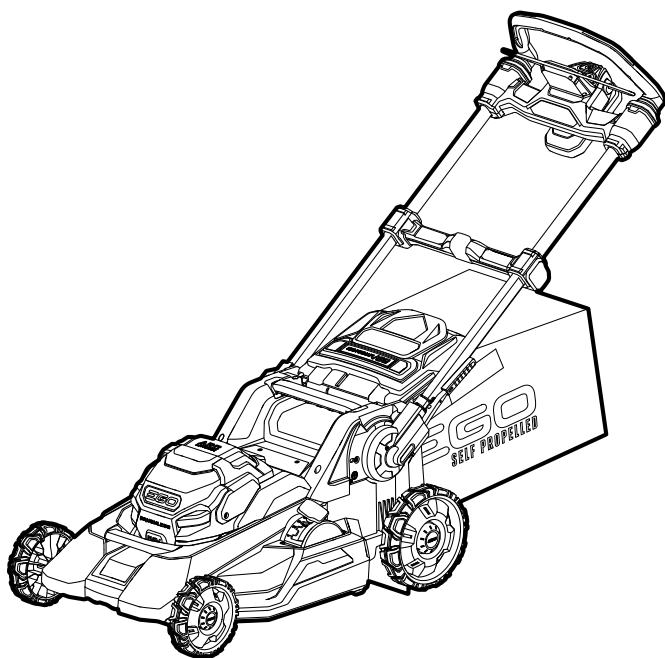


# EGO™

POWER<sup>+</sup> MOWER



OPERATOR'S MANUAL

## 56-VOLT LITHIUM-ION CORDLESS MOWER

MODEL NUMBER LM2160SP/LM2160SP-FC

Français p. 61

Español p. 127

**⚠ WARNING:** To reduce the risk of injury, the user must read and understand the Operator's Manual before using this product. Save these instructions for future reference.

## TABLE OF CONTENTS

Safety Symbols .....	3
Safety Instructions.....	4-5
Safety Rules for Cordless Lawn Mower.....	6-12
Introduction .....	12
Specifications .....	13-14
Packing List.....	14
Accessories .....	15
Description .....	16-19
Assembly.....	20-32
Operation.....	33-46
Maintenance .....	47-54
Troubleshooting.....	55-57
Warranty .....	58-59

## SAFETY SYMBOLS

The purpose of safety symbols is to attract your attention to possible dangers. The safety symbols and the explanations with them deserve your careful attention and understanding. The symbol warnings do not, by themselves, eliminate any danger. The instructions and warnings they give are no substitutes for proper accident prevention measures.

**⚠ WARNING:** Be sure to read and understand all safety instructions in this Operator's Manual, including all safety alert symbols such as "**DANGER**," "**WARNING**," and "**CAUTION**" before using this tool. Failure to follow all instructions listed below may result in electric shock, fire, and/or serious personal injury.

### SYMBOL MEANING

**⚠ SAFETY ALERT SYMBOL:** Indicates **DANGER**, **WARNING**, or **CAUTION**. May be used in conjunction with other symbols or pictographs.



**⚠ WARNING:** The operation of any power tools can result in foreign objects being thrown into your eyes, which can result in severe eye damage. Before beginning power tool operation, always wear safety goggles or safety glasses with side shields and a full face shield when needed. We recommend a Wide Vision Safety Mask for use over eyeglasses or standard safety glasses with side shields. Always use eye protection which is marked to comply with ANSI Z87.1.

# SAFETY INSTRUCTIONS

This page depicts and describes safety symbols that may appear on this product. Read, understand, and follow all instructions on the machine before attempting to assemble and operate.

	<p>Safety Alert</p>	<p>Indicates a potential personal injury hazard.</p>
	<p>Eye Protection</p>	<p>Always wear safety goggles or safety glasses with side shields and a full face shield when operating this product.</p>
	<p>Read &amp; Understand Operator's Manual</p>	<p>To reduce the risk of injury, user must read and understand operator's manual before using this product.</p>
	<p>Maintain Safety Devices</p>	<p>Do not open or remove safety shields while the tool is running.</p>
	<p>Look Behind While Backing</p>	<p>Look down and behind first to avoid tripping when pulling back.</p>
	<p>DANGER — Keep Hands and Feet Away</p>	<p>To reduce the risk of injury, keep hands and feet away from rotating parts. Do not operate unless discharge cover or grass bag is in its proper place. If damaged, replace immediately.</p>
	<p>DANGER — Keep Bystanders Away</p>	<p>Do not mow when children or others are around.</p>
	<p>DANGER — Thrown Debris</p>	<p>Remove objects that can be thrown by the blade in any direction. Wear safety glasses.</p>

	DANGER — Steep Slope Hazard	Use extra caution on slopes. Do not mow slopes greater than 15 degrees.
	Recycle Symbol	This product uses lithium-ion (Li-ion) batteries. Local, state, or federal laws may prohibit disposal of batteries in ordinary trash. Consult your local waste authority for information regarding available recycling and/or disposal options.
V	Volt	Voltage
	Direct Current	Type or a characteristic of current
mm	Millimeter	Length or size
in.	Inch	Length or size
kg	Kilogram	Weight
lb	Pound	Weight
L	Liter	Volume
bu	Bushel	Volume
min	Minutes	Time
$n_0$	No Load Speed	Rotational speed, at no load
RPM	Revolutions Per Minute	Rotational speed
°C	Degrees Celsius	Temperature
°F	Degrees Fahrenheit	Temperature

**⚠ WARNING:** To ensure safety and reliability, all repairs should be performed by a qualified service technician.

## SAFETY RULES FOR CORDLESS LAWN MOWER

**⚠ DANGER:** This machine was built to be operated according to the rules for safe operation included in this manual. As with any type of power equipment, carelessness or error on the part of the operator can result in serious injury. This machine is capable of amputating hands and feet and throwing objects. Failure to observe all safety instructions could result in serious injury or death.

**⚠ WARNING:** When using electric lawn mowers, basic safety precautions should always be followed to reduce the risk of fire, electric shock, and personal injury. These basic precautions include the following:

### CHILDREN

Tragic accidents can occur if the operator is not alert to the presence of children. Children are often attracted to the mower and mowing activity. They do not understand the dangers. Never assume that children will remain where you last saw them.

- Keep children out of the mowing area and under the watchful care of a responsible adult other than the operator.
- Be alert and turn the mower off if a child enters the area.
- Use extreme care when approaching blind corners, doorways, shrubs, trees, or other objects that may obscure your vision of a child who may run into the mower.
- Never allow children under 14 years old to operate a power mower. Children 14 years old and over should read and understand the operation instructions and safety rules in this manual and should be trained and supervised by a parent. Only responsible individuals who are familiar with these rules of safe operation should be allowed to use this machine.

### OPERATION

#### GENERAL OPERATION:

- Read this operator's manual carefully in its entirety before attempting to assemble this machine. Read, understand, and follow all instructions on the machine and in the manuals before operation. Be completely familiar with the controls and proper use of this machine before operating it. Keep this manual in a safe place for future and regular reference and for ordering replacement parts.

- **Stay Alert** – Watch what you are doing. Use common sense. Do not operate lawn mower when you are tired.
- Do not operate the machine while under the influence of alcohol or drugs.
- **Keep Children Away** – All visitors should be kept a safe distance from work area.
- Keep hands and feet away from cutting area.
- Don't use in rain.
- **Use the right appliance** – Do not use the lawn mower for any job except that for which it is intended. Your lawn mower has been designed to perform only one job: to mow grass.
- **Don't overreach** – Keep proper footing and balance at all times.
- **Objects struck by the lawn mower blade can cause severe injuries to persons.** The lawn should always be carefully examined and cleared of all objects prior to each mowing.
- **Before and while moving backwards with the mower, look behind and down for small children and other people.**
- **Don't force the lawn mower** – it will do the job better and more safely at the rate for which it was designed.
- **Plan your mowing pattern to avoid discharge of material toward roads, sidewalks, bystanders and the like.** Also, avoid discharging material against walls or obstructions, which may cause discharged material to ricochet back toward the operator.
- **To help avoid blade contact or an injury from thrown objects, stay in the operator zone behind the handles and keep children, bystanders, helpers and pets at least 100 feet (30m) from the mower while it is in operation.** Stop the machine if anyone enters the area.
- **Always wear safety glasses or safety goggles during operation and while performing an adjustment or repair to protect your eyes.** Thrown objects that ricochet can cause serious injury to the eyes. Always use a face or dust mask if the operation is dusty.
- **Dress properly** – Do not wear loose clothing or jewelry. They can be caught in moving parts. Use of rubber gloves and footwear is recommended when working outdoors. Wear sturdy, rough-soled work shoes and close-fitting pants and shirts. Shirts and pants that cover the arms and legs and steel-toed shoes are recommended. Never operate this machine in bare feet, sandals, slippery or lightweight (e.g., canvas) shoes.

- Never pull the mower back toward you while you are walking. If you must back the mower away from a wall or obstruction, first look down and behind you to avoid tripping, and then follow these steps:
  - Step back from mower to fully extend your arms.
  - Be sure you are well balanced with sure footing.
  - Pull the mower back slowly, no more than half way toward you.
  - Repeat these steps as needed.
- Keep the area of operation clear of all bystanders, particularly small children. Stop the machine and attachment(s) if anyone enters the area.
- The motor/blade control handle is a safety device. Never attempt to bypass its operation. Doing so makes the safety device inoperative and may result in personal injury through contact with the rotating blade. The motor/blade control handle must operate easily in both directions and automatically return to the disengaged position when released.
- Avoid dangerous environments – Don't use lawn mowers in damp or wet locations so as to avoid slipping and falling during operation.
- Always be sure of your footing. A slip and fall can cause serious personal injury. If you feel you are losing your footing, release the motor/blade control handle immediately and the blade will stop rotating within three seconds.
- Mow only in daylight or good artificial light. Walk, never run while operating.
- Stop the blade when crossing gravel drives, walks or roads.
- If the equipment should start to vibrate abnormally, immediately stop the motor, remove the battery and check for the cause. Vibration is generally a warning of trouble.
- Keep clear of the discharge opening at all times.
- Before cleaning the machine, unclogging the chute or removing or replacing the grass bag, mulching insert, or side discharge chute, turn the motor off and wait until the blade comes to a complete stop, then remove the battery pack. The cutting blade continues to rotate for a few seconds after the motor is shut off. Never place any part of the body in the blade area until you are sure the blade has stopped rotating.
- Never operate the mower without the proper trailing shield, discharge door, grass bag, mulching insert, side discharge chute, motor/blade control handle or other safety protective devices in place and working. Never operate the mower with damaged safety devices. Failure to do so can result in personal injury.
- If situations occur that are not covered in this manual, use care and good judgment. Contact EGO Customer Service for assistance.



- Prevent unintentional starting. Ensure the switch is in the off-position before connecting to battery pack, picking up or carrying the appliance. Carrying the appliance with your finger on the switch or energizing appliance that have the switch on invites accidents.
- Disconnect the battery pack from the appliance before making any adjustments, changing accessories, or storing appliance. Such preventive safety measures reduce the risk of starting the appliance accidentally.
- Recharge only with the charger specified by the manufacturer. A charger that is suitable for one type of battery pack may create a risk of fire when used with another battery pack.
- Use appliances only with specifically designated battery packs. Use of any other battery packs may create a risk of injury and fire.

BATTERY PACK	CHARGER
BA1400, BA1400-FC, BA2240T, BA2240T-FC, BA2800, BA2800-FC, BA4200, BA4200-FC, BA1400T, BA1400T-FC, BA2800T, BA2800T-FC, BA4200T, BA4200T-FC, BA5600T, BA5600T-FC, BA2242T, BA2242T-FC, BA6720T, BA6720T-FC, BA3360T, BA3360T-FC	CH2100, CH2100-FC CH5500, CH5500-FC CH2800D, CH2800D-FC CH7000, CH7000-FC CH3200, CH3200-FC

- When battery pack is not in use, keep it away from other metal objects, like paper clips, coins, keys, nails, screws or other small metal objects that can make a connection from one terminal to another. Shorting the battery terminals together may cause burns or a fire.
- Under abusive conditions, liquid may be ejected from the battery; avoid contact. If contact accidentally occurs, flush with water. If liquid contacts eyes, additionally seek medical help. Liquid ejected from the battery may cause irritation or burns.
- Do not use a battery pack or appliance that is damaged or modified. Damaged or modified batteries may exhibit unpredictable behavior resulting in fire, explosion or risk of injury.
- Do not expose a battery pack or appliance to fire or excessive temperature. Exposure to fire or temperature above 130°C may cause explosion.
- Follow all charging instructions and do not charge the battery pack or appliance outside of the temperature range specified in the instructions. Charging improperly or at temperatures outside of the specified range may damage the battery and increase the risk of fire.

- Have servicing performed by a qualified repair person using only identical replacement parts. This will ensure that the safety of the product is maintained.
- Do not modify or attempt to repair the appliance or the battery pack except as indicated in the instructions for use and care.

## **OPERATION ON A SLOPE:**

Slopes are a major factor related to slip-and-fall accidents, which can result in severe injury. Operation on slopes requires extra caution. If you feel uneasy on a slope, do not mow it. For your safety, use the slope gauge in this manual to measure slopes before operating this unit on a sloped or hilly area. If the slope is greater than 15 degrees, do not mow it.

Before cleaning the machine, unclogging the chute or removing or replacing the grass bag, mulching insert, or side discharge chute, turn the motor off and wait until the blade comes to a complete stop, then remove the battery pack. The cutting blade continues to rotate for a few seconds after the motor is shut off. Never place any part of the body in the blade area until you are sure the blade has stopped rotating it.

Do not operate machine under any condition where stability is in question. Tires could slide even if the wheels are stopped.

Use extra care while operating machine with a grass catcher. They can affect the stability of the machine.

### **Do:**

- Mow across the face of slopes; never mow up and down. Exercise extreme caution when changing direction on slopes.
- Watch for holes, ruts, rocks, hidden objects, or bumps which can cause you to slip or trip. Tall grass can hide obstacles.

### **Do not:**

- Do not mow near drop-offs, ditches or embankments; you could lose your footing or balance.
- Do not mow slopes greater than 15 degrees, as shown on the slope gauge.
- Do not mow on wet grass. Unstable footing could cause slipping.

## SERVICE

**⚠ WARNING:** Grass bag components, the discharge door, side discharge chute, mulching insert, and trailing shield are subject to wear and damage, which could expose moving parts or allow objects to be thrown and could increase the risk of injury. For safety protection, frequently check all components and replace damaged components immediately with identical EGO replacement parts.

- If the mower's built-in overload protection switch frequently trips, contact EGO Customer Service or your closest EGO service center.
- Do not wash the mower with a hose; avoid getting water in the motor and electrical connections.
- Remove the battery and store the idle lawn mower in a covered area when not in use. Allow the motor to cool before storing it in any enclosure. The lawn mower should be stored in a dry, high, or locked-up enclosure, out of reach of children.
- When servicing, use only identical EGO replacement parts. Use of parts that do not meet the original equipment specifications may lead to improper performance and compromised safety.
- Remove or disconnect the battery pack before servicing, cleaning, or removing material from the lawn mower.
- Follow instructions for lubricating and changing accessories.
- Keep handles dry, clean and free from oil and grease.
- To reduce a fire hazard, keep the motor cover free of grass, leaves and debris build-up.
- Check the blade and motor mounting bolts at frequent intervals for proper tightness. Also, visually inspect the blade for damage (e.g., bending, cracking and wear.). Replace the blade only with the identical EGO replacement blade, as listed in section "**ACCESSORIES**" in this manual.
- Maintain your mower with care – keep the mower blade sharp and clean for the best and safest performance. Mower blades are sharp and can cut. Wrap the blade or wear gloves and use extra caution when servicing it.
- Keep all nuts, bolts, and screws tight to be sure the equipment is in safe working condition.
- Never remove or tamper with safety devices. Regularly check their proper operation. Never do anything to interfere with the intended function of a safety device or to reduce the protection provided by a safety device.

- Always stop the motor before making adjustments to a wheel or a cutting-height adjustment.
- After striking a foreign object, stop the motor, remove the battery pack, allow the blade to stop rotating, and thoroughly inspect the mower for any damage. Repair the damage before operating the mower.
- Maintain or replace safety and instruction labels, as necessary.
- Do not expose a battery pack or tool to fire or excessive temperature. Exposure to fire or temperature above 212 °F (100°C) may cause explosion.
- **SAVE THESE INSTRUCTIONS.** Refer to them frequently and use them to instruct others who may use this tool. If you lend this tool to someone else, also lend these instructions to them to prevent misuse of the product and possibly injury.

## INTRODUCTION

Congratulations on your selection of a new generation of 56V Lithium-ion powered lawn mower. It has been designed, engineered and manufactured to give you the best possible dependability and performance.

Should you experience any problem you cannot easily remedy, **please contact EGO customer service center 1-855-EGO-5656.**


This manual contains important information on the safe assembly, operation and maintenance of your mower. Read it carefully before using the mower. Keep this manual handy so you can refer to it at any time.

SERIAL NUMBER \_\_\_\_\_ DATE OF PURCHASE \_\_\_\_\_

THE MODEL AND SERIAL NUMBERS WILL BE FOUND ON A LABEL ATTACHED ON THE REAR DISCHARGE DOOR.

YOU SHOULD RECORD BOTH SERIAL NUMBER AND DATE OF PURCHASE AND KEEP IN A SAFE PLACE FOR FUTURE REFERENCE

# SPECIFICATIONS

Model Number	LM2160SP/LM2160SP-FC																
Self-Propel System	Yes																
Voltage	56 V 																
Blade Speed Mode	TURBO MODE																
	NORMAL MODE																
	ECO MODE																
Approximate Cutting-Height Setting	<table><tr><td>1</td><td>1 in (25 mm)</td></tr><tr><td>2</td><td>1-3/8 in (35 mm)</td></tr><tr><td>3</td><td>1-11/16 in (43 mm)</td></tr><tr><td>4</td><td>2 in (53 mm)</td></tr><tr><td>5</td><td>2-1/2 in (66 mm)</td></tr><tr><td>6</td><td>3 in (79 mm)</td></tr><tr><td>7</td><td>3-1/2 in (92 mm)</td></tr><tr><td>8</td><td>4 in (105 mm)</td></tr></table>	1	1 in (25 mm)	2	1-3/8 in (35 mm)	3	1-11/16 in (43 mm)	4	2 in (53 mm)	5	2-1/2 in (66 mm)	6	3 in (79 mm)	7	3-1/2 in (92 mm)	8	4 in (105 mm)
1	1 in (25 mm)																
2	1-3/8 in (35 mm)																
3	1-11/16 in (43 mm)																
4	2 in (53 mm)																
5	2-1/2 in (66 mm)																
6	3 in (79 mm)																
7	3-1/2 in (92 mm)																
8	4 in (105 mm)																
Deck Size	21 in (531 mm)																
Grass Bag Volume	2.0 bu (70 L)																
Mower Weight (Without battery pack; with mulching insert)	59 lbs. (28.6 kg)																
Operating Temperature	32°F–104°F (0°C–40°C)																
Storage Temperature	-4°F–158°F (-20°C–70°C)																



## Approximate Runtime

	LM2160SP/LM2160SP-FC with BA6720T/BA6720T-FC
ECO Mode	105 min.
Normal Mode	90 min.
Turbo Mode	80 min.

**NOTICE:** The actual runtime will vary with grass condition: species, density, moisture, etc.

## Tips on Maximizing the Runtime

To get more out of your EGO mower, please follow these rules:

- Use the Extended Runtime lower blade.
- Cut no more than 1.5 inch (38 mm) of grass in one pass.
- Move the mower at a moderate pace.
- Do not cut wet grass.
- Make sure the blades are sharp.
- Make sure that the underside of the deck is clean.

## PACKING LIST

PART NAME	QUANTITY
Lawn Mower	1
Grass Bag	1
Grass-Bag Frame	1
Mulching Insert (pre-install in the mower)	1
Side-Discharge Chute	1
Operator's Manual	1
EGO Extended Runtime Lower Blade	1
EGO High-Lift Bagging Lower Blade	1
Phone Holder Assembly	1

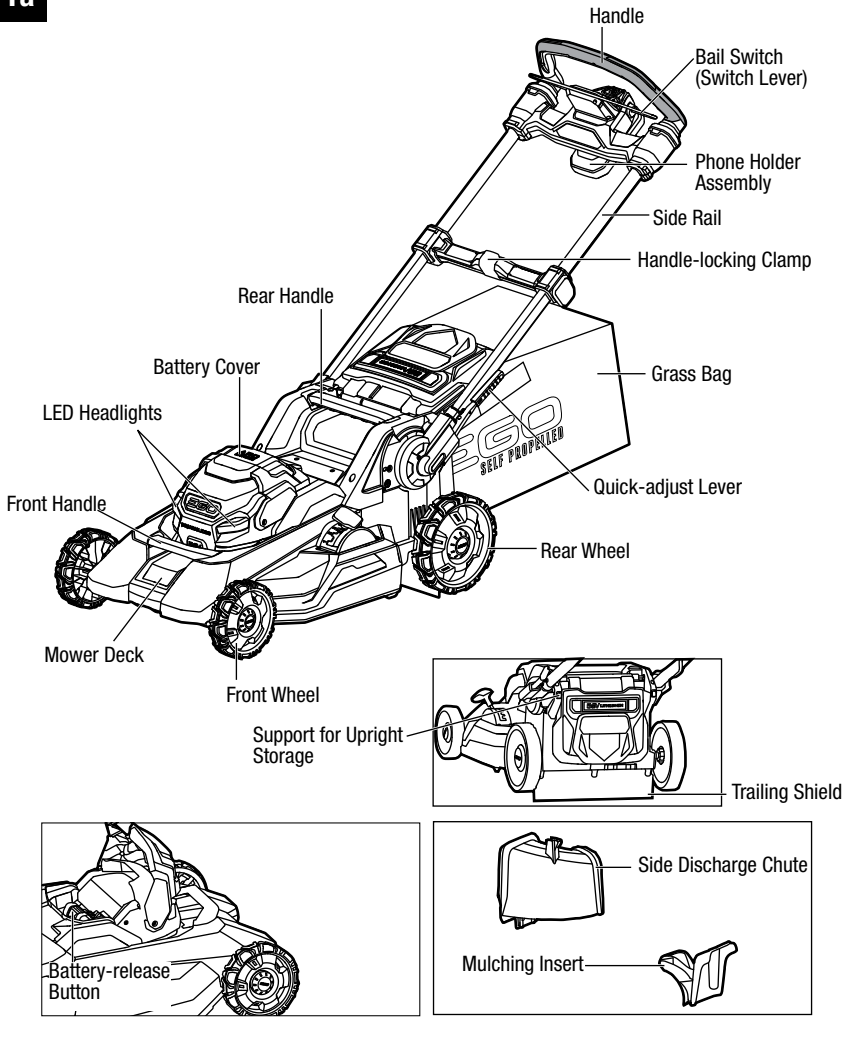
## ACCESSORIES

**⚠ WARNING:** The following part is expected to be worn out from normal use. Use only identical replacement parts listed below. Use of parts that do not meet the original equipment specifications may lead to improper performance and compromised safety.

PART NAME	MODEL NUMBER
EGO Extended Runtime Blade Set	AB2100D
EGO Mulching Blade Set	AB2101D
EGO High-Lift Bagging Blade Set	AB2102D

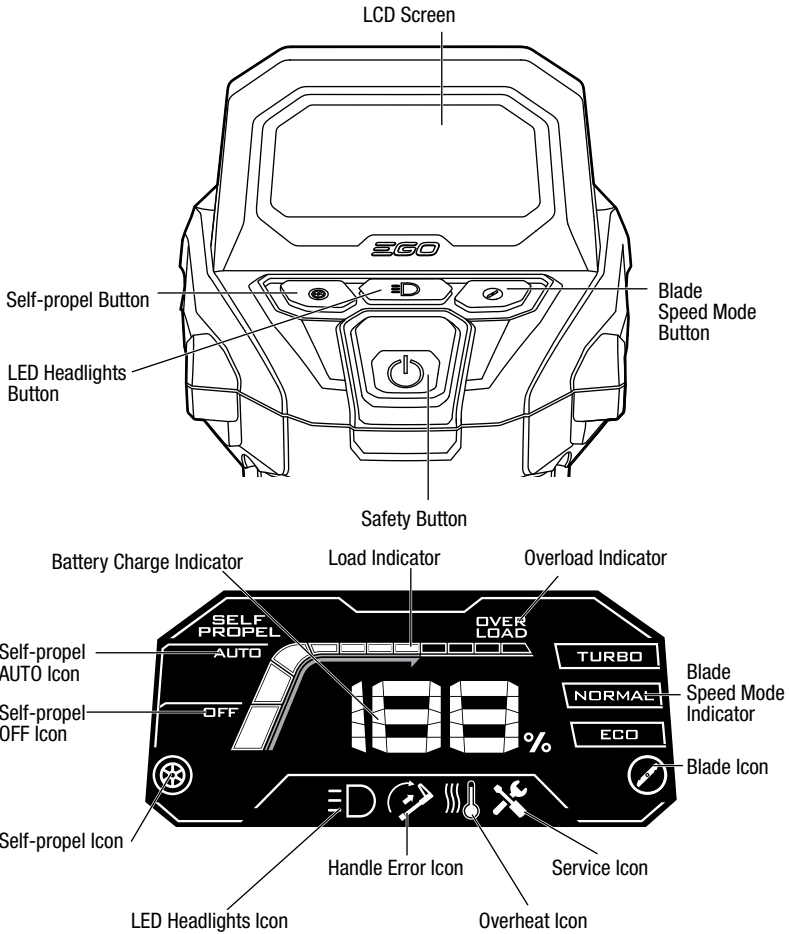
## DESCRIPTION

1a





1b



**⚠ WARNING:** The safe use of this product requires an understanding of the information on the tool and in this operator's manual, as well as knowledge of the project you are attempting. Before use of this product, familiarize yourself with all operating features and safety rules.

## **SAFETY BUTTON**

- When pressed briefly, the LCD screen will turn on and display the battery charge level.
- The safety button must be pressed before the motor can be started.

## **BAIL SWITCH**

Engages and disengages the motor/blade.

## **SELF-PROPEL BUTTON**

Turns the self-propel function ON and OFF. The adaptive self-propel system of your mower automatically slows or increases the speed of your mower based on your pace.

## **BLADE-SPEED MODE BUTTON**

Allows the user to select the blade speed mode, depending on grass conditions.

## **HANDLE-LOCKING CLAMP**

Locks/unlocks the side rails in the extended or the recessed position.

## **SIDE RAILS**

Can be extended and locked for operation or recessed for storage.

## **TRAILING SHIELD & REAR DISCHARGE DOOR**

The trailing shield is designed to minimize stones or other objects being thrown backward by the mower blade. The shield and the rear discharge door minimize the possibility of accidental foot contact with the blade. **DO NOT** operate the mower without the trailing shield and rear discharge door in place.

## **QUICK-ADJUST LEVER**

Locks/unlocks the handle position when adjusting the angle of the mower handle:

1. Locked Storage Position
2. Grass Bag Attachment/Removal Position
3. Upper Operating Position
4. Middle Operating Position
5. Lower Operating Position

## **LED HEADLIGHTS**

The LED headlights are located on the front of the mower. This feature provides extra light for increased visibility.

## **CUTTING-HEIGHT-ADJUSTMENT LEVER**

The lever is spring-loaded for quick, one-handed cutting-height adjustment.

## **ELECTRIC BRAKE**

Quickly stops blade rotation when the bail switch is released.

## **LOAD INDICATOR**

Indicates the current load of the mower.

## **OVERLOAD INDICATOR**

The icon will blink when the mower is overloaded.

## **LED HEADLIGHTS ICON**

Illuminates when the LED headlights have been turned on.

## **HANDLE ERROR ICON**

Illuminates when the handle is not in operation position or not fully extended.

## **OVERHEAT ICON**

Illuminates when the mower is overheated.

## **SERVICE ICON**

Illuminates when the mower electronics error occurs.

## ASSEMBLY

**⚠ WARNING:** To prevent accidental starting that could cause serious personal injury, always remove the battery pack from the tool when assembling parts.

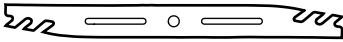
**⚠ WARNING:** Do not attempt to modify this tool or create accessories not recommended for use with this mower. Any such alteration or modification is misuse and could result in a hazardous condition leading to serious injury.

## UNPACKING

- First remove all the accessories from the carton, then grasp the front handle and rear handle at the same time to carefully lift the mower up and out of the carton.
- Make sure that all items listed in the "PACKING LIST" are included.
- Inspect the product carefully to make sure that no breakage or damage occurred during shipping.
- Do not discard the packing material until you have carefully inspected and satisfactorily operated the mower.
- If any parts are damaged or missing, please return the mower to the place of purchase.

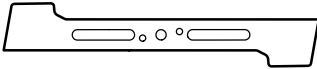
## SELECT CUT™ CUTTING SYSTEM

The **Select Cut™** multi-blade cutting system lets you use one of the three interchangeable lower blades: the **Mulching Lower Blade**, and the **High-Lift Bagging Lower Blade** and the **Extended Runtime Lower Blade**.



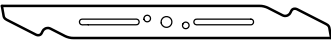
The **Mulching Lower Blade** is specifically designed for premium mulching performance. This heavy-duty blade turns grass into fine fragments. Your mower is shipped with this blade already installed.

**NOTE:** using this blade will affect the runtime compared to using the Extended Runtime lower blade.



The **High-Lift Bagging Lower Blade** is specifically designed to provide extra suction ideal for bagging, leaving your yard free of clippings.

**NOTE:** using this blade will affect the runtime compared to using the Extended Runtime lower blade.



The **Extended Runtime Lower Blade** provides an optimal balance of cut quality and runtime for all around performance.

The **EGO EDGE Upper Blade** is used in combination with the lower blade chosen to slice the grass into fine fragments and greatly enhances cutting performance.

**⚠ WARNING:** Both Upper AND Lower blades must be installed. The mower will not operate with only one blade installed.

**NOTE:** To maximize the runtime, please refer to "**Tips on Maximizing the Runtime**" chapter in "**SPECIFICATIONS**" section.

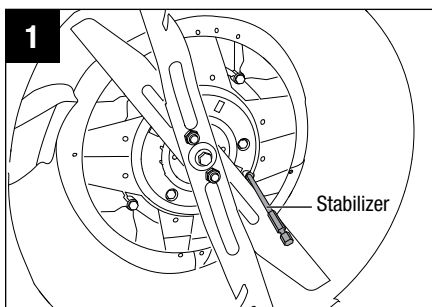
## REMOVING THE BLADES

**⚠ WARNING:** Always protect your hands by wearing heavy gloves or wrapping the cutting edges with rags or other materials when performing any maintenance on the mower blades. Always remove the battery pack when servicing or transporting the mower.

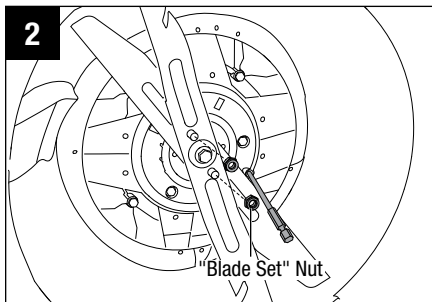
**NOTICE:** The following tools (not included) are required for replacement of the blades:

- 9/16" (14 mm) or adjustable wrench (impact wrench with 9/16" socket is recommended);
- 11/16" (17 mm) or adjustable wrench (impact wrench with 11/16" socket is recommended).
- Torque wrench with 9/16" (14mm) and 11/16" (17mm) sockets;
- Manual screwdriver or metal rod with a diameter of 5/16" (8 mm).
- Manual screwdriver or metal rod with a diameter of 1/4" (6.35 mm).

1. Stop the motor; remove the battery pack from the mower.
2. Turn the mower on its side.
3. Wear protective gloves. Insert a manual screwdriver or metal rod,  $\varnothing 5/16"$  (8 mm) or slightly less in the stabilizer hole. This will prevent the blades from rotating while loosening the bolt/nuts (Fig. 1).



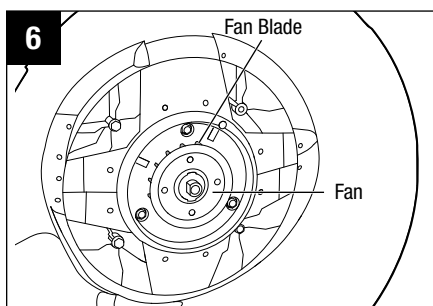
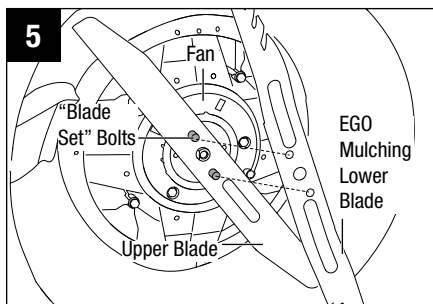
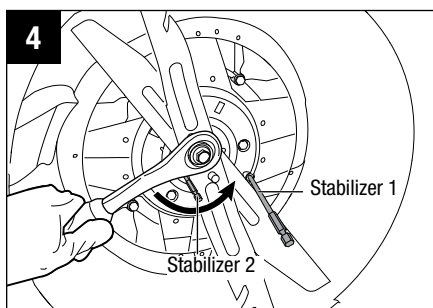
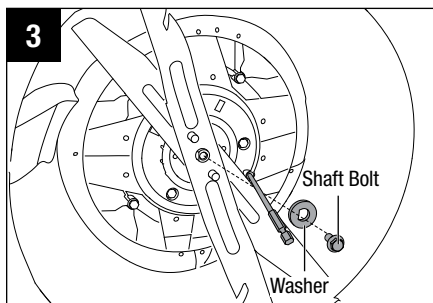
4. Use a 11/16" (17mm) wrench to loosen and remove the two 11/16" "Blade Set" nuts (Fig. 2). **SAVE THE TWO NUTS FOR LATER BLADES REASSEMBLY.**



- Use a 9/16" (14mm) wrench to loosen and remove the 9/16" shaft bolt and washer (Fig. 3).

**NOTICE:** If the shaft bolt rotates with the motor shaft during loosening, place another metal rod (e.g., a 3.5" long screw bit) with diameter less than  $\varnothing 1/4"$  (6.35mm) into the smaller hole in the fan to act as another stabilizer (Fig. 4).

- Remove the EGO Mulching Lower Blade and the Upper Blade from the motor shaft in sequence (Fig. 5). Remove the two "Blade Set" bolts from the upper blade. **SAVE THE TWO BOLTS FOR LATER BLADE REASSEMBLY.**
- Leave the fan on the motor shaft. Be sure that the fan blade is facing towards the deck (Fig. 6).



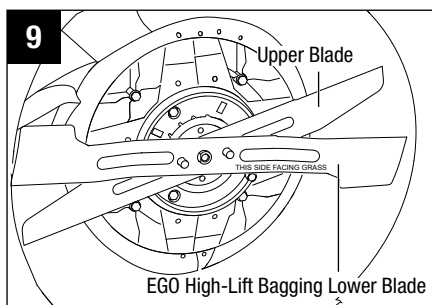
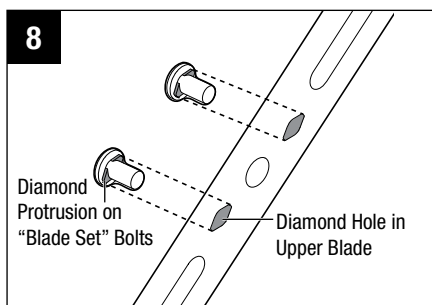
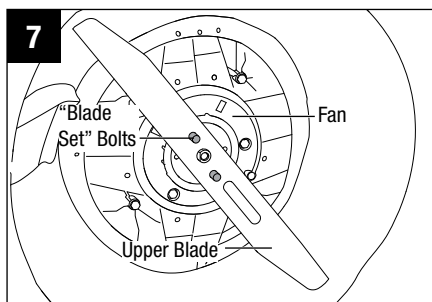
## INSTALLING THE BLADES

**NOTICE:** To re-install or replace the blade(s), be sure to assemble the parts in the exact order in which they were removed, especially **ensuring that the statements “THIS SIDE FACING DECK” on the upper blade is facing toward the mower deck and “THIS SIDE FACING GRASS” on lower blade is facing toward the outside.**

1. Wear protective gloves.
2. Insert the two "Blade Set" bolts into the upper blade from the side that states "**THIS SIDE FACING DECK**" and then position the upper blade onto the motor shaft (Fig. 7).

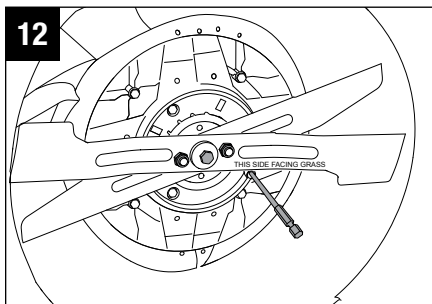
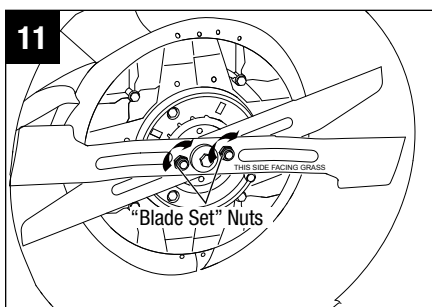
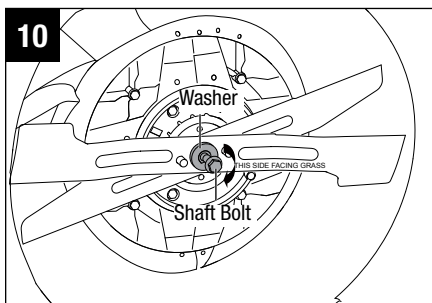
**NOTICE:** The diamond protrusion on the "Blade Set" bolts should be aligned with the diamond hole in the upper blade (Fig. 8).

3. Depending on the desired, mount the chosen lower blade onto the motor shaft (refer to the chapter "**SELECT CUT™ CUTTING SYSTEM**" in this manual). Fig. 9 is illustrating EGO High-Lift Bagging Lower Blade mounting.



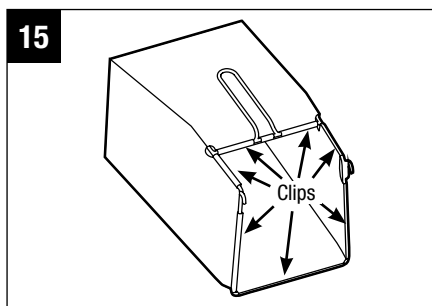
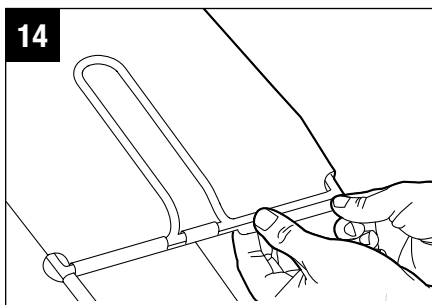
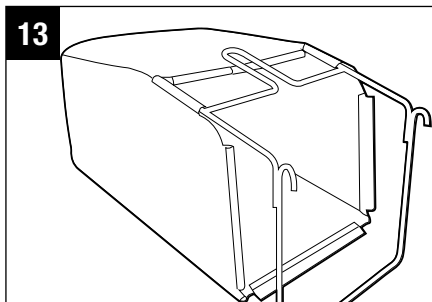


4. Install the washer and shaft bolt onto the motor shaft and turn the shaft bolt **CLOCKWISE** by hand to pre-tighten it (Fig. 10).
5. Install the "Blade Set" nuts into the "Blade Set" bolts and turn them **CLOCKWISE** by hand to pre-tighten them (Fig. 11).
6. Insert a manual screwdriver or metal rod  $\varnothing 5/16"$  (8 mm) or slightly less in the stabilizer hole. This will prevent the blades from rotating while tightening the bolt/nuts (Fig. 12).
7. Use a  $9/16"$  (14 mm) torque wrench to tighten the shaft bolt **CLOCKWISE**. The recommended torque for the blade bolt is 36-43 ft-lb (49-59 Nm).
8. Use a  $11/16"$  (17 mm) torque wrench to tighten the "Blade Set" nuts **CLOCKWISE**. The recommended torque for the blade bolt is 22 ft-lb (30 Nm).



## ASSEMBLING THE GRASS BAG

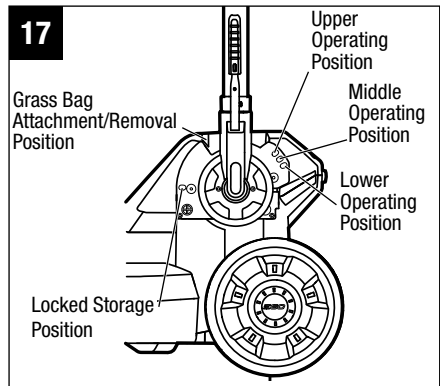
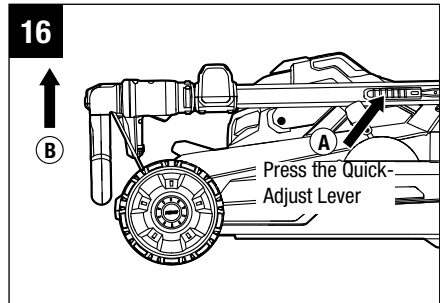
1. Check the grass bag before assembling, to make sure that there is no damage.
2. Slide the grass bag onto the frame, as shown in Fig. 13.
3. Assemble the top clips to the frame, as shown in Fig. 14, then assemble the two side clips. Assemble the bottom clip last.
4. The completely assembled grass bag is shown in Fig. 15.



## ADJUSTING THE FOLDABLE HANDLE

**⚠ WARNING:** Do not attempt to start the mower until the handle has been locked at one of the three preset operating positions. (UPPER OPERATING POSITION, MIDDLE OPERATING POSITION and LOWER OPERATING POSITION).

1. **LOCKED STORAGE POSITION:** Your mower is shipped with the handle in the compact, locked position (Fig. 16).
2. **GRASS BAG ATTACHMENT/REMOVAL POSITION:** Press and hold the quick-adjust lever with one hand to release the handle from the locked storage position. Begin to lift the handle from its folded position with your other hand, and then release the lever (Fig. 16). Gently pivot the handle upward until you hear and feel the lock pin engage in the first position (Fig. 17). This position allows easy access to install and remove the grass bag.

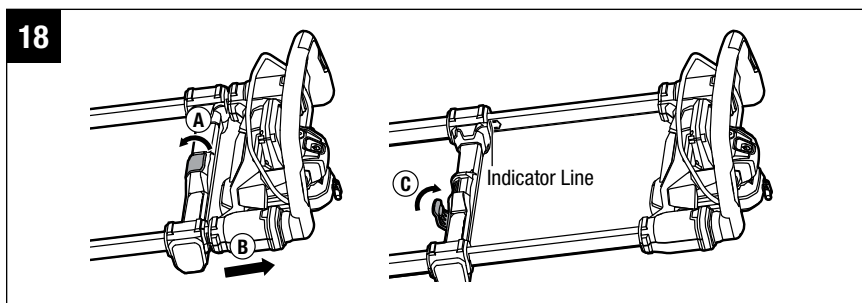


3. **UPPER OPERATING POSITION:** Lift the handle with one hand. Gently pivot the handle backward until you hear and feel the lock pin engage in the Upper Operating Position. Fully extend the side rails and securely close the handle-locking clamp (Fig. 18). Taller users may prefer this position.
4. **MIDDLE OPERATING POSITION:** Press and hold the quick-adjust lever with one hand to release the handle from the upper operating position. Begin to lower the handle with your other hand, and then release the lever. Gently pivot the handle downward until you hear and feel the lock pin engage in the Middle Operating Position. Fully extend the side rails and securely close the handle-locking clamps (Fig. 18).
5. **LOWER OPERATING POSITION:** Press and hold the quick-adjust lever with one hand to release the handle from the middle operating position. Begin to lower the handle with your other hand, and then release the lever. Gently pivot the handle downward until you hear and feel the lock pin engage in the Lower Operating Position. Fully extend the side rails and securely close the handle-locking clamp (Fig. 18).

**NOTE:** The motor and self-propel system cannot be started unless:

- a) The side rails are fully extended.
- b) The green handle-locking clamp is securely closed.
- c) The handle is locked into one of the three operating positions.

The handle error icon (🚨) will light up on the LCD screen as a reminder to properly set the handle in one of the operating positions.

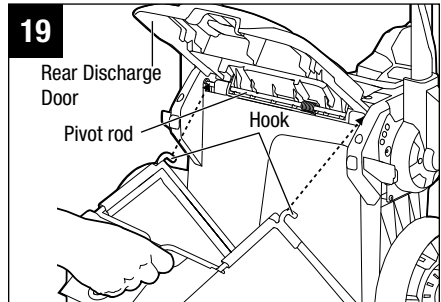


## ATTACHING/REMOVING THE GRASS BAG

**⚠ WARNING:** Do not at any time make any adjustment to the lawn mower without first stopping the motor, removing the battery pack, and waiting for until the blade has stopped rotating.

**NOTICE:** Remove the mulching insert or side-discharge chute before attaching the grass bag on the mower.

1. Remove the battery.
2. Adjust the handle to the Grass Bag Attachment/Removal Position (please see **ADJUSTING THE FOLDABLE HANDLE**).
3. Lift the rear-discharge door.
4. Hook the grass bag assembly on the pivot rod (Fig. 19). Release the discharge door so that it rests on the grass bag.
5. To remove the grass bag, lift the rear-discharge door on the mower. Lift the grass bag up and off of the pivot rod.
6. Release the discharge door.



**⚠ WARNING:** When using the grass bag, never operate the mower unless the hooks on the grass bag are firmly seated on the pivot rod and the rear-discharge door rests firmly against the top of the grass bag.

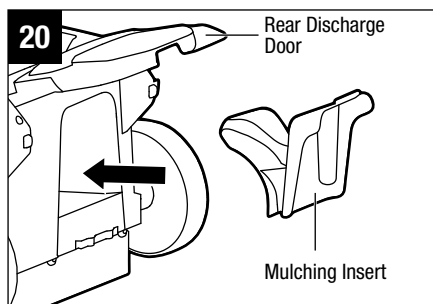
**⚠ WARNING:** Under normal usage, the grass bag material is subject to wear. To reduce the risk of injury, frequently inspect the bag assembly and replace the bag if there are any signs of wear or deterioration. Use only grass bags manufactured for this mower.

## ATTACHING/REMOVING THE MULCHING INSERT

**⚠ WARNING:** Do not at any time make any adjustment to the lawn mower without first stopping the motor, removing the battery pack, and waiting until the blade has stopped rotating.

1. Remove the battery.
2. Lift the rear-discharge door.
3. Grasp the handle of the mulching insert and fully insert it into the mower, so that it is securely seated (Fig. 20).
4. To remove the mulching insert, lift the rear-discharge door, grasp the handle of the mulching insert, and pull it out.
5. Release the discharge door and make sure it rests firmly against the mulching insert.

**NOTICE:** The mulching insert must be removed in order to install and use the grass bag and must be re-installed when the grass bag is removed.

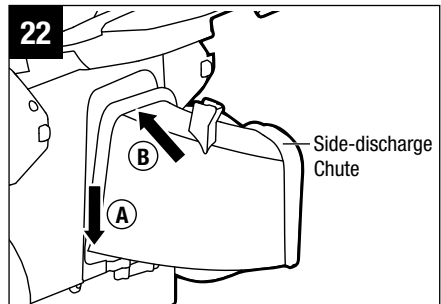
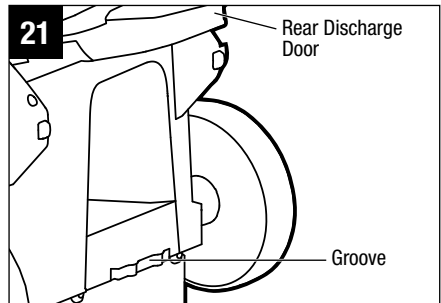


## ATTACHING/REMOVING THE SIDE-DISCHARGE CHUTE (Fig. 21 & 22)

**⚠ WARNING:** Do not at any time make any adjustment to the lawn mower without first stopping the motor, removing the battery pack and waiting until the blade has stopped rotating.

1. Remove the battery.
2. Lift the rear-discharge door.
3. Align the lower edge of the side-discharge chute with the groove of the doorsill and insert it into the slot.
4. Push the top of the side-discharge chute and insert it into the mower. Check to see that it is securely seated in the deck.
5. To remove the side-discharge chute, lift the rear-discharge door, grasp the side-discharge chute and pull it out.
6. Release the discharge door and make sure that it rests firmly against the side-discharge chute.

**NOTICE:** The side-discharge chute must be removed in order to install and use the grass bag or mulching insert.



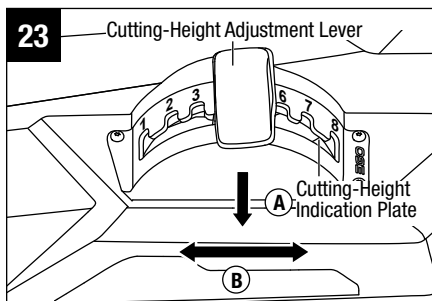
## CUTTING-HEIGHT ADJUSTMENT (Fig. 23)

**⚠ WARNING:** Do not at any time make any adjustment to the lawn mower without first stopping the motor, removing the battery pack, and waiting until the blade has stopped rotating.

**⚠ WARNING:** Keep your feet away from the deck when adjusting its height.

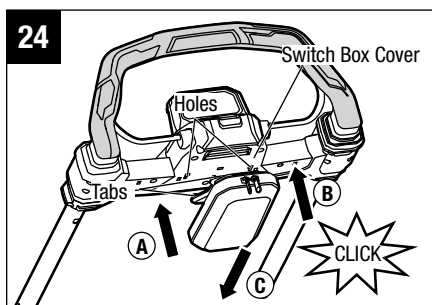
The mower can be set to 8 cutting heights between 1" (25mm) and 4" (105mm). Choose the proper cutting height according to the type and condition of the grass to be cut.

1. Use one hand to hold the aluminum side rails for stability and use the other hand to move the spring-loaded cutting-height-adjustment lever outwards from the slots in the cutting-height indication plate.
2. Move the cutting-height-adjustment lever toward the back of the mower for higher grass-cutting height; move it toward the front of the mower for lower grass-cutting height.
3. Once arriving at the desired cutting-height position, engage the spring-loaded cutting-height-adjustment lever back into the slot.



## ATTACHING THE PHONE HOLDER ASSEMBLY (Fig. 24)

1. Insert the lower two tabs on the phone holder assembly into the lower holes in the switch box cover, then insert the upper two tabs into the upper holes.
2. Push the phone holder assembly downward against the switch box cover until it engages with an audible “click”.





## OPERATION

### TO ATTACH/DETACH THE BATTERY PACK (Fig. 25)

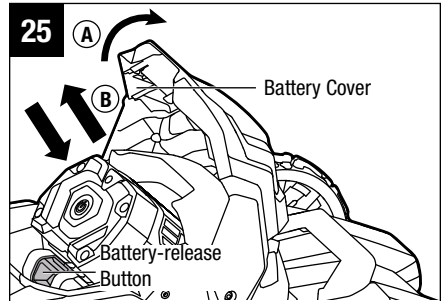
Charge the battery pack before first use.

**⚠ WARNING:** If any parts are broken or missing, do not attempt to attach the battery pack to the mower or operate the mower until the broken or missing parts are replaced. Failure to do so could result in serious injury.

1. The battery cover is hinged. Raise the battery cover by lifting the rear of the cover.
2. Align the grooves in the battery pack, with the raised ribs in the battery compartment, and then insert the battery pack into the compartment.
3. Push the battery pack until you hear a “click”. The battery-release button will spring up when the battery pack is securely attached.

**NOTICE:** Make sure that the latch on the mower snaps into place and that the battery pack is secured to the mower before starting operation.

4. To detach the battery pack, depress the battery-release button to release the battery pack, and then lift it out of the compartment.
5. Close the battery cover.



## SELECTING BLADE SPEED MODE

### Select Blade Speed Mode (Fig. 26)

The mower features three blade speed modes:

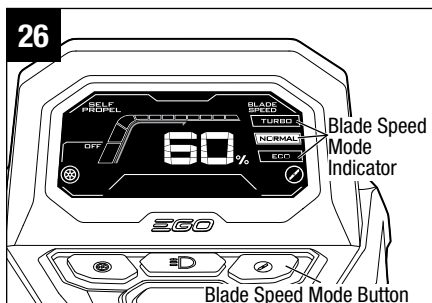
- **TURBO** mode is high blade speed mode for high-lift performance to improve suction force or cutting performance.
- **NORMAL** mode is the best balance between performance and runtime.
- **ECO** mode provides the lowest noise level and longest runtime from your battery pack.

**NOTE:** Higher blade speed will significantly affect runtime.

**NOTE:** The blade speed cannot be adjusted during operation. The change will take effect only the motor is stopped and started again.

Select among **TURBO**, **NORMAL** and **ECO** modes by sequentially pressing the blade speed mode button below the LCD screen.

**NOTE:** The default blade speed mode is **NORMAL**.



## STARTING/STOPPING THE MOWER

**⚠ WARNING:** The operation of any lawn mower can result in foreign objects being thrown into your or others' eyes, which can damage eyes severely. Always wear safety glasses while operating the mower or while performing any adjustments or repairs on the mower.

**⚠ WARNING:** Ensure that other people and pets remain at least 100 ft. (30 m) away from the mower when it is in use.

**NOTICE:** The blade will continue to rotate for a few seconds after the mower is turned off. Allow the motor/blade to stop rotating before starting it again. Do not rapidly turn the mower off and on.

**⚠ CAUTION:** Do not attempt to override the operation of the safety button and bail switch.

**NOTE:** The motor cannot be started unless:

- The side rails are fully extended.
- The green handle-locking clamp is securely closed.
- The handle is locked into one of the three operating positions.

### To start the mower

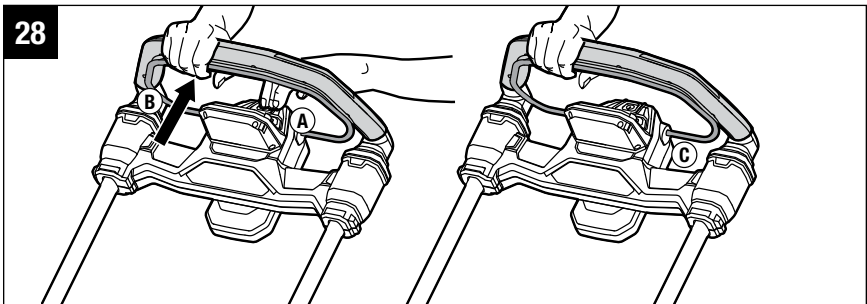
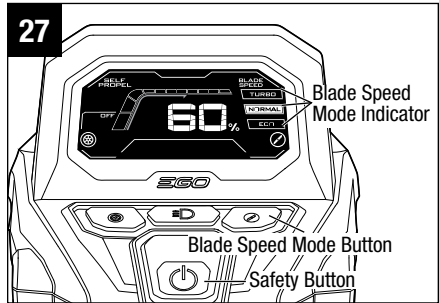
1. Attach the battery pack to the mower and close the battery cover.

**NOTICE:** Make sure that the latch on the mower snaps into place and that the battery pack is secured to the mower before operation.

2. Depress the safety button for 1 second to illuminate the LCD screen (Fig. 27).
3. Press the blade speed mode button to select the desired speed (Fig. 27), refer to the section "**Select Blade Speed Mode**" in this manual.

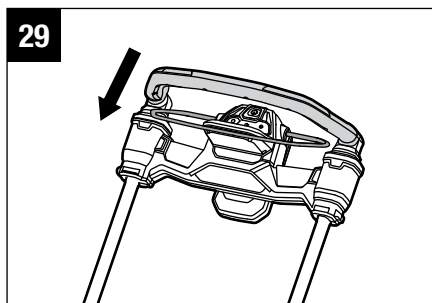
**NOTE:** The default blade speed mode is NORMAL.

4. Depress the safety button again.
5. With the safety button depressed, pull the bail switch against the handle, the mower will start. Release the safety button (Fig. 28).



## To stop the mower

1. Fully release the bail switch (Fig. 29).
2. The electric brake in the Automatic Braking Mechanism will stop the blade rotation within 3 seconds of the bail switch release.



## USING SELF-PROPEL SYSTEM

The adaptive self-propel system of your mower automatically slows or increases the speed of your mower based on your pace.

**NOTE:** The self-propel system cannot be started unless:

- The side rails are fully extended
- The green handle-locking clamp is securely closed
- The handle is locked into one of the three operating positions.

**NOTE:** The adaptive self-propel system will only work in the FORWARD direction. It will not work if you pull the mower towards you.

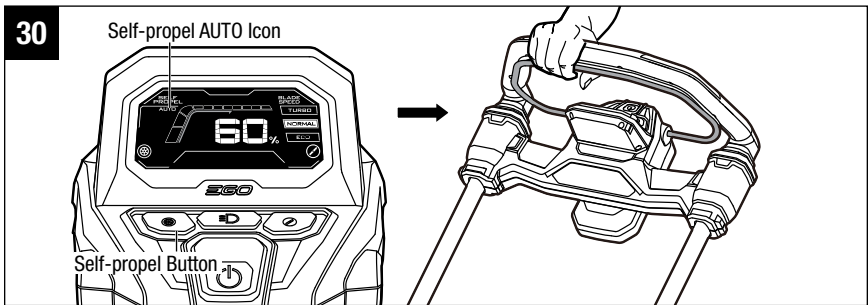
This system is independent of the blade rotation. For example, when you have completed cutting your lawn, you can use the self-propel to propel the mower back to your storage location without blade rotation. Or you may choose to operate the mower as a push mower to maximize battery runtime.

## To operate self-propel system without the blades rotating:

1. Press the self-propel button, the AUTO icon will FLASH on the LCD screen, the self-propel function is ready to be engaged.

**NOTE:** The default self-propel mode is OFF.

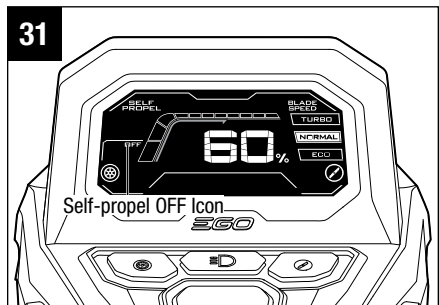
2. Pull the bail switch against the handle, and the AUTO icon will appear without flashing (Fig. 30)



3. Push the mower forward to start the self-propel function.

- To turn the self-propel OFF, press the self-propel button again, the OFF icon will appear on the LCD screen (Fig. 31).

**NOTE:** The blade motor cannot be started when the mower is already being self-propelled. Release the bail switch and restart the mower.



## To operate self-propel system with the blades rotating

1. Depress the safety button to illuminate the LCD screen.
2. Press the self-propel button, the AUTO icon will FLASH on the LCD screen, the self-propel function is ready to be engaged.
3. Press the blade speed mode button to select the desired speed, refer to the section "Select Blade Speed Mode" in this manual.
4. Depress the safety button.

5. With the safety button depressed, pull the bail switch upward to meet the handle, the mower will start. Release the safety button.
6. Push forward the mower by the handle to engage the self-propel function.

**NOTICE:** The LCD screen will turn off automatically after 5 minutes of inactivity.

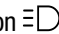
**NOTICE:** When you turn off the self-propel, for example, at the end of a row, it may become temporarily locked if you pull backwards on the mower. Simply push the mower forward slightly or raise the rear wheels and then move the mower as required.


**NOTICE:** It may, at times, be easier to mow around an object or mow back and forth, with the self-propel turned off.

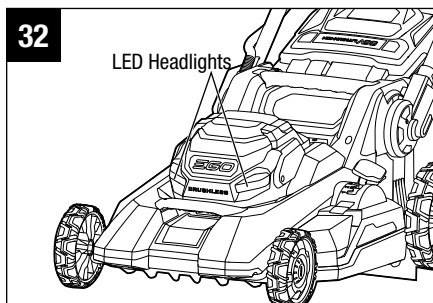
**⚠ WARNING:** To reduce the risk of injury, never attempt to override the operation of the bail switch or self-propel button. Use the self-propel for its intended purpose only.

## LED HEADLIGHTS

The LED headlights are located on the front of the battery compartment (Fig. 32).




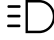

To turn on the lights, press the switch button (Fig. 1b). The headlights provide bright light in front of the mower. The LED icon  will be shown on the LCD screen.

To turn off the headlights, press the switch button again. The LED icon  will disappear from the LCD screen.





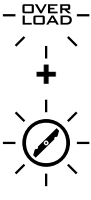
## STATUS INDICATORS ON MOWER LCD SCREEN (Fig. 1b)







The mower is equipped with an LCD screen to indicate the charge level of the battery pack and the working status of the mower.

No.	LCD Display	Description	Meaning	Action
1		Self-propel icon is ON.	Self-propel function is working properly.	None required.
2		Blade icon is ON.	Mower is working properly.	None required.
3		Self-propel icon blinks.	Self-propel function is turned ON.	None required.
4	<b>AUTO</b>	Self-propel icon is ON.	Self-propel function has started	None required.
5	<b>OFF</b>	Self-propel icon is OFF.	Self-propel function is turned OFF.	None required.
6		LED icon is ON.	LED headlights are turned ON.	None required.
7		Battery charge is zero .	Battery pack has no charge.	Stop the mower and charge the battery pack.

No.	LCD Display	Description	Meaning	Action
8		Mower overheat icon, self-propel icon, and blade icon flash simultaneously.	Self-propel function and mower are overheated.	Release the bail switch, wait until the battery pack cools down to at least 152 °F (67 °C), then restart the mower.
		Mower overheat icon and self-propel icon flash simultaneously.	Self-propel function is overheated.	
		Mower overheat icon and blade icon flash simultaneously.	Mower is overheated.	
		Only overheat icon flashes.	Battery is overheated.	



No.	LCD Display	Description	Meaning	Action
9		<p>Overload icon, self-propel icon, and blade icon flash simultaneously.</p>	<p>The mower and self-propel function are overloaded.</p>	<ul style="list-style-type: none"> <li>- Remove the battery pack, then check and clean if grass has collected beneath the deck.</li> <li>- Slow down your pace when cutting.</li> <li>- Raise the cutting height.</li> <li>- If above solutions do not work, please contact EGO customer service center.</li> </ul>
		<p>Overload icon and self-propel icon flash simultaneously.</p>	<p>Self-propel function is overloaded.</p>	
		<p>Overload icon and blade icon blink simultaneously.</p>	<p>The mower is overloaded.</p>	

No.	LCD Display	Description	Meaning	Action
10		Handle error icon, self-propel icon and blade icon flash simultaneously.	The side rails are not fully extended.	Stop the mower and make sure that the side rails are fully extended.
	 		The handle is not in an operating position.	Stop the mower and make sure that the handle is in an operating position.
11	  	The service icon, self-propel icon and blade icon flash simultaneously.	Mower electronics error.	Contact EGO customer service center.

## **MOWER OVERLOAD PROTECTION**

To prevent overload conditions, do not try to remove too much grass at one time. Slow down your cutting pace or raise the cut height.

Your mower has built-in overload circuit protection. When the mower is overloaded, the motor will stop and the overload icon on the LCD screen will blink. Refer to the section "**STATUS INDICATORS ON MOWER LCD SCREEN**" in this manual. Remove the battery pack from the mower. Check to see if grass has collected beneath the deck and clear it if necessary, then install the battery and restart the mower.

## **BATTERY HIGH-TEMPERATURE PROTECTION**

The battery pack will generate heat during operation. The heat dissipates more slowly in hot weather. If the battery temperature exceeds 158°F (70°C) during operation, the protection circuit will immediately turn off the mower to protect the battery pack from heat damage. The overheat icon on the LCD screen will blink. Refer to the section "**STATUS INDICATORS ON MOWER LCD SCREEN**" in this manual.

Release the bail switch, wait until the battery pack cools down to approximately 152°F (67°C), then restart the mower.

## MOWING TIPS

**NOTICE:** A sharp blade will greatly enhance the performance of the mower, especially when cutting tall grass. Make sure to check the sharpness of the blade before mowing.

- Verify that the lawn is free of stones, sticks, wires, and other objects which could damage the lawn mower or motor. Such objects could be accidentally thrown by the mower in any direction and could cause serious personal injury to the operator and to others.

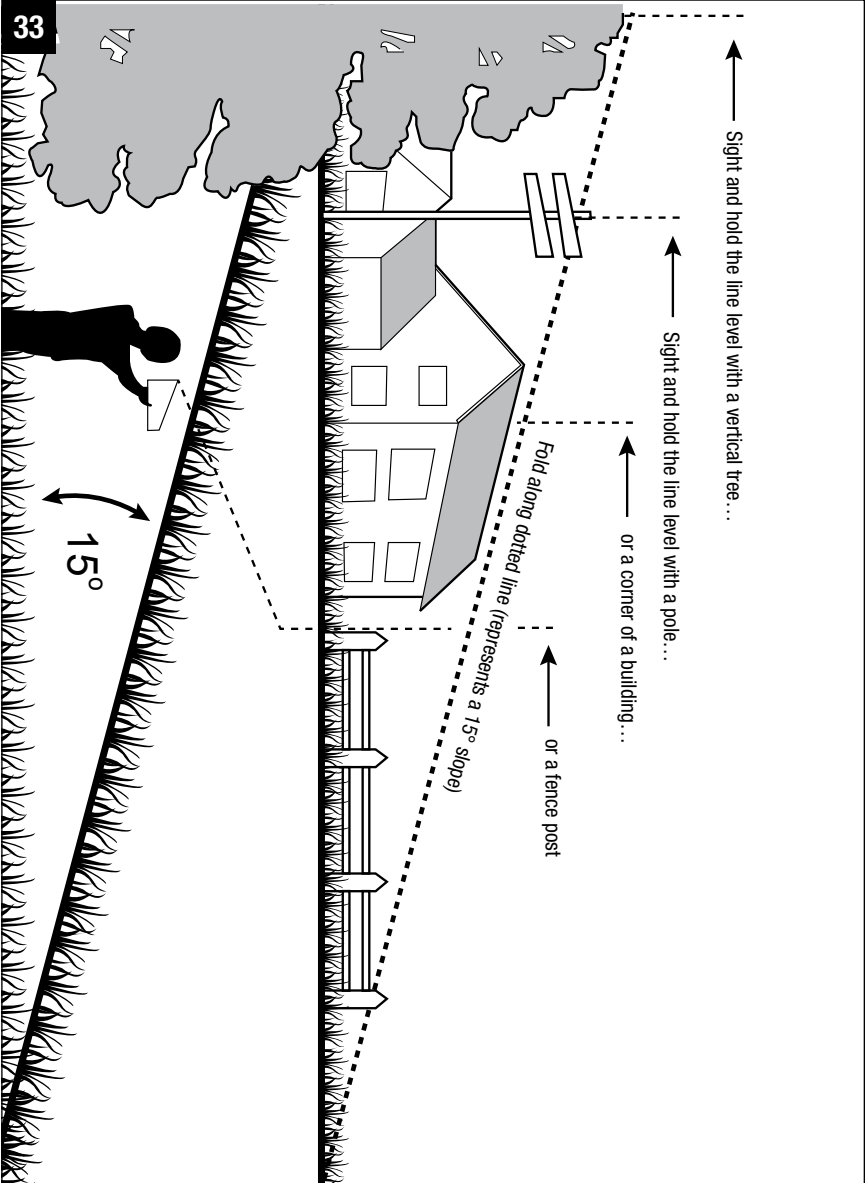
**⚠ WARNING:** If you strike a foreign object, stop the motor and remove the battery. Thoroughly inspect the mower for any damage, and repair the damage before restarting and operating the mower. Excessive vibration of the mower during operation is an indication of damage. The unit should be promptly inspected and repaired.

- For best results, do not mow in circles. Travel back and forth across the lawn.
- When cutting thick grass, reduce your walking speed in order to allow for a more effective cut and a proper discharge of the clippings.
- To maintain a healthy lawn, cut off only one-third or less of the total length of the grass. The average lawn should be approximately 1-1/2 to 2 inches (38 to 53 mm) long during cool months, and between 2 to 3-1/4 inches (53 to 83 mm) long during hot months.

## SLOPE GAUGE (Fig. 33)

**⚠ WARNING:** Do not mow a slope that has an angle of greater than 15° (a rise of approximately 2 1/2 ft. (0.75 m) every 10 ft. (3 m)). Mow across the face of a slope and never up and down.

Use Fig. 33 as a guide in order to identify slopes that cannot be mowed safely.



## MULCHING TIPS

**⚠ WARNING:** Inspect the area where the mower is to be used and remove all stones, sticks, wire and other debris that might be thrown by the rotating blade.

- Release the switch to turn off the mower blade rotation when crossing any graveled areas; stones can be thrown by a rotating blade.
- Set the mower to the highest cutting height when mowing on uneven ground or in tall growth.
- For effective mulching, do not cut wet grass; it tends to stick to the underside of the deck, preventing the proper mulching of grass clippings. The best time to mow grass is in the late afternoon, when the grass is dry and the newly cut area will not be exposed to direct sunlight.
- For the best mulching performance, set the cutting height to remove approximately one third of the grass blade length, ideally no more than 1-1/2" (38 mm) at one time. If the grass is overgrown, it may be necessary to increase the cut height to make it easier to mow and to prevent overloading the motor. Slow your cutting pace in tall or thick grass conditions. For mulching extremely thick or tall grass, it is advisable to first cut at a high cut-height setting, and then re-cut to the final cut height. Otherwise, make narrower cuts and mow slowly. **ALWAYS MAKE SURE THAT THE BLADE IS SHARP.**

## MAINTENANCE

**⚠ WARNING:** To avoid serious personal injury, always remove the battery pack from the mower before cleaning or performing any maintenance.

**⚠ WARNING:** When servicing, use only identical replacement parts. Use of any other parts may create a hazard or cause product damage. To ensure safety and reliability, all repairs should be performed by a qualified service technician.

### CLEANING THE MOWER

**⚠ WARNING:** Always remove the battery pack when servicing or transporting the mower.

The underside of mower deck should be cleaned after each use, as grass clippings, leaves, dirt, and other debris will accumulate. This accumulation is undesirable; it will promote rust and corrosion.

Remove any build-up of grass and leaves on or around the drive shaft and motor fan (do not use water). Wipe the mower clean with a damp cloth.

## SHARPENING THE BLADES

**⚠ WARNING:** Always protect your hands by wearing heavy gloves or wrapping the cutting edges with rags or other materials when performing any maintenance on the mower blade. Always remove the battery pack when servicing or transporting the mower.

**⚠ WARNING:** Use proper eye protection while removing, sharpening, and installing the blade.

**⚠ WARNING:** A worn, cracked, or damaged blade can break and pieces of the damaged blade can become dangerous projectiles. Thrown objects can cause serious injury. Inspect the blade regularly and do not operate the mower with a worn or damaged blade.

**NOTICE:** Keep the blade sharp for best mower performance. A dull blade does not cut grass cleanly or mulch properly.

To remove the blade(s) follow the chapter **REMOVING THE BLADE** in the **ASSEMBLY** section earlier in this manual.

A dull blade can be sharpened, but a blade that is excessively worn, bent, cracked, or otherwise damaged must be replaced. A worn or damaged blade can break, causing blade pieces to be thrown from the mower.

If the blades are found to be bent, take the lawn mower to an authorized EGO service center for inspection.

## SHARPENING FREQUENCY

Sharpening the blade twice during a mowing season is usually sufficient under normal circumstances. Sand causes the blade to dull quickly; if your lawn has sandy soil, more frequent sharpening may be required.

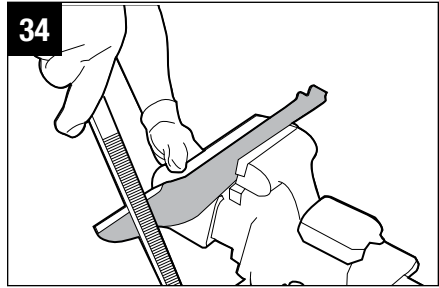
### WHEN SHARPENING THE BLADE:

- Make sure that the blade remains balanced.
- Sharpen the blade at the original cutting angle.
- Sharpen the cutting edges on both ends of the blade, removing an equal amount of material from each end.

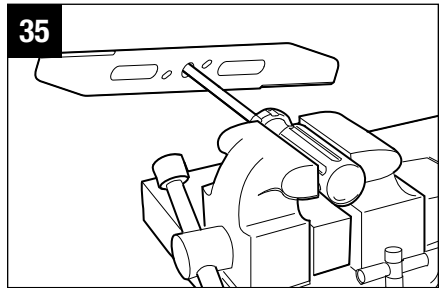


## TO SHARPEN A BLADE IN A VISE:

1. Remove the blade from the mower (please see **REMOVING THE BLADE**).
2. Secure the blade in a vise (Fig. 34).
3. Wear proper eye protection and gloves and be careful not to cut yourself.
4. Carefully file the cutting edges of the blade with a fine tooth file or sharpening stone, maintaining the original cutting edge angle.



5. To check the blade balance: clamp a nail or a screwdriver with a round shank in the horizontal position. Position the blade so that the nail or round shank of the screwdriver supports the blade through its center hole. Balance the blade horizontally. If either end of the blade rotates downward, remove some metal from the heavy or lower end until the blade is balanced. It is balanced when neither end drops (Fig. 35).



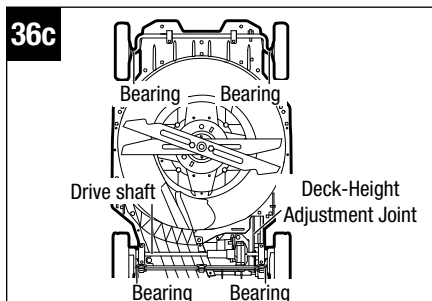
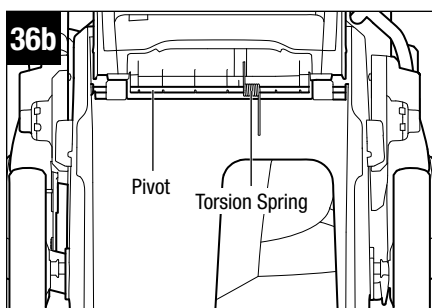
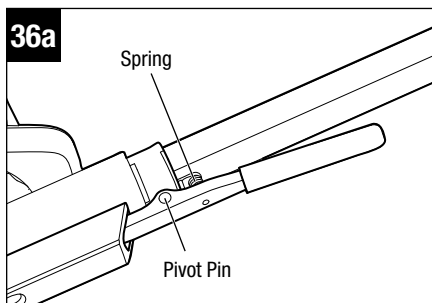
6. Replace the blade on the mower and tighten it securely (please see **INSTALLING THE BLADE**).

**⚠ WARNING:** An unbalanced blade will cause excessive vibration when rotating at high speeds. It may cause damage to the mower and could break, causing personal injury.

## LUBRICATION

Lubricate with light oil as directed below at least once each season.

- Periodically lubricate the spring and pivot pin in the quick-adjust lever, the torsion spring and pivot of the rear-discharge door with light oil to prevent rust (Fig. 36a & 36b).
- Place the mower into the locked storage position:
  1. Move the cutting-height-adjustment lever toward the front and engage it in the lowest setting (setting 1).
  2. Open the handle-locking clamp and fully recess the side rails to the compact position.
  3. Press and hold the quick-adjust lever with your right hand to release the handle.
  4. Gently pivot the handle toward the front of the mower; release the quick-adjust lever and continue to pivot the handle until you hear and feel the lock pin engage in the locked storage position.
- Place the folded mower upright on the ground (Fig. 36c).
- Lubricate the deck-height adjustment joint.
- Lubricate the bearings on the drive shaft near the rear wheels and the bearings in the front wheels (Fig. 36c).



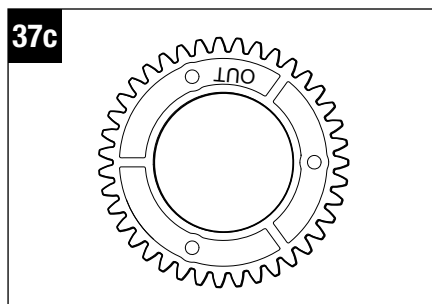
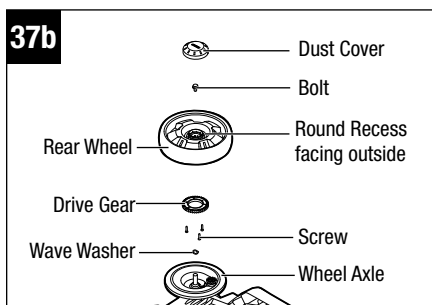
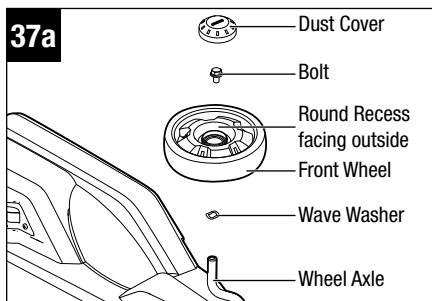
## REPLACING THE WHEELS (Fig. 37a, 37b & 37c)

**⚠ WARNING:** Always remove the battery pack when servicing or transporting the mower.

1. Turn the mower on its side with the upper surface against a wall.
2. Use a flat-blade screwdriver to pry the dust cover away from the wheel.
3. Use an adjustable or 1/2" (13mm) wrench to turn the bolt COUNTERCLOCKWISE to loosen it.
4. Remove the bolt, the worn wheel, and the wave washer from the wheel axle.
5. Remove the drive gear from the worn wheel and assemble it to the new wheel with the 3 screws.

**NOTE:** When mounting the drive gear, the surface of the gear stating "OUT" should face toward the outside (Fig. 37c).

6. Mount the wave washer and the new wheel on the wheel axle. Note that the round recess must face outward.
7. Lock the wheel with the bolt by tightening the bolt clockwise.
8. Mount the dust cover onto the wheel and press it in place.

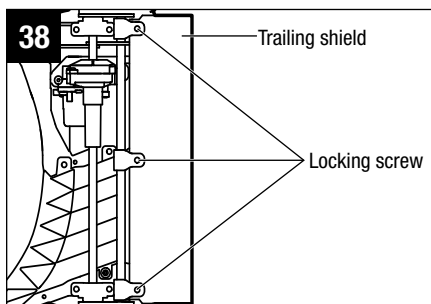


## REPLACING THE TRAILING SHIELD

**⚠ WARNING:** Always remove the battery pack when servicing or transporting the mower.

**⚠ WARNING:** Never operate the mower unless the trailing shield is in place and working. Never operate the mower with damaged safety devices.

Failure to do so can result in personal injury. The trailing shield is subject to wear and damage, which could expose moving parts or allow objects to be thrown. For safety protection, frequently check the trailing shield and replace it immediately with only the identical replacement part, listed in this manual.



1. Remove the battery.
2. Turn the mower on its side with the upper surface against the wall.
3. Loosen and remove the three locking screws for the trailing shield; remove the worn trailing shield (Fig. 38).
4. Replace with a new trailing shield and attach it with the three locking screws.

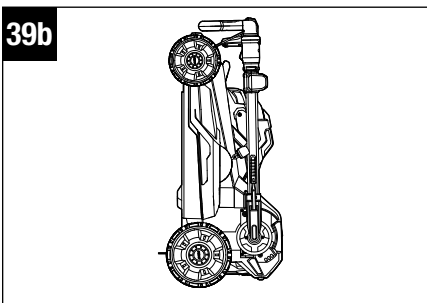
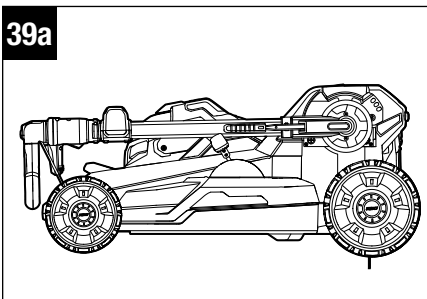
## **STORING THE MOWER**

The following steps should be taken in order to prepare the lawn mower for storage.

1. Remove the battery pack from the mower and store it at room temperature in a dry location.
2. Clean the mower as described earlier in the maintenance section.
3. Inspect the blade and replace it or sharpen it if required.
4. Lubricate the mower.
5. Store the mower in a dry, clean location. Do not store it next to corrosive materials, such as fertilizer or rock salt.
6. Store the mower in a covered and enclosed space that is cool and dry and out of the reach of children.
7. Do not cover the lawn mower with a solid plastic sheet. Plastic coverings trap moisture around the mower, which causes rust and corrosion.

## The handle assembly can be folded away completely for storage:

1. Remove the grass bag.
2. Move the cutting-height-adjustment lever toward the front and engage it in the lowest setting (setting 1).
3. Open the handle-locking clamp and fully recess the side rails to the compact position.
4. Press and hold the quick-adjust lever with one hand to release the handle. Gently pivot the handle toward the front of the mower; release the quick-adjust lever and continue to pivot the handle until you hear and feel the lock pin engage in the locked storage position.



5. Store the mower upright or flat (Fig. 39a & 39b).

**⚠ WARNING:** If the mower tips over from the upright position, mower damage or personal injury may result. Always keep the mower stable and out of the reach of children when it is in the upright position. If possible, lay it flat for storage.

# TROUBLESHOOTING

**⚠ WARNING:** Always remove the battery pack when servicing or transporting the mower. Always protect your hands by wearing heavy gloves or wrapping the cutting edges with rags or other materials when performing any maintenance on the mower blade.

PROBLEM	CAUSE	SOLUTION
The mower or self-propel system fails to start.	<ul style="list-style-type: none"> <li>■ The battery pack charge is depleted.</li> <li>■ The battery pack is not properly inserted into the battery compartment.</li> <li>■ The battery pack or mower circuitry is too hot. (Refer to chapter "<b>STATUS INDICATORS ON MOWER LCD SCREEN</b>").</li> <li>■ The side rails are not extended to their maximum length or the clamp is not locked in position.</li> <li>■ The handle is not engaged at one of the three operating positions.</li> <li>■ The mower deck is clogged with grass and debris.</li> </ul>	<ul style="list-style-type: none"> <li>■ Charge the battery pack.</li> <li>■ Attach the battery pack to the mower; press it until you hear a click.</li> <li>■ Allow the battery pack or mower to cool until the temperature drops below 152°F (67°C).</li> <li>■ Fully extend the handle and lock the handle-locking clamp.</li> <li>■ Adjust the handle to one of the three operating positions.</li> <li>■ Clean the mower deck and make certain that the blade has freedom of movement.</li> </ul>
The mower cuts unevenly.	<ul style="list-style-type: none"> <li>■ The blade is dull.</li> <li>■ The grass-cutting height is not set properly.</li> <li>■ The blade is assembled incorrectly.</li> <li>■ The blade speed mode is not set properly.</li> </ul>	<ul style="list-style-type: none"> <li>■ Sharpen or replace the blade.</li> <li>■ Move the deck height to a higher setting.</li> <li>■ Reassemble the blade, following the section "<b>INSTALLING THE BLADE</b>" in this manual.</li> <li>■ Select a faster blade speed mode.</li> </ul>

PROBLEM	CAUSE	SOLUTION
<p>Short runtime of the mower with included battery.</p>	<ul style="list-style-type: none"> <li>■ Grass conditions and cutting-height setting will greatly affect the battery run time. The claimed run time is based on a light load condition.</li> <li>■ The blade speed mode is not set properly.</li> </ul>	<ul style="list-style-type: none"> <li>■ Raise the blade height and slow your pace to reduce the cutting load.</li> <li>■ Select a slower blade speed mode.</li> </ul>
<p>The mower does not mulch properly.</p>	<ul style="list-style-type: none"> <li>■ Wet grass clippings are sticking to the underside of the deck.</li> <li>■ The mower is set to cut too much grass at once.</li> <li>■ The blade speed mode is not set properly.</li> </ul>	<ul style="list-style-type: none"> <li>■ Wait until the grass dries before mowing.</li> <li>■ Raise the deck to a higher cutting-height setting.</li> <li>■ Select a faster blade speed mode.</li> </ul>
<p>The mower stops while mowing.</p>	<ul style="list-style-type: none"> <li>■ The battery pack is depleted.</li> <li>■ Mower is in overload condition.</li> <li>■ Mower deck is clogged with grass and debris.</li> <li>■ The battery pack or mower circuitry is too hot (The power indicator on the mower emits an orange light for 10 seconds).</li> <li>■ The side rail is retracted a little by the pushing force applying on the handle.</li> <li>■ The blade speed mode is not set properly.</li> </ul>	<ul style="list-style-type: none"> <li>■ Charge the battery pack.</li> <li>■ Raise the cutting height or slow down the mowing.</li> <li>■ Unclog the mower deck. Raise the cutting height and/or cut a narrower swath.</li> <li>■ Allow the battery pack or mower to cool until the temperature drops below 152°F (67°C).</li> <li>■ Unlock the clamps. Fully extend the side rails and lock the clamps again.</li> <li>■ Select the blade speed to a lower setting.</li> </ul>



PROBLEM	CAUSE	SOLUTION
There is excessive vibration.	<ul style="list-style-type: none"> <li>■ The cutting blade is loose.</li> <li>■ The cutting blade set is unbalanced.</li> <li>■ The cutting blade is bent.</li> <li>■ The motor shaft is bent.</li> <li>■ The mower is set to cut too much grass at once.</li> <li>■ The blade speed mode is not set properly.</li> </ul>	<ul style="list-style-type: none"> <li>■ Tighten the outer nut.</li> <li>■ Balance the blade set following the “<b>SHARPENING THE BLADE</b>”.</li> <li>■ Replace the blade.</li> <li>■ Contact the service center.</li> <li>■ Raise the deck to a higher cutting-height setting.</li> <li>■ Select the blade speed to a lower setting.</li> </ul>
The handle-locking clamp cannot be closed in position.	<ul style="list-style-type: none"> <li>■ The side rails are not fully extended.</li> </ul>	<ul style="list-style-type: none"> <li>■ Fully extend the side rails, then lock the clamp.</li> </ul>
Mower is difficult to be pulled back after the self propel is turned off.	<ul style="list-style-type: none"> <li>■ The wheels are temporarily locked.</li> </ul>	<ul style="list-style-type: none"> <li>■ Simply push ahead slightly or raise the rear wheels and then move the mower as desired.</li> </ul>
Mower is difficult to maneuver when mowing around an object or mowing back and forth with self-propel turned on.	<ul style="list-style-type: none"> <li>■ The wheels are temporarily locked.</li> </ul>	<ul style="list-style-type: none"> <li>■ Turn off the self propel.</li> </ul>
The motor works but the blade doesn't cut the grass.	<ul style="list-style-type: none"> <li>■ The blade is not tightened to the required torque.</li> </ul>	<ul style="list-style-type: none"> <li>■ Re-tighten the blade. The recommended torque for the blade bolt is 36-43 ft-lb (49-59Nm).</li> </ul>
The LCD screen fails to turn on / light up.	<ul style="list-style-type: none"> <li>■ The safety button is depressed for less than 1 second.</li> </ul>	<ul style="list-style-type: none"> <li>■ The LCD screen will turn on after the safety button has been depressed for 1 second.</li> </ul>



# WARRANTY

## EGO WARRANTY POLICY

5-year limited warranty on EGO POWER+ outdoor power equipment and portable power for personal, household use.

3-year limited warranty on EGO POWER+ System battery packs and chargers for personal, household use. An additional 2-year extended warranty applies for the 10.0Ah/12.0Ah battery whether sold separately (Model# BA5600T/BA6720T) or included with any tool, if it is registered within 90 days of purchase. 5-year limited warranty on CHV1600 charger, designed for use with Zero Turn Riding Mower for personal, household use.

2 year/1year limited warranty on EGO outdoor power equipment, portable power, battery packs, and chargers for professional and commercial use.

The detailed warranty periods by products can be found online at

<http://egopowerplus.com/warranty-policy>.

**Please contact EGO Customer Service Toll-Free at 1-855-EGO-5656** any time you have questions or warranty claims.

## LIMITED SERVICE WARRANTY

EGO products are warranted against defects in material or workmanship from the date of original retail purchase for the applicable warranty period. Defective product will receive free repair.

- a) This warranty applies only to the original purchaser from an authorized EGO retailer and may not be transferred. Authorized EGO retailers are identified online at <http://egopowerplus.com/warranty-policy>.
- b) The warranty period for reconditioned or factory certified products used for residential purpose is 1 year, for industrial, professional or commercial purpose is 90 days.
- c) The warranty period for routine maintenance parts, such as, but not limited to, ride-on mower seat, wheels, tires, anti-scalp wheels, brake disc, friction block, blades, trimmer heads, chain bars, saw chains, belts, scraper bars, rubber paddles, augers, skid shoes, blower nozzles, and all other EGO accessories is 90 days for residential purpose, 30 days for industrial, professional or commercial purpose. These parts are covered for 90/30 days from manufacture defects in normal working conditions.

- d) This warranty is void if the product has been used for rental purpose.
- e) This warranty does not cover the damage resulting from modification, alteration or unauthorized repair.
- f) This warranty only covers defects arising under normal usage and does not cover any malfunction, failure or defect resulting from misuse, abuse (including overloading of the product beyond capacity and immersion in water or other liquid), accidents, neglect or lack of proper installation, and improper maintenance or storage.
- g) This warranty does not cover normal deterioration of the exterior finish, including but not limited to scratches, dents, paint chips, or to any corrosion or discoloring by heat, abrasive and chemical cleaners.

## HOW TO OBTAIN SERVICE

For warranty service, please contact EGO customer service toll-free at **1-855-EGO-5656**. When requesting warranty service, you must present the original dated sales receipt. An authorized service center will be selected to repair the product according to the stated warranty terms. When bringing your product to the authorized service center, there may be a small deposit that will be required when dropping off your tool. This deposit is refundable when the repair service is deemed to be covered under warranty.

## ADDITIONAL LIMITATIONS

To the extent permitted by applicable law, all implied warranties, including warranties of MERCHANTABILITY or FITNESS FOR A PARTICULAR PURPOSE, are disclaimed. Any implied warranties, including warranties of merchantability or fitness for a particular purpose, that cannot be disclaimed under state law are limited to the applicable warranty period defined at the beginning of this article.

Chervon North America is not responsible for direct, indirect, incidental or consequential damages.

Some states do not allow limitations on how long an implied warranty lasts and/or do not allow the exclusion or limitation of incidental or consequential damages, so the above limitations may not apply to you.

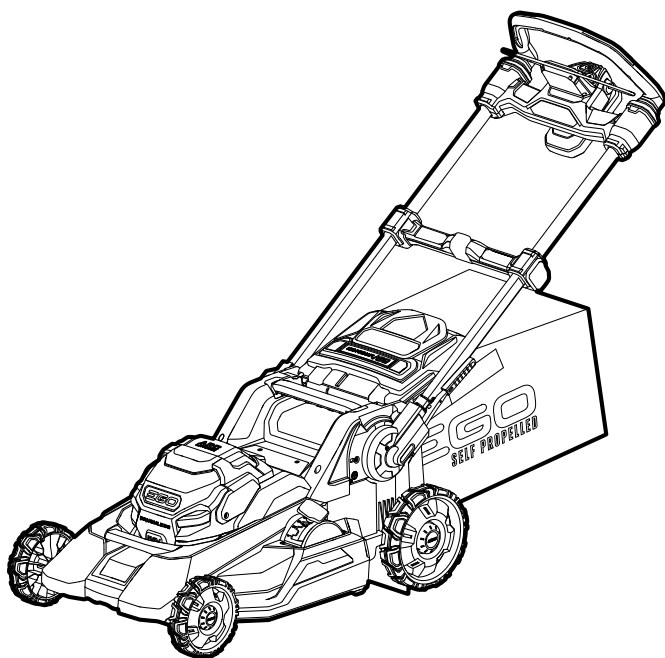
This warranty gives you specific legal rights, and you may also have other rights which vary from state to state.

For customer service contact us toll-free at: **1-855-EGO-5656** or **EGOPOWERPLUS.COM**. EGO Customer Service, 769 SEWARD AVE NW Suite 102, Grand Rapids, MI 49504



# EGO™

POWER<sup>+</sup> MOWER



OGUIDE D'UTILISATION

## TONDEUSE SANS FIL AU LITHIUM-ION DE 56 VOLTS

MODEL NUMBER LM2160SP/LM2160SP-FC

**⚠ AVERTISSEMENT :** Afin de réduire les risques de blessure, l'utilisateur doit lire et comprendre le guide d'utilisation avant d'utiliser ce produit. Conservez le présent guide afin de pouvoir le consulter ultérieurement.

## **TABLE DES MATIÈRES**

Symboles de sécurité .....	63
Consignes de sécurité .....	64-66
Règles de sécurité pour la tondeuse sans fil .....	67-74
Introduction .....	75
Spécifications .....	76-77
Liste des pièces .....	77
Accessoires .....	78
Description .....	79-83
Assemblage .....	84-96
Fonctionnement .....	97-110
Entretien .....	111-118
Dépannage .....	119-123
Garantie .....	124-125

## SYMBOLES DE SÉCURITÉ

L'objectif des symboles de sécurité est d'attirer votre attention sur les dangers potentiels. Vous devez examiner attentivement et bien comprendre les symboles de sécurité et les explications qui les accompagnent. Les symboles d'avertissement n'éliminent pas le danger d'eux-mêmes. Les consignes et les avertissements qu'ils donnent ne remplacent en aucun cas la prise de mesures préventives adéquates.

**⚠ AVERTISSEMENT** : Avant d'utiliser cet outil, veuillez à lire et à comprendre toutes les consignes de sécurité du guide d'utilisation, notamment tous les symboles d'alerte de sécurité comme « DANGER », « AVERTISSEMENT » et « ATTENTION ». Le fait de ne pas respecter toutes les consignes ci-dessous peut occasionner une décharge électrique, un incendie ou des blessures graves.

## SIGNIFICATION DES SYMBOLES

**⚠ SYMBOLE D'ALERTE DE SÉCURITÉ** : indique un DANGER, un AVERTISSEMENT ou une ATTENTION. Il peut être utilisé en conjonction avec d'autres symboles ou pictogrammes.



**⚠ AVERTISSEMENT** : L'utilisation de tout outil électrique peut occasionner la projection de corps étrangers dans les yeux et ainsi entraîner des lésions oculaires graves. Avant d'utiliser un outil électrique, veuillez à toujours porter des lunettes de protection couvrantes ou à écrans latéraux, ou un masque complet au besoin. Nous recommandons le port d'un masque de sécurité panoramique par-dessus les lunettes ou de lunettes de sécurité standard avec écrans latéraux. Portez toujours un équipement de protection oculaire conforme à la norme ANSI Z87.1.

## CONSIGNES DE SÉCURITÉ

Cette page illustre et décrit les symboles de sécurité qui peuvent être présents sur ce produit. Vous devez lire, comprendre et suivre toutes les instructions présentes sur l'appareil avant d'entamer son assemblage ou sa manipulation.

	Alerte de sécurité	Indique un risque de blessure potentielle.
	Protection oculaire	Lorsque vous utilisez ce produit, portez toujours des lunettes de protection ou de sécurité à écrans latéraux et un masque de protection complet.
	Lisez le guide d'utilisation	Pour réduire le risque de blessure, gardez les mainset pieds éloignés des pièces rotatives. Ne pas utiliser à moins que la porte de décharge ou le sac à herbe est à sa place. S'il est endommagé, remplacez-le immédiatement.
	Maintenez les dispositifs de sécurité	N'ouvrez pas et n'enlevez pas les écrans de sécurité pendant que l'outil est en fonction.
	Regardez derrière lorsque vous faites marche arrière	Regardez par terre et derrière vous avant de reculer pour éviter de trébucher.



	<p>DANGER – Gardez les mains et les pieds à l'écart</p>	<p>Afin de réduire les risques de blessure, gardez les mains et les pieds à l'écart des pièces mobiles. N'utilisez pas l'appareil si le couvercle d'évacuation et le sac de déchets de coupe ne sont pas bien placés. Remplacez immédiatement les pièces endommagées.</p>
	<p>DANGER – Maintenez toute personne à l'écart</p>	<p>N'utilisez pas cette tondeuse en présence d'enfants ou d'autres personnes.</p>
	<p>DANGER – Projection de débris</p>	<p>Enlevez les objets qui pourraient être projetés dans toutes les directions par la lame. Portez des lunettes de sécurité.</p>
	<p>DANGER – Danger dans les pentes raides</p>	<p>Soyez particulièrement prudent dans les pentes. N'utilisez pas la tondeuse dans les pentes inclinées à plus de 15 degrés.</p>
	<p>Symboles de recyclage</p>	<p>Ce produit fonctionne à l'aide d'un bloc-pile au lithium-ion (Li-ion). La législation locale, provinciale ou fédérale peut interdire la mise au rebut des blocs-piles dans une poubelle ordinaire. Consultez l'organisme local en maitre de déchets au sujet des options disponibles pour la mise au rebut ou le recyclage.</p>
<p>V</p>	<p>Volt</p>	<p>Tension</p>
	<p>Courant continu</p>	<p>Type de courant ou caractéristique de courant</p>

mm	Millimètre	Longueur ou taille
in.	Pouce	Longueur ou taille
kg	Kilogramme	Poids
lb	Livre	Poids
L	Litre	Volume
bu	Boisseau	Volume
min	Minutes	Durée
$n_0$	Vitesse à vide	Vitesse de rotation à vide
RPM	Tours par minute	Vitesse de rotation
°C	Degrés Celsius	Température
°F	Degrés Fahrenheit	Température

**⚠ AVERTISSEMENT :** Pour assurer la sécurité et la fiabilité de l'appareil, toutes les réparations doivent être effectuées par un technicien en entretien et en réparation qualifié.

# RÈGLES DE SÉCURITÉ POUR LA TONDEUSE SANS FIL

**⚠ DANGER :** Cet appareil a été conçu pour être utilisé conformément aux règles d'utilisation sécuritaire indiquées dans ce guide. Comme avec tout autre type d'équipement électrique, la négligence ou une erreur de la part de l'utilisateur peut provoquer des blessures graves. Cet appareil peut amputer les mains et les pieds et projeter des débris. Le non-respect de toutes les consignes de sécurité peut provoquer des blessures graves ou mortelles.

**⚠ AVERTISSEMENT :** Lors de l'utilisation de tondeuses électriques, les consignes de sécurité fondamentales doivent toujours être observées afin de réduire le risque d'incendie, de décharge électrique et de blessure. Ces consignes fondamentales comprennent notamment :

## ENFANTS

Des accidents graves peuvent se produire si l'utilisateur n'est pas très vigilant en présence d'enfants. Les enfants sont souvent attirés par la tondeuse et la tonte du gazon. Ils ne sont pas conscients des dangers. Ne supposez jamais qu'ils vont rester là où vous les avez vus.

- Éloignez les enfants de la surface à tondre. Assurez-vous qu'ils sont sous la surveillance attentive d'un adulte responsable autre que l'utilisateur.
- Soyez vigilant et mettez la tondeuse hors tension si un enfant pénètre dans la surface à tondre.
- Soyez particulièrement prudent à l'approche des angles sans visibilité, des entrées de porte, des buissons, des arbres ou des autres objets qui pourraient vous empêcher de voir un enfant surgissant devant la tondeuse.
- Ne laissez jamais des enfants de moins de 14 ans utiliser une tondeuse électrique. Les enfants âgés de 14 ans au moins devraient lire et comprendre les instructions d'utilisation et les règles de sécurité contenues dans ce guide et devraient être formés et supervisés par un parent. Seules les personnes responsables qui connaissent les règles d'utilisation sécuritaire devraient être autorisées à utiliser cet appareil.

## FONCTIONNEMENT

### Fonctionnement général :

- Veuillez lire attentivement l'ensemble de ce guide d'utilisation avant d'entamer l'assemblage de cet appareil. Vous devez lire, comprendre et suivre toutes les instructions présentes sur l'appareil et dans les manuels avant de l'utiliser. Avant d'utiliser cet appareil, familiarisez-vous avec toutes ses commandes et son utilisation correcte. Conservez ce guide en lieu sûr afin de pouvoir le consulter ultérieurement et régulièrement ainsi que pour commander des pièces de rechange.
- Restez alerte – Surveillez attentivement ce que vous êtes en train de faire. Faites preuve de bon sens. N'utilisez pas la tondeuse à gazon lorsque vous êtes fatigué(e).
- N'utilisez pas la machine pendant que vous êtes sous l'influence d'alcool ou de drogues.
- Gardez les enfants à distance – Tous les visiteurs doivent rester à une distance de sécurité par rapport à la zone de travail.
- Gardez les mains et les pieds à une distance suffisante de la zone de coupe.
- N'utilisez pas la tondeuse sous la pluie.
- Utilisez l'appareil adapté à votre tâche – N'utilisez pas cette tondeuse à des fins autres que celles pour lesquelles elle a été conçue.
- Ne tendez pas les bras trop loin – Maintenez des appuis et un équilibre adéquats en tout temps.
- Des objets coincés dans la lame de la tondeuse peuvent causer des blessures graves. Vous devriez toujours examiner attentivement le gazon et enlever tous les objets qui s'y trouvent avant de le tondre.
- Avant de reculer et pendant que vous le faites, regardez derrière vous et par terre pour vous assurer qu'il n'y a pas de jeunes enfants ou d'autres personnes.
- Ne forcez pas la tondeuse – elle vous permettra d'accomplir le travail pour lequel elle a été conçue plus efficacement et avec plus de sécurité si vous l'utilisez au rythme approprié.
- Planifiez votre schéma de tonte pour éviter tout écoulement de matériau sur les routes, les trottoirs, les passants et autres. De même, évitez de décharger du matériel contre les murs ou obstructions, ce qui peut provoquer le ricochet du matériau déchargé vers l'opérateur

- Pour éviter tout contact avec la lame ou toute blessure causée par la projection de débris, restez dans la zone de l'utilisateur, derrière les poignées, et gardez les enfants, les observateurs, les personnes qui vous aident et les animaux à au moins 30 m (100 pi) de la tondeuse lorsqu'elle fonctionne. Mettez l'appareil hors tension si quelqu'un pénètre dans la zone.
- Portez toujours des lunettes de protection ou de sécurité lorsque vous utilisez cet appareil, ainsi que lors d'un réglage ou d'une réparation, afin de protéger vos yeux. Les débris projetés peuvent ricocher et causer des blessures graves aux yeux. Portez toujours un masque de protection ou un masque antipoussières lorsque l'endroit est poussiéreux.
- Habillez-vous correctement – Ne portez pas de vêtements amples ou de bijoux. Ils risqueraient d'être happés par des pièces mobiles. Le port de gants en caoutchouc et de chaussures de travail est recommandé si vous travaillez à l'extérieur. Portez des chaussures de travail solides avec des semelles robustes ainsi que des pantalons et chemises qui collent au corps. Des chemises et des pantalons qui couvrent les bras et les jambes et des chaussures renforcées d'acier pour protéger les orteils sont recommandées. N'utilisez jamais cette machine les pieds nus ou avec des sandales ou d'autres chaussures glissantes ou légères (par exemple en toile).
- Ne tirez jamais la tondeuse vers vous en marchant. Si vous devez reculer la tondeuse d'un mur ou d'un obstacle, regardez d'abord par terre et derrière vous pour éviter de trébucher, puis suivez ces étapes :
  - Éloignez-vous de la tondeuse en tendant complètement les bras.
  - Assurez-vous que vos appuis sont fermes et équilibrés.
  - Reculez lentement la tondeuse, au maximum à mi-chemin vers vous.
  - Répétez ces étapes au besoin.
- Ne laissez pas de spectateurs, en particulier de petits enfants, entrer dans la zone de travail. Arrêtez la machine et l'attachelement (ou les attachelements) si quelqu'un entre dans cette zone.
- La manette de contrôle du moteur et de la lame est un dispositif de sécurité. Ne tentez jamais de contourner son fonctionnement. Cela rendrait le dispositif de sécurité inopérant et pourrait causer des blessures par contact avec la lame rotative. La manette de contrôle du moteur et de la lame doit pouvoir fonctionner librement dans les deux directions et retourner automatiquement à la position retirée lorsque vous la relâchez.
- Évitez les environnements dangereux - N'utilisez pas la tondeuse à gazon dans des endroits humides ou mouillés pour éviter de glisser et de tomber en cours de fonctionnement

- Maintenez toujours une posture stable. Vous pourriez vous blesser gravement si vous glissez et tombez. Si vous sentez que vous perdez l'équilibre, relâchez immédiatement la manette de contrôle du moteur et de la lame. La lame s'arrêtera de tourner dans trois secondes.
- Utilisez la tondeuse uniquement durant le jour ou avec un bon éclairage artificiel. N'utilisez pas la tondeuse dans un endroit mouillé ou humide afin d'éviter de glisser ou de tomber lorsqu'elle est en marche.
- Arrêtez la lame avant de traverser une allée recouverte de gravier, un trottoir ou une route.
- Si l'équipement venait à vibrer de manière anormale, arrêtez le moteur et vérifiez immédiatement la cause. Des vibrations sont généralement l'indication d'un problème.
- Tenez-vous toujours loin de l'ouverture de décharge.
- Coupez le moteur et attendez que la lame s'arrête complètement, puis retirez de sécurité et le bloc-pile avant de nettoyer l'appareil, d'enlever ou de remplacer le sac de déchets de coupe, le raccord pour déchiquetage ou la sortie d'évacuation latérale ou de déboucher la sortie. La lame de coupe continuera à tourner pendant quelques secondes après l'arrêt du moteur. Ne placez jamais une partie du corps à proximité de la lame tant que vous n'êtes pas certain que la lame a cessé de tourner.
- N'utilisez jamais la tondeuse si elle n'est pas munie d'un écran postérieur, d'un porte de décharge, d'un sac de déchets de coupe, d'un raccord pour déchiquetage, d'une sortie d'évacuation latérale, d'une manette de contrôle du moteur et de la lame ou d'autres dispositifs de sécurité protecteurs qui fonctionnent adéquatement. N'utilisez jamais la tondeuse si les dispositifs de sécurité sont endommagés. Cela pourrait entraîner des blessures.
- S'il se produit une situation qui ne Fig. pas dans le présent guide, faites preuve de prudence et de bon jugement. Communiquez avec le centre de service EGO pour obtenir de l'aide.
- Prévenez une mise en marche accidentelle. Assurez-vous que l'interrupteur est dans la position d'arrêt avant de le connecter au bloc-piles, ou de soulever ou de transporter votre outil. Le fait de transporter un outil électrique avec le doigt sur l'interrupteur ou de le mettre sous tension avec l'interrupteur en position de marche invite les accidents.

- Débranchez le bloc-piles de l'outil électrique avant d'y apporter de quelconques modifications, de changer des accessoires ou de ranger l'outil. De telles mesures de sécurité préventives réduisent le risque de démarrage accidentel de l'outil.
- Ne rechargez l'outil qu'avec le chargeur indiqué par le fabricant. Un chargeur qui est approprié pour un type de bloc-piles pourrait créer un risque d'incendie quand il est utilisé avec un autre bloc-piles.
- Utilisez votre outil exclusivement avec des blocs-piles conçus spécifiquement pour celui-ci. L'emploi de tout autre bloc-piles risquerait de causer des blessures et un incendie.

BLOC-PILE	CHARGEUR
BA1400, BA1400-FC, BA2240T, BA2240T-FC, BA2800, BA2800-FC, BA4200, BA4200-FC, BA1400T, BA1400T-FC, BA2800T, BA2800T-FC, BA4200T, BA4200T-FC, BA5600T, BA5600T-FC, BA2242T, BA2242T-FC, BA6720T, BA6720T-FC, BA3360T, BA3360T-FC	CH2100, CH2100-FC CH5500, CH5500-FC CH2800D, CH2800D-FC CH7000, CH7000-FC CH3200, CH3200-FC

- Lorsque le bloc-piles n'est pas utilisé, gardez-le à une distance suffisante des autres objets en métal, comme des trombones, pièces de monnaie, clés, clous, vis ou autres petits objets en métal qui pourraient faire une connexion entre une borne et une autre. Le court-circuitage des bornes d'une pile pourrait causer des brûlures ou un incendie.
- Dans des conditions d'utilisation abusives, du liquide pourrait être éjecté de la pile; évitez tout contact. En cas de contact accidentel, lavez avec de l'eau. En cas de contact de liquide avec les yeux, consultez un professionnel de santé. Tout liquide éjecté d'une pile peut causer de l'irritation ou des brûlures.
- N'utilisez pas un bloc-piles ou un luminaire qui est endommagé ou a été modifié. Des piles endommagées ou modifiées peuvent se comporter de façon imprévisible et causer un incendie, une explosion ou des blessures.
- N'exposez pas un bloc-piles ou un luminaire à un incendie ou à une température excessive. L'exposition à un feu ou à une température supérieure à 130° C / 265° F pourrait causer une explosion.
- Suivez toutes les instructions relatives à la charge et ne chargez pas le bloc-piles ou le luminaire en dehors de la plage de température indiquée dans les instructions. Une charge dans des conditions appropriées ou à des températures en dehors de la plage spécifiée pourrait endommager les piles et augmenter le risque d'incendie.

- Faites entretenir votre produit par un réparateur compétent n'utilisant que des pièces de rechange identiques. Ceci assurera le maintien de la sécurité du produit.
- Ne modifiez pas et ne tentez pas de réparer cet équipement ou le bloc-piles, sauf conformément à ce qui est indiqué dans les instructions d'entretien et d'utilisation.

## **UTILISATION SUR UNE PENTE :**

Les blessures graves causées par des chutes par glissade se produisent souvent dans des pentes. Les travaux effectués sur un terrain en pente exigent des précautions supplémentaires. Si vous ne vous sentez pas à l'aise sur une pente, n'utilisez pas la tondeuse. Pour votre propre sécurité, consultez la rubrique concernant la jauge de pente dans ce mode d'emploi pour apprendre à mesurer l'inclinaison avant d'utiliser la tondeuse sur un terrain en pente ou accidenté. Si la pente est inclinée à plus de 15 degrés, n'utilisez pas la tondeuse.

N'utilisez pas la machine dans des conditions où la stabilité est remise en question. Les pneus peuvent glisser même si les roues sont arrêtées.

Faites preuve d'une grande prudence lorsque vous utilisez une machine équipée d'un bac de ramassage d'herbe, car il peut affecter la stabilité de la machine.

### **À faire :**

- Travaillez parallèlement à la pente, jamais perpendiculairement. Faites très attention en changeant de direction sur une pente.
- Faites attention aux trous, aux ornières, aux objets dissimulés ou aux bosses qui pourraient vous faire glisser ou trébucher. Des herbes hautes peuvent dissimuler des obstacles.

### **À ne pas faire :**

- Ne tondez pas près d'une falaise, d'un fossé ou d'un remblai; vous pourriez perdre pied ou perdre l'équilibre.
- N'utilisez pas la tondeuse si la pente est inclinée à plus de 15 degrés, comme l'indique l'inclinomètre.
- Ne coupez pas l'herbe si elle est mouillée. Un appui instable pourrait vous faire glisser.



## ENTRETIEN

**⚠ AVERTISSEMENT :** Les composants du sac à herbe, le cache de la goulotte de décharge, la goulotte de décharge latérale, l'élément amovible pour le déchetage et le bouclier arrière sont sujets à usure et à endommagement, ce qui pourrait exposer les pièces mobiles ou permettre à des objets d'être projetés et augmenter le risque de blessures. Pour assurer la protection et la sécurité, inspectez fréquemment tous les composants et remplacez immédiatement les composants endommagés par des pièces de rechange EGO identiques.

- Si l'interrupteur de protection contre les surcharges intégré à la tondeuse se déclenche fréquemment, communiquez avec le service à la clientèle EGO ou le centre de service EGO le plus près.
- Ne nettoyez pas la tondeuse avec un jet d'eau, car de l'eau pourrait s'infiltrer dans le moteur et les connexions électriques.
- Retirez la batterie et remisez la tondeuse à l'intérieur lorsqu'elle n'est pas utilisée. Laissez le moteur refroidir avant de remiser la tondeuse. La tondeuse doit être rangée dans un endroit sec, surélevé ou verrouillé, hors de la portée des enfants.
- Lors de toute réparation, n'utilisez que des pièces de rechange EGO identiques. L'utilisation de pièces qui ne répondent pas aux spécifications des équipements d'origine pourrait causer une performance inadéquate et compromettre la sécurité.
- Enlevez ou débranchez le bloc-pile avant de procéder à l'entretien ou au nettoyage de la tondeuse ou d'en retirer du matériel.
- Suivez les instructions de graissage et de changement d'accessoires.
- Maintenez les poignées sèches, propres et exemptes d'huile ou de graisse.
- Pour votre propre sécurité, consultez la rubrique concernant la jauge de pente dans ce mode d'emploi pour apprendre à mesurer l'inclinaison avant d'utiliser la tondeuse sur un terrain en pente ou accidenté.
- Vérifiez fréquemment les boulons de montage de la lame et du moteur pour vous assurer qu'ils sont bien serrés. Inspectez aussi visuellement la lame pour vous assurer qu'elle n'est pas endommagée (p. ex., tordue, fissurée ou usée). Remplacez la lame uniquement par une lame de rechange EGO identique, comme indiqué dans le chapitre « **ACCESSOIRES** » de ce mode d'emploi.
- Entretenez soigneusement votre tondeuse – gardez la lame affûtée et propre pour un rendement plus efficace et plus sécuritaire. Les lames sont tranchantes et peuvent causer des coupures. Recouvrez la lame ou portez des gants et soyez très prudent lorsque vous en faites l'entretien.
- Assurez-vous que tous les écrous, les boulons et les vis sont bien serrés pour que l'équipement soit toujours en bon état de fonctionnement.

- Ne touchez jamais les dispositifs de sécurité et ne les enlevez pas. Vérifiez régulièrement qu'ils fonctionnent correctement. Ne faites jamais quoi que ce soit qui puisse interférer avec la fonction prévue d'un dispositif de sécurité ou qui réduirait la protection offerte par un dispositif de sécurité.
- Arrêtez toujours le moteur avant de procéder à des réglages à une roue ou à la hauteur du plateau de coupe.
- Arrêtez le moteur après avoir heurté un objet quelconque, enlevez la batterie et vérifiez soigneusement que la tondeuse n'est pas endommagée. Réparez les dommages avant d'utiliser la tondeuse.
- Conservez les plaques signalétiques d'instruction et de sécurité ou remplacez-les au besoin.
- N'exposez pas un bloc-piles ou un appareil à un feu ou à une température excessive. L'exposition au feu ou à une température supérieure à 100 °C (212 °F) peut provoquer une explosion.
- **CONSERVEZ CES INSTRUCTIONS.** Consultez-les régulièrement et utilisez-les pour expliquer le fonctionnement de l'outil à d'autres personnes qui l'utiliseraient. Si vous prêtez cet outil à une personne, prêtez-lui également ces instructions afin de prévenir un usage inapproprié et des blessures potentielles.

## INTRODUCTION

Nous vous félicitons d'avoir choisi une tondeuse de nouvelle génération alimentée par un bloc-pile au lithium-ion de 56 V. Elle a été conçue et fabriquée afin de vous offrir la meilleure fiabilité et le meilleur rendement possible.

Si vous éprouvez un problème que vous n'arrivez pas à régler facilement, **veuillez communiquer avec le centre de service à la clientèle EGO au 1 855 EGO-5656.**


Ce guide contient des renseignements importants sur l'assemblage, le fonctionnement et l'entretien en toute sécurité de votre tondeuse. Lisez-le soigneusement avant d'utiliser la tondeuse. Conservez ce guide à portée de main afin de pouvoir le consulter à tout moment.

NUMÉRO DE SÉRIE \_\_\_\_\_ DATE D'ACHAT \_\_\_\_\_

LES NUMÉROS DE MODÈLE ET DE SÉRIE SE TROUVENT SUR LA PLAQUE SIGNALÉTIQUE FIXÉE AU CLAPET D'ÉVACUATION ARRIÈRE.

NOUS VOUS RECOMMANDONS DE PRENDRE EN NOTE LE NUMÉRO DE SÉRIE ET LA DATE D'ACHAT ET DE LES CONSERVER EN LIEU SÛR AFIN DE POUVOIR LES CONSULTER ULTÉRIEUREMENT.

## SPECIFICATIONS

Numéro de modèle	LM2160SP/LM2160SP-FC																
Système d'autopropulsion	Oui																
Tension	56 V 																
Mode de réglage de la vitesse des lames	MODE TURBO																
	MODE NORMAL																
	MODE ÉCO																
Réglage approximatif de la hauteur de coupe	<table><tr><td>1</td><td>25 mm / 1 po</td></tr><tr><td>2</td><td>35 mm / 1-3/8 po</td></tr><tr><td>3</td><td>43 mm / 1-11/16 po</td></tr><tr><td>4</td><td>53 mm / 2 po</td></tr><tr><td>5</td><td>66 mm / 2-1/2 po</td></tr><tr><td>6</td><td>79 mm / 3 po</td></tr><tr><td>7</td><td>92 mm / 3-1/2 po</td></tr><tr><td>8</td><td>105 mm / 4 po</td></tr></table>	1	25 mm / 1 po	2	35 mm / 1-3/8 po	3	43 mm / 1-11/16 po	4	53 mm / 2 po	5	66 mm / 2-1/2 po	6	79 mm / 3 po	7	92 mm / 3-1/2 po	8	105 mm / 4 po
1	25 mm / 1 po																
2	35 mm / 1-3/8 po																
3	43 mm / 1-11/16 po																
4	53 mm / 2 po																
5	66 mm / 2-1/2 po																
6	79 mm / 3 po																
7	92 mm / 3-1/2 po																
8	105 mm / 4 po																
Taille du châssis	531 mm / 21 po																
Volume du sac à herbe	70 l / 2,0 bu																
Poids de la tondeuse (sans bloc-piles, avec l'élément amovible pour le déchiquetage)	59 lbs. (28.6 kg)																
Température de fonctionnement	0° C–40° C / 32° F–104° F																
Température de stockage	-20° C-70° C / -4° F-158° F																

## Autonomie de fonctionnement approximative

	LM2160SP/LM2160SP-FC avec BA6720T/BA6720T-FC
Mode ÉCO	105 min.
Mode normal	90 min.
Mode Turbo	80 min.

**AVIS :** L'autonomie de fonctionnement réelle varie en fonction de l'état de l'herbe : espèce, densité, humidité, etc.

## Conseils pour maximiser l'autonomie de fonctionnement

Pour tirer le meilleur parti de votre tondeuse EGO, veuillez respecter les règles suivantes :

- Utilisez la lame inférieure à autonomie de fonctionnement prolongée.
- Ne coupez pas plus de 38 mm / 1,5 po d'herbe en un seul passage.
- Déplacez la tondeuse à un rythme modéré.
- Ne coupez pas d'herbe mouillée.
- Assurez-vous que les lames sont bien aiguisées.
- Assurez-vous que le dessous du châssis est propre.

## LISTE DES PIÈCES

NOM DE LA PIÈCE	QUANTITÉ
Tondeuse à gazon	1
Sac à herbe	1
Cadre du sac à herbe	1
Élément amovible pour le déchiquetage (préinstallé dans la tondeuse)	1
Goulotte de décharge latérale	1
Mode d'emploi	1
Lame inférieure à autonomie de fonctionnement prolongée EGO	1
Lame inférieure d'ensachage à grande puissance d'aspiration EGO	1
Ensemble de support du téléphone	1

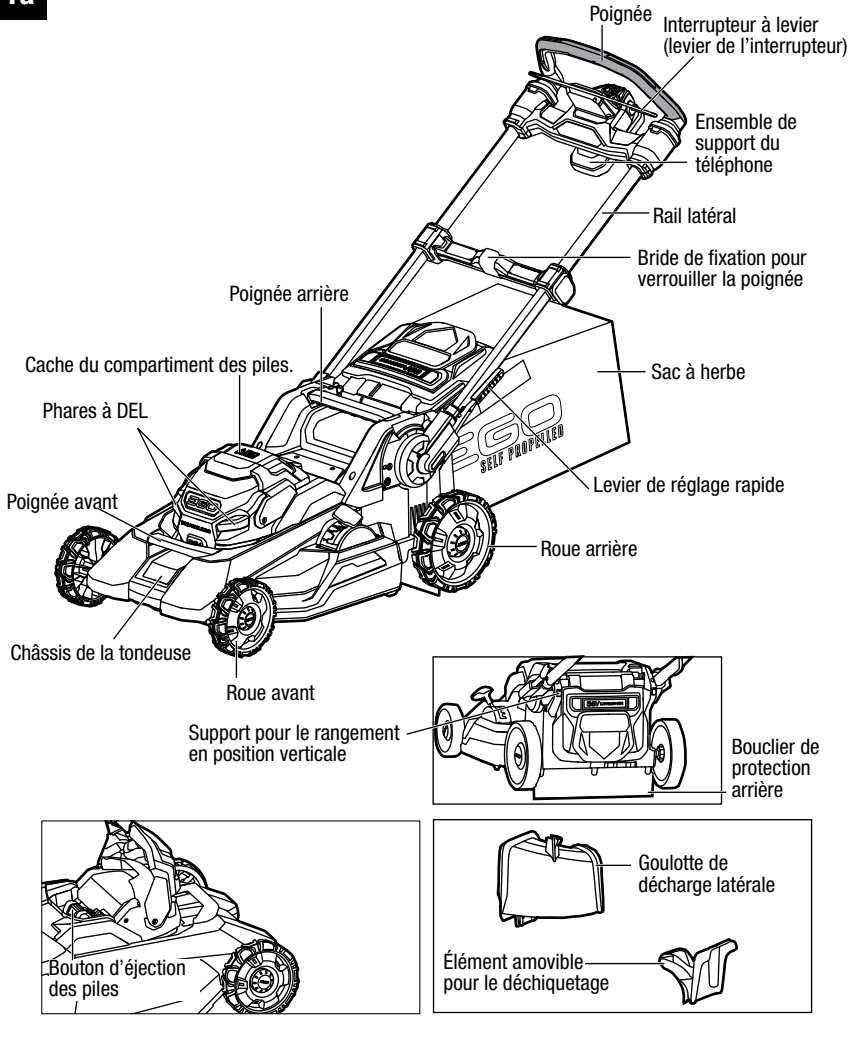
## ACCESSOIRES

**⚠ AVERTISSEMENT :** La pièce suivante s'use en conséquence de son utilisation normale. Utilisez seulement des pièces de rechange identiques énumérées ci-dessous. L'utilisation de pièces qui ne répondent pas aux spécifications des équipements d'origine pourrait causer une performance inadéquate et compromettre la sécurité.

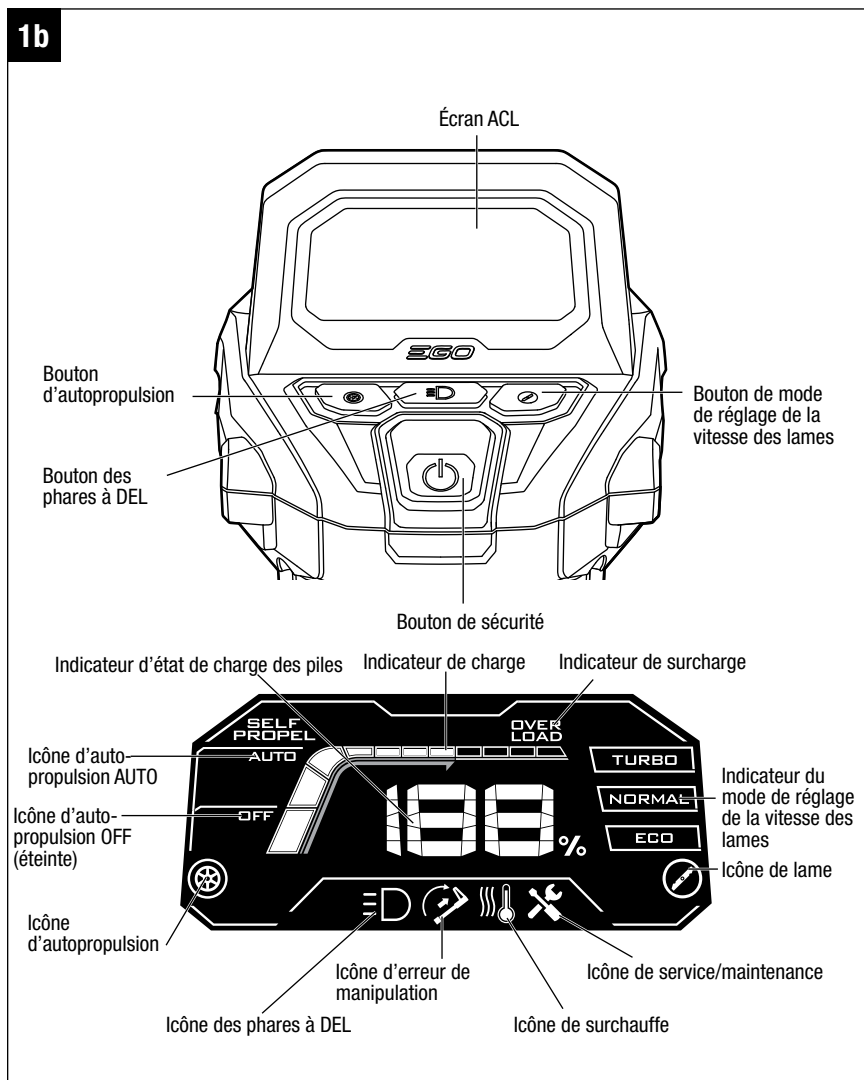
NOM DE LA PIÈCE	NUMÉRO DE MODÈLE
Jeu de lames à autonomie de fonctionnement prolongée EGO	AB2100D
Jeu de lames de déchiquetage EGO	AB2101D
Jeu de lames d'ensachage à soulèvement en position haute EGO	AB2102D

# DESCRIPTION

1a



1b





**⚠ AVERTISSEMENT :** Pour que ce produit puisse être utilisé en toute sécurité, il est nécessaire de comprendre les informations figurant sur l'outil et dans son mode d'emploi, et de bien maîtriser le projet que vous voulez réaliser. Avant d'utiliser ce produit, familiarisez-vous avec toutes ses fonctionnalités et les consignes de sécurité qui s'y appliquent.

## **BOUTON DE SÉCURITÉ**

- Lorsque vous appuyez brièvement sur cette touche, l'écran ACL s'allume et affiche le niveau de charge de la pile.
- Le bouton de sécurité doit être enfoncé avant que le moteur puisse démarrer.

## **INTERRUPTEUR À LEVIER**

L'interrupteur engage et désengage le moteur / la lame.

## **BOUTON D'AUTOPROPULSION**

Permet d'activer et de désactiver la fonction d'autopropulsion. Le système d'autopropulsion adaptatif de votre tondeuse ralentit ou augmente automatiquement sa vitesse en fonction de votre rythme.

## **BOUTON DE MODE DE RÉGLAGE DE LA VITESSE DES LAMES**

Ce bouton permet à l'utilisateur de sélectionner la vitesse des lames en fonction de l'état de la pelouse.

## **BRIDE DE FIXATION POUR VERROUILLER LA POIGNÉE**

Verrouille/déverrouille les rails latéraux en position sortie ou rétractée.

## **RAILS LATÉRAUX**

Peuvent être sortis et verrouillés pour le fonctionnement ou rétractés pour le rangement.

## **BOUCLIER DE PROTECTION ARRIÈRE ET PORTE DE LA GOULOTTE DE DÉCHARGE ARRIÈRE**

Le bouclier de protection arrière est conçu pour minimiser la projection de pierres et d'autres objets vers l'arrière par la lame de la tondeuse. Le bouclier et la porte de la goulotte de décharge arrière minimisent le risque de contact accidentel du pied avec la lame. N'utilisez PAS la tondeuse si le bouclier arrière et la porte de la goulotte de décharge arrière ne sont pas à leur place.

## LEVIER DE RÉGLAGE RAPIDE

Verrouille/déverrouille la position de la poignée lors du réglage de l'angle de la poignée de la tondeuse.

1. Position de rangement verrouillée
2. Position de fixation/retrait du sac à herbe
3. Position d'utilisation supérieure
4. Position d'utilisation intermédiaire
5. Position d'utilisation inférieure

## PHARES À DEL

Les phares à DEL sont situés à l'avant de la tondeuse. Cette fonctionnalité fournit une lumière supplémentaire pour une meilleure visibilité.

## LEVIER DE RÉGLAGE DE LA HAUTEUR DE COUPE

Le levier est monté sur ressort pour permettre un réglage rapide et d'une seule main de la hauteur de coupe.

## FREIN ÉLECTRIQUE

Arrête rapidement la rotation de la lame lorsque l'interrupteur à levier est relâché.

## INDICATEUR DE CHARGE

Indique la charge actuelle de la tondeuse.

## INDICATEUR DE SURCHARGE

L'icône clignote lorsque la tondeuse est en état de surcharge.

## ICÔNE DES PHARES À DEL

Cette icône s'allume lorsque les phares à DEL ont été allumés.

## ICÔNE D'ERREUR AFFECTANT LA POIGNÉE

Cette icône s'allume lorsque la poignée n'est pas en position de fonctionnement ou n'est pas entièrement déployée.

 **ICÔNE DE SURCHAUFFAGE**

Cette icône s'allume lorsque la tondeuse est en état de surchauffe.

 **ICÔNE DE SERVICE/MAINTENANCE**

Cette icône s'allume en cas d'erreur de l'électronique de la tondeuse.

## ASSEMBLAGE

**⚠ AVERTISSEMENT :** Pour empêcher tout démarrage accidentel qui pourrait causer une blessure grave, retirez toujours le bloc-piles de l'outil lorsque vous effectuez le montage de pièces.

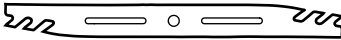
**⚠ AVERTISSEMENT :** Ne tentez pas de modifier cet outil ou de créer des accessoires qu'il n'est pas recommandé d'utiliser avec cette tondeuse. Une telle altération ou modification constituerait une utilisation abusive et pourrait créer une situation dangereuse entraînant un risque de blessures graves.

## DÉBALLAGE

- Commencez par retirer tous les accessoires du carton, puis saisissez les poignées avant et arrière en même temps de façon à soulever délicatement la tondeuse et la faire sortir du carton.
- Assurez-vous que tous les articles indiqués sur la « LISTE DES PIÈCES » sont inclus.
- Inspectez attentivement le produit pour vous assurer qu'aucun dommage ou bris de pièce(s) ne s'est produit pendant le transport.
- Ne jetez pas les matériaux d'emballage avant d'avoir inspecté attentivement la tondeuse et de l'avoir mise en marche de façon satisfaisante.
- Si une pièce quelconque est endommagée ou manquante, rappez la tondeuse dans le magasin où vous l'avez achetée.

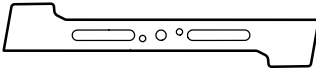
## SYSTÈME DE COUPE SELECT CUT™

Le système de coupe à plusieurs lames **Select Cut™** vous permet d'utiliser l'une des trois lames inférieures interchangeables : la **lame de déchiquetage inférieure**, la **lame inférieure d'ensilage à grande puissance d'aspiration** et la **lame inférieure à autonomie de fonctionnement prolongée**.



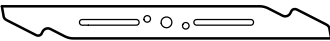
La **lame de déchiquetage inférieure** est conçue pour assurer une performance supérieure en matière de déchiquetage. Cette lame très résistante transforme l'herbe coupée en fins fragments. Votre tondeuse est expédiée avec cette lame déjà installée.

**REMARQUE :** L'utilisation de cette lame affectera l'autonomie rapport à l'utilisation de la lame inférieure à autonomie de fonctionnement prolongée.



La **lame inférieure d'ensilage à grande puissance d'aspiration** fournit une force d'aspiration accrue qui est idéale pour l'ensilage et garantit qu'il ne restera pas de déchets sur votre pelouse.

**REMARQUE :** L'utilisation de cette lame affectera l'autonomie de fonctionnement par rapport à l'utilisation de la lame inférieure à autonomie de fonctionnement prolongée.



La **lame inférieure à durée de fonctionnement prolongée** assure un équilibre optimal entre la qualité de la coupe et l'autonomie de fonctionnement pour produire une excellente performance d'ensemble.

La lame supérieure **EGO EDGE** est utilisée conjointement avec la lame inférieure choisie pour trancher le gazon en fragments très fins, et elle améliore considérablement la performance de coupe.

**⚠ AVERTISSEMENT :** Les lames supérieures ET inférieures doivent être installées. La tondeuse ne fonctionnera pas si une seule lame est installée.

**REMARQUE :** Pour optimiser la durée de fonctionnement, veuillez vous reporter au chapitre intitulé « **Conseils pour optimiser l'autonomie de fonctionnement** » de la section « **SPÉCIFICATIONS** ».

## RETRAIT DES LAMES

**⚠ AVERTISSEMENT :** Protégez-vous toujours les mains en portant des gants épais ou en enveloppant les bords coupants avec des chiffons ou d'autres matériaux lorsque vous effectuez des opérations de maintenance sur la lame de la tondeuse à gazon. Retirez toujours le bloc-piles lorsque vous effectuez une opération d'entretien ou lorsque vous transportez la tondeuse à gazon.

**AVIS :** Les outils suivants (non inclus) sont nécessaires pour remplacer les lames :

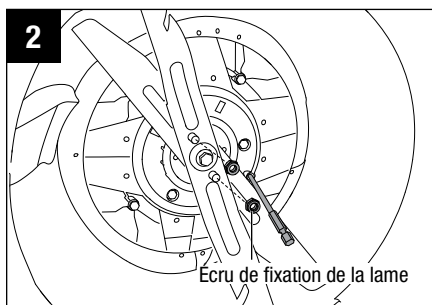
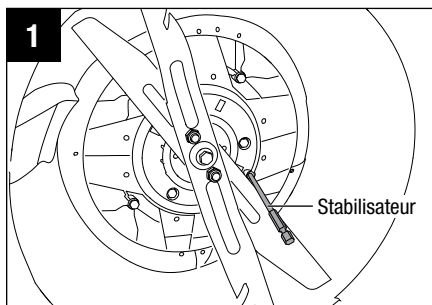
- Clé de 14 mm / 9/16 po ou clé réglable (une clé à chocs avec une douille de 9/16 po est recommandée) ;
- Clé de 17 mm / 11/16 po ou clé réglable (une clé à chocs avec une douille de 11/16 po est recommandée).
- Clé dynamométrique avec douilles de 14 mm / 9/16 po et de 17 mm / 11/16 po ;
- Tournevis manuel ou tige en métal d'un diamètre de 8 mm / 5/16 po.
- Tournevis manuel ou tige en métal d'un diamètre de 6,35 mm / 1/4 po.

1. Arrêtez le moteur ; retirez le bloc-piles de la tondeuse à gazon.

2. Mettez la tondeuse sur son côté.

3. Portez des gants de protection. Insérez un tournevis manuel ou une tige en métal de 8 mm / 1/16 po de diamètre ou un peu moins dans le trou du stabilisateur. Cela sert à empêcher la lame de tourner pendant que vous desserrez le boulon / les écrous (Fig. 1).

4. Utilisez une clé de 17 mm / 11/16 po pour desserrer et retirer les deux écrous de fixation de la lame de 17 mm / 11/16 po (Fig. 2). **CONSERVEZ LES DEUX ÉCROUS EN VUE DU RÉASSEMBLAGE DES LAMES ULTÉRIEUREMENT.**

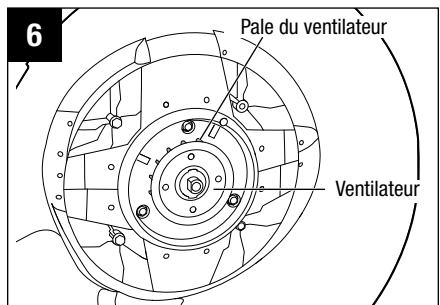
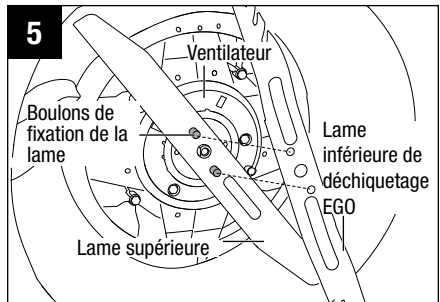
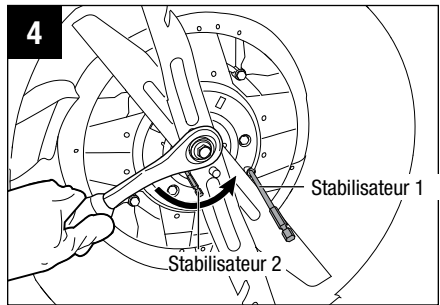
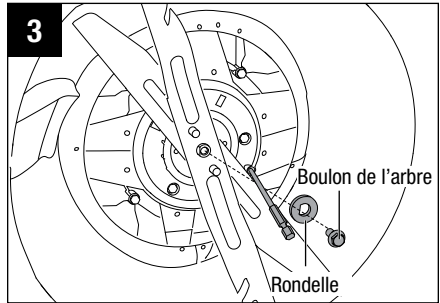


- Utilisez une clé de 14 mm / 9/16 po pour desserrer et retirer le boulon et la rondelle de l'arbre de 14 mm / 9/16 po (Fig. 3).

**AVIS :** Si le boulon de l'arbre tourne avec l'arbre du moteur pendant que vous êtes en train de le desserrer, placez une autre tige en métal (p. ex., un embout de vissage de 3,5 po de long) de diamètre inférieur à 6,35 mm / 1/4 po de diamètre à l'intérieur du petit trou dans le ventilateur pour servir de stabilisateur supplémentaire (Fig. 4).

- Retirez la lame inférieure de déchetage inférieure et la lame supérieure EGO de l'arbre du moteur dans cet ordre (Fig. 5). Retirez les deux boulons de fixation de la lame de la lame supérieure. **CONSERVEZ LES DEUX BOULONS EN VUE DU RÉASSEMBLAGE DES LAMES ULTÉRIEUREMENT.**

- Laissez le ventilateur sur l'arbre du moteur. Assurez-vous que la lame du ventilateur est orientée vers le châssis (Fig. 6).



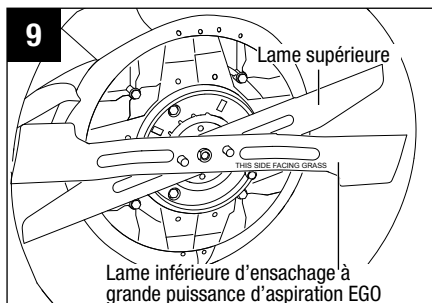
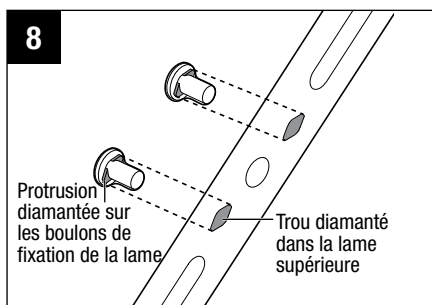
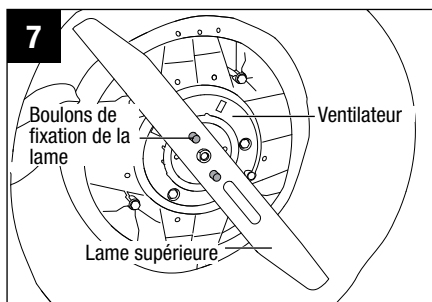
## INSTALLATION DES LAMES

**AVIS :** Pour réinstaller ou remplacer la lame ou les lames, veuillez à assembler les pièces dans l'ordre exact dans lequel elles ont été retirées, en **vous assurant** notamment **que les mentions « THIS SIDE FACING DECK » (Ce côté face au châssis) sur la lame supérieure sont tournées vers le châssis de la tondeuse et « THIS SIDE FACING GRASS » (Ce côté face à l'herbe) sur la lame inférieure sont tournées vers l'extérieur.**

1. Portez des gants de protection.
2. Insérez les deux boulons de fixation de la lame dans la lame supérieure depuis le côté indiquant « **THIS SIDE FACING DECK** » (Ce côté face au châssis), puis positionnez la lame supérieure sur l'arbre du moteur (Fig. 7).

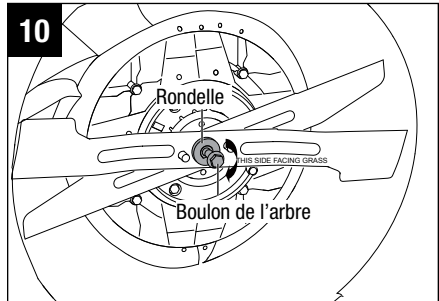
**AVIS :** La protrusion diamantée sur les boulons de fixation de la lame doit être alignée sur le trou diamanté de la lame supérieure (Fig. 8).

3. En fonction de ce que vous souhaitez, montez la lame inférieure choisie sur l'arbre du moteur (voir le chapitre intitulé « **SYSTÈME DE COUPE SELECT CUT™** » dans ce mode d'emploi). La Fig. 9 est une illustration du montage de la lame inférieure d'ensachage à grande puissance d'aspiration EGO.

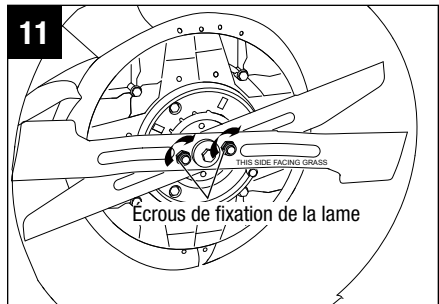




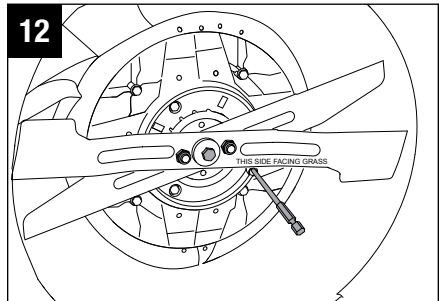
4. Installez la rondelle et le boulon de fixation de l'arbre sur l'arbre du moteur et tournez le boulon de fixation de l'arbre **DANS LE SENS DES AIGUILLES D'UNE MONTRE** à la main pour le pré-serrer.



5. Installez les écrous de fixation de la lame autour des boulons de fixation de la lame et tournez-les **DANS LE SENS DES AIGUILLES D'UNE MONTRE** à la main pour les pré-serrer (Fig. 11).



6. Insérez un tournevis manuel ou une tige en métal de 8 mm / 5/16 po de diamètre ou un peu moins dans le trou du stabilisateur. Cela sert à empêcher la lame de tourner pendant que vous serrez le boulon / les écrous (Fig. 12).

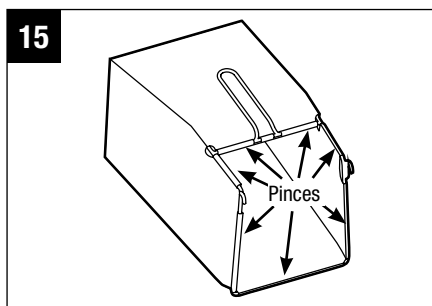
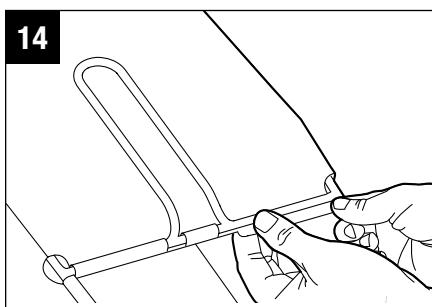
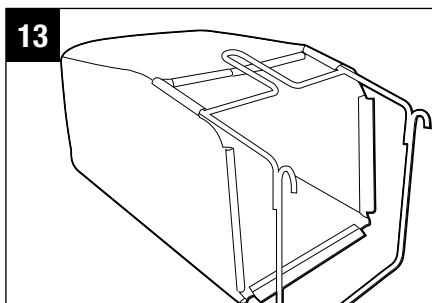


7. Utilisez une clé dynamométrique de 14 mm / 9/16 po pour serrer le boulon **DANS LE SENS DES AIGUILLES D'UNE MONTRE**. Le couple recommandé pour le boulon de fixation de la lame est de 49-59 Nm / 36-43 pi-lb.

8. Utilisez une clé dynamométrique de 17 mm / 11/16 po pour serrer le boulon **DANS LE SENS DES AIGUILLES D'UNE MONTRE**. Le couple recommandé pour le boulon de fixation de la lame est de 30 Nm / 22 pi-lb.

## ASSEMBLAGE DU SAC À HERBE

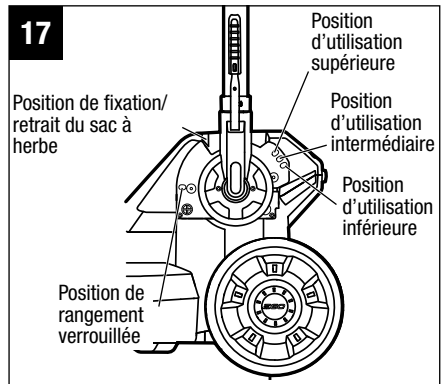
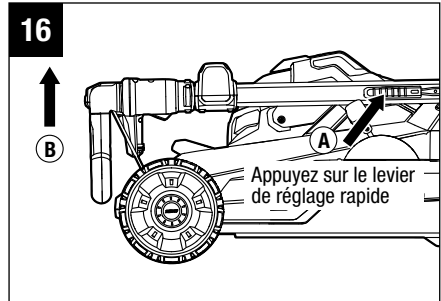
1. Inspectez le sac à herbe avant de l'assembler pour vous assurer qu'il n'est pas endommagé.
2. Faites glisser le sac à herbe sur le cadre, comme indiqué à la Fig. 13.
3. Assemblez les pinces du haut sur le cadre, comme indiqué à la Fig. 14, puis assemblez les deux pinces latérales. Assemblez la pince du bas en dernier.
4. Le sac à herbe complètement assemblé est illustré à la Fig. 15.



## RÉGLAGE DE LA POIGNÉE PLIABLE

**⚠ AVERTISSEMENT :** Ne tentez pas de faire démarrer la tondeuse à gazon avant que la poignée ait été verrouillée dans l'une des trois positions de fonctionnement préréglées. (POSITION OPÉRATIONNELLE SUPÉRIEURE, POSITION OPÉRATIONNELLE MOYENNE et POSITION OPÉRATIONNELLE INFÉRIEURE).


1. POSITION DE RANGEMENT VERROUILLÉE : Votre tondeuse à gazon est expédiée avec la poignée en position compacte verrouillée (Fig. 16).
2. POSITION DE FIXATION/RETRAIT DU SAC À HERBE : Appuyez sur le levier de réglage rapide d'une main et maintenez-le enfoncé pour libérer la poignée de la position de rangement verrouillée. Commencez à soulever la poignée de sa position repliée avec l'autre main, puis relâchez le levier (Fig. 16). Faites pivoter doucement la poignée vers le haut jusqu'à ce que vous entendiez et sentiez la goupille de verrouillage s'engager dans la première position (Fig. 17). Cette position permet un accès facile pour installer et retirer le sac à herbe.



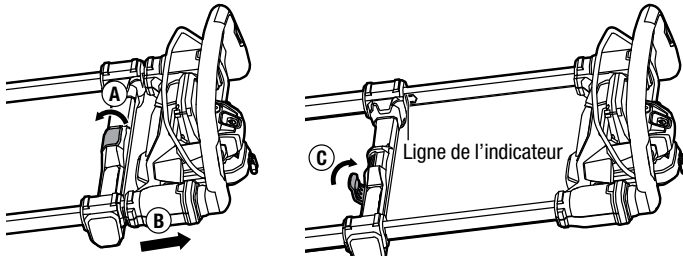
3. POSITION D'UTILISATION SUPÉRIEURE : Soulevez la poignée d'une seule main. Faites pivoter doucement la poignée vers l'arrière jusqu'à ce que vous entendiez et sentiez la goupille de verrouillage s'engager dans la position d'utilisation supérieure. Déployez complètement les rails latéraux et fermez de façon sécurisée les deux pinces de verrouillage de la poignée (Fig. 18). Les utilisateurs de grande taille préféreront peut-être sélectionner cette position d'utilisation.
4. POSITION D'UTILISATION INTERMÉDIAIRE : Appuyez sur le levier de réglage rapide et maintenez-le enfoncé d'une main pour libérer la poignée de la position de fonctionnement supérieure. Commencez à abaisser la poignée avec l'autre main, puis relâchez le levier. Faites pivoter doucement la poignée vers le bas jusqu'à ce que vous entendiez et sentiez la goupille de verrouillage s'engager dans la position d'utilisation intermédiaire. Déployez complètement les rails latéraux et fermez de façon sécurisée les pinces de verrouillage de la poignée (Fig. 18).
5. POSITION D'UTILISATION INFÉRIEURE : Appuyez sur le levier de réglage rapide et maintenez-le enfoncé d'une main pour libérer la poignée de la position de fonctionnement intermédiaire. Commencez à abaisser la poignée avec l'autre main, puis relâchez le levier. Faites pivoter doucement la poignée vers le bas jusqu'à ce que vous entendiez et sentiez la goupille de verrouillage s'engager dans la position d'utilisation inférieure. Déployez complètement les rails latéraux et fermez de façon sécurisée la pince de verrouillage de la poignée (Fig. 18).

**REMARQUE :** Le moteur ne pourra pas démarrer si toutes les conditions suivantes ne sont pas remplies :

- a) Les rails latéraux sont totalement sortis.
- b) La pince de fixation verte pour le verrouillage de la poignée est fermée de façon sécurisée.
- c) La poignée est verrouillée dans l'une des trois positions d'utilisation.

L'icône d'erreur  affectant la poignée s'allume sur l'écran ACL pour vous rappeler de placer correctement la poignée dans l'une des positions de fonctionnement.

18



## ATTACHEMENT/RETRAIT DU SAC À HERBE

**⚠ AVERTISSEMENT :** Ne faites jamais de réglage de la tondeuse à gazon sans avoir d'abord arrêté le moteur, retiré le blocs-piles et attendu que la lame cesse de tourner.

**AVIS :** Retirez l'élément amovible pour le déchetage ou la goulotte de décharge latérale avant d'attacher le sac à herbe à la tondeuse.

1. Retirez la pile.
2. Réglez la poignée en position de fixation / retrait du sac à herbe (voir le chapitre intitulé « **RÉGLAGE DE LA POIGNÉE PLIABLE** »).

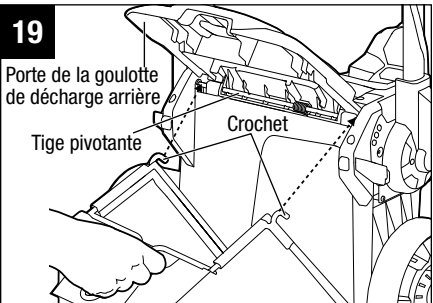
3. Soulevez la porte de la goulotte de décharge arrière.

4. Accrochez l'ensemble de sac à herbe sur la tige pivotante (Fig. 19).

Relâchez la porte de la goulotte de décharge de telle sorte qu'elle repose sur le sac à herbe.

5. Pour retirer le sac à herbe, soulevez la porte de la goulotte de décharge arrière sur la tondeuse. Soulevez le sac à herbe et retirez-le de la tige pivotante.

6. Relâchez la porte de la goulotte de décharge.

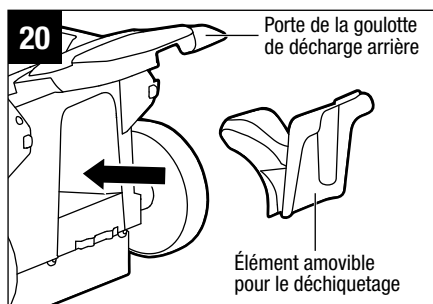


**⚠ AVERTISSEMENT :** Lorsque vous utilisez le sac à herbe, n'utilisez jamais la tondeuse à moins que les crochets du sac à herbe ne soient fermement posés sur la tige pivotante et que la porte de la goulotte de décharge arrière repose fermement contre le dessus du sac à herbe.

**⚠ AVERTISSEMENT :** Dans des conditions d'utilisation normale, le matériau du sac à herbe est sujet à usure. Pour réduire le risque de blessure, inspectez fréquemment l'ensemble de sac et remplacez-le le sac en place si vous observez des signes d'usure ou de détérioration. Utilisez seulement des sacs à herbe fabriqués pour cette tondeuse.

## FIXATION/RETRAIT DE L'ÉLÉMENT AMOVIBLE POUR DÉCHIQUETAGE

**⚠ AVERTISSEMENT :** Ne faites jamais de réglage de la tondeuse à gazon sans avoir d'abord arrêté le moteur, retiré le blocs-piles et attendu que la lame cesse de tourner.



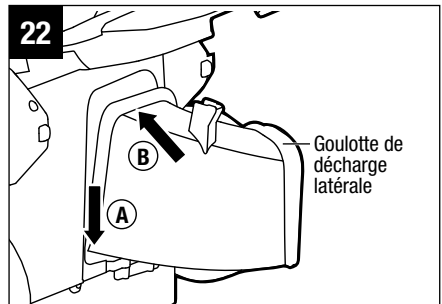
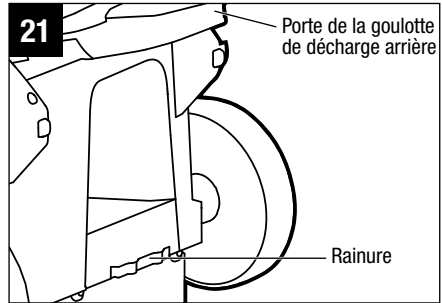
1. Retirez la pile.
2. Soulevez la porte de la goulotte de décharge arrière.
3. Saisissez la poignée de l'élément amovible pour le déchetage et insérez celui-ci complètement dans la tondeuse de telle sorte qu'il soit bien à sa place (Fig. 20).
4. Pour retirer l'élément amovible pour le déchetage, soulevez la porte de la goulotte de décharge arrière, saisissez la poignée de l'élément amovible pour le déchetage et tirez dessus pour le faire sortir.
5. Relâchez la porte de la goulotte de décharge arrière et assurez-vous qu'elle repose fermement contre l'élément amovible pour le déchetage.

**AVIS :** L'élément amovible pour le déchetage doit être retiré pour pouvoir installer et utiliser le sac à herbe ou la goulotte de décharge latérale, et il doit être réinstallé lorsque le sac à herbe est retiré.

## FIXATION/RETRAIT DE LA GOULOTTE DE DÉCHARGE LATÉRALE (Fig. 21 & 22)

**⚠ AVERTISSEMENT :** Ne faites jamais de réglage de la tondeuse à gazon sans avoir d'abord arrêté le moteur, retiré le blocs-piles et attendu que la lame cesse de tourner.

1. Retirez la pile.
2. Soulevez la porte de la goulotte de décharge arrière.
3. Alignez le bord inférieur de la goulotte de décharge latérale avec la rainure du seuil de porte et insérez-la dans la fente.
4. Poussez le haut de la goulotte de décharge latérale et insérez-la dans la tondeuse. Vérifiez qu'elle est bien en place sur le châssis.



5. Pour retirer la goulotte de décharge latérale, soulevez la porte de la goulotte de décharge arrière, saisissez la goulotte de décharge latérale et tirez dessus pour la faire sortir.
6. Relâchez la porte de la goulotte de décharge et assurez-vous qu'elle repose fermement contre l'élément amovible pour le déchiquetage.

**AVIS :** La goulotte de décharge latérale doit être retirée pour qu'il soit possible d'installer et d'utiliser le sac à herbe ou l'élément amovible pour le déchiquetage.

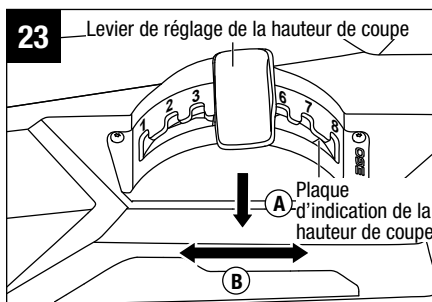
## RÉGLAGE DE LA HAUTEUR DE COUPE (Fig. 23)

**⚠ AVERTISSEMENT :** Ne faites jamais de réglage de la tondeuse à gazon sans avoir d'abord arrêté le moteur, retiré le blocs-piles et attendu que la lame cesse de tourner.

**⚠ AVERTISSEMENT :** Gardez vos pieds à distance du châssis lorsque vous êtes en train d'ajuster sa hauteur.

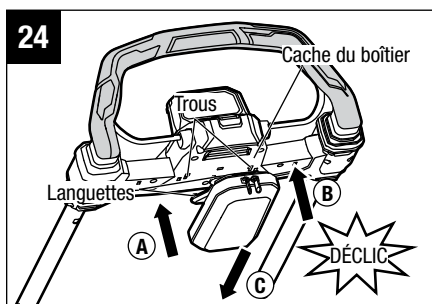
La tondeuse à gazon peut être réglée sur huit hauteurs de coupe comprises entre 25 mm / 1 po et 105 mm / 4 po. Choisissez la hauteur de coupe appropriée en fonction du type et de l'état de l'herbe qui doit être coupée.

1. Tenez d'une main les rails latéraux en aluminium pour les stabiliser et utilisez l'autre main pour déplacer le levier de réglage de la hauteur de coupe à ressort vers l'extérieur à partir d'une fente dans la plaque d'indication de la hauteur de coupe.
2. Déplacez le levier de réglage de la hauteur de coupe à ressort vers l'arrière de la tondeuse à gazon pour une hauteur de coupe plus élevée ; déplacez-le vers l'avant de la tondeuse à gazon pour une hauteur de coupe plus basse.
3. Une fois que vous aurez atteint la position de hauteur de coupe désirée, engagez à nouveau le levier de réglage de la hauteur de coupe dans la fente.



## ATTACHEMENT DE L'ENSEMBLE DE SUPPORT DE TÉLÉPHONE (Fig. 24)

1. Insérez les deux languettes inférieures de l'ensemble de support de téléphone dans les trous inférieurs du couvercle du boîtier de l'interrupteur (1), puis insérez les deux languettes supérieures dans les trous supérieurs (2).
2. Poussez l'ensemble de support de téléphone vers le bas le long du cache du boîtier de l'interrupteur jusqu'à ce qu'il s'enclenche avec un déclic audible (3).



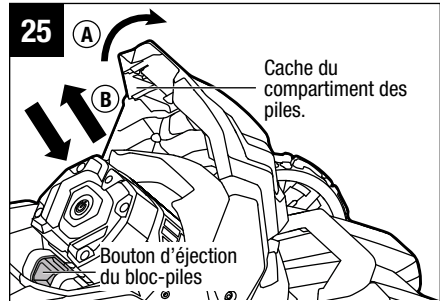


# FONCTIONNEMENT

## FIXATION / DÉTACHEMENT DU BLOC-PILES (Fig. 25)

Chargez le bloc-piles avant de vous en servir pour la première fois.

**⚠ AVERTISSEMENT :** Si de quelconques pièces sont cassées ou manquantes, ne tentez pas d'attacher le bloc-piles à la tondeuse ou de faire fonctionner la tondeuse avant que les pièces cassées ou manquantes aient été remplacées. Si vous ne respectez pas cette consigne, vous risqueriez de causer des blessures graves.



1. Le cache du compartiment piles est articulé. Levez le cache du compartiment des piles en soulevant le devant du cache.
2. Alignez les rainures dans le bloc-piles sur les nervures du compartiment des piles, puis insérez le bloc-piles dans le compartiment.
3. Enfoncez le bloc-piles jusqu'à ce que vous entendiez un déclic. Le bouton d'éjection des piles rebondira une fois que le bloc-piles aura été attaché de façon sécurisée.

**AVIS :** Assurez-vous que le loquet de verrouillage de la tondeuse se met bien en place et que le bloc-piles est bien assujéti à la tondeuse avant de commencer à l'utiliser.

4. Pour retirer le bloc-piles, appuyez sur le bouton d'éjection des piles pour relâcher le bloc-piles, puis tirez dessus pour le faire sortir du compartiment.
5. Rabattez le cache du compartiment des piles.

## SÉLECTION DU MODE DE RÉGLAGE DE LA VITESSE DES LAMES

### Sélectionnez le mode de réglage de la vitesse des lames (Fig. 26)

La tondeuse à gazon dispose de trois modes de réglage de la vitesse des lames :

- Le mode **TURBO** est un mode de réglage de la lame à une vitesse rapide pour des performances d'aspiration élevées afin d'améliorer la force d'aspiration ou les performances de coupe.
- Le mode **NORMAL** est le meilleur équilibre entre les performances et l'autonomie de fonctionnement.
- Le mode **ÉCO** permet d'obtenir le niveau sonore le plus bas et la plus longue autonomie de fonctionnement de votre bloc-piles.

**REMARQUE :** Une vitesse de rotation plus élevée de la lame affectera considérablement l'autonomie de fonctionnement.

**REMARQUE :** La vitesse de la lame ne peut pas être changée pendant le fonctionnement. La modification ne prendra effet que si le moteur est arrêté et redémarré.

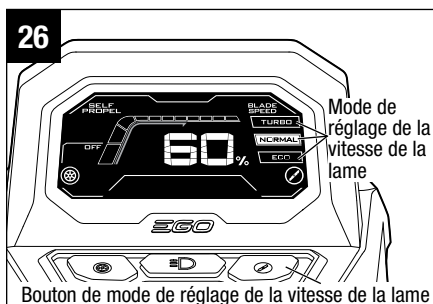
Sélectionnez le mode de conduite **TURBO**, **NORMAL** ou **ÉCO** en appuyant à plusieurs reprises sur le bouton du mode de réglage de la vitesse de la lame situé en dessous de l'écran ACL.

**REMARQUE :** Le mode de réglage de la vitesse de la lame par défaut est **NORMAL**.

## MISE EN MARCHÉ / ARRÊT DE LA TONDEUSE À GAZON

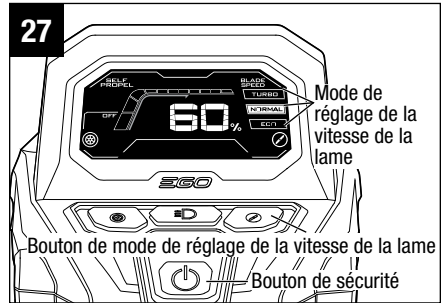
**⚠ AVERTISSEMENT :** Pendant leur fonctionnement, les tondeuses à gazon peuvent projeter des corps étrangers dans les yeux de leur utilisateur ou d'autres personnes et leur infliger de graves blessures aux yeux. Portez toujours des lunettes de sécurité lorsque vous utilisez la tondeuse ou pendant que vous réalisez de quelconques réglages ou réparations sur la tondeuse.

**⚠ AVERTISSEMENT :** Assurez-vous que les autres personnes et les animaux de compagnie restent à au moins 30 mètres / 100 pi de la tondeuse pendant qu'elle est en train de fonctionner.



**AVIS :** La lame continue à tourner pendant quelques secondes après l'arrêt du moteur de la tondeuse. Attendez que le moteur/la lame cesse de tourner avant de le remettre en marche. Ne mettez pas la tondeuse en marche et à l'arrêt en succession rapide.

**⚠ MISE EN GARDE :** Ne tentez pas de changer les paramètres de fonctionnement du bouton de sécurité et de l'interrupteur à levier.



**REMARQUE :** Le moteur ne pourra pas démarrer si toutes les conditions suivantes ne sont pas remplies :

- Les rails latéraux sont totalement sortis.
- La pince de fixation verte pour le verrouillage de la poignée est fermée de façon sécurisée.
- La poignée est verrouillée dans l'une des trois positions de fonctionnement.

## Pour mettre la tondeuse en marche

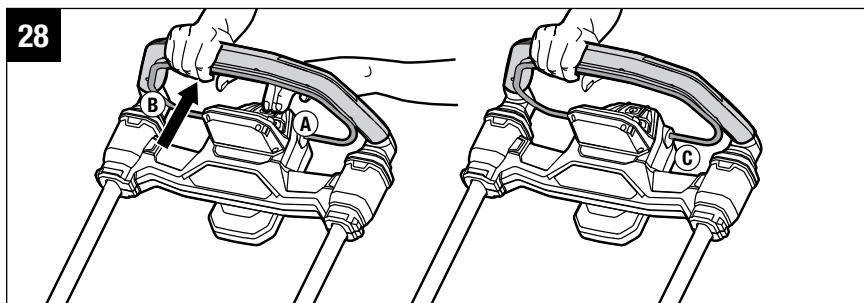
1. Attachez le bloc-piles de la tondeuse et fermez le cache du compartiment des piles.

**AVIS :** Assurez-vous que le loquet de verrouillage de la tondeuse se met bien en place et que le bloc-piles est bien assujéti à la tondeuse avant de commencer à l'utiliser.

2. Appuyez sur le bouton de sécurité et maintenez-le enfoncé pendant une seconde pour allumer l'écran ACL (Fig. 27).
3. Appuyez sur le bouton du mode de réglage de la vitesse de la lame pour sélectionner la vitesse souhaitée (Fig. 27) et reportez-vous à la section intitulée « **Sélection du mode de réglage de la vitesse de la lame** » de ce mode d'emploi.

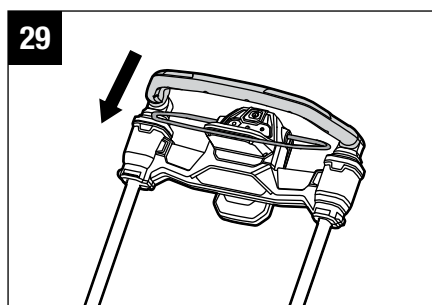
**REMARQUE :** Le mode de réglage de la vitesse de la lame par défaut est NORMAL.

4. Appuyez à nouveau sur le bouton de sécurité.
5. Une fois le bouton de sécurité enfoncé, tirez l'interrupteur à levier vers le haut en direction de la poignée, et la tondeuse à gazon se mettra alors en marche. Relâchez le bouton de sécurité (Fig. 28).



## Pour arrêter la tondeuse

1. Relâchez complètement l'interrupteur à levier (Fig. 29).
2. Le frein électrique du Mécanisme de freinage automatique arrêtera la rotation de la lame dans les trois secondes suivant le relâchement de l'interrupteur à levier.



## UTILISATION DU SYSTÈME D'AUTOPROPULSION

Le système d'autopropulsion adaptatif de votre tondeuse à gazon ralentit ou augmente automatiquement la vitesse de votre tondeuse en fonction de votre rythme.

**REMARQUE :** Le système d'autopropulsion ne peut être mis en marche que si :

- Les rails latéraux sont totalement sortis.
- La pince de fixation verte pour le verrouillage de la poignée est fermée de façon sécurisée.
- La poignée est verrouillée dans l'une des trois positions d'utilisation.

**REMARQUE :** Le système d'autopropulsion adaptatif ne fonctionne que dans la direction VERS L'AVANT. Il ne fonctionnera pas si vous tirez la tondeuse à gazon vers vous.

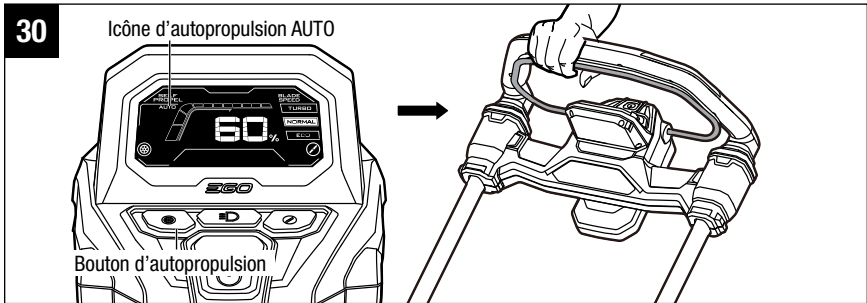
Ce système est indépendant de la rotation de la lame. Par exemple, lorsque vous avez fini de tondre votre pelouse, vous pouvez utiliser le système d'autopropulsion pour reconduire la tondeuse jusqu'à votre emplacement de stockage sans rotation de la lame. Vous pouvez également choisir d'utiliser la tondeuse comme une tondeuse non autopropulsée pour maximiser l'autonomie de fonctionnement des piles.

## Utilisation du système d'auto-propulsion sans rotation des lames :

1. Appuyez sur le bouton d'auto-propulsion, l'icône AUTO clignotera alors sur l'écran ACL et la fonction d'auto-propulsion sera prête à être engagée.

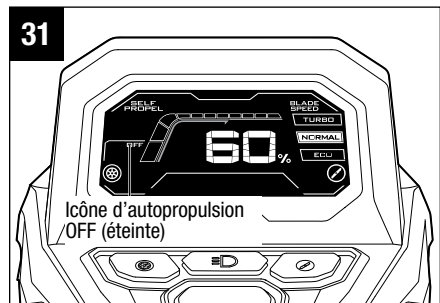
**REMARQUE :** Le mode d'auto-propulsion par défaut est OFF (désactivé).

2. Tirez le levier de l'interrupteur contre la poignée, et l'icône AUTO apparaîtra sans clignoter (Fig. 30).



3. Poussez la tondeuse à gazon vers l'avant pour démarrer la fonction d'auto-propulsion.

■ **Pour désactiver l'auto-propulsion**, appuyez à nouveau sur le bouton d'auto-propulsion et l'icône d'auto-propulsion désactivée OFF s'affichera alors sur l'écran ACL (Fig. 31).



**REMARQUE :** Le moteur de la lame ne peut pas être démarré lorsque la tondeuse est déjà autopropulsée. Relâchez l'interrupteur à levier et redémarrez la tondeuse.

## Utilisation du système d'auto-propulsion avec rotation des lames

1. Appuyez sur le bouton de sécurité pour allumer l'écran ACL.
2. Appuyez sur le bouton d'auto-propulsion, l'icône AUTO CLIGNOTERA alors sur l'écran ACL et la fonction d'auto-propulsion sera prête à être engagée.
3. Appuyez sur le bouton du mode de réglage de la vitesse de la lame pour sélectionner la vitesse souhaitée ; reportez-vous à la section intitulée « Sélection du mode de réglage de la vitesse de la lame » de ce mode d'emploi.

4. Appuyez sur le bouton de sécurité.
5. Une fois le bouton de sécurité enfoncé, tirez l'interrupteur à levier vers le haut en direction de la poignée, et la tondeuse à gazon se mettra alors en marche. Relâchez le bouton de sécurité.
6. Poussez la tondeuse à gazon en avant par la poignée pour engager la fonction d'autopropulsion.

**AVIS :** L'écran ACL s'éteint automatiquement après cinq minutes d'inactivité.

**AVIS :** Lorsque vous arrêtez la fonction d'autopropulsion, par exemple à la fin d'une rangée, elle peut se bloquer temporairement si vous tirez la tondeuse en arrière. Il suffit de pousser légèrement la tondeuse vers l'avant, ou d'élever les roues arrière, puis de la déplacer comme vous le souhaitez.

**AVIS :** Il est parfois plus facile de tondre autour d'un objet ou de tondre avec un mouvement de va et vient sans utiliser le mode d'autopropulsion.

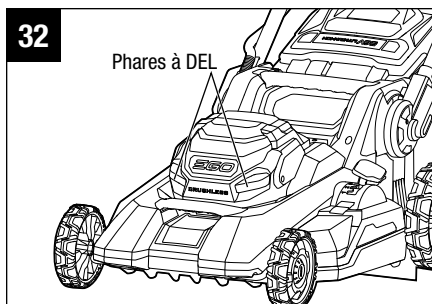
**⚠ AVERTISSEMENT :** Pour réduire le risque de blessure, n'essayez jamais de neutraliser le fonctionnement de l'interrupteur à levier ou du bouton d'autopropulsion. N'utilisez le système d'autopropulsion que pour l'usage auquel il est destiné.

## PHARES À DEL

Les phares à DEL sont situés à l'avant du compartiment des piles (Fig. 32).








Pour allumer les phares, appuyez sur le bouton de l'interrupteur (Fig. 1b). Les phares fournissent une lumière vive à l'avant de la tondeuse. L'icône des phares à DEL  $\Xi$ D sera illustrée sur l'écran ACL.

Pour éteindre les phares, appuyez à nouveau sur le bouton de l'interrupteur. L'icône des phares à DEL  $\Xi$ D disparaîtra de l'écran ACL.






## INDICATEURS D'ÉTAT SUR L'ÉCRAN ACL DE LA TONDEUSE (Fig. 1b)

La tondeuse à gazon est équipée d'un écran ACL qui indique le niveau de charge du bloc-piles et l'état de fonctionnement de la tondeuse.

n°	Écran ACL	Description	Signification	Action
1		L'icône d'autopropulsion est allumée.	La fonction d'autopropulsion fonctionne correctement.	Aucune action n'est requise.
2		L'icône de la lame est allumée.	La tondeuse à gazon fonctionne correctement.	Aucune action n'est requise.
3		L'icône d'autopropulsion clignote.	La fonction d'autopropulsion est activée.	Aucune action n'est requise.
4		L'icône d'autopropulsion est allumée.	La fonction d'autopropulsion a commencé	Aucune action n'est requise.
5		L'icône d'autopropulsion est éteinte.	La fonction d'autopropulsion est désactivée.	Aucune action n'est requise.
6		L'icône des phares à DEL est allumée.	Les phares à DEL sont allumés.	Aucune action n'est requise.
7		Les piles sont complètement déchargées.	Le bloc-piles est complètement déchargé.	Arrêtez la tondeuse et chargez le bloc-piles.

n°	Écran ACL	Description	Signification	Action
8		L'icône de surchauffe de la tondeuse, l'icône d'autopropulsion et l'icône de lame clignotent simultanément.	La fonction d'autopropulsion et la tondeuse sont en état de surchauffe.	Relâchez l'interrupteur à levier, attendez que le bloc-piles refroidisse à environ 67° C / 152° F, puis redémarrez la tondeuse à gazon.
		L'icône de surchauffe de la tondeuse et l'icône d'autopropulsion clignotent simultanément.	La fonction d'autopropulsion est en état de surchauffe.	
		L'icône de surchauffe de la tondeuse et l'icône de la lame clignotent simultanément.	La tondeuse est en état de surchauffe.	
		Seule l'icône de surchauffe clignote.	La pile est en état de surchauffe.	



n°	Écran ACL	Description	Signification	Action
9		L'icône de surcharge, l'icône d'autopropulsion et l'icône de la lame clignotent simultanément.	La tondeuse et la fonction d'autopropulsion sont en état de surcharge.	<ul style="list-style-type: none"> <li>- Commencez par retirer le bloc-piles, puis vérifiez et nettoyez si de l'herbe s'est accumulée sous le châssis.</li> <li>- Ralentissez votre rythme lorsque vous coupez.</li> </ul>
		L'icône de surcharge et l'icône d'autopropulsion clignotent simultanément.	La fonction d'autopropulsion est en état de surcharge.	<ul style="list-style-type: none"> <li>- Élevez la hauteur de coupe.</li> </ul>
		L'icône de surcharge et l'icône de lame clignotent simultanément.	La tondeuse est en état de surcharge.	<ul style="list-style-type: none"> <li>- Si aucune de ces solutions ne remédie au problème, veuillez contacter le Centre de service à la clientèle d'EGO.</li> </ul>

n°	Écran ACL	Description	Signification	Action
10		L'icône d'erreur affectant la poignée, l'icône d'autopropulsion et l'icône de la lame clignotent simultanément.	Les rails latéraux ne sont pas totalement déployés.	Arrêtez la tondeuse et assurez-vous que les rails latéraux sont complètement déployés.
			La poignée n'est pas dans l'une des positions de fonctionnement.	Arrêtez la tondeuse et assurez-vous que la poignée est verrouillée dans l'une des positions de fonctionnement.
11		L'icône de service/maintenance, l'icône d'autopropulsion et l'icône de la lame clignotent simultanément.	Dysfonctionnement de l'électronique de la tondeuse.	Contactez le Centre de service à la clientèle d'EGO.

## PROTECTION DE LA TONDEUSE CONTRE LES SURCHARGES

Pour éviter toute surcharge, n'essayez pas de retirer trop d'herbe en une seule fois. Ralentissez votre vitesse de coupe ou élevez davantage la hauteur de coupe.

Votre tondeuse est équipée d'un circuit de protection contre les surcharges. Lorsque la tondeuse est en état de surcharge, le moteur s'arrête et l'icône de surcharge sur l'écran ACL clignote. Reportez-vous à la section intitulée « **INDICATEURS D'ÉTAT SUR L'ÉCRAN ACL DE LA TONDEUSE** » dans ce mode d'emploi. Détachez le bloc-piles de la tondeuse. Vérifiez si de l'herbe s'est accumulée sous le châssis et dégagez-la si nécessaire, puis installez la pile et redémarrez la tondeuse.

## PROTECTION CONTRE LES HAUTES TEMPÉRATURES DES PILES

Le bloc-piles génère de la chaleur pendant son fonctionnement. La chaleur se dissipe plus lentement par temps chaud. Si la température de la pile dépasse 70° C (158° F) pendant le fonctionnement, le circuit de protection éteint immédiatement la tondeuse pour protéger le bloc-piles contre les dommages causés par la chaleur. L'icône de surchauffe sur l'écran ACL clignote. Reportez-vous à la section intitulée « **INDICATEURS D'ÉTAT SUR L'ÉCRAN ACL DE LA TONDEUSE** » dans ce mode d'emploi.

Relâchez l'interrupteur à levier, attendez que le bloc-piles refroidisse à environ 67° C / 152° F), puis redémarrez la tondeuse.

## CONSEILS POUR LA TONTE

**AVIS :** Une lame bien affûtée améliore considérablement la performance de la tondeuse, en particulier lorsque vous coupez des herbes hautes. Vérifiez systématiquement que la lame est bien affûtée avant de commencer à tondre.

- Vérifiez qu'il n'y a pas de grosses pierres, de bâtons, de fils de fer ou d'autres objets sur la pelouse qui risqueraient d'endommager la tondeuse à gazon ou son moteur. De tels objets risqueraient d'être projetés accidentellement par la tondeuse dans une direction imprévisible et causer des blessures graves à l'opérateur ou à d'autres personnes.

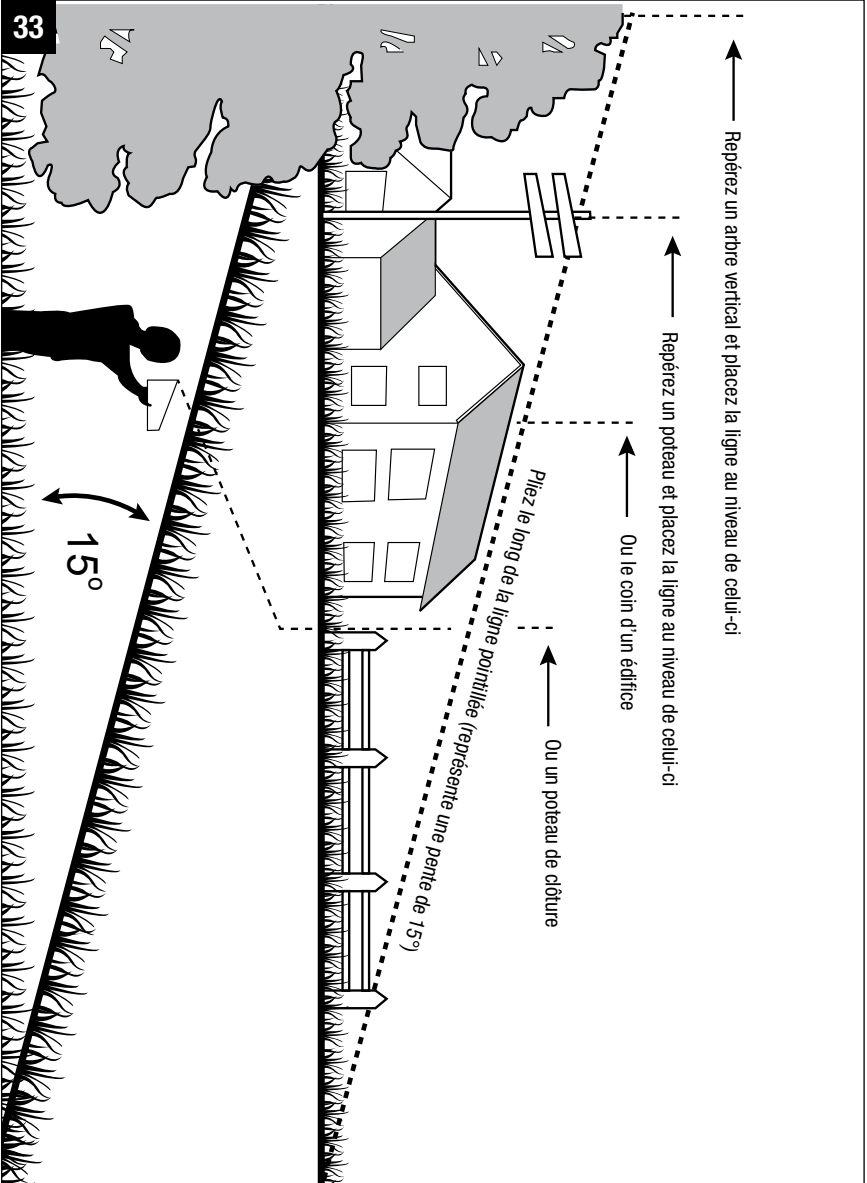
**⚠ AVERTISSEMENT :** Si vous heurtez un corps étranger, arrêtez le moteur et retirez les piles. Inspectez attentivement la tondeuse pour voir si elle a subi un dommage, et réparez-la avant de la remettre en marche et de l'utiliser. Des vibrations excessives de la tondeuse pendant son fonctionnement sont une indication de dommages. La tondeuse doit alors être inspectée et réparée dans les meilleurs délais.

- Pour obtenir les meilleurs résultats possibles, ne tondez pas en cercles. Faites plutôt des allers et retours à travers la pelouse.
- Lorsque vous coupez de l'herbe épaisse, réduisez la vitesse à laquelle vous marchez pour assurer une coupe plus efficace et une décharge appropriée de l'herbe coupée.
- Pour maintenir une pelouse en bon état, coupez seulement un tiers ou moins de la hauteur totale de l'herbe. En règle générale, le gazon doit avoir une hauteur d'environ 38 mm à 53 mm / 1-1/2 po à 2 po pendant les mois frais, et entre 53 et 83 mm / 2 po et 3-1/4 po pendant les mois très chauds.

## JAUGE DE PENTE (Fig. 33)

**⚠ AVERTISSEMENT :** Ne tondez pas le gazon sur une pente ayant une inclinaison de plus de 15° (montant d'environ 0,75 m / 2-1/2 pi tous les 3 m / 10 pi. Tondez horizontalement / latéralement sur des pentes ; ne tondez jamais vers le haut et vers le bas.

Utilisez la Fig. 33 comme guide pour identifier les pentes qui ne peuvent pas être tondues en toute sécurité.



## CONSEILS RELATIFS AU DÉCHIQUETAGE

**⚠ AVERTISSEMENT :** Inspectez la zone où vous comptez utiliser la tondeuse, et retirez les pierres, les bâtons, les fils de fer et autres débris qui pourraient être projetés par la lame en rotation.

- Relâchez l'interrupteur à levier pour arrêter la rotation de la lame de la tondeuse lorsque vous traversez une surface couverte de gravier ; des pierres pourraient être projetées par une lame en rotation.
- Réglez la tondeuse sur la hauteur de coupe la plus haute lorsque vous avancez sur un terrain irrégulier ou avec des herbes hautes.
- Pour effectuer un déchiquetage efficace, ne coupez pas d'herbe mouillée ; l'herbe mouillée a tendance à adhérer au dessous du châssis, ce qui nuit au déchiquetage approprié des morceaux d'herbe coupés. Le meilleur moment pour tondre du gazon est vers la fin de l'après-midi, lorsque l'herbe est sèche et lorsque la zone à tondre ne sera pas exposée à la lumière directe du soleil.
- Pour obtenir la meilleure performance de déchiquetage possible, réglez la hauteur de coupe de façon à pouvoir retirer environ un tiers de la longueur des brins d'herbe, dans l'idéal pas plus de 38 mm / 1-1/2 po à la fois. Si l'herbe de la pelouse est trop haute, il peut être nécessaire d'augmenter la hauteur de coupe pour permettre de tondre plus facilement et pour ne pas risquer de surcharger le moteur. Ralentissez la vitesse lorsque l'herbe est très haute ou très épaisse. Pour déchiqueter de l'herbe extrêmement épaisse ou haute, il est conseillé de commencer à tondre à une hauteur de coupe élevée, puis de tondre à nouveau la même zone à la hauteur de coupe normale. Sinon, réalisez des coupes plus étroites et tondez lentement. ASSUREZ-VOUS TOUJOURS QUE LA LAME EST BIEN AFFÛTÉE.

## ENTRETIEN

**⚠ AVERTISSEMENT :** Pour éviter des blessures graves, retirez toujours le bloc-piles de la tondeuse lorsque vous la nettoyez ou quand vous effectuez des travaux de maintenance.

**⚠ AVERTISSEMENT :** Lors de toute réparation, n'utilisez que des pièces de rechange identiques. L'utilisation de toutes autres pièces de rechange pourrait créer un danger ou endommager le produit. Pour assurer la sécurité et la fiabilité, toutes les réparations doivent être effectuées par un technicien de service qualifié.

### NETTOYAGE DE LA TONDEUSE

**⚠ AVERTISSEMENT :** Retirez toujours le bloc-piles lorsque vous effectuez une opération d'entretien ou lorsque vous transportez la tondeuse à gazon.

Le dessous du carter de la tondeuse doit être nettoyé après chaque utilisation, car l'herbe coupée, les feuilles, les saletés et autres débris s'accumulent. Cette accumulation n'est pas souhaitable ; elle favorise la rouille et la corrosion.

Enlevez toute accumulation d'herbe et de feuilles sur l'arbre d'entraînement ou autour de l'arbre d'entraînement, ainsi qu'autour du ventilateur du moteur (n'utilisez pas d'eau). Frottez la tondeuse avec un tissu humide pour la nettoyer.

## AFFÛTAGE DES LAMES

**⚠ AVERTISSEMENT :** Protégez-vous toujours les mains en portant des gants épais ou en enveloppant les bords coupants avec des chiffons ou d'autres matériaux lorsque vous effectuez des opérations de maintenance sur la lame de la tondeuse à gazon. Retirez toujours le bloc-piles lorsque vous effectuez une opération d'entretien ou lorsque vous transportez la tondeuse à gazon.

**⚠ AVERTISSEMENT :** Utilisez une protection oculaire appropriée lorsque vous retirez, affûtez et installez la lame.

**⚠ AVERTISSEMENT :** Une lame usée, fissurée ou endommagée peut se casser, et des morceaux de la lame endommagée peuvent devenir des projectiles dangereux. La projection d'objets peut causer des blessures graves. Inspectez régulièrement la lame et ne vous servez pas de la tondeuse si la lame est usée ou endommagée.

**AVIS :** Gardez la lame affûtée pour obtenir les meilleures performances de la tondeuse. Une lame émoussée ne permet pas de couper l'herbe proprement ni de déchiqueter correctement.

Pour retirer la/les lame(s), suivez les instructions du chapitre intitulé « **RETRAIT DE LA LAME** » dans la section « **ASSEMBLAGE** » plus haut dans ce mode d'emploi.

Une lame émoussée peut être affûtée, mais une lame excessivement usée, pliée, fissurée ou autrement endommagée doit être remplacée. Une lame usée ou endommagée peut se briser, et des morceaux de lame peuvent être projetés hors de la tondeuse.

Si les lames sont déformées, faites inspecter la tondeuse par un centre de service agréé EGO.

## FRÉQUENCE D'AFFÛTAGE

Il suffit généralement d'affûter la lame à deux reprises pendant une saison de tonte dans des circonstances normales. Le sable émousse rapidement une lame ; si votre pelouse pousse sur un sol avec beaucoup de sable, un affûtage plus fréquent peut être nécessaire.

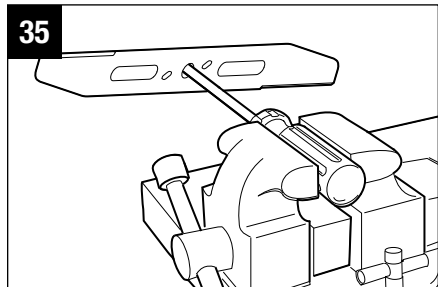
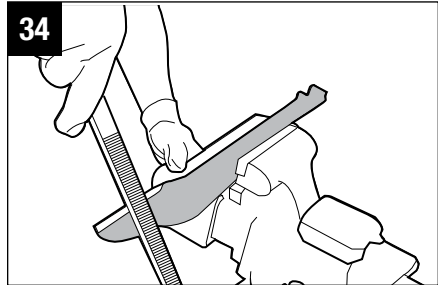


## LORS DE L’AFFÛTAGE DE LA LAME :

- Assurez-vous que la lame est bien équilibrée.
- Affûtez la lame à l’angle de coupe d’origine.
- Affûtez les bords de coupe aux deux extrémités de la lame en retirant une quantité de matériau égale à chaque extrémité.

## POUR AFFÛTER UNE LAME DANS UN ÉTAU :

1. Retirez la lame de la tondeuse (voir chapitre « **RETRAIT DE LA LAME** »).
2. Sécurisez la lame dans un étau (Fig. 34).
3. Portez une protection des yeux appropriée ainsi que des gants, et faites attention de ne pas vous couper.
4. Affûtez les bords de coupe de la lame avec précaution en utilisant une lime à dents fines ou une pierre à aiguiser, et veillez à conserver l’angle du bord de coupe d’origine.
5. Pour vérifier l’équilibre de la lame : fixez un clou ou un tournevis à tige ronde en position horizontale.



Positionnez la lame de manière à ce que le clou ou la tige ronde du tournevis soutienne la lame par son trou central. Équilibrez la lame horizontalement. Si l’une des extrémités de la lame tourne vers le bas, retirez un peu de métal de l’extrémité la plus lourde ou inférieure jusqu’à ce que la lame soit équilibrée. Elle est équilibrée lorsqu’aucune des deux extrémités ne tombe (Fig. 35).

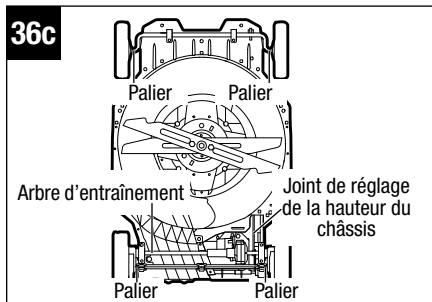
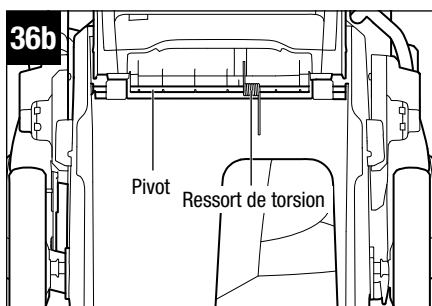
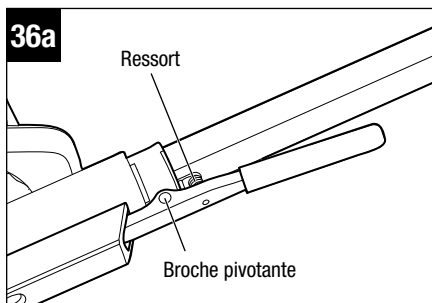
6. Remettez la lame sur la tondeuse et serrez-la bien (voir le chapitre intitulé « **INSTALLATION DE LA LAME** »).

**⚠ AVERTISSEMENT :** Une lame mal équilibrée causera des vibrations excessives quand elle tournera à une vitesse élevée. Elle pourrait endommager la tondeuse et se casser, causant éventuellement des blessures.

## LUBRIFICATION

Lubrifiez avec de l'huile légère comme indiqué ci-dessous au moins une fois par saison.

- Lubrifiez périodiquement le ressort et la broche pivotante du levier de réglage rapide, le ressort de torsion et le pivot de la porte de décharge arrière avec une huile légère pour éviter la rouille (Fig. 36a et 36b).
- Placez la tondeuse en position de rangement sous clé :
  1. Déplacez le levier de réglage de la hauteur de coupe vers l'avant et engagez-le dans la position la plus basse (position 1).
  2. Ouvrez la pince de verrouillage de la poignée et rentrez complètement les rails latéraux en position compacte.
  3. Appuyez sur le levier de réglage rapide avec votre main droite et maintenez-le enfoncé pour libérer la poignée.
  4. Faites pivoter doucement la poignée vers l'avant de la tondeuse ; relâchez le levier de réglage rapide et continuez à faire pivoter la poignée jusqu'à ce que vous entendiez et sentiez la goupille de verrouillage s'engager dans la position de rangement verrouillée.



- Placez la tondeuse repliée à la verticale sur le sol (Fig. 36c).
- Lubrifiez le joint de réglage de la hauteur du châssis.
- Lubrifiez les roulements de l'arbre d'entraînement près des roues arrière et les roulements des roues avant (Fig. 36c).

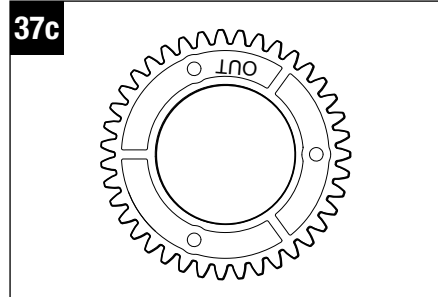
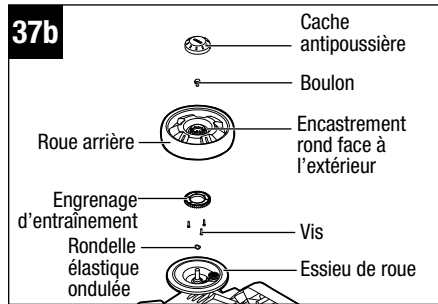
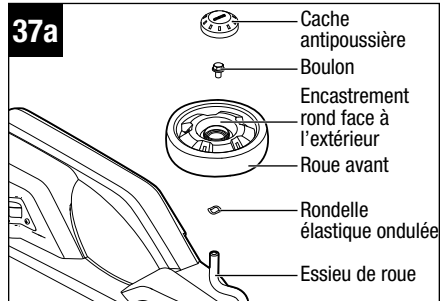
## REPLACEMENT DES ROUES (Fig. 37a, 37b et 37c)

**⚠ AVERTISSEMENT :** Retirez toujours le bloc-piles lorsque vous effectuez une opération d'entretien ou lorsque vous transportez la tondeuse à gazon.

1. Tournez la tondeuse sur le côté, avec la partie supérieure contre un mur.
2. Utilisez un tournevis à lame plate pour dégager le cache-poussière de la roue.
3. Utilisez une clé réglable ou une clé de 13 mm / 1/2 po pour tourner le boulon **DANS LE SENS INVERSE DES AIGUILLES D'UNE MONTRE** afin de le desserrer.
4. Retirez le boulon, la roue usée et la rondelle ondulée de l'axe de roue.
5. Retirez le pignon d'entraînement de la roue usée et montez-le sur la nouvelle roue à l'aide des trois vis.

**REMARQUE :** Lors du montage de l'engrenage d'entraînement, la surface de l'engrenage portant la mention « OUT » doit être orientée vers l'extérieur (Fig. 37c).

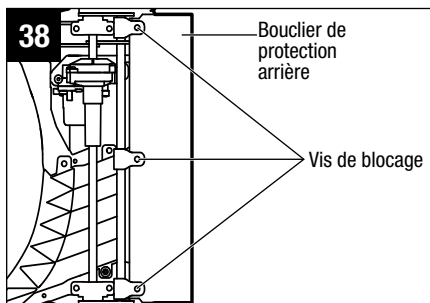
6. Montez la rondelle ondulée et la nouvelle roue sur l'arbre de roue. Notez que l'évidement rond doit être tourné vers l'extérieur.
7. Verrouillez la roue avec le boulon en serrant le boulon dans le sens des aiguilles d'une montre.
8. Montez le cache-poussière sur la roue et appuyez dessus pour le mettre en place.



## REPLACEMENT DU BOUCLIER DE PROTECTION ARRIÈRE

**⚠ AVERTISSEMENT :** Retirez toujours le bloc-piles lorsque vous effectuez une opération d'entretien ou lorsque vous transportez la tondeuse à gazon.

**⚠ AVERTISSEMENT :** N'utilisez jamais la tondeuse si le bouclier de protection n'est pas en place et ne fonctionne pas. N'utilisez jamais la tondeuse si certains de ses dispositifs de sécurité sont endommagés. Sinon, vous risqueriez de causer des blessures. Le bouclier arrière est sujet à l'usure et aux dommages, ce qui pourrait exposer les pièces mobiles ou permettre la projection d'objets. Pour des raisons de sécurité, vérifiez fréquemment le bouclier de protection et remplacez-le immédiatement par une pièce de rechange identique indiquée dans ce mode d'emploi.



1. Retirez la pile.
2. Tournez la tondeuse sur le côté, avec la partie supérieure contre le mur.
3. Desserrez et retirez les trois vis de blocage du bouclier de protection ; retirez le bouclier de protection usé (Fig. 38).
4. Remplacez-le par un nouveau bouclier de protection arrière et fixez-le avec les trois vis de blocage.

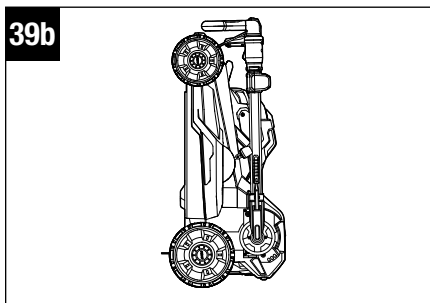
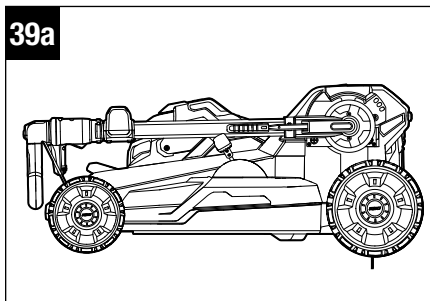
## **RANGEMENT DE LA TONDEUSE**

Les mesures suivantes doivent être prises pour préparer la tondeuse à gazon en vue de son stockage.

1. Retirez le bloc-piles de la tondeuse et rangez-le à température ambiante dans un endroit sec.
2. Nettoyez la tondeuse comme décrit précédemment dans la section sur l'entretien.
3. Inspectez la lame et remplacez-la ou affûtez-la si nécessaire.
4. Lubrifiez la tondeuse.
5. Rangez la tondeuse dans un endroit sec et propre. Ne la rangez pas à côté de matériaux corrosifs tels que des engrais ou du sel gemme.
6. Rangez la tondeuse dans un endroit couvert et fermé, frais et sec, hors de portée des enfants.
7. Ne couvrez pas la tondeuse à gazon avec une feuille de plastique solide. Les emballages en plastique capturent l'humidité autour de la tondeuse, ce qui produit de la rouille et de la corrosion.

**La poignée peut être complètement repliée pour être rangée :**

1. Retirez le sac à herbe.
2. Déplacez le levier de réglage de la hauteur de coupe vers l'avant et engagez-le dans la position la plus basse (position 1).
3. Ouvrez la pince de verrouillage de la poignée et rentrez complètement les rails latéraux en position compacte.
4. Appuyez sur le levier de réglage rapide d'une main et maintenez-le enfoncé pour libérer la poignée. Faites pivoter doucement la poignée vers l'avant de la tondeuse ; relâchez le levier de réglage rapide et continuez à faire pivoter la poignée jusqu'à ce que vous entendiez et sentiez la goupille de verrouillage s'engager dans la position de rangement verrouillée.
5. Rangez la tondeuse à la verticale ou à plat (Fig. 39a & 39b).



**⚠ AVERTISSEMENT :** Si la tondeuse bascule depuis la position verticale, elle risque d'être endommagée ou de provoquer des blessures. Gardez toujours la tondeuse stable et hors de portée des enfants lorsqu'elle est en position verticale. Si possible, posez-la à plat pour la ranger.

# RECHERCHE DE LA CAUSE DES PROBLÈMES

**⚠ AVERTISSEMENT :** Retirez toujours le bloc-piles lorsque vous effectuez une opération d'entretien ou lorsque vous transportez la tondeuse à gazon. Protégez-vous toujours les mains en portant des gants épais ou en enveloppant les bords coupants avec des chiffons ou d'autres matériaux lorsque vous effectuez des opérations de maintenance sur la lame de la tondeuse à gazon.

PROBLÈME	CAUSE	SOLUTION
La tondeuse ou le système d'autopropulsion ne démarre pas.	<ul style="list-style-type: none"> <li>■ Le bloc-piles est déchargé.</li> <li>■ Le bloc-piles n'a pas été inséré correctement dans le compartiment des piles.</li> <li>■ Le bloc-piles ou le circuit de la tondeuse à gazon est trop chaud. (Voir le chapitre intitulé « <b>INDICATEURS D'ÉTAT SUR L'ÉCRAN ACL DE LA TONDEUSE</b> »).</li> <li>■ Les rails latéraux ne sont pas déployés à leur longueur maximale, ou la pince n'est pas verrouillée en position.</li> <li>■ La poignée n'est pas engagée dans l'une des trois positions de fonctionnement.</li> <li>■ Le châssis de la tondeuse est encombré par de l'herbe et des débris.</li> </ul>	<ul style="list-style-type: none"> <li>■ Chargez le bloc-piles.</li> <li>■ Attachez le bloc-piles à la tondeuse et appuyez dessus jusqu'à ce que vous entendiez un déclic.</li> <li>■ Laissez le bloc-piles ou la tondeuse refroidir jusqu'à ce que la température descende en dessous de 67° C / 152° F.</li> </ul> <p>Déployez complètement les rails latéraux et verrouillez à nouveau la pince de fixation de la poignée.</p> <ul style="list-style-type: none"> <li>■ Réglez la poignée sur l'une des trois positions d'utilisation.</li> <li>■ Nettoyez le châssis de la tondeuse et assurez-vous que la lame tourne librement.</li> </ul>

PROBLÈME	CAUSE	SOLUTION
<p>La tondeuse coupe de manière irrégulière</p>	<ul style="list-style-type: none"> <li>■ La lame est émoussée.</li> <li>■ La hauteur de coupe de l'herbe n'est pas réglée correctement.</li> <li>■ La lame est mal assemblée.</li>   <li>■ Le mode de réglage de la vitesse de la lame n'est pas réglé correctement.</li> </ul>	<ul style="list-style-type: none"> <li>■ Affûtez la lame ou remplacez-la.</li> <li>■ Réglez la hauteur du châssis à un niveau plus élevé.</li> <li>■ Remontez la lame en suivant les instructions du chapitre intitulé « <b>INSTALLATION DE LA LAME</b> » dans ce mode d'emploi.</li> <li>■ Sélectionnez un mode de réglage de la vitesse de lame plus rapide.</li> </ul>
<p>L'autonomie de fonctionnement de la tondeuse avec la pile incluse est courte.</p>	<ul style="list-style-type: none"> <li>■ L'état de l'herbe et le réglage de la hauteur de coupe affectent dans une large mesure l'autonomie de fonctionnement de la tondeuse à piles. L'autonomie de fonctionnement indiquée est basée sur des conditions de charge légère.</li> <li>■ Le mode de réglage de la vitesse de la lame n'est pas configuré correctement.</li> </ul>	<ul style="list-style-type: none"> <li>■ Élevez la hauteur de la lame et avancez moins vite pour réduire la charge de coupe.</li>   <li>■ Sélectionnez un mode de réglage de la vitesse de la lame plus lent.</li> </ul>
<p>La tondeuse ne déchiquette pas correctement.</p>	<ul style="list-style-type: none"> <li>■ Des déchets d'herbe coupée mouillés adhèrent au dessous du châssis.</li> <li>■ La tondeuse est paramétrée pour couper trop d'herbe à la fois.</li> <li>■ Le mode de réglage de la vitesse de la lame n'est pas configuré correctement.</li> </ul>	<ul style="list-style-type: none"> <li>■ Attendez que l'herbe sèche avant de la tondre.</li> <li>■ Relevez le châssis à une hauteur de coupe plus élevée.</li> <li>■ Sélectionnez un mode de réglage de la vitesse de lame plus rapide.</li> </ul>



PROBLÈME	CAUSE	SOLUTION
<p>La tondeuse s'arrête pendant la tonte.</p>	<ul style="list-style-type: none"> <li>■ Les piles du bloc-piles sont déchargées.</li> <li>■ La tondeuse est en état de surcharge.</li> <li>■ Le châssis de tondeuse est encombré par de l'herbe et des débris.</li> <li>■ Le bloc-piles ou les composants électroniques de la tondeuse sont trop chauds (le voyant d'alimentation de la tondeuse s'allume en orange pendant 10 secondes).</li> <li>■ Le rail latéral est légèrement rétracté par la force de poussée appliquée sur la poignée.</li> <li>■ Le mode de réglage de la vitesse de la lame n'est pas configuré correctement.</li> </ul>	<ul style="list-style-type: none"> <li>■ Chargez le bloc-piles.</li> <li>■ Augmentez la hauteur de coupe ou ralentissez la vitesse de tonte.</li> <li>■ Désobstruez le châssis de la tondeuse. Augmentez la hauteur de coupe et/ou coupez un andain plus étroit.</li> <li>■ Laissez le bloc-piles ou la tondeuse refroidir jusqu'à ce que la température descende en dessous de 67° C / 152° F.</li> <li>■ Déverrouillez les pinces de fixation. Déployez complètement les rails latéraux et verrouillez à nouveau les pinces de fixation de la poignée.</li> <li>■ Configurez la vitesse de rotation de la lame sur un réglage inférieur.</li> </ul>

PROBLÈME	CAUSE	SOLUTION
Les vibrations sont excessives.	<ul style="list-style-type: none"> <li>■ La lame de coupe n'est pas assez serrée.</li> <li>■ La lame de coupe est déséquilibrée.</li>   <li>■ La lame de coupe est tordue.</li> <li>■ L'arbre du moteur est tordu.</li>   <li>■ La tondeuse est paramétrée pour couper trop d'herbe à la fois.</li> <li>■ Le mode de réglage de la vitesse de la lame n'est pas configuré correctement.</li> </ul>	<ul style="list-style-type: none"> <li>■ Serrez l'écrou de verrouillage extérieur.</li> <li>■ Équilibrez l'ensemble de lame en suivant les instructions du chapitre intitulé « <b>AFFÛTAGE DE LA LAME</b> ».</li> <li>■ Remplacez la lame.</li> <li>■ Contactez le centre de service à la clientèle.</li> <li>■ Relevez le châssis à une hauteur de coupe plus élevée.</li> <li>■ Configurez la vitesse de rotation de la lame sur un réglage inférieur.</li> </ul>
Il est difficile de tirer la tondeuse vers l'arrière lorsque le système d'autopropulsion est mis hors tension.	<ul style="list-style-type: none"> <li>■ Les rails latéraux ne sont pas totalement déployés.</li> </ul>	<ul style="list-style-type: none"> <li>■ Déployez complètement les rails latéraux, puis verrouillez la pince de fixation de la poignée.</li> </ul>
Il est difficile de manœuvrer la tondeuse pour tondre autour d'un objet ou avec un mouvement de va et vient quand le mode d'autopropulsion est utilisé.	<ul style="list-style-type: none"> <li>■ Les roues sont temporairement bloquées.</li> </ul>	<ul style="list-style-type: none"> <li>■ Mettez hors tension le système d'autopropulsion.</li> </ul>

PROBLÈME	CAUSE	SOLUTION
Le moteur fonctionne, mais la lame ne coupe pas l'herbe.	<ul style="list-style-type: none"><li>■ La lame n'est pas serré au couple requis.</li></ul>	<ul style="list-style-type: none"><li>■ Resserrez la lame. Le couple recommandé pour le boulon de fixation de la lame est de 49-59 Nm / 36-43 pi-lb.</li></ul>
L'écran ACL ne s'allume pas / ne s'illumine pas.	<ul style="list-style-type: none"><li>■ Le bouton de sécurité est enfoncée pendant moins d'une seconde.</li></ul>	<ul style="list-style-type: none"><li>■ L'écran ACL s'allumera après que le bouton de Sécurité aura été enfoncé pendant une seconde.</li></ul>

# GARANTIE

## POLITIQUE D'EGO EN MATIÈRE DE GARANTIE

Garantie limitée de 5 ans sur les équipements d'alimentation électrique d'extérieur EGO POWER+ et les équipements d'alimentation électrique portable pour un usage personnel et domestique.

Garantie limitée de 3 ans sur les blocs-piles et chargeurs du système EGO POWER+ pour un usage personnel et domestique. Une extension de garantie supplémentaire de deux ans s'applique à la pile de 10,0 Ah/12,0 Ah, qu'elle soit vendue séparément (Modèle N° BA5600T/BA6720T) ou incluse avec un outil quelconque, à condition d'être enregistrée dans les 90 jours de l'achat. Garantie limitée de cinq ans sur le chargeur CHV1600, conçu pour être employé avec la tondeuse à conducteur porté à rayon de braquage zéro pour utilisation personnelle, résidentielle

Garantie limitée de 2 ans/1 an sur les équipements d'alimentation électrique d'extérieur, les équipements d'alimentation électrique portables, les blocs-piles et les chargeurs EGO pour un usage professionnel et commercial.

La durée et les détails de la garantie de chaque produit sont indiqués en ligne à l'adresse <http://egopowerplus.com/warranty-policy>

**Veillez communiquer avec le service à la clientèle d'EGO au 1 855 EGO-5656 (numéro sans frais)** pour toute question sur les réclamations au titre de la garantie.

## GARANTIE LIMITÉE

Les produits EGO sont garantis contre tout défaut de matériel ou de fabrication à compter de la date d'achat d'origine pour la période de garantie applicable. Les produits défectueux recevront une réparation gratuite.

- a) Cette garantie s'applique uniquement à l'acheteur initial s'étant procuré le produit chez un détaillant EGO autorisé et est non transférable. La liste des détaillants EGO autorisés est publiée en ligne sur le site <http://egopowerplus.com/warranty-policy>
- b) La période de garantie pour les produits remis en état ou certifiés par l'usine utilisés à des fins résidentielles est de 1 an, et de 90 jours lorsqu'ils sont utilisés à des fins industrielles, professionnelles ou commerciales.
- c) La période de garantie pour les pièces d'entretien de routine, telles que, mais sans s'y limiter, le siège de la tondeuse à conducteur porté, les roues, les pneus, les roues anti-scalp, le disque de frein, le bloc de friction, les lames, les têtes de coupe, les barres de chaîne, les chaînes de scie, les courroies, les barres de raclage, les palettes en caoutchouc, les tarières, les patins, les buses de soufflante et tous les autres accessoires EGO est de 90 jours à des fins résidentielles ou de 30 jours à des fins industrielles, professionnelles ou commerciales. Ces pièces sont couvertes pendant 90 ou 30 jours contre tout défaut de fabrication dans des conditions d'utilisation normales.

- d) La présente garantie n'est pas valide si le produit a été utilisé aux fins de location.
- e) La présente garantie ne couvre pas les dommages résultant d'une modification, d'une altération ou d'une réparation non autorisée.
- f) Cette garantie couvre uniquement les défauts survenant dans des conditions normales d'utilisation et ne couvre aucun dysfonctionnement ou défaut ni aucune défaillance découlant d'un usage inapproprié ou abusif (notamment la surcharge du produit et son immersion dans l'eau ou dans tout autre liquide), d'un accident, d'une négligence, d'une installation inadéquate et de tout entretien ou entreposage inadéquat.
- g) La présente garantie ne couvre pas la détérioration normale du fini extérieur, notamment les rayures, les bosselures, les craquelures de la peinture ou toute corrosion ou décoloration résultant de la chaleur, de produits abrasifs ou de nettoyeurs chimiques.

## RÉCLAMATION AU TITRE DE LA GARANTIE

Pour faire une réclamation au titre de la garantie, veuillez communiquer avec le service à la clientèle d'EGO au **1 855 EGO-5656** (numéro sans frais). Lorsque vous faites une réclamation au titre de la garantie, vous devez présenter le reçu de vente original. Un centre de service autorisé sera sélectionné pour la réparation du produit conformément aux conditions de garantie prescrites. Il se peut qu'un petit dépôt soit exigé lorsque vous laissez votre outil dans un centre de service autorisé. Ce dépôt est remboursable lorsque le service de réparation est considéré comme étant couvert par la garantie.

## RESTRICTIONS SUPPLÉMENTAIRES

Dans la mesure permise par la loi en vigueur, toutes les garanties implicites, y compris les garanties de QUALITÉ MARCHANDE ou D'ADÉQUATION À UN USAGE PARTICULIER, sont exclues. Toute garantie implicite, y compris la garantie de qualité marchande ou d'adéquation à un usage particulier, qui ne peut être rejetée en vertu de la loi de l'État ou de la province est limitée à la période de garantie applicable définie au début de cet article.

Chervon North America n'est pas responsable des dommages accessoires, consécutifs, indirects ou directs.

Certaines provinces n'autorisent pas les restrictions de durée de garantie implicite, ou l'exclusion ou la restriction des dommages consécutifs et accessoires; c'est pourquoi les restrictions ci-dessus peuvent ne pas s'appliquer à votre cas.

Cette garantie vous confère des droits précis. Il est possible que vous disposiez également d'autres droits, qui varient d'une province à l'autre.

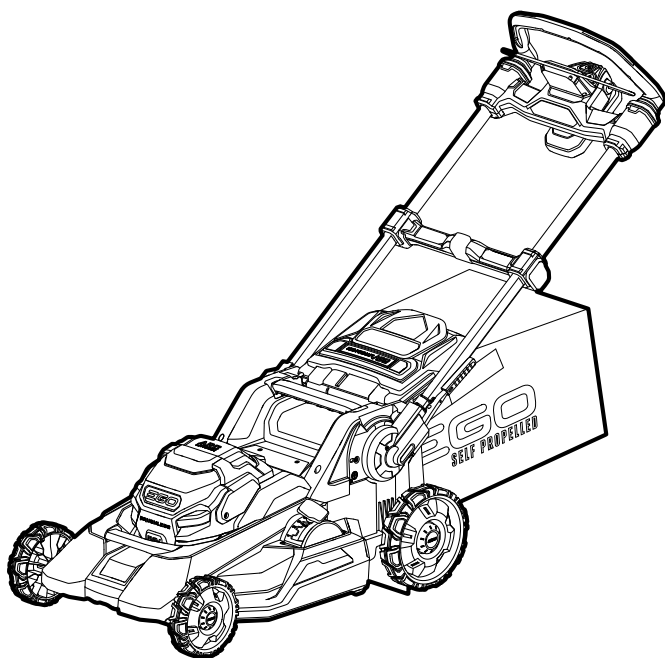
Pour communiquer avec le service à la clientèle, veuillez composer le numéro sans frais suivant : **1 855 EGO-5656** ou consulter le site Web **EGOPOWERPLUS.COM**.

EGO Customer Service, 769 SEWARD AVE NW / Suite 102 Grand Rapids, MI 49504, États-Unis.



# EGO™

POWER<sup>+</sup> MOWER



## MANUAL DE OPERACIONES

# CORTADORA INALÁMBRICA DE IONES DE LITIO DE 56 VOLTIOS

MODELO NÚMERO LM2160SP/LM2160SP-FC

**⚠ ADVERTENCIA:** Para reducir el riesgo de lesiones, el usuario debe leer y comprender el Manual del usuario antes de usar el producto. Guarde estas instrucciones para consultarlas en el futuro.

## ÍNDICE

Símbolos de seguridad .....	129
Instrucciones de seguridad .....	130-132
Reglas de seguridad de la cortadora de césped inalámbrica .	133-140
Introducción .....	141
Especificaciones .....	142-143
Lista de empaque .....	143
Accesorios .....	144
Descripción .....	145-149
Ensamblaje .....	150-163
Funcionamiento .....	164-178
Mantenimiento .....	179-186
Solución de problemas .....	187-190
Garantía .....	191-193



## SÍMBOLOS DE SEGURIDAD

Estos símbolos de seguridad se utilizan para advertirle sobre los posibles peligros. Los símbolos de seguridad y las explicaciones que los acompañan merecen cuidadosa atención y comprensión. Por sí solos, los símbolos de advertencia no eliminan los peligros. Las instrucciones y advertencias que proporcionan no reemplazan a las medidas adecuadas de prevención de accidentes.

**⚠ ADVERTENCIA:** Antes de utilizar esta herramienta, asegúrese de leer y comprender todas las instrucciones de seguridad en este Manual del usuario, incluidos todos los símbolos de alerta de seguridad como **"PELIGRO"**, **"ADVERTENCIA"** y **"PRECAUCIÓN"**. Si no se siguen todas las instrucciones que se indican a continuación, se pueden producir descargas eléctricas, incendios o lesiones personales graves.

## SIGNIFICADO DE LOS SÍMBOLOS

**⚠ SÍMBOLO DE ALERTA DE SEGURIDAD:** Indica **PELIGRO, ADVERTENCIA O PRECAUCIÓN**. Puede emplearse junto con otros símbolos o pictografías.



**⚠ ADVERTENCIA:** La operación de cualquier herramienta eléctrica puede causar que se disparen objetos extraños hacia sus ojos, lo que puede resultar en daños graves en los ojos. Antes de comenzar a operar una herramienta eléctrica, use siempre gafas protectoras o anteojos de seguridad con protección lateral y un protector facial si es necesario. Le recomendamos usar una máscara de seguridad de visión amplia sobre anteojos o anteojos de seguridad estándar con protección lateral. Use siempre protección ocular con la marca de cumplimiento de la norma ANSI Z87.1.

# INSTRUCCIONES DE SEGURIDAD

Esta página presenta y describe los símbolos de seguridad que pueden aparecer en este producto. Lea, comprenda y siga todas las instrucciones que figuran en la máquina antes de intentar ensamblarla y operarla.

	Alerta de seguridad	Indica un posible peligro de lesiones personales.
	Protección ocular	Use siempre gafas protectoras o anteojos con protección lateral y un protector facial al operar este producto.
	Lea el Manual del usuario	Para reducir el riesgo de lesiones, el usuario debe leer y comprender el Manual del usuario antes de usar este producto.
	Mantenga los dispositivos de seguridad	No abra ni se quite los dispositivos de seguridad mientras la máquina está en funcionamiento.
	Mire hacia atrás mientras retrocede.	Mire hacia abajo y hacia atrás antes de retroceder para evitar tropezarse.
	PELIGRO: Mantenga las manos y los pies alejados	Para reducir el riesgo de lesiones, mantenga las manos y pies alejados de las piezas giratorias. No lo use a menos que la puerta de descarga o la bolsa de hierba está en su lugar. Si está dañado, reemplácelo inmediatamente.
	PELIGRO: Mantenga a otras personas alejadas	No corte el césped si hay niños u otras personas cerca.

	<p>PELIGRO: Pueden saltar residuos</p>	<p>Quite los objetos que puedan ser arrojados por la cuchilla en cualquier dirección. Use anteojos de seguridad.</p>
	<p>PELIGRO: Cuidado con las pendientes pronunciadas</p>	<p>Extreme las precauciones en las pendientes. No pise el césped si la pendiente es superior a los 15 grados.</p>
	<p>Símbolos de reciclaje</p>	<p>Este producto usa baterías de ion de litio. Las leyes locales, estatales o federales pueden prohibir que las baterías se desechen junto con la basura normal. Consulte con la autoridad de residuos local para obtener información acerca de las opciones de reciclado o de desecho disponibles.</p>
<p>V</p>	<p>Voltios</p>	<p>Voltaje</p>
	<p>Corriente continua</p>	<p>Tipo o característica de corriente</p>
<p>mm</p>	<p>Milímetros</p>	<p>Largo o tamaño</p>
<p>in.</p>	<p>Pulgadas</p>	<p>Largo o tamaño</p>
<p>kg</p>	<p>Kilogramos</p>	<p>Peso</p>
<p>lb</p>	<p>Libras</p>	<p>Peso</p>
<p>L</p>	<p>Litros</p>	<p>Volume</p>
<p>bu</p>	<p>Bushel</p>	<p>Volumen</p>
<p>min</p>	<p>Minutos</p>	<p>Tiempo</p>
<p><math>n_0</math></p>	<p>Velocidad sin carga</p>	<p>Velocidad de rotación, sin carga</p>

RPM	Revoluciones por minuto	Velocidad de rotación
°C	Grados Celsius	Temperatura
°F	Grados Fahrenheit	Temperatura

**⚠ ADVERTENCIA:** Para garantizar la seguridad y confiabilidad, todas las reparaciones las debe realizar un técnico calificado.

# REGLAS DE SEGURIDAD DE LA CORTADORA DE CÉSPED INALÁMBRICA

**⚠ PELIGRO:** Esta máquina fue construida para ser operada conforme a las reglas de operación segura que se incluyen en este manual. Al igual que con cualquier tipo de equipo eléctrico, un error o un descuido del usuario puede provocar lesiones graves. Esta máquina puede amputar manos y pies y arrojar objetos. No seguir todas las instrucciones de seguridad podría ocasionar lesiones graves o incluso la muerte.

**⚠ ADVERTENCIA:** Al usar cortadoras de césped eléctricas, siempre se deben tomar medidas de seguridad básicas para reducir el riesgo de incendios, descargas eléctricas o lesiones personales. A continuación se detallan algunas medidas básicas:

## NIÑOS

Pueden ocurrir accidentes trágicos si el usuario no está atento a la presencia de niños. Los niños suelen sentirse atraídos por la cortadora y el movimiento de la máquina. No comprenden los peligros. Nunca suponga que los niños permanecerán donde los vio por última vez.

- Mantenga a los niños alejados del área donde esté cortando el césped y asegúrese de que estén bajo el cuidado de un adulto responsable que no sea el usuario.
- Esté atento y apague la cortadora si un niño ingresa al área donde está cortando.
- Extreme los cuidados cuando se acerque a esquinas con visibilidad restringida, entradas, arbustos, árboles o a otros objetos que puedan limitar la visión y que le impidan ver si un niño se está acercando a la cortadora.
- No le permita nunca a un menor de 14 años operar una cortadora eléctrica. Las personas mayores de 14 años deben leer y comprender las instrucciones de operación y las reglas de seguridad de este manual, y un adulto debe capacitarlos y supervisarlos. Solo deben usar esta máquina las personas responsables que conozcan estas reglas para operarla de modo seguro.

## OPERACIÓN

### OPERACIÓN GENERAL:

- Lea detenidamente este Manual del usuario en su totalidad antes de intentar ensamblar esta máquina. Lea, comprenda y siga todas las instrucciones que figuran en la máquina y en los manuales antes de operarla. Debe conocer completamente los controles y el uso adecuado de esta máquina antes de operarla. Conserve este manual en un lugar seguro para consultarlo regularmente en el futuro y para pedir piezas de repuesto.
- Manténgase alerta: Fíjese en lo que está haciendo. Use el sentido común. No utilice la cortadora de césped cuando esté cansado.
- No utilice la máquina mientras esté bajo la influencia del alcohol o las drogas.
- Mantenga alejados a los niños: Se deberá mantener a todos los visitantes a una distancia segura del área de trabajo
- Mantenga las manos y los pies alejados del área de corte.
- No use el producto bajo la lluvia.
- Use el aparato adecuado: No use la cortadora de césped para ninguna otra tarea que no sea la prevista.
- No se extralimite: Mantenga el punto de apoyo y el equilibrio adecuado en todo momento.
- Los objetos golpeados por la cortadora de césped pueden causar lesiones graves a las personas. Siempre debe revisar cuidadosamente el césped y quitar todos los objetos del área antes de empezar a cortar.
- Antes de retroceder y mientras retrocede, mire hacia atrás y hacia abajo para controlar que no haya niños pequeños ni otras personas.
- No fuerce la cortadora de césped: esta máquina funcionará mejor y de modo más seguro si se usa al ritmo para el cual se diseñó.
- Planifique su patrón de corte para evitar la descarga de material hacia carreteras, aceras, transeúntes y similares. Además, evite descargar material contra paredes u obstrucciones, lo que puede hacer que el material descargado rebote hacia el operador.

- Para evitar el contacto con la cuchilla o una herida por los objetos arrojados, manténgase en la zona del usuario, detrás de las empuñaduras, y evite que los niños, los transeúntes, los asistentes y las mascotas se acerquen a menos de 100 pies (30 m) de la cortadora mientras está en funcionamiento. Apague la máquina si alguien ingresa en la zona donde está cortando.
- Use siempre anteojos de seguridad o gafas protectoras mientras opere la cortadora y realice un ajuste o una reparación para proteger sus ojos. Los objetos arrojados por la cuchilla pueden rebotar y causar lesiones oculares graves. Use siempre una máscara antipolvo o que cubra el rostro si operará en una zona con mucho polvo.
- Vístase adecuadamente: No use ropa holgada ni joyas. Pueden quedar atrapadas en las piezas móviles. Se recomienda utilizar guantes y calzado de caucho cuando se trabaje a la intemperie. Use zapatos de trabajo robustos con suela fuerte y pantalones y camisas que queden ajustados. Se recomiendan las camisas y los pantalones que cubren los brazos y las piernas, y los zapatos con punta de acero. No utilice nunca esta máquina con los pies desnudos, sandalias, zapatos resbalosos o zapatos ligeros (p. ej., de lona).
- Nunca jale la cortadora hacia su cuerpo mientras camina. Si debe mover la cortadora hacia atrás para evitar una pared o un obstáculo, antes debe mirar hacia atrás y hacia abajo para evitar tropezarse y luego, siga estos pasos:
  - Aléjese un paso hacia atrás para poder extender completamente los brazos.
  - Asegúrese de estar bien parado, con los pies firmes.
  - Mueva la cortadora hacia atrás lentamente, hasta no más de la mitad del recorrido de sus brazos.
  - Repita estos pasos cada vez que sea necesario.
- Mantenga el área de utilización despejada de todos los curiosos, en especial de niños pequeños. Detenga la máquina y el aditamento (los aditamentos) si alguien entra en el área.
- La palanca de control de la cuchilla y el motor es un dispositivo de seguridad. Nunca intente alterar su operación. De lo contrario, este dispositivo de seguridad no funcionará y podría causar lesiones personales por el contacto con la cuchilla giratoria. La palanca de control de la cuchilla y el motor debe moverse fácilmente en ambas direcciones y, al soltarla, debe regresar automáticamente a la posición de desenganche.
- Mantenga siempre un punto de apoyo estable. No use la podadora de césped en lugares húmedos o mojados para evitar resbalones y caídas durante el funcionamiento.

- Siempre esté seguro de su posición. Un resbalón y una caída pueden causar lesiones personales graves. Si siente que está perdiendo el equilibrio, suelte la palanca de control del motor / cuchilla inmediatamente y la cuchilla dejará de girar en tres segundos
- Pude el césped durante el día o con buena luz artificial. Camine, nunca corra.
- Detenga la cuchilla antes de cruzar aceras, caminos o senderos con gravas.
- Si el equipo comienza a vibrar de un modo anormal, detenga el motor y verifique inmediatamente la causa. La vibración, generalmente, advierte un problema.
- Manténgase alejado de la abertura de descarga en todo momento.
- Apague el motor y espere hasta que la cuchilla se detenga completamente, quite el paquete de baterías antes de limpiar la máquina, quitar o reemplazar la bolsa recolectora, el accesorio de trituración o el conducto lateral de descarga, o desatascar el conducto. La cuchilla de corte sigue girando unos segundos después de que se apaga el motor. No coloque ninguna parte del cuerpo en la zona de la cuchilla hasta que esté seguro de que esta ha dejado de girar.
- No opere la cortadora si no tiene la protección posterior adecuada, la puerta de descarga, la bolsa recolectora, el accesorio de trituración, el conducto lateral de descarga, la palanca de control de la cuchilla y el motor o cualquier otro dispositivo protector de seguridad en su lugar y funcionando correctamente. Nunca opere la cortadora si los dispositivos de seguridad están dañados. De lo contrario, se pueden producir lesiones personales.
- Si se presentan situaciones que no están previstas en este manual, tenga cuidado y use el sentido común. Comuníquese con el Servicio al Cliente de EGO para recibir ayuda.
- Prevenga los arranques accidentales. Asegúrese de que el interruptor esté en la posición de apagado antes de conectar el aparato eléctrico a un paquete de batería, levantarlo o transportarlo. Si transporta el aparato eléctrico con el dedo en el interruptor o si suministra corriente a un aparato eléctrico que tenga el interruptor en la posición de encendido, se invita a que se produzcan accidentes.
- Desconecte el paquete de batería del aparato eléctrico antes de hacer cualquier ajuste, cambiar accesorios o almacenar el aparato eléctrico. Dichas medidas preventivas de seguridad reducen el riesgo de arrancar accidentalmente el aparato eléctrico.
- Recargue solo con el cargador especificado por el fabricante. Es posible que un cargador que sea adecuado para un tipo de batería cree un riesgo de incendio cuando se utilice con otro paquete de batería.



- Utilice los aparatos eléctricos solo con los paquetes de batería designados específicamente. Es posible que el uso de cualquier otro paquete de batería cree un riesgo de lesiones e incendio.

PAQUETE DE BATERÍAS	CARGADOR
BA1400, BA1400-FC, BA2240T, BA2240T-FC, BA2800, BA2800-FC, BA4200, BA4200-FC, BA1400T, BA1400T-FC, BA2800T, BA2800T-FC, BA4200T, BA4200T-FC, BA5600T, BA5600T-FC, BA2242T, BA2242T-FC, BA6720T, BA6720T-FC, BA3360T, BA3360T-FC	CH2100, CH2100-FC CH5500, CH5500-FC CH2800D, CH2800D-FC CH7000, CH7000-FC CH3200, CH3200-FC

- Cuando el paquete de batería no se esté utilizando, manténgalo alejado de otros objetos metálicos, tales como clips sujetapapeles, monedas, llaves, clavos, tornillos u otros objetos metálicos pequeños que puedan hacer una conexión de un terminal a otro. Es posible que cortocircuitar los terminales de la batería juntándolos cause quemaduras o un incendio.
- En condiciones abusivas, es posible que se expulse líquido de la batería; evite el contacto. Si se produce contacto accidentalmente, enjuáguese con agua. Si el líquido entra en contacto con los ojos, obtenga además ayuda médica. Es posible que el líquido expulsado de la batería cause irritación o quemaduras.
- No utilice un paquete de batería o un aparato eléctrico que esté dañado o modificado. Es posible que las baterías dañadas o modificadas exhiban un comportamiento imprevisible que tenga como resultado incendio, explosión o riesgo de lesiones.
- No exponga un paquete de batería o un aparato eléctrico a un fuego o a una temperatura excesiva. Es posible que la exposición a un fuego o a una temperatura superior a 265 °F (130 °C) cause una explosión.
- Siga todas las instrucciones de carga y no cargue el paquete de batería ni el aparato eléctrico fuera del intervalo de temperatura especificado en las instrucciones. Es posible que la realización de la carga de manera incorrecta o a temperaturas que estén fuera del intervalo especificado dañe la batería y aumente el riesgo de incendio.
- Haga que el servicio de ajustes y reparaciones sea realizado por un técnico de servicio calificado que utilice solo piezas de repuesto idénticas. Esto garantizará que se mantenga la seguridad del producto.

- No modifique ni intente reparar el aparato eléctrico o el paquete de batería, excepto tal y como se indique en las instrucciones de uso y cuidado.

## **OPERACIÓN EN PENDIENTE:**

Las pendientes son una de las causas principales de accidentes relacionados con caídas y resbalones, que pueden producir lesiones graves. La operación en pendientes requiere precaución adicional. Si no se siente seguro en una pendiente, no pode. Para su seguridad, use el indicador de pendientes que se incluye en este manual para medir pendientes antes de operar esta unidad en un área empinada o en pendiente. Si la pendiente es superior a los 15 grados, no pode.

No utilice la máquina en ninguna situación en la que la estabilidad esté en duda. Las llantas podrían deslizarse incluso si las ruedas están detenidas.

Tenga cuidado adicional cuando utilice la máquina con un colector de pasto, ya que esto puede afectar a la estabilidad de la misma.

## **Qué debe hacer:**

- Pode de forma transversal a las pendientes, nunca hacia arriba ni hacia abajo. Tenga mucho cuidado cuando cambie de dirección en las pendientes.
- Esté atento a los hoyos, surcos, rocas, objetos ocultos o irregularidades que puedan provocar un resbalón o tropiezo. El césped alto puede ocultar obstáculos.

## **Qué no debe hacer:**

- No pode el césped cerca de barrancos, zanjas o terraplenes; puede perder el equilibrio o el punto de apoyo.
- No pode si el indicador de pendientes indica que la pendiente es superior a los 15 grados.
- No pode el césped si está mojado. Un punto de apoyo inestable podría provocar resbalones.

## MANTENIMIENTO

**⚠ ADVERTENCIA:** Los componentes de la bolsa de pasto, la cubierta de descarga, el conducto de descarga lateral, el inserto de trituración y el escudo trasero están sujetos a desgaste y daños, lo cual podría dejar al descubierto las piezas móviles o dejar que se lancen objetos al aire, lo cual podría aumentar el riesgo de lesiones. Por protección de seguridad, compruebe todos los componentes y reemplace inmediatamente los componentes dañados por piezas de repuesto EGO idénticas.

- Si la protección contra sobrecargas incorporada a la cortadora se dispara con frecuencia, comuníquese con el Servicio al Cliente de EGO o con el centro de servicio de EGO más cercano.
- No lave la cortadora con manguera; evite que el motor y las conexiones eléctricas se mojen.
- Retire la batería y guarde la cortadora de césped inactiva en el interior cuando no la use. Deje enfriar el motor antes de guardarla en un lugar cerrado. La cortadora de césped debe guardarse en un lugar seco y alto o cerrado con candado para que quede fuera del alcance de los niños.
- Cuando haga servicio de ajustes y reparaciones, utilice solo piezas de repuesto EGO idénticas. Es posible que el uso de piezas que no cumplan con las especificaciones del equipo original cause un funcionamiento incorrecto y ponga en peligro la seguridad.
- Quite o desconecte el paquete de baterías antes de hacer el mantenimiento, limpiar o quitar material de la cortadora de césped.
- Siga las instrucciones para lubricar y cambiar accesorios.
- Mantenga las empuñaduras limpias, secas y sin aceite ni grasa.
- Para reducir el peligro de incendio, controle que no haya césped, hojas ni residuos acumulados en la cubierta del motor.
- Compruebe los pernos de montaje de la cuchilla y del motor a intervalos frecuentes para asegurarse de que estén apretados correctamente. Además, inspeccione visualmente la cuchilla para determinar si está dañada (p. ej., doblada, agrietada y desgastada). Reemplace la cuchilla solo con una cuchilla de repuesto EGO idéntica, tal y como se indica en la sección “**ACCESORIOS**” de este manual.

- Cuide su cortadora: mantenga la cuchilla de la cortadora limpia y afilada para obtener mejores resultados y mayor seguridad. Las cuchillas de la cortadora son filosas y pueden cortar. Envuelva la cuchilla o use guantes, y extreme las precauciones cuando efectúe el mantenimiento.
- Mantenga todos los pernos, tuercas y tornillos ajustados para asegurarse de que el equipo se encuentra en condiciones seguras de operación.
- Nunca manipule ni quite los dispositivos de seguridad. Controle regularmente que funcionen correctamente. No haga nada que pueda interferir con el funcionamiento previsto de los dispositivos de seguridad ni para reducir la protección que brinda un dispositivo de seguridad.
- Apague siempre el motor antes de realizar ajustes a una ruedas o a la altura de corte.
- Mantenga o reemplace las etiquetas de seguridad e instrucciones, según sea necesario.
- No exponga el paquete de baterías ni el electrodoméstico al fuego o a una temperatura excesiva. La exposición al fuego o a temperaturas por encima de los 100 °C (212°F) podría causar una explosión.
- **GUARDE ESTAS INSTRUCCIONES.** Consúltelas con frecuencia y úselas para dar instrucciones a otras personas que puedan usar esta herramienta. Si le presta esta herramienta a alguien, préstele también estas instrucciones para evitar el mal uso del producto y posibles lesiones.

## INTRODUCCIÓN

Felicitaciones por elegir una cortadora de césped inalámbrica de iones de litio de 56 V de última generación. Está pensada, diseñada y fabricada para brindarle el mejor rendimiento y confiabilidad posibles.

En caso de que tuviera algún problema que no pudiera resolver fácilmente, **comuníquese con el Centro de Servicio al Cliente de EGO al 1-855-EGO-5656.**


Este manual contiene información importante para el ensamblaje, la operación y el mantenimiento seguro de su cortadora. Léalo atentamente antes de usar la cortadora. Mantenga este manual a mano para poder consultarlo en cualquier momento.

NÚMERO DE SERIE \_\_\_\_\_ FECHA DE COMPRA \_\_\_\_\_

EL NÚMERO DE SERIE Y DE MODELO PUEDEN CONSULTARSE EN LA ETIQUETA ADJUNTA A LA PUERTA DE DESCARGA POSTERIOR.

DEBE ANOTAR EL NÚMERO DE SERIE Y LA FECHA DE COMPRA, Y CONSERVARLOS EN UN LUGAR SEGURO PARA CONSULTARLOS EN EL FUTURO.

## ESPECIFICACIONES

Número de modelo	LM2160SP/LM2160SP-FC																
Sistema de autopropulsión	Sí																
Tensión	56 V 																
Modo de velocidad de las cuchillas	MODO TURBO																
	MODO NORMAL																
	MODO ECO																
Ajuste aproximado de la altura de corte	<table><tr><td>1</td><td>1 pulgada (25 mm)</td></tr><tr><td>2</td><td>1-3/8 pulgadas (35 mm)</td></tr><tr><td>3</td><td>1-11/16 pulgadas (43 mm)</td></tr><tr><td>4</td><td>2 pulgadas (53 mm)</td></tr><tr><td>5</td><td>2-1/2 pulgadas (66 mm)</td></tr><tr><td>6</td><td>3 pulgadas (79 mm)</td></tr><tr><td>7</td><td>3-1/2 pulgadas (92 mm)</td></tr><tr><td>8</td><td>4 pulgadas (105 mm)</td></tr></table>	1	1 pulgada (25 mm)	2	1-3/8 pulgadas (35 mm)	3	1-11/16 pulgadas (43 mm)	4	2 pulgadas (53 mm)	5	2-1/2 pulgadas (66 mm)	6	3 pulgadas (79 mm)	7	3-1/2 pulgadas (92 mm)	8	4 pulgadas (105 mm)
1	1 pulgada (25 mm)																
2	1-3/8 pulgadas (35 mm)																
3	1-11/16 pulgadas (43 mm)																
4	2 pulgadas (53 mm)																
5	2-1/2 pulgadas (66 mm)																
6	3 pulgadas (79 mm)																
7	3-1/2 pulgadas (92 mm)																
8	4 pulgadas (105 mm)																
Tamaño de la plataforma	21 pulgadas (531 mm)																
Volumen de la bolsa de pasto	2,0 fanegas (70 l)																
Peso de la cortadora de césped (sin paquete de batería; con inserto de trituración)	59 lbs. (28.6 kg)																
Temperatura de funcionamiento recomendada	32°F–104°F (0°C–40°C)																
Temperatura de almacenamiento recomendada	-4°F–158°F (-20°C–70°C)																

## Tiempo de funcionamiento aproximado

	LM2160SP/LM2160SP-FC con BA6720T/BA6720T-FC
Modo ECO	105 min.
Modo Normal	90 min.
Modo Turbo	80 min.

**AVISO:** El tiempo de funcionamiento real variará con el estado del pasto: especie, densidad, humedad, etc.

## Consejos para maximizar el tiempo de funcionamiento

Para obtener más de su cortadora de césped EGO, por favor, siga estas normas:

- Utilice la cuchilla inferior de duración prolongada
- Corte no más de 1,5 pulgadas (38 mm) de pasto en una pasada.
- Mueva la cortadora de césped a un ritmo moderado
- No corte pasto mojado.
- Asegúrese de que las cuchillas estén afiladas.
- Asegúrese de que la parte inferior de la plataforma esté limpia.

## LISTA DE EMPAQUETAMIENTO

NOMBRE DE LA PIEZA	CANTIDAD
Cortadora de césped	1
Bolsa de pasto	1
Armazón para la bolsa de pasto	1
Inserto de trituración (preinstalado en la cortadora de césped)	1
Conducto de descarga lateral	1
Manual del operador	1
Cuchilla inferior de duración prolongada EGO	1
Cuchilla embolsadora inferior de alta elevación EGO	1
Ensamblaje del soporte para teléfono	1

## ACCESORIOS

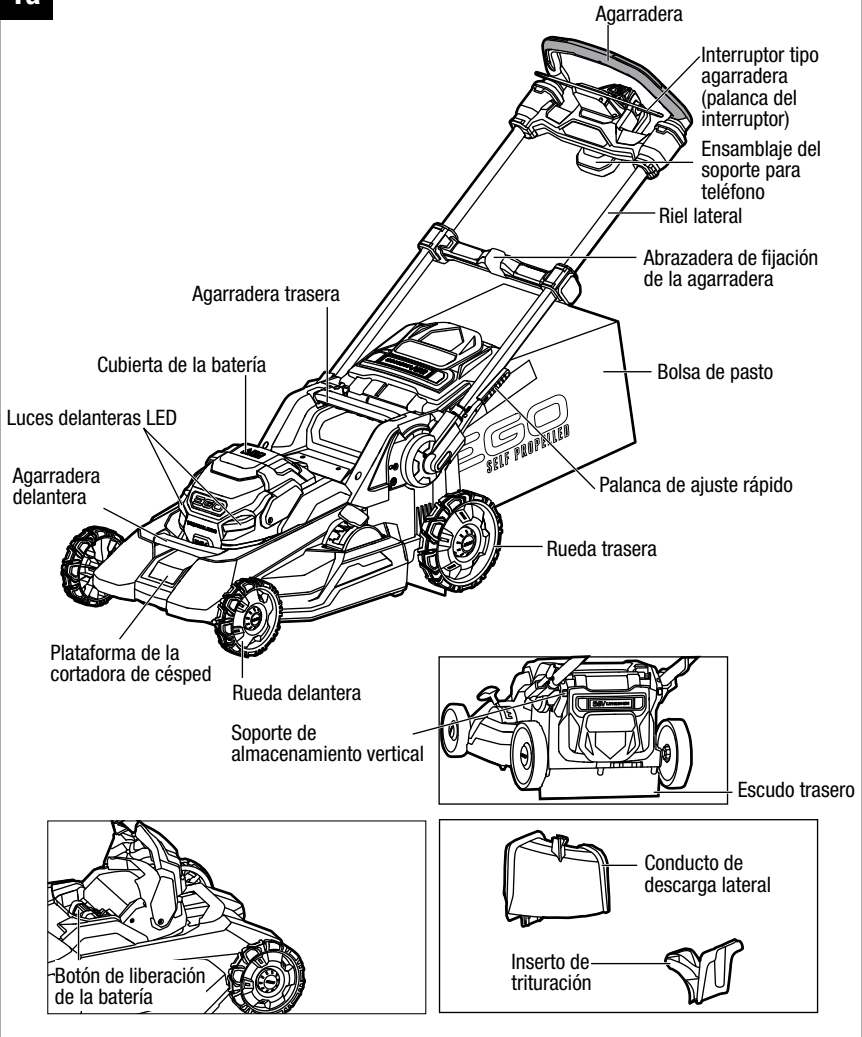
**⚠ ADVERTENCIA:** Se espera que la siguiente pieza se desgaste por el uso normal. Utilice solo las piezas de repuesto idénticas que se indican a continuación. Es posible que el uso de piezas que no cumplan con las especificaciones del equipo original cause un rendimiento incorrecto y ponga en peligro la seguridad.

NOMBRE DE LA PIEZA	NÚMERO DE MODELO
Conjunto de cuchilla de duración prolongada EGO	AB2100D
Conjunto de cuchilla trituradora EGO	AB2101D
Conjunto de cuchilla embolsadora de alta elevación EGO	AB2102D

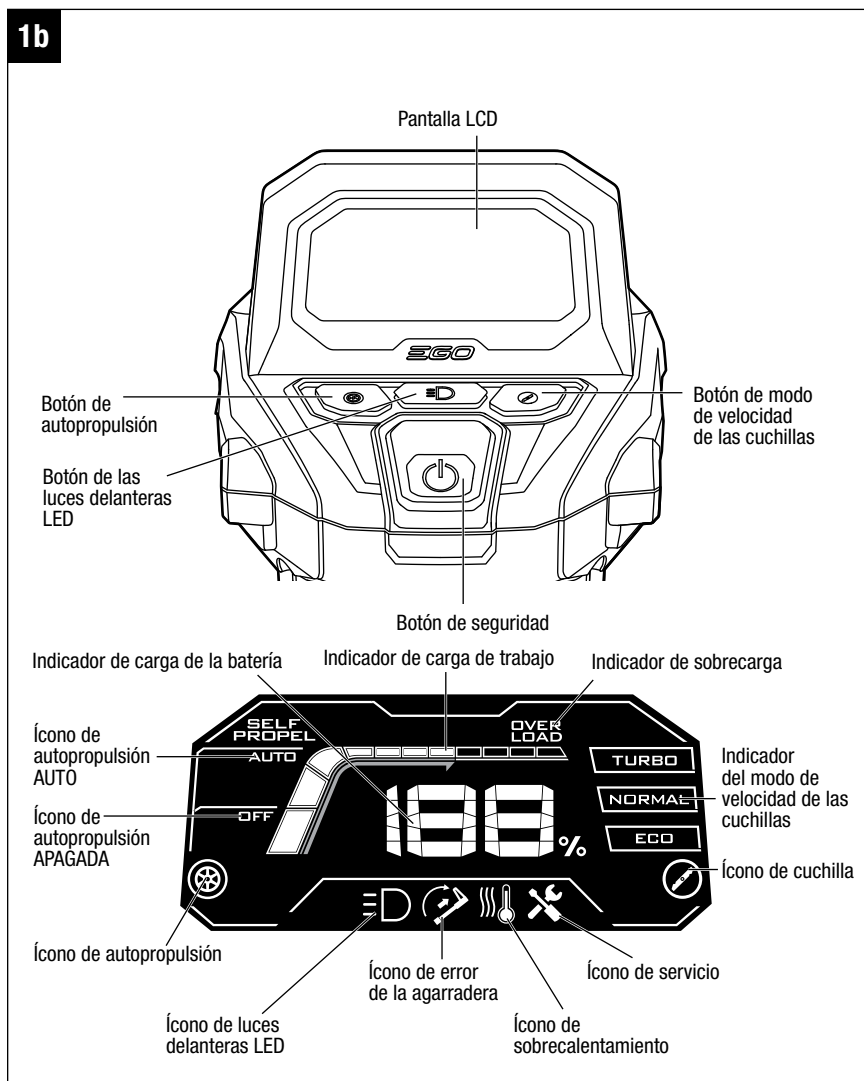


# DESCRIPCIÓN

1a



1b



**⚠ ADVERTENCIA:** El uso seguro de este producto requiere entender la información que está en la herramienta y en este manual del operador, así como tener conocimiento del proyecto que se esté intentando realizar. Antes de utilizar este producto, familiarícese con todas las características de funcionamiento y todas las normas de seguridad.

## **BOTÓN DE SEGURIDAD**

- Cuando se presione brevemente, la pantalla LCD se encenderá y mostrará el nivel de carga de la batería.
- El botón de seguridad se debe presionar antes de que se pueda arrancar el motor.

## **INTERRUPTOR TIPO AGARRADERA**

Activa y desactiva el motor/la cuchilla.

## **BOTÓN DE AUTOPROPULSIÓN**

ENCIENDE y APAGA la función de autopropulsión. El sistema de autopropulsión adaptativo de la cortadora de césped reduce o aumenta automáticamente la velocidad de la misma basándose en el ritmo que usted utilice.

## **BOTÓN DE MODO DE VELOCIDAD DE LAS CUCHILLAS**

Permite al usuario seleccionar el modo de velocidad de las cuchillas, dependiendo de las condiciones del pasto.

## **ABRAZADERA DE FIJACIÓN DE LA AGARRADERA**

Bloquea/desbloquea los rieles laterales en la posición extendida o retraída.

## **RIELES LATERALES**

Se pueden extender y bloquear para su utilización o retraer para su almacenamiento

## **ESCUDO TRASERO Y PUERTA DE DESCARGA TRASERA**

El escudo trasero está diseñado para minimizar el lanzamiento de piedras y otros objetos hacia atrás por la cuchilla de la cortadora de césped. El escudo y la puerta de descarga trasera minimizan la posibilidad de un contacto accidental de los pies con la cuchilla. NO utilice la cortadora de césped sin el escudo trasero y la puerta de descarga trasera en la posición correcta.

## **PALANCA DE AJUSTE RÁPIDO**

Bloquea/desbloquea la posición de la agarradera cuando se ajusta el ángulo de la agarradera de la cortadora de césped

1. Posición de almacenamiento bloqueada
2. Posición de instalación/desinstalación de la bolsa de pasto
3. Posición de utilización superior
4. Posición de utilización central
5. Posición de utilización inferior

## **LUCES DELANTERAS LED**

Las luces delanteras LED están ubicadas en la parte delantera de la cortadora de césped. Esta función proporciona iluminación adicional para aumentar la visibilidad.

## **PALANCA DE AJUSTE DE LA ALTURA DE CORTE**

La palanca está accionada por resorte para ajustar rápidamente la altura de corte con una mano.

## **FRENO ELÉCTRICO**

Detiene rápidamente la rotación de las cuchillas al soltar el interruptor tipo agarradera.

## **INDICADOR DE CARGA DE TRABAJO**

Indica la carga de trabajo actual de la cortadora de césped.

## **INDICADOR DE SOBRECARGA**

El ícono parpadeará cuando la cortadora de césped esté sobrecargada.

## **ÍCONO DE LUCES DELANTERAS LED**

Se ilumina cuando las luces delanteras LED se han encendido.

## **ÍCONO DE ERROR DE LA AGARRADERA**

Se ilumina cuando la agarradera no está en posición de utilización o no está completamente extendida.

 **ÍCONO DE SOBRECALENTAMIENTO**

Se ilumina cuando la cortadora de césped está sobrecalentada.

 **ÍCONO DE SERVICIO**

Se ilumina cuando se produce un error del sistema electrónico de la cortadora de césped.

## ENSAMBLAJE

**⚠ ADVERTENCIA:** Para prevenir arranques accidentales que podrían causar lesiones corporales graves, retire siempre el paquete de batería de la herramienta cuando ensamble piezas.

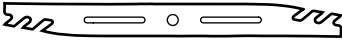
**⚠ ADVERTENCIA:** No intente modificar esta herramienta ni crear accesorios no recomendados para utilizarse con esta cortadora de césped. Cualquiera de dichas alteraciones o modificaciones constituye un uso incorrecto y podría provocar una situación peligrosa que cause posibles lesiones graves.

## DESEMPAQUETADO

- Saque primero todos los accesorios de la caja de cartón y luego agarre la agarradera delantera y la agarradera trasera al mismo tiempo para levantar cuidadosamente la cortadora de césped y sacarla de la caja de cartón.
- Asegúrese de que todos los artículos indicados en la "LISTA DE EMPAQUETAMIENTO" estén incluidos.
- Inspeccione minuciosamente el producto para asegurarse de que no se hayan producido roturas o daños durante el envío.
- No deseche el material de empaquetamiento hasta que haya inspeccionado minuciosamente y utilizado satisfactoriamente la cortadora de césped.
- Si alguna pieza está dañada o falta, sírvase devolver el producto al lugar de compra.

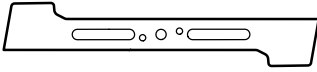
## SISTEMA DE CORTE SELECT CUT™

El sistema de corte multicuchilla **Select Cut™** le permite a usted utilizar una de las tres cuchillas inferiores intercambiables: la **cuchilla trituradora inferior**, la **cuchilla embolsadora inferior de alta elevación** y la **cuchilla inferior de duración prolongada**.



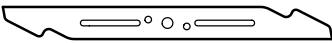
La **cuchilla trituradora inferior** está diseñada específicamente para ofrecer un rendimiento de trituración premium. Esta cuchilla de servicio pesado convierte el pasto en fragmentos finos. Esta cortadora de césped se envía con esta cuchilla ya instalada.

**NOTA:** la utilización de esta cuchilla afectará al tiempo de funcionamiento en comparación con la utilización de la cuchilla inferior de duración prolongada.



La **cuchilla embolsadora inferior de alta elevación** está diseñada específicamente para proporcionar succión adicional ideal para embolsar, con lo que deja su jardín libre de pasto cortado.

**NOTA:** la utilización de esta cuchilla afectará al tiempo de funcionamiento en comparación con la utilización de la cuchilla inferior de duración prolongada.



La **cuchilla inferior de duración prolongada** proporciona un equilibrio óptimo de calidad de corte y tiempo de funcionamiento para ofrecer un excelente rendimiento general.

La cuchilla superior **EGO EDGE** se utiliza en combinación con la cuchilla inferior seleccionada para cortar el pasto en fragmentos finos y aumenta enormemente el rendimiento de corte.

**⚠ ADVERTENCIA:** Tanto las cuchillas superiores COMO las inferiores deben estar instaladas. La cortadora de césped no funcionará con solo una cuchilla instalada.

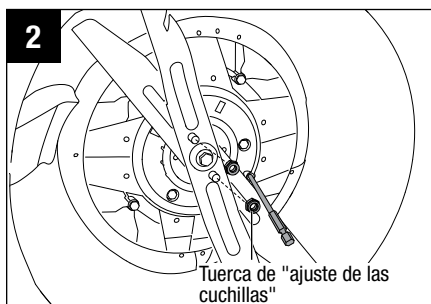
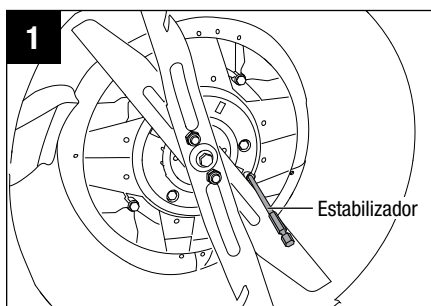
**NOTA:** Para maximizar el tiempo de funcionamiento, sírvase consultar el capítulo "**Consejos para maximizar el tiempo de funcionamiento**" de la sección "**ESPECIFICACIONES**".

## DESINSTALACIÓN DE LAS CUCHILLAS

**⚠ ADVERTENCIA:** Protéjase siempre las manos usando guantes gruesos o envolviendo los bordes de corte con trapos u otros materiales cuando realice cualquier mantenimiento en las cuchillas de la cortadora de césped. Retire siempre el paquete de batería cuando haga servicio de ajustes y reparaciones o transporte la cortadora de césped.

**AVISO:** Se requieren las siguientes herramientas (no incluidas) para reemplazar las cuchillas:

- Llave de tuerca de 9/16 de pulgada (14 mm) o ajustable (se recomienda una llave de impacto con una bocallave de 9/16 de pulgada);
- Llave de tuerca de 11/16 de pulgada (17 mm) o ajustable (se recomienda una llave de impacto con una bocallave de 11/16 de pulgada).
- Llave de torsión con bocallaves de 9/16 de pulgada (14 mm) y 11/16 de pulgada (17 mm);
- Destornillador manual o varilla metálica con un diámetro de 5/16 de pulgada (8 mm).
- Destornillador manual o varilla metálica con un diámetro de 1/4 de pulgada (6,35 mm).



1. Pare el motor y retire el paquete de batería de la cortadora de césped.
2. Voltee la cortadora de césped sobre su lado.
3. Use guantes protectores. Inserte un destornillador manual o una varilla metálica, con un  $\varnothing$  de 5/16 de pulgada (8 mm) o ligeramente menor, en el agujero del estabilizador. Esto impedirá que las cuchillas roten mientras afloja el perno/las tuercas (Fig. 1).
4. Utilice una llave de tuerca de 11/16 de pulgada (17 mm) para aflojar y retirar las dos tuercas de "ajuste de las cuchillas" de 11/16 de pulgada (Fig. 2). **GUARDE LAS DOS TUERCAS PARA REENSAMBLAR LAS CUCHILLAS MÁS TARDE.**

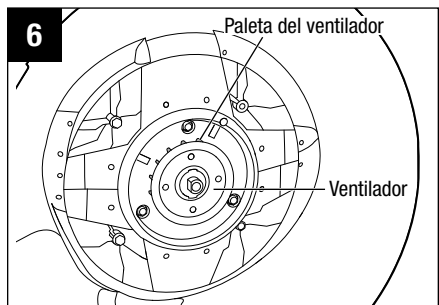
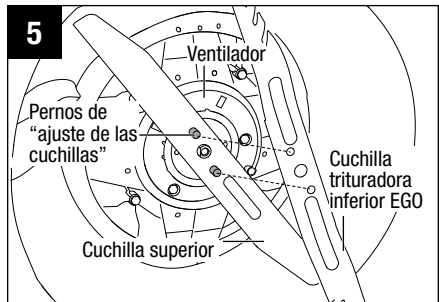
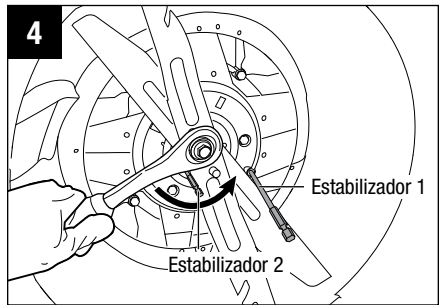
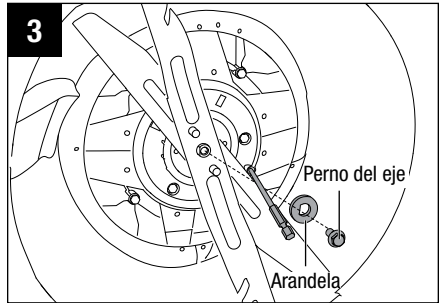


- Utilice una llave de tuerca de 9/16 de pulgada (14 mm) para aflojar y retirar el perno del eje de 9/16 de pulgada y la arandela (Fig. 3).

**AVISO:** Si el perno del eje rota con el eje del motor al aflojarlo, coloque otra varilla metálica (p. ej., una broca atornilladora de 3,5 pulgadas longitud) con un  $\varnothing$  de menos de 1/4 de pulgada (6,35 mm) en el agujero más pequeño ubicado en el ventilador para que actúe como otro estabilizador (Fig. 4).

- Retire la cuchilla trituradora inferior EGO y la cuchilla superior del eje del motor en secuencia (Fig. 5). Retire los dos pernos de "ajuste de las cuchillas" de la cuchilla superior. **GUARDE LOS DOS PERNOS PARA REENSAMBLAR LAS CUCHILLAS MÁS TARDE.**

- Deje el ventilador en el eje del motor. Asegúrese de que la paleta del ventilador esté orientada hacia la plataforma (Fig. 6).



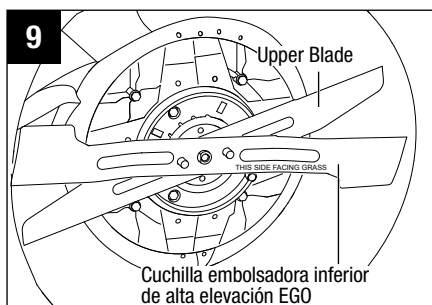
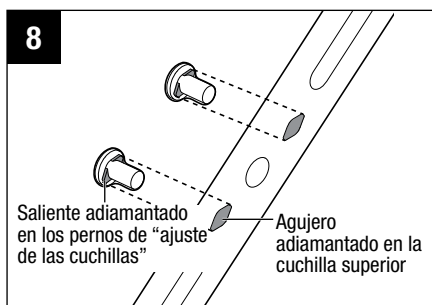
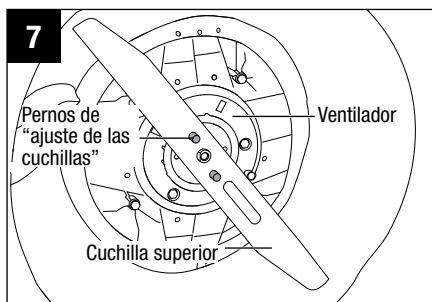
## INSTALACIÓN DE LAS CUCHILLAS

**AVISO:** Para reinstalar o reemplazar la(s) cuchilla(s), asegúrese de reemplazar las piezas en el orden exacto en que se hayan retirado, **asegurándose especialmente de que el enunciado "THIS SIDE FACING DECK" (ESTE LADO ORIENTADO HACIA LA PLATAFORMA) ubicado en la cuchilla superior esté orientado hacia la plataforma de la cortadora de césped y el enunciado "THIS SIDE FACING GRASS" (ESTE LADO ORIENTADO HACIA EL PASTO) ubicado en la cuchilla inferior esté orientado hacia fuera.**

1. Use guantes protectores.
2. Inserte los dos pernos de "ajuste de las cuchillas" en la cuchilla superior desde el lado que dice **"THIS SIDE FACING DECK"** (ESTE LADO ORIENTADO HACIA LA PLATAFORMA) y luego posicione la cuchilla superior en el eje del motor (Fig. 7).

**AVISO:** El saliente adiamantado ubicado en los pernos de "ajuste de las cuchillas" deberá estar alineado con el agujero adiamantado ubicado en la cuchilla superior (Fig. 8).

3. Dependiendo de lo que se desee hacer, monte la cuchilla inferior seleccionada en el eje del motor (consulte el capítulo **"SISTEMA DE CORTE SELECT CUT™"** de este manual). En la Fig. 9 se ilustra el montaje de la cuchilla embolsadora inferior de alta elevación EGO.



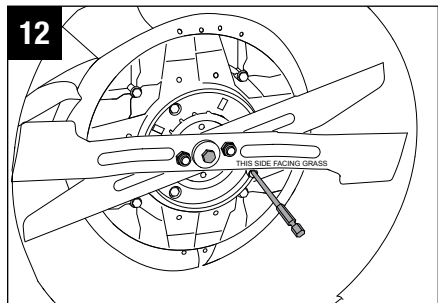
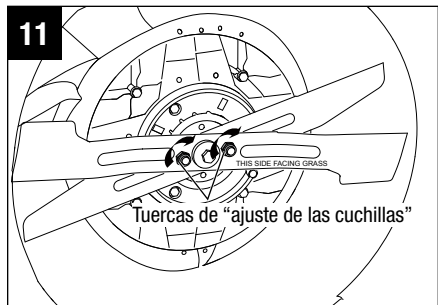
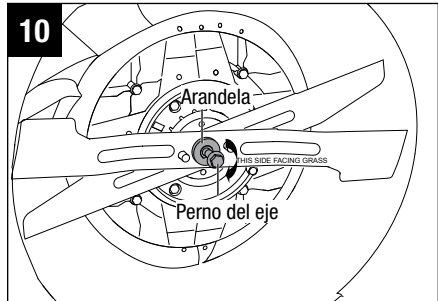
4. Instale la arandela y el perno del eje en el eje del motor y gire a mano el perno del eje **EN EL SENTIDO DE LAS AGUJAS DEL RELOJ** para preapretarlo.

5. Instale las tuercas de "ajuste de las cuchillas" en los pernos de "ajuste de las cuchillas" y gírelas a mano **EN EL SENTIDO DE LAS AGUJAS DEL RELOJ** para preapretarlas (Fig. 11).

6. Inserte un destornillador manual o una varilla metálica, con un  $\varnothing$  de 5/16 de pulgada (8 mm) o ligeramente menor, en el agujero del estabilizador. Esto impedirá que las cuchillas roten mientras aprieta el perno/las tuercas (Fig. 12).

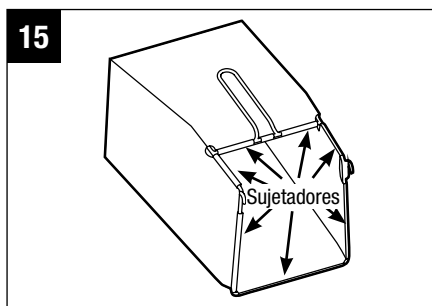
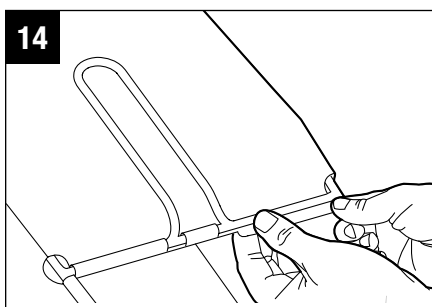
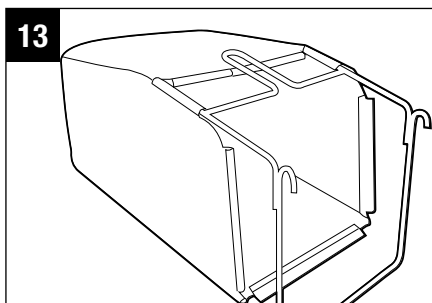
7. Utilice una llave de torsión de 9/16 de pulgada (14 mm) para apretar el perno del eje **EN EL SENTIDO DE LAS AGUJAS DEL RELOJ**. La fuerza de torsión recomendada para el perno de la cuchilla es de 36-43 pies-lb (49-59 Nm).

8. Utilice una llave de torsión de 11/16 de pulgada (17 mm) para apretar las tuercas de "ajuste de las cuchillas" **EN EL SENTIDO DE LAS AGUJAS DEL RELOJ**. La fuerza de torsión recomendada para el perno de la cuchilla es de 22 pies-lb (30 Nm).



## ENSAMBLAJE DE LA BOLSA DE PASTO

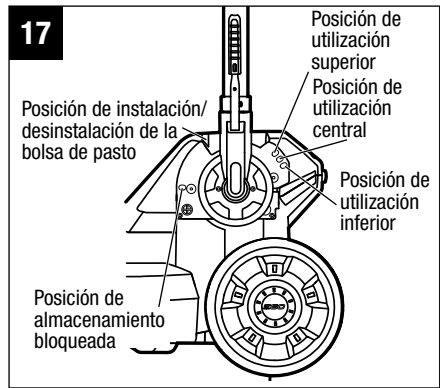
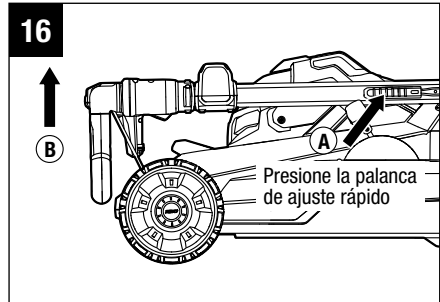
1. Compruebe la bolsa de pasto antes de realizar el ensamblaje, para asegurarse de que no haya daños.
2. Deslice la bolsa de pasto sobre el armazón, de la manera que se muestra en la Fig. 13.
3. Ensamble los clips superiores en el armazón, de la manera que se muestra en la Fig. 14, y luego ensamble los dos clips laterales. Ensamble el clip inferior en último lugar.
4. La bolsa de pasto completamente ensamblada se muestra en la Fig. 15.



## AJUSTE DE LA AGARRADERA PLEGABLE

**⚠ ADVERTENCIA:** No intente arrancar la cortadora de césped hasta que la agarradera haya sido bloqueada en una de las tres posiciones de utilización preajustadas. (POSICIÓN DE UTILIZACIÓN SUPERIOR, POSICIÓN DE UTILIZACIÓN CENTRAL y POSICIÓN DE UTILIZACIÓN INFERIOR).


1. POSICIÓN DE ALMACENAMIENTO BLOQUEADA: Esta cortadora de césped se envía con la agarradera en la posición bloqueada compacta (Fig. 16).
2. POSICIÓN DE INSTALACIÓN/ DESINSTALACIÓN DE LA BOLSA DE PASTO: Presione y mantenga presionada con una mano la palanca de ajuste rápido para liberar la agarradera de la posición de almacenamiento bloqueada. Comience a levantar la agarradera de su posición plegada con la otra mano y luego suelte la palanca (Fig. 16). Pivote suavemente la agarradera hacia arriba hasta que oiga y sienta que el pasador de fijación se acopla en la primera posición (Fig. 17). Esta posición facilita el acceso para instalar y desinstalar la bolsa de pasto.

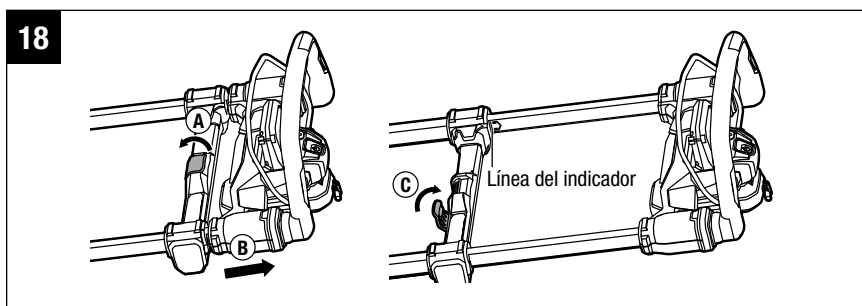


3. **POSICIÓN DE UTILIZACIÓN SUPERIOR:** Levante la agarradera con una mano. Pivote suavemente la agarradera hacia atrás hasta que oiga y sienta que el pasador de fijación se acopla en la posición de utilización superior. Extienda completamente los rieles laterales y cierre firmemente la abrazadera de fijación de la agarradera (Fig. 18). Puede que los usuarios más altos prefieran esta posición.
4. **POSICIÓN DE UTILIZACIÓN CENTRAL:** Presione y mantenga presionada con una mano la palanca de ajuste rápido para liberar la agarradera de la posición de utilización superior. Comience a bajar la agarradera con la otra mano y luego suelte la palanca. Pivote suavemente la agarradera hacia abajo hasta que oiga y sienta que el pasador de fijación se acopla en la posición de utilización central. Extienda completamente los rieles laterales y cierre firmemente las abrazaderas de fijación de la agarradera (Fig. 18).
5. **POSICIÓN DE UTILIZACIÓN INFERIOR:** Presione y mantenga presionada con una mano la palanca de ajuste rápido para soltar la agarradera de la posición de utilización central. Comience a bajar la agarradera con la otra mano y luego suelte la palanca. Pivote suavemente la agarradera hacia abajo hasta que oiga y sienta que el pasador de fijación se acopla en la posición de utilización inferior. Extienda completamente los rieles laterales y cierre firmemente la abrazadera de fijación de la agarradera (Fig. 18).

**NOTA:** El motor no se puede arrancar a menos que:

- a) Los rieles laterales estén completamente extendidos.
- b) La abrazadera verde de fijación de la agarradera esté firmemente cerrada.
- c) La agarradera esté bloqueada en una de las tres posiciones de utilización.

El ícono  de error de la agarradera se iluminará en la pantalla LCD como recordatorio para ajustar adecuadamente la agarradera en una de las posiciones de utilización.

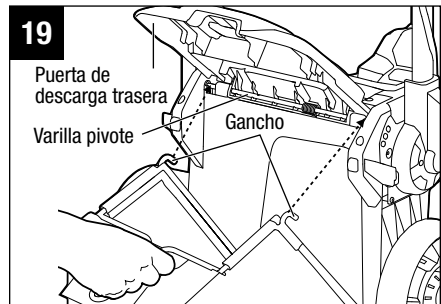


## INSTALACIÓN/DESINSTALACIÓN DE LA BOLSA DE PASTO

**⚠ ADVERTENCIA:** No haga en ningún momento ajustes a la cortadora de césped sin primero detener el motor, retirar el paquete de batería y esperar hasta que la cuchilla haya dejado de rotar.

**AVISO:** Retire el inserto de trituración o el conducto de descarga lateral antes de instalar la bolsa de pasto en la cortadora de césped.

1. Retire la batería.
2. Ajuste la agarradera en la posición de instalación/desinstalación de la bolsa de pasto (sírvese consultar **AJUSTE DE LA AGARRADERA PLEGABLE**).



3. Levante la puerta de descarga trasera.
4. Enganche el ensamblaje de la bolsa de pasto en la varilla pivote (Fig. 19). Libere la puerta de descarga para que descance sobre la bolsa de pasto.
5. Para retirar la bolsa de pasto, levante la puerta de descarga trasera de la cortadora de césped. Levante la bolsa de pasto y sepárela de la varilla pivote.
6. Suelte la puerta de descarga.

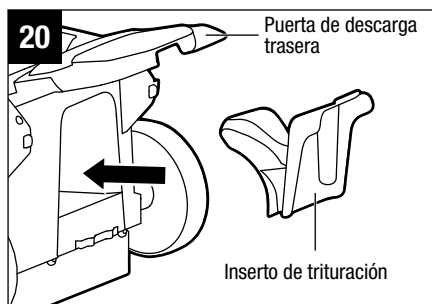
**⚠ ADVERTENCIA:** Cuando use la bolsa de pasto, no utilice nunca la cortadora de césped a menos que los ganchos ubicados en la bolsa de pasto estén firmemente asentados sobre la varilla pivote y la puerta de descarga trasera descance firmemente contra la parte superior de la bolsa de pasto.

**⚠ ADVERTENCIA:** Con el uso normal, el material de la bolsa de pasto material está sujeto a desgaste. Para reducir el riesgo de lesiones, inspeccione frecuentemente el ensamblaje de la bolsa y reemplace la bolsa si hay cualquier señal de desgaste o deterioro. Utilice solo bolsas de pasto fabricadas para esta cortadora de césped.

## INSTALACIÓN/DESINSTALACIÓN DEL INSERTO DE TRITURACIÓN

**⚠ ADVERTENCIA:** No haga en ningún momento ajustes a la cortadora de césped sin primero detener el motor, retirar el paquete de batería y esperar hasta que la cuchilla haya dejado de rotar.

1. Retire la batería.
2. Levante la puerta de descarga trasera.
3. Agarre el mango del inserto de trituración e insértelo completamente en la cortadora de césped, de manera que quede asentado firmemente (Fig. 20).
4. Para retirar el inserto de trituración, levante la puerta de descarga trasera, agarre el mango del inserto de trituración y jálelo hacia fuera.
5. Libere la puerta de descarga y asegúrese de que descansa firmemente contra el inserto de trituración.



**AVISO:** El inserto de trituración se debe retirar para instalar y utilizar la bolsa de pasto y se debe reinstalar cuando se retire dicha bolsa.

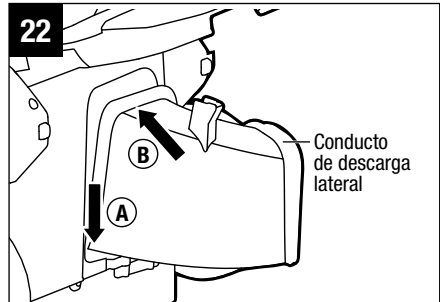
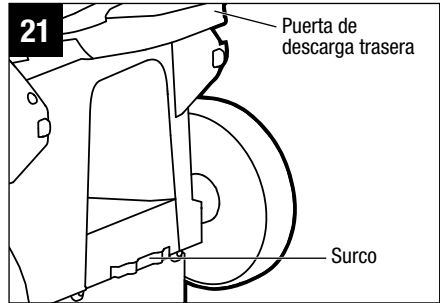


## INSTALACIÓN/DESINSTALACIÓN DEL CONDUCTO DE DESCARGA LATERAL (Fig. 21 y 22)

**⚠ ADVERTENCIA:** No haga en ningún momento ajustes a la cortadora de césped sin primero detener el motor, retirar el paquete de batería y esperar hasta que la cuchilla haya dejado de rotar.

1. Retire la batería.
2. Levante la puerta de descarga trasera.
3. Alinee el borde inferior del conducto de descarga lateral con el surco del umbral de la puerta e insértelo en la ranura.
4. Empuje la parte superior del conducto de descarga lateral e inserte dicho conducto en la cortadora de césped. Compruébelo para asegurarse de que esté firmemente asentado en la plataforma.
5. Para retirar el conducto de descarga lateral, levante la puerta de descarga trasera, agarre el conducto de descarga lateral y jálalo hacia fuera.
6. Libere la puerta de descarga y asegúrese de que descansa firmemente contra el conducto de descarga lateral.

**AVISO:** El conducto de descarga lateral se debe retirar para instalar y utilizar use la bolsa de pasto o el inserto de trituración.



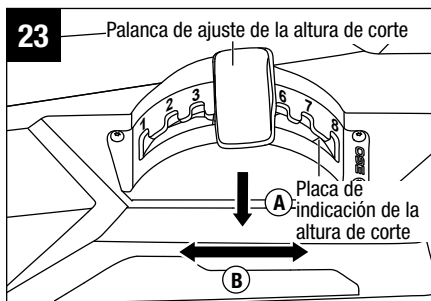
## AJUSTE DE LA ALTURA DE CORTE (Fig. 23)

**⚠ ADVERTENCIA:** No haga en ningún momento ajustes a la cortadora de césped sin primero detener el motor, retirar el paquete de batería y esperar hasta que la cuchilla haya dejado de rotar.

**⚠ ADVERTENCIA:** Mantenga los pies alejados de la plataforma cuando ajuste su altura.

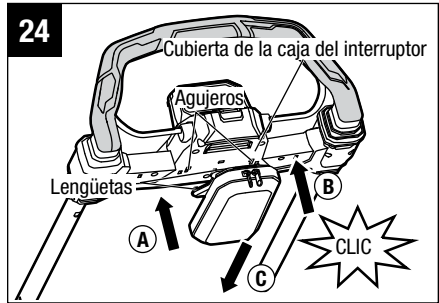
La cortadora de césped se puede ajustar a 8 alturas de corte entre 1 pulgada (25 mm) y 4 pulgadas (105 mm). Seleccione la altura de corte apropiada de acuerdo con el tipo y el estado del pasto que se vaya a cortar.

1. Utilice una mano para agarrar los rieles laterales de aluminio con el fin de lograr estabilidad y utilice la otra mano para mover la palanca de ajuste de la altura de corte accionada por resorte hacia fuera de las ranuras ubicadas en la placa de indicación de la altura de corte.
2. Mueva la palanca de ajuste de la altura de corte hacia la parte trasera de la cortadora de césped para obtener una altura de corte de pasto mayor; muévela hacia la parte delantera de la cortadora de césped para obtener una altura de corte de pasto menor.
3. Una vez que se haya llegado a la posición de altura de corte deseada, acople la palanca de ajuste de la altura de corte accionada por resorte de vuelta en la ranura.



## INSTALACIÓN DEL ENSAMBLAJE DEL SOPORTE PARA TELÉFONO (Fig. 24)

1. Inserte las dos lengüetas inferiores ubicadas en el ensamblaje del soporte para teléfono en los agujeros inferiores ubicados en la cubierta de la caja del interruptor (1) y luego inserte las dos lengüetas superiores en los agujeros superiores (2).



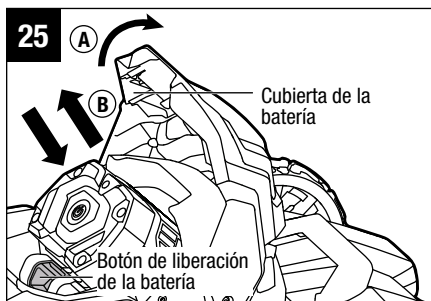
2. Empuje el ensamblaje del soporte para teléfono hacia abajo contra la cubierta de la caja del interruptor hasta que se acople con un "clic" audible (3).

## UTILIZACIÓN

### PARA INSTALAR/DESINSTALAR EL PAQUETE DE BATERÍA (Fig. 25)

Cargue el paquete de batería antes del primer uso.

**⚠ ADVERTENCIA:** Si alguna de las piezas está rota o falta, no intente instalar el paquete de batería en la cortadora de césped ni utilizar la cortadora de césped hasta que las piezas rotas o que falten hayan sido remplazadas. Si no se hace así, el resultado podría ser lesiones graves.



1. La cubierta de la batería está embisagrada. Suba la cubierta de la batería levantando la parte trasera de la cubierta.
2. Alinee los surcos ubicados en el paquete de batería con las costillas en relieve ubicadas en el compartimiento de la batería y luego inserte el paquete de batería en el compartimiento.
3. Empuje el paquete de batería hasta que oiga un “clic”. El botón de liberación de la batería subirá por resorte cuando el paquete de batería esté firmemente sujeto.

**AVISO:** Asegúrese de que el pestillo ubicado en la cortadora de césped se acople a presión en la posición correcta y que el paquete de batería esté firmemente sujeto en la cortadora de césped antes de comenzar la utilización.

4. Para desinstalar el paquete de batería, presione el botón de liberación de la batería para liberar el paquete de batería y luego levántelo para sacarlo del compartimiento.
5. Cierre la cubierta de la batería.

## SELECCIÓN DEL MODO DE VELOCIDAD DE LAS CUCHILLAS

### Seleccione el modo de velocidad de las cuchillas (Fig. 26)

La cortadora de césped cuenta con tres modos de velocidad de las cuchillas:

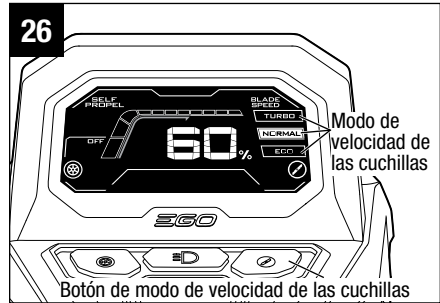
- El modo **TURBO** es el modo de alta velocidad de las cuchillas para producir un rendimiento de alta elevación con el fin de mejorar la fuerza de succión o el rendimiento de corte.
- El modo **NORMAL** es el mejor equilibrio entre rendimiento y tiempo de funcionamiento.
- El modo **ECO** proporciona el nivel de ruido más bajo y el tiempo de funcionamiento más prolongado del paquete de batería.

**NOTA:** Una velocidad más alta de las cuchillas afectará significativamente al tiempo de funcionamiento.

**NOTA:** La velocidad de las cuchillas no se puede ajustar durante la utilización. El cambio tendrá efecto solo al detener y arrancar de nuevo el motor.

Seleccione entre los modos **TURBO**, **NORMAL** y **ECO** presionando secuencialmente el botón de modo de velocidad de las cuchillas ubicado debajo de la pantalla LCD.

**NOTA:** El modo preestablecido de velocidad de las cuchillas es el **NORMAL**.



## ARRANQUE/PARADA DE LA CORTADORA DE CÉSPED

**⚠ ADVERTENCIA:** La utilización de cualquier cortadora de césped puede tener como resultado que se lancen objetos extraños hacia los ojos del operador o de otras personas, lo cual puede dañar gravemente los ojos. Use siempre anteojos de seguridad mientras utiliza la cortadora de césped o mientras realiza cualquier ajuste o reparación en la misma.

**⚠ ADVERTENCIA:** Asegúrese de que otras personas y los animales domésticos permanezcan al menos a 100 pies (30 m) de distancia de la cortadora de césped cuando se esté utilizando.

**AVISO:** La cuchilla continuará rotando durante unos segundos después de apagar la cortadora de césped. Deje que el motor/la cuchilla deje de rotar antes de arrancar de nuevo la cortadora de césped. No apague y encienda rápidamente la cortadora de césped.

**⚠ PRECAUCIÓN:** No intente anular el funcionamiento del botón de seguridad y el interruptor tipo agarradera.

**NOTA:** El motor no se puede arrancar a menos que:

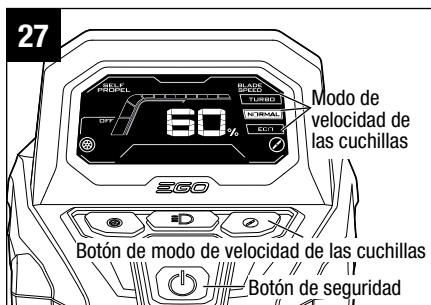
- Los rieles laterales están completamente extendidos
- La abrazadera verde de fijación de la agarradera esté firmemente cerrada
- La agarradera esté bloqueada en una de las tres posiciones de utilización.

## Para arrancar la cortadora de césped

1. Instale el paquete de batería en la cortadora de césped y cierre la cubierta de la batería.

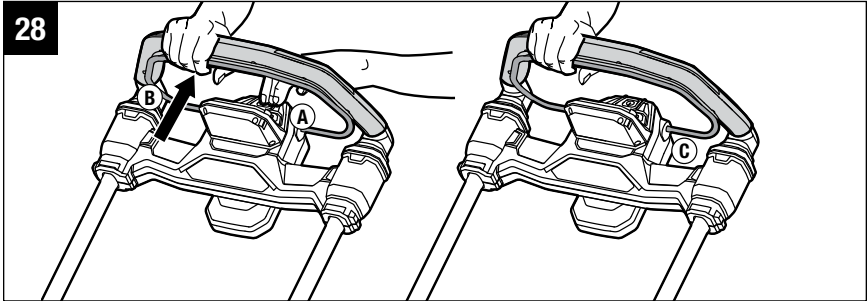
**AVISO:** Asegúrese de que el pestillo ubicado en la cortadora de césped se acople a presión en la posición correcta y que el paquete de batería esté firmemente sujeto en la cortadora de césped antes de la utilización.

2. Presione el botón de seguridad durante 1 segundo para iluminar la pantalla LCD (Fig. 27).
3. Presione el botón de modo de velocidad de las cuchillas para seleccionar la velocidad deseada (Fig. 27), consulte la sección "**Seleccione el modo de velocidad de las cuchillas**" de este manual.



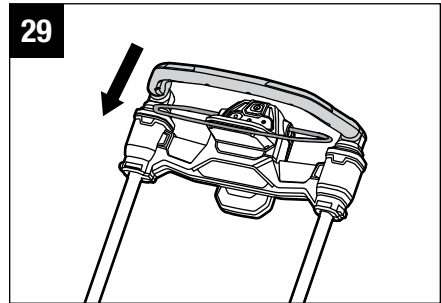
**NOTA:** El modo preestablecido de velocidad de las cuchillas es el NORMAL.

4. Presione de nuevo el botón de seguridad.
5. Con el botón de seguridad presionado, jale el interruptor tipo agarradera contra la agarradera y la cortadora de césped arrancará. Suelte el botón de seguridad (Fig. 28).



## Para detener la cortadora de césped

1. Suelte completamente el interruptor tipo agarradera (Fig. 29).
2. El freno eléctrico del mecanismo de frenado automático detendrá la rotación de las cuchillas en 3 segundos o menos después de soltar el interruptor tipo agarradera.



## UTILIZACIÓN DEL SISTEMA DE AUTOPROPULSIÓN

El sistema de autopropulsión adaptativo de esta cortadora de césped reduce o aumenta automáticamente la velocidad de la cortadora de césped basándose en el ritmo que usted utilice.

**NOTA:** El sistema de autopropulsión no se puede arrancar a menos que:

- Los rieles laterales estén completamente extendidos.
- La abrazadera verde de fijación de la agarradera esté firmemente cerrada.
- La agarradera esté bloqueada en una de las tres posiciones de utilización.

**NOTA:** El sistema de autopropulsión adaptativo funcionará solo en el sentido de AVANCE. No funcionará si usted jala la cortadora de césped hacia usted.

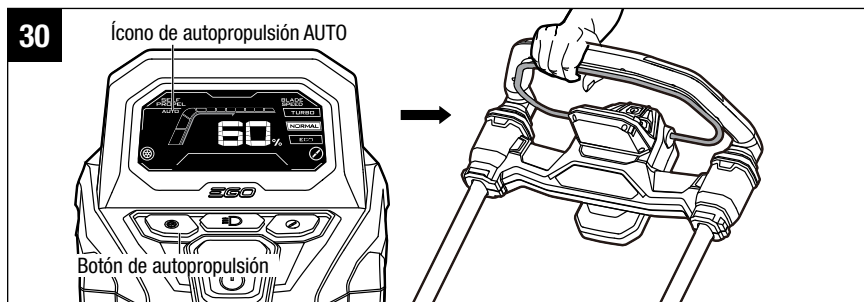
Este sistema es independiente de la rotación de las cuchillas. Por ejemplo, cuando haya terminado de cortar el césped, usted puede utilizar el sistema de autopropulsión para propulsar la cortadora de césped de vuelta a su ubicación de almacenamiento sin rotación de las cuchillas. O puede escoger utilizar la cortadora de césped como una cortadora de césped empujable para maximizar el tiempo de funcionamiento de la batería.

## Para utilizar el sistema de autopropulsión sin que las cuchillas roten:

1. Presione el botón de autopropulsión, el ícono de AUTO PARPADEARÁ en la pantalla LCD y la función de autopropulsión estará lista para ser activada.

**NOTA:** El modo de autopropulsión preestablecido es el de APAGADO.

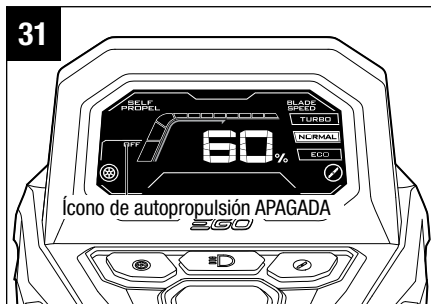
2. Jale el interruptor tipo agarradera contra la agarradera y el ícono de AUTO aparecerá sin parpadear (Fig. 30)



3. Empuje hacia delante la cortadora de césped para iniciar la función de autopropulsión.

- Para APAGAR la autopropulsión, presione de nuevo el botón de autopropulsión y el ícono de APAGADO aparecerá en la pantalla LCD (Fig. 31).

**NOTA:** El motor de las cuchillas no se puede arrancar cuando la cortadora de césped ya esté siendo autopropulsada. Suelte el interruptor tipo agarradera y re arranque la cortadora de césped.



## Para utilizar el sistema de autopropulsión con las cuchillas rotando

1. Presione el botón de seguridad para iluminar la pantalla LCD.
2. Presione el botón de autopropulsión, el ícono de AUTO PARPADEARÁ en la pantalla LCD y la función de autopropulsión estará lista para ser activada.



3. Presione el botón de modo de velocidad de las cuchillas para seleccionar la velocidad deseada, consulte la sección "Seleccione el modo de velocidad de las cuchillas" de este manual.
4. Presione el botón de seguridad.
5. Con el botón de seguridad presionado, jale hacia arriba el interruptor tipo agarradera para que llegue a la agarradera y la cortadora de césped arrancará. Suelte el botón de seguridad.
6. Empuje hacia delante la cortadora de césped por la agarradera para activar la función de autopropulsión.

**AVISO:** La pantalla LCD se apagará automáticamente después de 5 minutos de inactividad.

**AVISO:** Cuando apague la autopropulsión, por ejemplo, al final de una hilera, es posible que se bloquee temporalmente si usted jala hacia atrás la cortadora de césped. Simplemente empuje ligeramente hacia delante la cortadora de césped o suba las ruedas traseras y luego mueva la cortadora de césped según se requiera.

**AVISO:** Es posible que, a veces, sea más fácil cortar el césped alrededor de un objeto o cortarlo hacia detrás y hacia delante con la autopropulsión apagada.

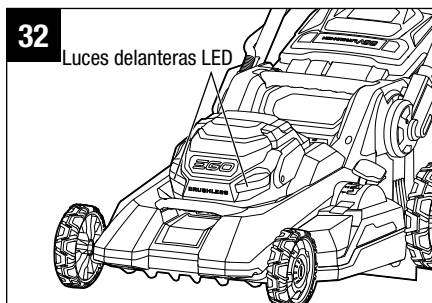
**⚠ ADVERTENCIA:** Para reducir el riesgo de lesiones, no intente nunca anular el funcionamiento del interruptor tipo agarradera o del botón de autopropulsión. Utilice la autopropulsión solo para su finalidad prevista.

## LUCES DELANTERAS LED

Las luces delanteras LED están ubicadas en la parte delantera del compartimiento de la batería (Fig. 32).

Para encender las luces, presione el botón del interruptor (Fig. 1b). Las luces delanteras proporcionan una luz intensa delante de la cortadora de césped. El ícono LED  $\equiv D$  se mostrará en la pantalla LCD.

Para apagar las luces delanteras, presione de nuevo el botón del interruptor. El ícono LED  $\equiv D$  desaparecerá de la pantalla LCD.



## INDICADORES DE ESTADO UBICADOS EN LA PANTALLA LCD DE LA CORTADORA DE CÉSPED (Fig. 1b)

La cortadora de césped está equipada con una pantalla LCD para indicar el nivel de carga del paquete de batería y el estado de trabajo de la cortadora de césped.

Núm.	Pantalla LCD	Descripción	Significado	Acción
1		El ícono de autopropulsión está ENCENDIDO.	La función de autopropulsión está funcionando correctamente.	No se requiere ninguna.
2		El ícono de cuchilla está ENCENDIDO.	La cortadora de césped está funcionando correctamente.	No se requiere ninguna.
3		El ícono de autopropulsión parpadea.	La función de autopropulsión está ENCENDIDA.	No se requiere ninguna.
4		El ícono de autopropulsión está ENCENDIDO.	La función de autopropulsión se ha iniciado.	No se requiere ninguna.
5		El ícono de autopropulsión está APAGADO.	La función de autopropulsión está APAGADA.	No se requiere ninguna.
6		El ícono LED está ENCENDIDO.	Las luces delanteras LED están ENCENDIDAS.	No se requiere ninguna.
7		La carga de la batería es cero.	El paquete de batería no tiene carga.	Pare la cortadora de césped y cargue el paquete de batería.

Núm.	Pantalla LCD	Descripción	Significado	Acción
8		El ícono de sobrecalentamiento de la cortadora de césped, el ícono de autopropulsión y el ícono de cuchilla parpadean simultáneamente.	La función de autopropulsión y la cortadora de césped están sobrecalentadas.	Suelte el interruptor tipo agarradera, espere hasta que el paquete de batería se enfríe hasta al menos 152 °F (67 °C) y luego rearranque la cortadora de césped.
		El ícono de sobrecalentamiento de la cortadora de césped y el ícono de autopropulsión parpadean simultáneamente.	La función de autopropulsión está sobrecalentada.	
		El ícono de sobrecalentamiento de la cortadora de césped y el ícono de cuchilla parpadean simultáneamente.	La cortadora de césped está sobrecalentada.	
		Solo parpadea el ícono de sobrecalentamiento.	La batería está sobrecalentada.	

Núm.	Pantalla LCD	Descripción	Significado	Acción
9		El ícono de sobrecarga, el ícono de autopropulsión y el ícono de cuchilla parpadean simultáneamente.	La cortadora de césped y la función de autopropulsión están sobrecargadas.	<ul style="list-style-type: none"> <li>- Retire el paquete de batería y luego compruebe si se ha acumulado pasto debajo de la plataforma y, si es así, elimínelo.</li> </ul>
		El ícono de sobrecarga y el ícono de autopropulsión parpadean simultáneamente.	La función de autopropulsión está sobrecargada.	<ul style="list-style-type: none"> <li>- Reduzca el ritmo cuando corte.</li> <li>- Suba la altura de corte.</li> </ul>
		El ícono de sobrecarga y el ícono de cuchilla parpadean simultáneamente.	La cortadora de césped está sobrecargada.	<ul style="list-style-type: none"> <li>- Si las soluciones anteriores no funcionan, sírvase contactar a un centro de servicio al cliente de EGO.</li> </ul>

Núm.	Pantalla LCD	Descripción	Significado	Acción
10		<p>El ícono de error de la agarradera, el ícono de autopropulsión y el ícono de cuchilla parpadean simultáneamente.</p>	<p>Los rieles laterales no están completamente extendidos.</p>	<p>Pare la cortadora de césped y asegúrese de que los rieles laterales estén completamente extendidos.</p>
			<p>La agarradera no está en una posición de utilización.</p>	<p>Pare la cortadora de césped y asegúrese de que la agarradera esté en una posición de utilización.</p>
11		<p>El ícono de servicio, el ícono de autopropulsión y el ícono de cuchilla parpadean simultáneamente.</p>	<p>Error del sistema electrónico de la cortadora de césped.</p>	<p>Contacte a un centro de servicio al cliente de EGO.</p>

## **PROTECCIÓN CONTRA SOBRECARGAS DE LA CORTADORA DE CÉSPED**

Para prevenir las condiciones de sobrecarga, no intente retirar demasiado pasto a la vez. Reduzca el ritmo de corte o suba la altura de corte.

Esta cortadora de césped tiene incorporada una protección de circuito contra sobrecargas. Cuando la cortadora de césped esté sobrecargada, el motor se detendrá y el ícono de sobrecarga ubicado en la pantalla LCD parpadeará. Consulte la sección **"INDICADORES DE ESTADO UBICADOS EN LA PANTALLA LCD DE LA CORTADORA DE CÉSPED"** de este manual. Retire el paquete de batería de la cortadora de césped. Haga una comprobación para determinar si se ha acumulado pasto debajo de la plataforma y elimínelo si es necesario, y luego instale la batería y rearranque la cortadora de césped.

## **PROTECCIÓN CONTRA ALTAS TEMPERATURAS DE LA BATERÍA**

El paquete de batería generará calor durante la utilización. El calor se disipa más lentamente en clima caluroso. Si la temperatura de la batería excede 158 °F (70 °C) durante la utilización, el circuito de protección apagará inmediatamente la cortadora de césped para proteger el paquete de batería contra los daños por calor. El ícono de sobrecalentamiento ubicado en la pantalla LCD parpadeará. Consulte la sección **"INDICADORES DE ESTADO UBICADOS EN LA PANTALLA LCD DE LA CORTADORA DE CÉSPED"** de este manual.

Suelte el interruptor tipo agarradera, espere hasta que el paquete de batería se enfríe hasta aproximadamente 152 °F (67 °C) y luego rearranque la cortadora de césped.

## CONSEJOS PARA CORTAR EL CÉSPED

**AVISO:** Una cuchilla afilada mejorará enormemente el rendimiento de la cortadora de césped, especialmente al cortar pasto alto. Asegúrese de comprobar si la cuchilla está afilada antes de cortar el césped.

- Verifique que el pasto esté libre de piedras, palos, alambres y otros objetos que podrían dañar la cortadora de césped o el motor. Dichos objetos podrían ser lanzados accidentalmente al aire por la cortadora de césped en cualquier dirección y podrían causar lesiones corporales graves al operador y a otras personas.

**⚠ ADVERTENCIA:** Si usted golpea un objeto extraño, pare el motor y retire la batería. Inspeccione minuciosamente la cortadora de césped para determinar si tiene algún daño y repare dicho daño antes de rearmar y utilizar la cortadora de césped. Una vibración excesiva de la cortadora de césped durante la utilización es una indicación de daños. La unidad deberá ser inspeccionada y reparada de inmediato.

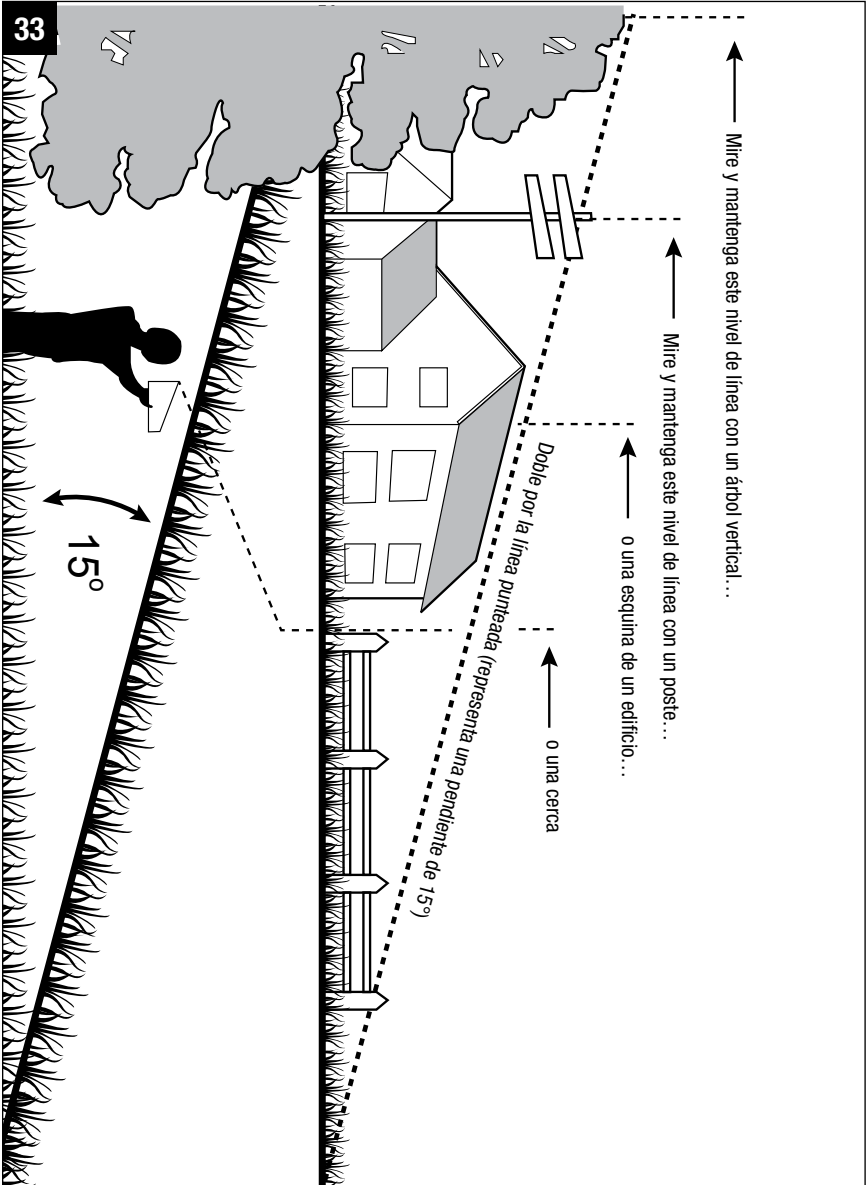
- Para obtener los mejores resultados, no corte el césped en círculos. Desplácese hacia atrás y hacia adelante por el césped.
- Cuando corte pasto grueso, reduzca la velocidad a la que camina para permitir un corte más efectivo y una descarga adecuada del pasto cortado.
- Para mantener un césped saludable, corte solo un tercio o menos de la longitud total del pasto. El césped promedio debería tener aproximadamente de 1-1/2 a 2 pulgadas (38 a 53 mm) de longitud durante los meses fríos y entre 2 y 3-1/4 pulgadas (53 y 83 mm) de longitud durante los meses calurosos.

## CALIBRE DE PENDIENTES (Fig. 33)

**⚠ ADVERTENCIA:** No corte el césped en una pendiente que tenga un ángulo de más de 15° (una subida de aproximadamente 2-1/2 pies (0,75 m) cada 10 pies [3 m]). Corte el césped transversalmente a la cara de una pendiente y nunca hacia arriba y hacia abajo.

Utilice la Fig. 33 como guía para identificar las pendientes en las que no se puede cortar el césped de manera segura.





## CONSEJOS PARA TRITURAR

**⚠ ADVERTENCIA:** Inspeccione el área donde se va a utilizar la cortadora de césped y retire todas las piedras, palos, alambres y otros residuos que podrían ser lanzados al aire por la cuchilla que rota.

- Suelte el interruptor para detener la rotación de las cuchillas de la cortadora de césped cuando cruce cualquier área con grava; las piedras pueden ser lanzada al aire por una cuchilla que rota.
- Ajuste la cortadora de césped a la altura de corte máxima cuando corte el césped en terreno desigual o en pasto alto.
- Para triturar de manera efectiva, no corte pasto mojado; dicho pasto tiende a pegarse a la parte inferior de la plataforma, con lo cual previene la trituración adecuada del pasto cortado. El mejor momento para cortar el pasto es a última hora de la tarde, cuando el pasto está seco y el área recién cortada no estará expuesta a la luz solar directa.
- Para obtener el mejor rendimiento de trituración, ajuste la altura de corte para retirar aproximadamente un tercio de la longitud de las briznas de pasto, idealmente no más de 1-1/2 pulgadas (38 mm) a la vez. Si el pasto ha crecido demasiado, es posible que sea necesario aumentar la altura de corte para facilitar el corte de césped y prevenir la sobrecarga del motor. Reduzca el ritmo de corte en condiciones de pasto alto o grueso. Para triturar pasto sumamente grueso o alto, es aconsejable cortar primero usando un ajuste de la altura de corte grande y luego cortar de nuevo hasta la altura de corte final. De lo contrario, haga cortes más estrechos y corte más lentamente. **ASEGÚRESE SIEMPRE DE QUE LA CUCHILLA ESTÉ AFILADA.**

## MANTENIMIENTO

**⚠ ADVERTENCIA:** Para evitar lesiones corporales graves, retire siempre el paquete de batería de la cortadora de césped antes de realizar limpieza o cualquier mantenimiento.

**⚠ ADVERTENCIA:** Cuando haga servicio de ajustes y reparaciones, utilice solo piezas de repuesto idénticas. Es posible que el uso de cualquier otra pieza cree un peligro o cause daños al producto. Para garantizar la seguridad y la confiabilidad, todas las reparaciones deberán ser realizadas por un técnico de servicio calificado.

### LIMPIEZA DE LA CORTADORA DE CÉSPED

**⚠ ADVERTENCIA:** Retire siempre el paquete de batería cuando haga servicio de ajustes y reparaciones o transporte la cortadora de césped.

La parte inferior de la plataforma de la cortadora de césped se deberá limpiar después de cada uso, ya que se acumularán pasto cortado, hojas, suciedad y otros residuos. Esta acumulación es indeseable; promoverá la oxidación y la corrosión.

Retire cualquier acumulación de pasto y hojas que se encuentre en o alrededor del eje de transmisión y el ventilador del motor (no use agua). Limpie la cortadora de césped con un paño húmedo.

## AFILADO DE LAS CUCHILLAS

**⚠ ADVERTENCIA:** Protéjase siempre las manos usando guantes gruesos o envolviendo los bordes de corte con trapos u otros materiales cuando realice cualquier mantenimiento en la cuchilla de la cortadora de césped. Retire siempre el paquete de batería cuando haga servicio de ajustes y reparaciones o transporte la cortadora de césped.

**⚠ ADVERTENCIA:** Use protección ocular adecuada mientras retira, afila e instala la cuchilla.

**⚠ ADVERTENCIA:** Una cuchilla desgastada, agrietada o dañada puede romperse y los pedazos de la cuchilla dañada se pueden convertir en proyectiles peligrosos. Los objetos lanzados al aire pueden causar lesiones graves. Inspeccione periódicamente la cuchilla y no utilice la cortadora de césped con una cuchilla desgastada o dañada.

**AVISO:** Mantenga afilada la cuchilla para obtener el mejor rendimiento de corte de césped. Una cuchilla desafilada no corta el pasto limpiamente ni tritura adecuadamente.

Para desinstalar la(s) cuchilla(s), siga el capítulo **DESINSTALACIÓN DE LA CUCHILLA** de la sección **ENSAMBLAJE** que se encuentra anteriormente en este manual.

Una cuchilla desafilada se puede afilar, pero una cuchilla que esté excesivamente desgastada, doblada, agrietada o dañada de alguna otra manera debe ser reemplazada. Una cuchilla desgastada o dañada se puede romper, haciendo que los pedazos de la cuchilla sean lanzados al aire desde la cortadora de césped.

Si se comprueba que las cuchillas están dobladas, lleve la cortadora de césped a un centro de servicio EGO autorizado para inspección.

## FRECUENCIA DE AFILADO

Afilar la cuchilla dos veces durante una temporada de corte de césped es habitualmente suficiente en circunstancias normales. La arena hace que la cuchilla se desafilé rápidamente; si su césped tiene terreno arenoso, es posible que se requiera un afilado más frecuente.

## CUANDO AFILE LA CUCHILLA:

- Asegúrese de que la cuchilla permanezca equilibrada.
- Afile la cuchilla con el ángulo de corte original.
- Afile los bordes de corte en ambos extremos de la cuchilla, retirando una cantidad igual de material de cada extremo.

## PARA AFILAR UNA CUCHILLA EN UNA PRENSA DE TORNILLO:

1. Retire la cuchilla de la cortadora de césped (sírvese consultar **DESINSTALACIÓN DE LA CUCHILLA**).
2. Fije la cuchilla en una prensa de tornillo (Fig. 34).
3. Use protección ocular adecuada y guantes adecuados, y tenga cuidado de no cortarse.
4. Lime cuidadosamente los bordes de corte de la cuchilla con una lima de dientes finos o una piedra de afilar, manteniendo el ángulo original de los bordes de corte.
5. Para comprobar el equilibrio de la cuchilla: sujete con abrazaderas un clavo o un destornillador con vástago redondo en posición horizontal. Posicione la cuchilla de manera que el clavo o el vástago redondo del destornillador soporte la cuchilla a través de su agujero central. Equilibre la cuchilla horizontalmente. Si cualquiera de los extremos de la cuchilla rota hacia abajo, elimine un poco de metal del extremo pesado o más bajo hasta que la cuchilla esté equilibrada. La cuchilla está equilibrada cuando ninguno de los extremos desciende (Fig. 35).
6. Reinstale la cuchilla en la cortadora de césped y apriétela firmemente (sírvese consultar **INSTALACIÓN DE LA CUCHILLA**).

**⚠ ADVERTENCIA:** Una cuchilla desequilibrada causará vibración excesiva cuando rote a altas velocidades. Es posible que cause daños a la cortadora de césped y se podría romper, causando lesiones corporales.

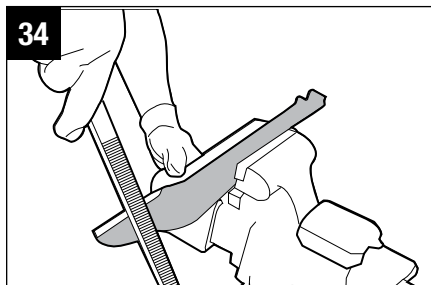
## LUBRICACIÓN

Lubrique la unidad con aceite ligero siguiendo las instrucciones que aparecen a continuación, al menos una vez cada temporada.

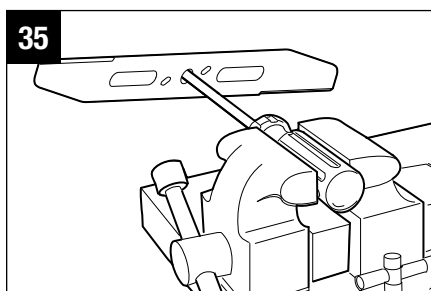
- Lubrique periódicamente el resorte y el pasador pivote en la palanca de ajuste rápido, el resorte de torsión y el pivote de la puerta de descarga trasera con aceite ligero para prevenir la corrosión (Fig. 36a y 36b).

- Coloque la cortadora de césped en la posición de almacenamiento bloqueada:

1. Mueva la palanca de ajuste de la altura de corte hacia la parte delantera y acóplela en el ajuste más bajo (ajuste 1).



2. Abra la abrazadera de fijación de la agarradera y retraiga completamente los rieles laterales hasta la posición compacta.



3. Presione y mantenga presionada la palanca de ajuste rápido con la mano derecha para soltar la agarradera.

4. Pivote suavemente la agarradera hacia la parte delantera de la cortadora de césped; suelte la palanca de ajuste rápido y continúe pivotando la agarradera hasta que oiga y sienta que el pasador de fijación se acopla en la posición de almacenamiento bloqueada.

- Coloque la cortadora de césped plegada en posición vertical sobre el piso (Fig. 36c).
- Lubrique la junta de ajuste de la altura de la plataforma.
- Lubrique los cojinetes ubicados en el eje de transmisión cerca de las ruedas traseras y los cojinetes ubicados en las ruedas delanteras (Fig. 36c).

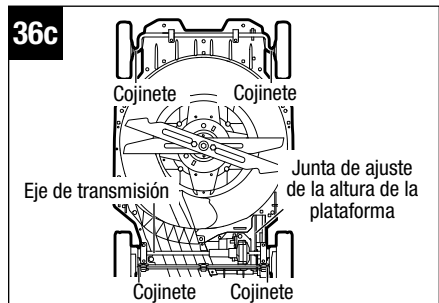
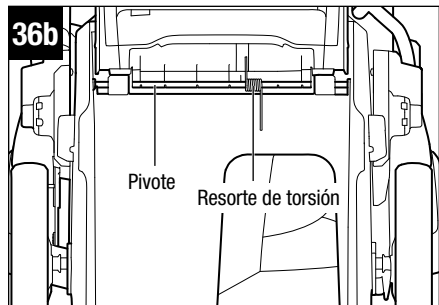
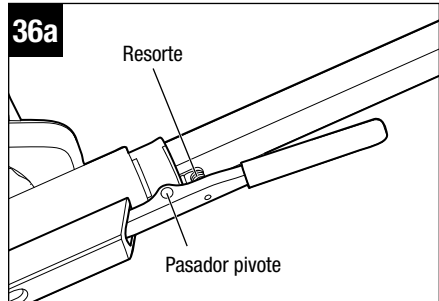
## REEMPLAZO DE LAS RUEDAS (Fig. 37a, 37b y 37c)

**⚠ ADVERTENCIA:** Retire siempre el paquete de batería cuando haga servicio de ajustes y reparaciones o transporte la cortadora de césped.

1. Voltee la cortadora de césped sobre su lado con la superficie superior contra una pared.
2. Utilice un destornillador de hoja plana para hacer palanca en la cubierta antipolvo y alejarla de la rueda.
3. Utilice una llave de tuerca ajustable o de 1/2 pulgada (13 mm) para girar el perno EN SENTIDO CONTRARIO AL DE LAS AGUJAS DEL RELOJ con el fin de aflojarlo.
4. Retire el perno, la rueda desgastada y la arandela ondulada del eje de la rueda.
5. Retire el engranaje impulsor de la rueda desgastada y ensámblelo en la rueda nueva con los 3 tornillos.

**NOTA:** Cuando monte el engranaje impulsor, la superficie del engranaje que dice “OUT” (FUERA) deberá estar orientada hacia fuera (Fig. 37c).

6. Monte la arandela ondulada y la rueda nueva en el eje de la rueda. Tenga presente que el entrante redondo debe estar orientado hacia fuera.
7. Fije la rueda con el perno apretando el perno en el sentido de las agujas del reloj.
8. Monte la tapa antipolvo sobre la rueda y presiónela en la posición correcta.

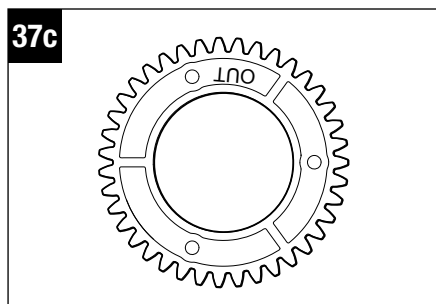
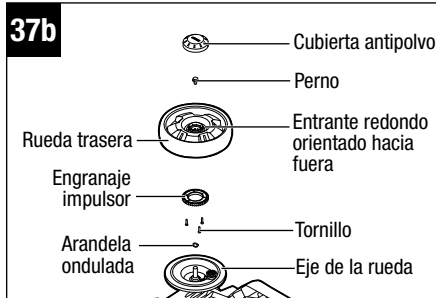
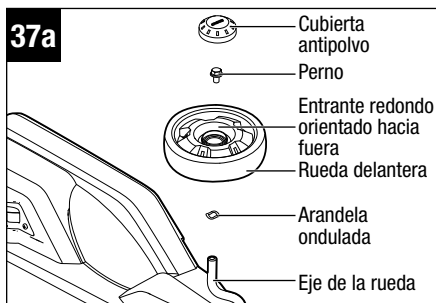


## REEMPLAZO DEL ESCUDO TRASERO

**⚠ ADVERTENCIA:** Retire siempre el paquete de batería cuando haga servicio de ajustes y reparaciones o transporte la cortadora de césped.

**⚠ ADVERTENCIA:** No utilice nunca la cortadora de césped a menos que el escudo trasero esté en la posición correcta y funcionando. No utilice nunca la cortadora de césped con dispositivos de seguridad dañados. Si no se hace así, el resultado puede ser lesiones corporales. El escudo trasero está sujeto a desgaste y daños, lo cual podría dejar al descubierto las piezas móviles o permitir que se lancen objetos al aire. Por protección de seguridad, compruebe frecuentemente el escudo trasero y reemplácelo inmediatamente solo por la pieza de repuesto idéntica que se indica en este manual.

1. Retire la batería.
2. Voltee la cortadora de césped sobre su lado con la superficie superior contra la pared.
3. Afloje y retire los tres tornillos de fijación del escudo trasero; retire el escudo trasero desgastado (Fig. 38).
4. Reemplácelo por un escudo trasero nuevo e instálelo con los tres tornillos de fijación.

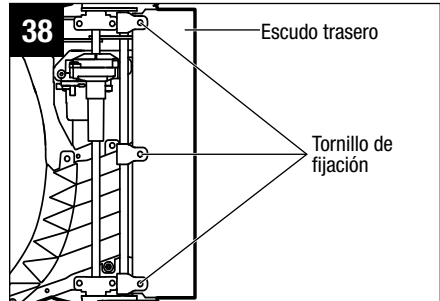




## ALMACENAMIENTO DE LA CORTADORA DE CÉSPED

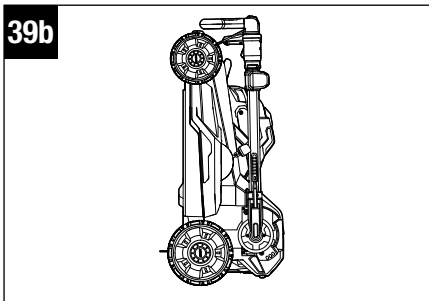
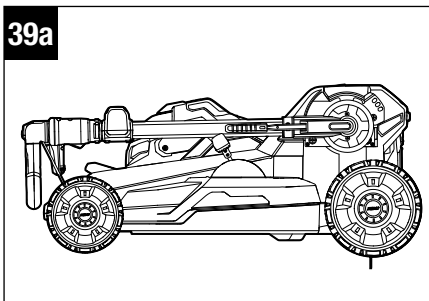
Se deberán seguir los siguientes pasos para preparar la cortadora de césped para su almacenamiento:

1. Retire el paquete de batería de la cortadora de césped y almacénelo a temperatura ambiente en un lugar seco.
2. Limpie la cortadora de césped tal y como se describe anteriormente en la sección de mantenimiento.
3. Inspeccione la cuchilla y reemplácela o afílela si es necesario.
4. Lubrique la cortadora de césped.
5. Almacene la cortadora de césped en un lugar limpio y seco. No la almacene junto a materiales corrosivos, tales como fertilizante o sal de roca.
6. Almacene la cortadora de césped en un espacio cubierto y cerrado que esté fresco y seco, y fuera del alcance de los niños.
7. No cubra la cortadora de césped con una lámina de plástico macizo. Las cubiertas de plástico atrapan la humedad alrededor de la cortadora de césped, lo cual causa oxidación y corrosión.



**El ensamblaje de la agarradera se puede plegar para retirarlo completamente con fines de almacenamiento:**

1. Retire la bolsa de pasto.
2. Mueva la palanca de ajuste de la altura de corte hacia la parte delantera y acóplela en el ajuste más bajo (ajuste 1).
3. Abra la abrazadera de fijación de la agarradera y retraiga completamente los rieles laterales hasta la posición compacta.
4. Presione y mantenga presionada con una mano la palanca de ajuste rápido para liberar la agarradera. Pivote suavemente la agarradera hacia la parte delantera de la cortadora de césped; suelte la palanca de ajuste rápido y continúe pivotando la agarradera hasta que oiga y sienta que el pasador de fijación se acopla en la posición de almacenamiento bloqueada.
5. Almacene la cortadora de césped en posición vertical o plana (Fig. 39a y 39b).



**⚠ ADVERTENCIA:** Si la cortadora de césped se inclina desde la posición vertical, es posible que el resultado sea daños a la cortadora de césped o lesiones corporales. Mantenga siempre la cortadora de césped estable y fuera del alcance de los niños cuando esté en posición vertical. Si es posible, póngala en posición plana para su almacenamiento.

# RESOLUCIÓN DE PROBLEMAS

**⚠ ADVERTENCIA:** Retire siempre el paquete de batería cuando haga servicio de ajustes y reparaciones o transporte la cortadora de césped. Protéjase siempre las manos usando guantes gruesos o envolviendo los bordes de corte con trapos u otros materiales cuando realice cualquier mantenimiento en la cuchilla de la cortadora de césped.

PROBLEMA	CAUSE	SOLUTION
La cortadora de césped o el sistema de autopropulsión no arrancan.	<ul style="list-style-type: none"> <li>■ La carga del paquete de batería está agotada.</li> <li>■ El paquete de batería no está insertado adecuadamente en el compartimiento de la batería.</li> <li>■ El paquete de batería o la circuitería de la cortadora de césped están demasiado calientes. (Consulte el capítulo "<b>INDICADORES DE ESTADO UBICADOS EN LA PANTALLA LCD DE LA CORTADORA DE CÉSPED</b>").</li> <li>■ Los rieles laterales no están extendidos hasta su longitud máxima o la abrazadera no está bloqueada en la posición correcta.</li> <li>■ La agarradera no está acoplada en una de las tres posiciones de utilización.</li> <li>■ La plataforma de la cortadora de césped está obstruida con pasto y residuos.</li> </ul>	<ul style="list-style-type: none"> <li>■ Cargue el paquete de batería.</li> <li>■ Instale el paquete de batería en la cortadora de césped; presiónelo hasta que oiga un clic.</li> <li>■ Deje que el paquete de batería o la cortadora de césped se enfríen hasta que la temperatura descienda por debajo de 152 °F (67 °C).</li> <li>■ Extienda completamente la agarradera y bloquee la abrazadera de fijación de la agarradera.</li> <li>■ Ajuste la agarradera en una de las tres posiciones de utilización.</li> <li>■ Limpie la plataforma de la cortadora de césped y asegúrese de que la cuchilla tenga libertad de movimiento.</li> </ul>

PROBLEM	CAUSE	SOLUTION
La cortadora de césped corta desigualmente	<ul style="list-style-type: none"> <li>■ La cuchilla está desfilada.</li> <li>■ La altura de corte del pasto no está ajustada correctamente.</li> <li>■ La cuchilla está ensamblada incorrectamente.</li> <li>■ El modo de velocidad de las cuchillas no está ajustado correctamente.</li> </ul>	<ul style="list-style-type: none"> <li>■ Afíle o reemplace la cuchilla.</li> <li>■ Mueva la altura de la plataforma a un ajuste más alto.</li> <li>■ Reensamble la cuchilla, siguiendo la sección “<b>INSTALACIÓN DE LA CUCHILLA</b>” de este manual.</li> <li>■ Seleccione un modo de velocidad de las cuchillas más rápido.</li> </ul>
Tiempo de funcionamiento corto de la cortadora de césped con la batería incluida	<ul style="list-style-type: none"> <li>■ Las condiciones del pasto y el ajuste de la altura de corte afectarán enormemente al tiempo de funcionamiento de la batería. El tiempo de funcionamiento indicado se basa en una situación de carga ligera.</li> <li>■ El modo de velocidad de las cuchillas no está ajustado correctamente.</li> </ul>	<ul style="list-style-type: none"> <li>■ Suba la altura de las cuchillas y disminuya el ritmo de corte para reducir la carga de corte.</li> <li>■ Seleccione un modo de velocidad de las cuchillas más lento.</li> </ul>
La cortadora de césped no tritura correctamente	<ul style="list-style-type: none"> <li>■ El pasto cortado mojado se está pegando a la parte inferior de la plataforma.</li> <li>■ La cortadora de césped está configurada para cortar demasiado pasto a la vez.</li> <li>■ El modo de velocidad de las cuchillas no está ajustado correctamente.</li> </ul>	<ul style="list-style-type: none"> <li>■ Espere hasta que el pasto se seque antes de cortarlo.</li> <li>■ Suba la plataforma hasta un ajuste de la altura de corte mayor.</li> <li>■ Seleccione un modo de velocidad de las cuchillas más rápido.</li> </ul>

PROBLEM	CAUSE	SOLUTION
<p>La cortadora de césped se detiene mientras corta el césped</p>	<ul style="list-style-type: none"> <li>■ El paquete de batería está agotado.</li> <li>■ La cortadora de césped está en estado de sobrecarga.</li> <li>■ La plataforma de la cortadora de césped está obstruida con pasto y residuos.</li> <li>■ El paquete de batería o la circuitería de la cortadora de césped están demasiado calientes (el indicador de alimentación eléctrica ubicado en la cortadora de césped emite una luz naranja durante 10 segundos).</li> <li>■ El riel lateral es retraído un poco por la fuerza de empuje aplicada sobre la agarradera.</li> <li>■ El modo de velocidad de las cuchillas no está ajustado correctamente.</li> </ul>	<ul style="list-style-type: none"> <li>■ Cargue el paquete de batería.</li> <li>■ Suba la altura de corte o disminuya el ritmo de corte de césped.</li> <li>■ Desobstruya la plataforma de la cortadora de césped. Suba la altura de corte y/o corte una franja más estrecha.</li> <li>■ Deje que el paquete de batería o la cortadora de césped se enfrien hasta que la temperatura descienda por debajo de 152 °F (67 °C).</li> <li>■ Desbloquee las abrazaderas. Extienda completamente los rieles laterales y bloquee de nuevo las abrazaderas.</li> <li>■ Seleccione la velocidad de las cuchillas correspondiente a un ajuste más bajo.</li> </ul>
<p>Hay vibración excesiva</p>	<ul style="list-style-type: none"> <li>■ La cuchilla de corte está floja.</li> <li>■ El ajuste de la cuchilla de corte está desequilibrado.</li> <li>■ La cuchilla de corte está doblada.</li> <li>■ El eje del motor está doblado.</li> <li>■ La cortadora de césped está configurada para cortar demasiado pasto a la vez.</li> <li>■ El modo de velocidad de las cuchillas no está ajustado correctamente.</li> </ul>	<ul style="list-style-type: none"> <li>■ Apriete la tuerca externa.</li> <li>■ Equilibre el ajuste de la cuchilla siguiendo <b>“AFILADO DE LA CUCHILLA”</b>.</li> <li>■ Reemplace la cuchilla.</li> <li>■ Contacte al centro de servicio.</li> <li>■ Suba la plataforma hasta un ajuste de la altura de corte mayor.</li> <li>■ Seleccione la velocidad de las cuchillas correspondiente a un ajuste más bajo.</li> </ul>

<b>PROBLEM</b>	<b>CAUSE</b>	<b>SOLUTION</b>
Es difícil jalar hacia atrás la cortadora de césped después de apagar la autopropulsión.	<ul style="list-style-type: none"><li>■ Los rieles laterales no están completamente extendidos.</li></ul>	<ul style="list-style-type: none"><li>■ Extienda completamente los rieles laterales y luego fije la abrazadera.</li></ul>
Es difícil maniobrar la cortadora de césped al cortar el césped alrededor de un objeto o cortarlo hacia detrás y hacia delante con la autopropulsión encendida.	<ul style="list-style-type: none"><li>■ Las ruedas están bloqueadas temporalmente.</li></ul>	<ul style="list-style-type: none"><li>■ Apague la autopropulsión.</li></ul>
El motor funciona, pero la cuchilla no corta el pasto	<ul style="list-style-type: none"><li>■ La cuchilla no está apretada con la fuerza de torsión requerida.</li></ul>	<ul style="list-style-type: none"><li>■ Reapriete la cuchilla. La fuerza de torsión recomendada para el perno de la cuchilla es de 36-43 pies-lb (49-59 Nm).</li></ul>
La pantalla LCD no se enciende / ilumina.	<ul style="list-style-type: none"><li>■ El botón de seguridad se presiona durante menos de 1 segundo.</li></ul>	<ul style="list-style-type: none"><li>■ La pantalla LCD se encenderá después de haber presionado el botón de seguridad durante 1 segundo.</li></ul>

# GARANTÍA

## POLÍTICA DE GARANTÍA

Garantía limitada de 5 años en equipos de energía para exteriores y energía portátil EGO POWER+ para uso doméstico personal.

Garantía limitada de 3 años en paquetes de batería y cargadores del Sistema EGO POWER+ para uso personal doméstico. Se aplica una garantía extendida adicional de 2 años para la batería de 10,0 Ah/12,0 Ah, tanto si se vende por separado (núm. de modelo BA5600T/BA6720T) como si se incluye con cualquier herramienta, si se registra dentro del plazo de 90 días después de su compra. Garantía limitada de 5 años en el cargador CHV1600, diseñado para utilizarse con la cortadora de césped con asiento con rad

Garantía limitada de 2 años/1 año en equipos de energía para exteriores, energía portátil, paquetes de baterías y cargadores EGO para uso profesional y comercial.

Los períodos de garantía detallados por productos se pueden encontrar en línea en <http://egopowerplus.com/warrantypolicy>.

**Póngase en contacto con Servicio al Cliente de EGO de manera gratuita al 1-855-EGO-5656**, cuando tenga preguntas o reclamaciones de garantía.

## GARANTÍA LIMITADA DE SERVICIO

Los productos EGO están garantizados contra defectos de material o de fabricación a partir de la fecha de compra original al por menor durante el período de garantía aplicable. El producto defectuoso será reparado gratuitamente.

- a) Esta garantía se aplica solo al comprador original del distribuidor minorista autorizado de EGO y podría no ser transferible. Los distribuidores minoristas autorizados de EGO se identifican en línea, en <http://egopowerplus.com/warrantypolicy>.
- b) El período de garantía para productos reacondicionados o certificados de fábrica que se utilizan para fines residenciales es de 1 año, para fines industriales, profesionales o comerciales es de 90 días.

- c) El período de garantía para las piezas de mantenimiento de rutina, tales como, pero sin limitarse a, asiento de cortadora de césped con asiento, ruedas, llantas, ruedas anticorte al ras, disco de freno, bloque de fricción, cuchillas, cabezales de orilladora, espadas de cadena, cadenas de sierra, correas, barras rascadoras, paletas de caucho, barrenas, zapatas antideslizantes, boquillas de soplador y todos los demás accesorios EGO, es de 90 días para fines residenciales y 30 días para fines industriales, profesionales o comerciales. Estas piezas están cubiertas durante 90/30 días contra defectos de fabricación en condiciones de trabajo normales.
- d) Esta garantía queda nula si el producto se ha puesto en alquiler.
- e) Esta garantía no cubre daños producto de modificaciones, alteraciones o reparaciones no autorizadas.
- f) Esta garantía solo cubre defectos que surjan del uso normal y no cubre el mal funcionamiento, las fallas ni los defectos que resulten del mal uso, el abuso (que incluye la sobrecarga del producto más allá de su capacidad y sumergirlo en agua o en cualquier otro líquido), accidentes, negligencia o falta de instalación adecuada y mantenimiento o almacenamiento inadecuados.
- g) Esta garantía no cubre el deterioro normal del acabado exterior, incluidos, entre otros, rayones, abolladuras, trozos de pintura o cualquier corrosión o decoloración producida por el calor o limpiadores químicos y abrasivos.

## CÓMO OBTENER EL SERVICIO

Para obtener el servicio de garantía, póngase en contacto con Servicio al Cliente de EGO de manera gratuita al **1-855-EGO-5656**. Cuando pida un servicio cubierto por la garantía, debe presentar el recibo con la fecha original de venta. Un centro de servicio autorizado será seleccionado para reparar el producto de acuerdo con los términos establecidos en la garantía. Cuando lleve el producto al centro de servicio autorizado, es posible que deba hacer un pequeño depósito cuando deje la herramienta. Este depósito se reembolsará cuando se considere que el servicio de reparación se haya cubierto con la garantía.

## LIMITACIONES ADICIONALES

En la medida en que la ley aplicable lo permita, se deniegan todas las garantías implícitas, inclusive las garantías de COMERCIALIZACIÓN o IDONEIDAD PARA UN PROPÓSITO ESPECÍFICO. Todas las garantías implícitas, inclusive las garantías de comerciabilidad o idoneidad para un propósito específico, que no se puedan denegar bajo la ley estatal, están limitadas al período de garantía aplicable definido al comienzo de este artículo.





Chervon North America no se hará responsable por daños directos, indirectos, accidentales o resultantes.

Algunos estados no permiten limitaciones con respecto a la duración de una garantía implícita y/o no permiten la exclusión o limitación de daños accidentales o resultantes, de modo que las limitaciones antes descritas podrían no aplicarse en su caso.

Esta garantía le otorga derechos legales específicos, pero podría tener también otros derechos que varían según el estado.

Para obtener el servicio al cliente, póngase en contacto con nosotros de manera gratuita al: **1-855-EGO-5656** o visite: **EGOPOWERPLUS.COM**

EGO Customer Service, 769 SEWARD AVE NW / Suite 102 Grand Rapids, MI 49504  
Some states do not allow limitations on how long an implied warranty lasts and/or do not allow the exclusion or limitation of incidental or consequential damages, so the above limitations may not apply to you.

This warranty gives you specific legal rights, and you may also have other rights which vary from state to state.

For customer service contact us toll-free at: **1-855-EGO-5656 or EGOPOWERPLUS.COM.**  
EGO Customer Service, 769 SEWARD AVE NW / Suite 102 Grand Rapids, MI 49504





