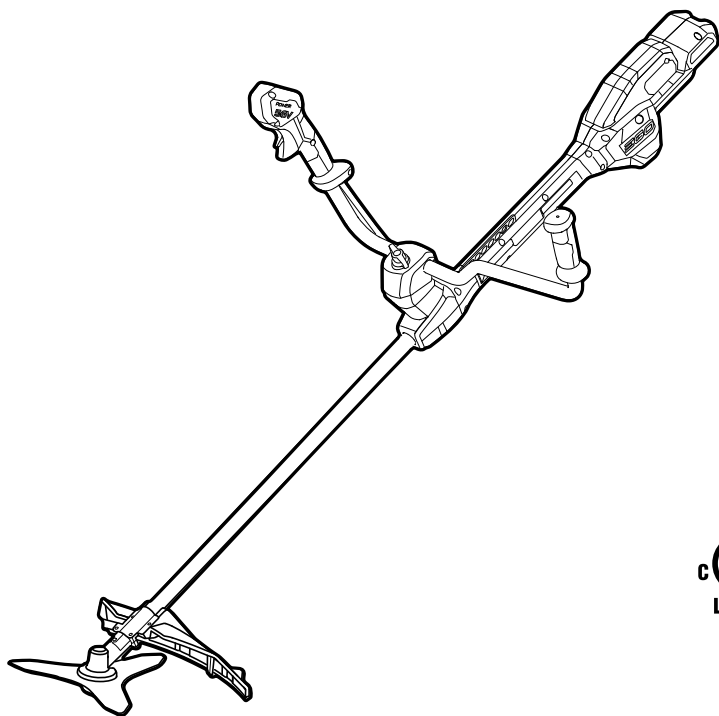


EGO™

COMMERCIAL



OPERATOR'S MANUAL

56-VOLT LITHIUM-ION COMMERCIAL 12" BRUSH CUTTER

MODEL NUMBER BCX4500/BCX4500-FC

Français p. 47

Español p. 99

⚠ WARNING: To reduce the risk of injury, the user must read and understand the Operator's Manual before using this product. Save these instructions for future reference.



TABLE OF CONTENTS

FCC Statement	3
Safety Symbols	4
Safety Instructions	5-13
Introduction	14
Specifications	15
Packing List	16
Description	17-18
Assembly	19-25
Operation	26-38
Maintenance	39-42
Troubleshooting	43-44
Warranty	45-46

FCC STATEMENT

1. This device complies with Part 15 of the FCC Rules. Operation is subject to the following two conditions:
 - 1) This device may not cause harmful interference.
 - 2) This device must accept any interference received, including interference that may cause undesired operation.
2. Changes or modifications not expressly approved by the party responsible for compliance could void the user's authority to operate the equipment.

NOTICE: This equipment has been tested and found to comply with the limits for a Class B digital device, pursuant to Part 15 of the FCC Rules. These limits are designed to provide reasonable protection against harmful interference in a residential installation. This equipment generates, uses, and can radiate radio frequency energy and, if not installed and used in accordance with the instructions, may cause harmful interference to radio communications. However, there is no guarantee that interference will not occur in a particular installation. If this equipment does cause harmful interference to radio or television reception, which can be determined by turning the equipment off and on, the user is encouraged to try to correct the interference by one or more of the following measures: Reorient or relocate the receiving antenna. Increase the separation between the equipment and receiver. Connect the equipment into an outlet on a circuit different from that to which the receiver is connected. Consult the dealer or an experienced radio/TV technician for help.

SAFETY SYMBOLS

The purpose of safety symbols is to attract your attention to possible dangers. The safety symbols and the explanations with them deserve your careful attention and understanding. The symbol warnings do not, by themselves, eliminate any danger. The instructions and warnings they give are no substitutes for proper accident prevention measures.

⚠ WARNING: Be sure to read and understand all safety instructions in this Operator's Manual, including all safety alert symbols such as "**DANGER**," "**WARNING**," and "**CAUTION**" before using this tool. Failure to following all instructions listed below may result in electric shock, fire, and/or serious personal injury.

SYMBOL MEANING

⚠ SAFETY ALERT SYMBOL: Indicates **DANGER**, **WARNING**, or **CAUTION**. May be used in conjunction with other symbols or pictographs.



⚠ WARNING! The operation of any power tools can result in foreign objects being thrown into your eyes, which can result in severe eye damage. Before beginning power tool operation, always wear safety goggles or safety glasses with side shield and a full face shield when needed. We recommend a Wide Vision Safety Mask for use over eyeglasses or standard safety glasses with side shields. Always use eye protection which is marked to comply with ANSI Z87.1.

SAFETY INSTRUCTIONS

This page depicts and describes safety symbols that may appear on this product. Read, understand, and follow all instructions on the machine before attempting to assemble and operate it.

	Safety Alert	Indicates a potential personal injury hazard.
	Read & Understand Operator's Manual	To reduce the risk of injury, user must read and understand operator's manual before using this product.
	Wear Eye Protection	Always wear safety goggles or safety glasses with side shields and a full face shield when operating this product.
	Wear Ear Protection	Always wear sound barriers (ear plugs or ear muffers) to protect your hearing.
	Wear Head Protection	Wear an approved safety hard hat to protect your head.
	Wear Hand Protection	Protect your hands with gloves when handling brush cutter and its blade. Heavy-duty, nonslip gloves improve your grip and protect your hands.
	Wear Slip-resistant Footwear	Wear non-slip safety footwear when using this equipment.
	Be Ware of Thrown Objects	Thrown objects can ricochet and result in personal injury or property damage.

	<p>The distance between the machine and bystanders shall be at least 15 m (50 ft)</p>	<p>Ensure that other people and pets remain at least 50 ft (15 m) away from the brush cutter when it is in use.</p>
	<p>Beware of Blade Thrust</p>	<p>Warn the operator of the danger of blade thrust.</p>
	<p>Disconnect Battery Before Maintenance</p>	<p>Alters user to disconnect battery before maintenance.</p>
	<p>Recycle Symbol</p>	<p>This product uses lithium-ion (Li-ion) batteries. Local state, or federal laws may prohibit disposal of batteries in ordinary trash. Consult your local waste authority for information regarding available recycling and/or disposal options.</p>
	<p>Bluetooth®</p>	<p>Bluetooth® Symbol</p>
<p>IPX5</p>	<p>Ingress Protection Degree</p>	<p>Protection from water jets</p>
<p>V</p>	<p>Volt</p>	<p>Voltage</p>
	<p>Direct Current (DC)</p>	<p>Type or a characteristic of current</p>
<p>n_0</p>	<p>Maximum Speed</p>	<p>Maximum Rotational speed</p>
<p>RPM</p>	<p>Revolutions per minute</p>	<p>Rotational speed</p>
<p>cm</p>	<p>Centimeter</p>	<p>Length or size</p>
<p>mm</p>	<p>Millimeter</p>	<p>Length or size</p>
<p>in.</p>	<p>Inch</p>	<p>Length or size</p>
<p>Ft.</p>	<p>Feet</p>	<p>Length or size</p>
<p>kg</p>	<p>Kilogram</p>	<p>Weight</p>
<p>lb.</p>	<p>Pound</p>	<p>Weight</p>
<p>°C</p>	<p>Degree Celsius</p>	<p>Temperature</p>
<p>°F</p>	<p>Degree Fahrenheit</p>	<p>Temperature</p>

GENERAL MACHINE SAFETY WARNINGS

⚠ WARNING: Read all safety warnings, instructions, illustrations and specifications provided with this machine. Failure to follow all instructions listed below may result in electric shock, fire and/or serious injury.

SAVE ALL WARNINGS AND INSTRUCTIONS FOR FUTURE REFERENCE.

The term “machine” in the warnings refers to your mains-operated (corded) machine or battery-operated (cordless) machine.

Work area safety

- **Keep work area clean and well lit.** Cluttered or dark areas invite accidents.
- **Do not operate machines in explosive atmospheres, such as in the presence of flammable liquids, gases or dust.** Machines create sparks which may ignite the dust or fumes.
- **Keep children and bystanders away while operating a machine.** Distractions can cause you to lose control.

Electrical safety

- **Machine plugs must match the outlet. Never modify the plug in any way. Do not use any adapter plugs with earthed (grounded) machines.** Unmodified plugs and matching outlets will reduce risk of electric shock.
- **Avoid body contact with earthed or grounded surfaces, such as pipes, radiators, ranges and refrigerators.** There is an increased risk of electric shock if your body is earthed or grounded.
- **Do not operate the machine in rain or wet conditions.** Water entering the machine may increase the risk of electric shock or malfunction that could result in personal injury.
- **Do not abuse the cord. Never use the cord for carrying, pulling or unplugging the machine. Keep cord away from heat, oil, sharp edges or moving parts.** Damaged or entangled cords increase the risk of electric shock.
- **When operating a machine outdoors, use an extension cord suitable for outdoor use.** Use of a cord suitable for outdoor use reduces the risk of electric shock.
- **If operating a machine in a damp location is unavoidable, use a ground fault circuit interrupter (GFCI) protected supply.** Use of a GFCI reduces the risk of electric shock.

Personal safety

- **Stay alert, watch what you are doing and use common sense when operating a machine. Do not use a machine while you are tired or under the influence of drugs, alcohol or medication.** A moment of inattention while operating machines may result in serious personal injury.
- **Use personal protective equipment.** Always wear eye protection. Protective equipment such as a dust mask, non-skid safety shoes, hard hat or hearing protection used for appropriate conditions will reduce personal injuries.
- **Prevent unintentional starting. Ensure the switch is in the off-position before connecting to power source and/or battery pack, picking up or carrying the machine.** Carrying machines with your finger on the switch or energizing machines that have the switch on invites accidents.
- **Remove any adjusting key or wrench before turning the machine on.** A wrench or a key left attached to a rotating part of the machine may result in personal injury.
- **Do not overreach. Keep proper footing and balance at all times.** This enables better control of the machine in unexpected situations.
- **Dress properly. Do not wear loose clothing or jewelry. Keep your hair and clothing away from moving parts.** Loose clothes, jewelry or long hair can be caught in moving parts.
- **If devices are provided for the connection of dust extraction and collection facilities, ensure these are connected and properly used.** Use of dust collection can reduce dust-related hazards.
- **Do not let familiarity gained from frequent use of machines allow you to become complacent and ignore machine safety principles.** A careless action can cause severe injury within a fraction of a second.

Machine use and care

- **Do not force the machine. Use the correct machine for your application.** The correct machine will do the job better and safer at the rate for which it was designed.
- **Do not use the machine if the switch does not turn it on and off.** Any machine that cannot be controlled with the switch is dangerous and must be repaired.

- **Disconnect the plug from the power source and/or remove the battery pack, if detachable, from the machine before making any adjustments, changing accessories, or storing machines.** Such preventive safety measures reduce the risk of starting the machine accidentally.
- **Store idle machines out of the reach of children and do not allow persons unfamiliar with the machine or these instructions to operate the machine.** Machines are dangerous in the hands of untrained users.
- **Maintain machines and accessories. Check for misalignment or binding of moving parts, breakage of parts and any other condition that may affect the machine's operation.** If damaged, have the machine repaired before use. Many accidents are caused by poorly maintained machines.
- **Keep cutting machines sharp and clean.** Properly maintained cutting machines with sharp cutting edges are less likely to bind and are easier to control.
- **Use the machine, accessories and machine bits etc. in accordance with these instructions, taking into account the working conditions and the work to be performed.** Use of the machine for operations different from those intended could result in a hazardous situation.
- **Keep handles and grasping surfaces dry, clean and free from oil and grease.** Slippery handles and grasping surfaces do not allow for safe handling and control of the machine in unexpected situations.

Battery machine use and care

- **Recharge only with the charger specified by the manufacturer.** A charger that is suitable for one type of battery pack may create a risk of fire when used with another battery pack.
- **Use machines only with specifically designated battery packs.** Use of any other battery packs may create a risk of injury and fire.
- **When battery pack is not in use, keep it away from other metal objects, like paper clips, coins, keys, nails, screws or other small metal objects, that can make a connection from one terminal to another.** Shorting the battery terminals together may cause burns or a fire.
- **Under abusive conditions, liquid may be ejected from the battery; avoid contact. If contact accidentally occurs, flush with water. If liquid contacts eyes, additionally seek medical help.** Liquid ejected from the battery may cause irritation or burns.

- **Do not use a battery pack or machine that is damaged or modified.**
Damaged or modified batteries may exhibit unpredictable behavior resulting in fire, explosion or risk of injury.
- **Do not expose a battery pack or machine to fire or excessive temperature.**
Exposure to fire or temperature above 265 °F (130 °C) may cause explosion.
- **Follow all charging instructions and do not charge the battery pack or machine outside the temperature range specified in the instructions.**
Charging improperly or at temperatures outside the specified range may damage the battery and increase the risk of fire.

Service

- **Have your machine serviced by a qualified repair person using only identical replacement parts.** This will ensure that the safety of the machine is maintained.
- **Never service damaged battery packs.** Service of battery packs should only be performed by the manufacturer or authorized service providers.

String trimmer and brush cutter safety warnings

- **Do not use the machine in bad weather conditions, especially when there is a risk of lightning.** This decreases the risk of being struck by lightning.
- **Thoroughly inspect the area for wildlife where the machine is to be used.**
Wildlife may be injured by the machine during operation.
- **Thoroughly inspect the area where the machine is to be used and remove all stones, sticks, wires, bones, and other foreign objects.** Thrown objects can cause personal injury.
- **Before using the machine, always visually inspect to see that the cutter or blade and the cutter or blade assembly are not damaged.** Damaged parts increase the risk of injury.
- **Follow instructions for changing accessories.** Improperly tightened blade securing nuts or bolts may either damage the blade or result in it becoming detached.
- **The rated rotational speed of the blade must be at least equal to the maximum rotational speed marked on the machine.** Blades running faster than their rated rotational speed can break and fly apart.
- **Wear eye, ear, head and hand protection.** Adequate protective equipment will reduce personal injury by flying debris or accidental contact with the cutting line or blade.

- **While operating the machine, always wear non-slip and protective footwear.** Do not operate the machine when barefoot or wearing open sandals. This reduces the chance of injury to the feet from contact with a moving cutter, line or blade.
- **While operating the machine, always wear long trousers.** Exposed skin increases the likelihood of injury from thrown objects.
- **Keep bystanders away while operating the machine.** Thrown debris can result in serious personal injury.
- **Always use two hands when operating the machine.** Holding the machine with both hands will avoid loss of control.
- **Hold the machine by the insulated gripping surfaces only, because the cutting line or blade may contact hidden wiring.** Cutting line or blades contacting a "live" wire may make exposed metal parts of the machine "live" and could give the operator an electric shock.
- **Always keep proper footing and operate the machine only when standing on the ground.** Slippery or unstable surfaces may cause a loss of balance or control of the machine.
- **Do not operate the machine on excessively steep slopes.** This reduces the risk of loss of control, slipping and falling which may result in personal injury.
- **When working on slopes, always be sure of your footing, always work across the face of slopes, never up or down and exercise extreme caution when changing direction.** This reduces the risk of loss of control, slipping and falling which may result in personal injury.
- **Keep all parts of the body away from the cutter, line or blade when the machine is operating. Before you start the machine, make sure the cutter, line or blade is not contacting anything.** A moment of inattention while operating the machine may result in injury to yourself or others.
- **Do not operate the machine above waist height.** This helps prevent unintended cutter or blade contact and enables better control of the machine in unexpected situations.
- **When cutting brush or saplings that are under tension, be alert for spring back.** When the tension in the wood fibers is released, the brush or sapling may strike the operator and/or throw the machine out of control.
- **Use extreme caution when cutting brush and saplings.** The slender material may catch the blade and be whipped toward you or pull you off balance.

- **Maintain control of the machine and do not touch cutters, lines or blades and other hazardous moving parts while they are still in motion.** This reduces the risk of injury from moving parts.
- **Carry the machine with the machine switched off and away from your body.** Proper handling of the machine will reduce the likelihood of accidental contact with a moving cutter, line or blade.
- **Only use replacement cutters, lines, cutting heads and blades specified by the manufacturer.** Incorrect replacement parts may increase the risk of breakage and injury.
- **When clearing jammed material or servicing the machine, make sure the switch is off and the battery pack is removed.** Unexpected starting of the machine while clearing jammed material or servicing may result in serious personal injury.
- **When transporting or storing the machine, always fit the cover on metal blades.** Proper handling of the machine will reduce the likelihood of accidental contact with the blade.
- **Damage to Trimmer** - If you strike a foreign object with the trimmer or it becomes entangled, stop the machine immediately, check for damage and have any damage repaired before further operation is attempted. Do not operate with a broken guard or spool.
- **If the equipment should start to vibrate abnormally, stop the motor and check immediately for the cause.** Vibration is generally a warning of trouble. A loose head may vibrate, crack, break or come off the trimmer, which may result in serious or fatal injury. Make sure that the cutting attachment is properly fixed in position. If the head loosens after fixing it in position, replace it immediately. Never use a trimmer with a loose cutting attachment.
- **Use only with the battery packs and chargers listed below:**

BATTERY PACK	CHARGER
BA1400, BA1400-FC, BA2800, BA2800-FC, BA4200, BA4200-FC, BA1400T, BA1400T-FC, BA2242T, BA2242T-FC, BA2800T, BA2800T-FC, BA3360T, BA3360T-FC, BA4200T, BA4200T-FC, BA5600T, BA5600T-FC, BA6720T, BA6720T-FC	CH2100, CH2100-FC, CH3200, CH3200-FC, CH5500, CH5500-FC, CH2800D, CH2800D-FC, CH7000, CH7000-FC
BAX1501/BAX1501-FC	CHX5500/CHX5500-FC

Blade thrust causes and related warnings

Blade thrust is a sudden sideways, forward or backward motion of the machine, which may occur when the blade jams or catches on an object such as a sapling or a tree stump. It can be violent enough to cause the machine and/or operator to be propelled in any direction, and possibly lose control of the machine.

Blade thrust and its related hazards can be avoided by taking proper precautions as given below.

- **Maintain a firm grip with both hands on the machine and position your arms to resist blade thrust. Position your body to the left side of the machine.** Blade thrust can increase the risk of injury due to the machine moving unexpectedly. Blade thrust can be controlled by the operator if proper precautions are taken.
- **If the blade binds, or when interrupting a cut for any reason, switch the machine off and hold the machine motionless in the material until the blade comes to a complete stop. While the blade is binding, never attempt to remove the machine from the material or pull the machine backward while the blade is in motion, otherwise blade thrust may occur.** Investigate and take corrective actions to eliminate the cause of blade binding.
- **Do not use blunt or damaged blades.** Blunt or damaged blades increase the risk of jamming or catching on an object, resulting in blade thrust.
- **Always maintain good visibility of the material being cut.** Blade thrust is more likely to occur in areas where it is difficult to see the material being cut.
- **If you are approached by another person while operating the machine, switch the machine off.** There is an increased risk of injury to other persons being struck by the moving blade in the event of blade thrust.

SAVE THESE INSTRUCTIONS!



INTRODUCTION

Congratulations on your selection of the new EGO COMMERCIAL 56V Lithium-ion brush cutter. It has been designed, engineered and manufactured to give you the best possible dependability and performance.


Should you experience any problem you cannot easily remedy, please contact EGO customer service center 1-855-EGO-5656.

This manual contains important information on to the safe assembly, operation and maintenance of your string trimmer. Read it carefully before using the string trimmer. Keep this manual handy so you can refer to it at any time.

SERIAL NUMBER _____ DATE OF PURCHASE _____

YOU SHOULD RECORD BOTH SERIAL NUMBER AND DATE OF PURCHASE AND KEEP THEM IN A SAFE PLACE FOR FUTURE REFERENCE

SPECIFICATIONS

Voltage	56V 
n_0	1: 3500 /min 2: 4500 /min 3: 5700 /min
Cutting Mechanism	3-tooth metal blade
Cutting Swath	12 in. (30 cm)
Ingress Protection Rating	IPX5* (Protection from water jets)
Recommended Operating Temperature	32 – 104 °F (0 – 40 °C)
Recommended Storage Temperature	-4 – 158 °F (-20 – 70 °C)
Weight (without battery pack)	12 lbs (5.4 kg)

* **NOTE:** IPX5 rating is based on the machine and battery being used together as a system.

Recommended Accessories

PART NAME	MODEL NUMBER
Brush cutter blade	ABB 1203-1



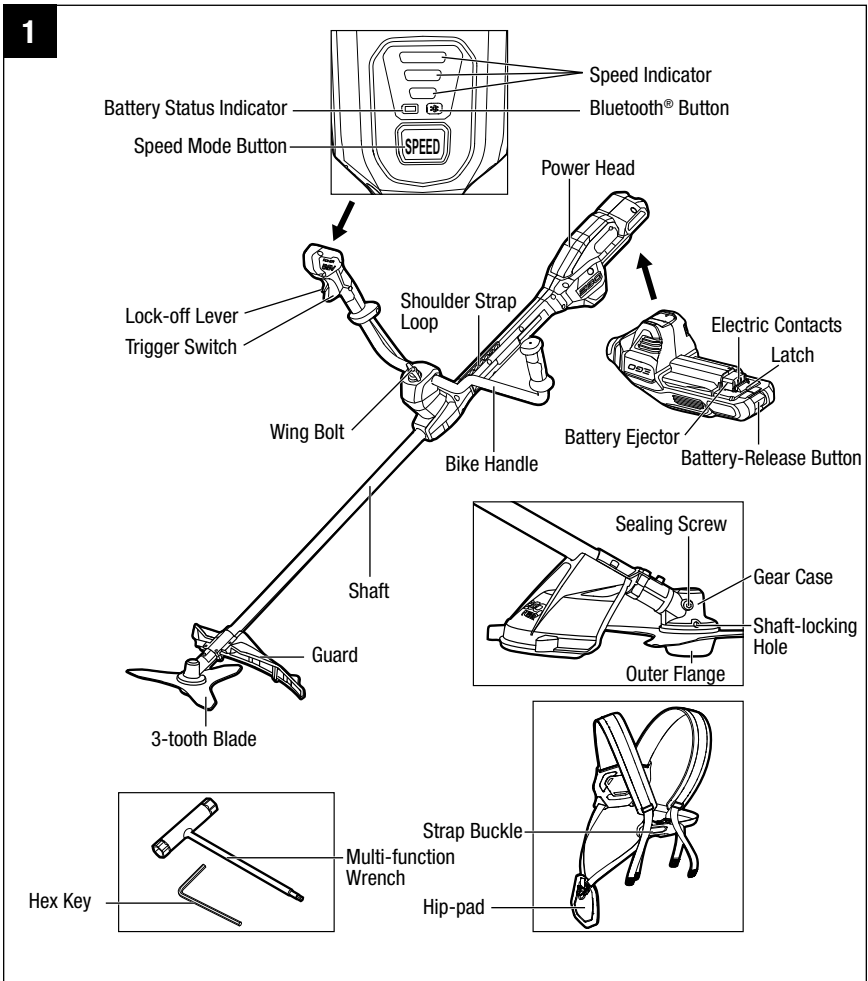
PACKING LIST

PART NAME	QUANTITY
Brush Cutter	1
Blade and Blade Sheath Set	1
Guard	1
Double-shoulder Strap	1
Hex Key (4 mm)	1
Multi-function Wrench	1
Operator's Manual	1

DESCRIPTION

KNOW YOUR BRUSH CUTTER (Fig.1)

The safe use of this product requires an understanding of the information on the machine and in this operator's manual, as well as knowledge of the project you are attempting. Before using this product, familiarize yourself with all operating features and safety rules.



POWER HEAD

The part of the tool containing the electric motor and electric contacts for the battery pack connection.

ADJUSTABLE BIKE HANDLE

For easy control of the machine during cutting.

GUARD

Reduces the risk of injury from foreign objects flung backwards toward the operator and from contact with the cutting attachment.

3-TOOTH BLADE

Cutting accessory for brush cutting.

BLADE SHEATH

The blade sheath keeps the operator from coming in contact with the sharp blade when the tool is not in use. It also helps keep the brush cutter blade from being nicked or damaged when the tool is being transported or stored.

CLAMP WIRE

To secure the blade sheath on the blade.

TRIGGER SWITCH / LOCK-OFF LEVER

Turns the machine ON and OFF; the lock-off lever must be moved up until it completely fits into the groove before pressing the trigger switch.

SPEED MODE BUTTON

Switches between high, medium, and low speed modes for different tasks at hand.

BATTERY STATUS INDICATOR

Indicates the charge level of the battery pack and the working status of the battery.

BLUETOOTH® BUTTON

To set up Bluetooth® connection and indicate the connection status.

The Bluetooth® word mark and logos are registered trademarks owned by Bluetooth SIG, inc. and any use of such marks by EGO is under license.

ASSEMBLY

⚠ WARNING: If any parts are damaged or missing, do not operate this product until the parts are replaced. Use of this product with damaged or missing parts could result in serious personal injury.

⚠ WARNING: Do not attempt to modify this product or create accessories not recommended for use with this product. Any such alteration or modification is misuse and could result in a hazardous condition leading to possible serious personal injury.

⚠ WARNING: Always wear heavy gloves when performing any maintenance on the blade. Be careful of the blade and protect your hands from being injured by the blade.

⚠ WARNING: To prevent accidental starting that could cause serious personal injury, always remove the battery pack from the machine when assembling parts, making adjustments, cleaning, or when not in use.

UNPACKING

This product requires assembly.

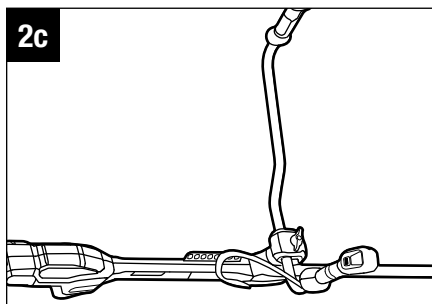
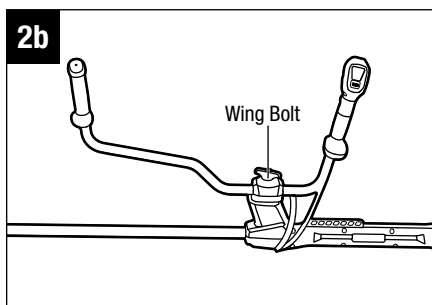
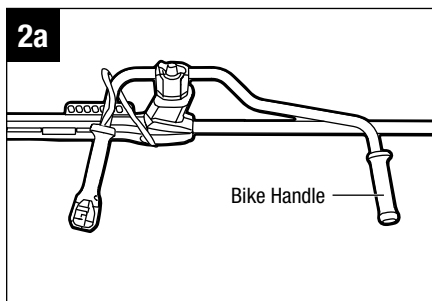
- Carefully remove the product and any accessories from the box. Make sure that all items listed in the packing list are included.
- Inspect the machine carefully to make sure that no breakage or damage occurred during shipping.
- Do not discard the packing material until you have carefully inspected and satisfactorily operated the machine.
- If any parts are damaged or missing, please return the product to the place of purchase.

ADJUSTING THE BIKE HANDLE

⚠ WARNING: Always remove the battery pack from the product when you are assembling parts, making adjustments, cleaning, or when the product is not in use.

1. During shipping, the bike handle is mounted on the shaft as shown in Fig. 2a.
2. Loosen the wing bolt on the bracket and then lift the bike handle 180° around the shaft as shown in Fig. 2b.
3. Turn the handle 90° **COUNTERCLOCKWISE** to make it face the cutter (Fig. 2c).
4. Tighten the wing bolt to secure the bike handle in place.



⚠ WARNING: Risk of serious personal injury. Only start the tool when the bike handle is adjusted perpendicular to the pole and the operator holds it with both hands.



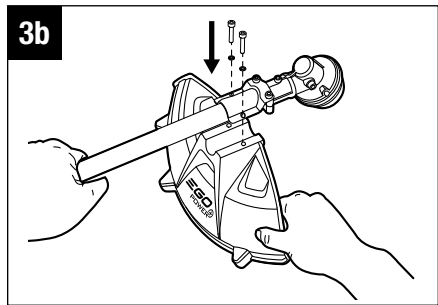
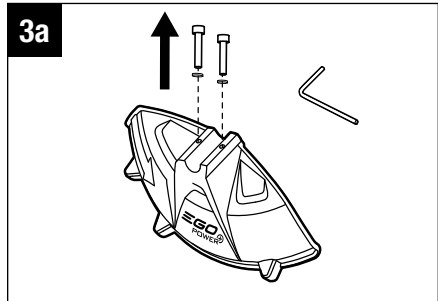
MOUNTING THE GUARD

⚠ WARNING: To reduce the risk of injury to people, do not operate without guard in place.

1. Loosen the two bolts in the guard with the supplied hex key, then remove the bolts and spring washers from the guard (Fig. 3a).
2. Lift the cutter head and face it downward. Align the two mounting holes in the guard with the two assembly holes in the base of the shaft and then secure the guard onto the shaft base with the two screws and two spring washers (Fig. 3b).

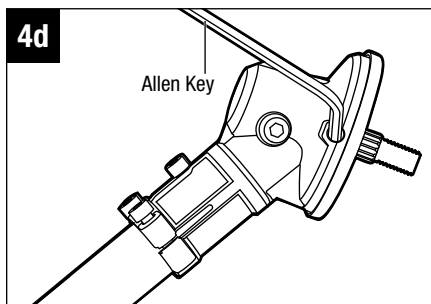
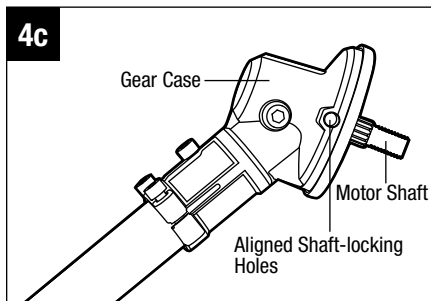
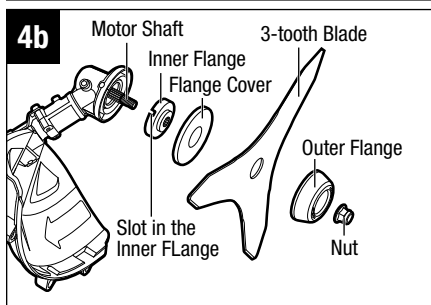
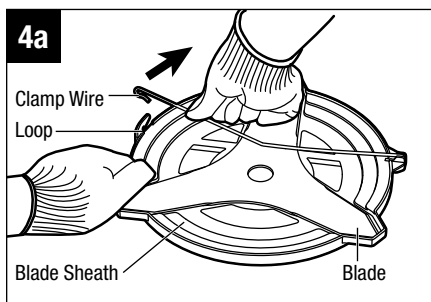
NOTICE: There are two kinds of guards compatible with this machine. the guard with icon   can only be used with the string trimmer head and must not be used with brusher cutter head. Be careful to choose the correct guard when using the machine.

NOTICE: The string trimmer guard is not included (EGO AD4500, sold separately).

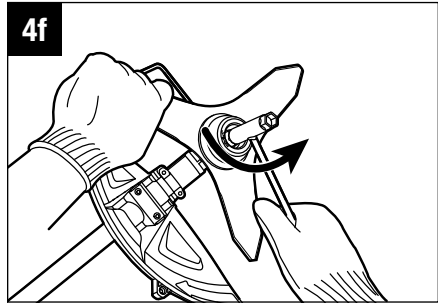
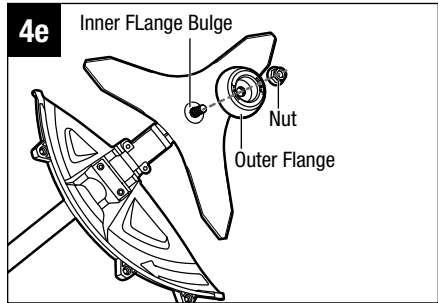


MOUNTING THE BLADE

1. The blade is shipped with a sheath. Before mounting the blade onto the brush cutter, the sheath should be removed by undoing the clamp wire from the loop on the sheath (Fig. 4a).
2. Familiarize yourself the cutting head assembly shown in Fig. 4b. Before mounting the blade, make sure that the inner flange and the flange cover are positioned correctly on the motor shaft (Fig. 4b).
3. Rotate the motor shaft to align the slot in the inner flange with the shaft-lock access hole in the gear case (Fig. 4c).
4. Insert the included hex key into the aligned holes to act as shaft lock (Fig. 4d).



5. Mount the blade onto the motor shaft, ensuring that the surface of the blade is flush with the surface of the inner flange bulge. Mount the outer flange and the nut (Fig. 4e). Finger-tighten the nut in COUNTERCLOCKWISE direction.
6. Position the gear case against a solid surface for support. With one hand holding the brush cutter shaft and the other hand grasping the multi-function wrench to tighten the nut following the directional arrow icon marked on the outer flange (Fig. 4f).

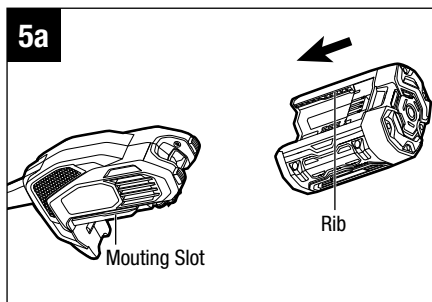


ATTACHING/DETACHING BATTERY

NOTE: Fully charge battery pack before first use.

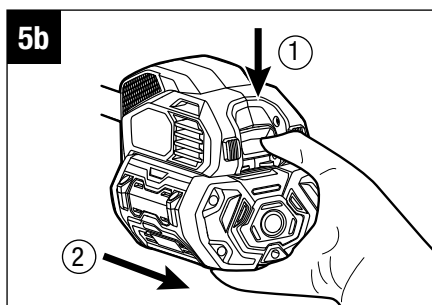
To Attach

Align the battery ribs with the mounting slots in the machine's battery port and slide the battery pack until it snaps into position (Fig. 5a).



To Detach

Always be aware of the location of your feet, children, or pets when pressing the battery-release button. Serious injury could result if the battery pack falls. NEVER remove the battery pack at a high location.



- 1 Depress the battery-release button and the battery pack will disengage from the latch (Fig. 5b).
2. Grasp the battery pack and remove it from the machine.

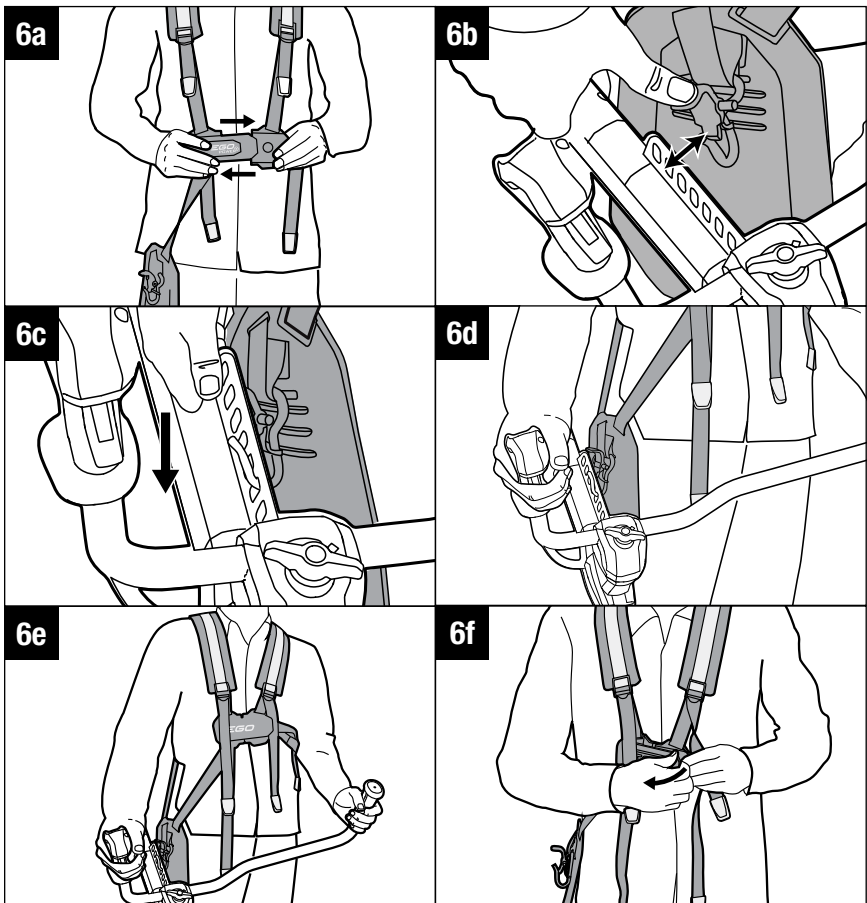
MOUNTING THE DOUBLE-SHOULDER STRAP

1. Put the double-shoulder strap on your body and insert the two parts of the strap buckle into each other until a click is heard (Fig. 6a).
2. Insert the carabiner hook of the hip pad into hole of the shoulder strap loop fixed on the shaft, and press the shaft down softly (Fig.6b & 6c & 6d).
3. Hold the brush cutter with both hands on the right side of your body (Fig. 6e). The blade should be parallel to the ground at a proper cutting distance without the need for the operator to bend over.
4. Releasing the brush cutter can be achieved in two ways: release the strap buckle (Fig. 6f) or press the carabiner of the strap and remove the hook from the loop fixed on the shaft (Fig. 6b).

⚠ WARNING: When an emergency occurs, take it off from your shoulder immediately, no matter what way the strap is in. Releasing the strap buckle (Fig. 6f) and both hands taking off your shoulders at each side is a quick release method.

⚠ WARNING: You should not use the single-shoulder strap and double-shoulder strap simultaneously.

NOTICE: When wearing the strap, no other wearable interferes with the release and removal of the strap.



OPERATION

⚠ WARNING: Do not allow familiarity with this product to make you careless. Remember that a careless fraction of a second is sufficient to inflict serious injury.

⚠ WARNING: Always wear eye protection that is marked to comply with ANSI Z87.1. Failure to do so could result in objects being thrown into your eyes and other possible serious injuries.

⚠ WARNING: Do not use any attachments or accessories not recommended by the manufacturer of this product. The use of attachments or accessories not recommended can result in serious personal injury.

⚠ WARNING: To prevent serious personal injury, remove the battery back from the machine before servicing, cleaning, changing attachments or removing material from the unit.

APPLICATIONS

You may use this product for the purpose listed below:

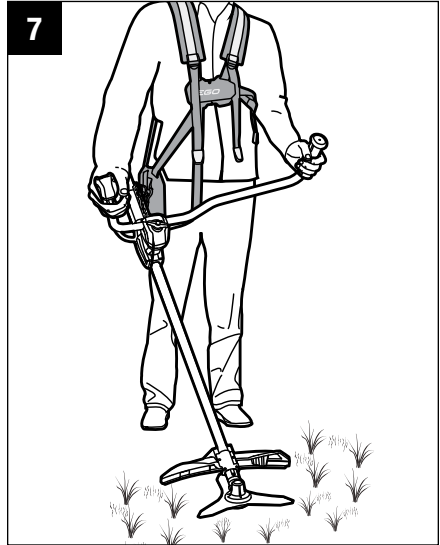
- With 3-tooth metal blade (original configuration): Cutting grass, weeds, wild growth, and scrub, thinning young stands with a maximum stem diameter of 3/4 in (2 cm).
- With Trimmer Head (sold separately): Trimming grass and weeds from around porches, fences, and decks.

NOTICE: The machine is to be used only for its prescribed purpose. Any other use is deemed to be a case of misuse.

HOLDING THE BRUSH CUTTER (FIG. 7)

⚠ WARNING: Dress properly to reduce the risk of injury when operating this machine. Do not wear loose clothing or jewelry. Wear eye and ear/hearing protectors. Wear heavy, long pants, boots and gloves. Do not wear short pants or sandals or go barefoot.

Hold the brush cutter with both hands on the right side of your body. Keep a firm grip with both hands while operating the machine. The blade or the trimmer head should be parallel to the ground at a proper cutting distance without the need for the operator to bend over.



USING THE BRUSH CUTTER

To cut wild growth and scrub, lower the rotating blade down onto the ground to achieve a chopping effect. Use the brush cutter like a scythe (sweep it to the right and left) at ground level. Do not use the cutting attachment above waist height.

⚠ WARNING: The higher the cutting attachment is off the ground, the greater the risk of injury from cuttings being thrown sideways.

⚠ WARNING: When cutting young stands or other woody materials up to 3/4 in (2 cm) in diameter, use the left side of the blade to avoid blade thrust situations. Do not attempt to cut woody material with a larger diameter, since the blade may catch or jerk the brush cutter forward. This may cause damage to the blade or the brush cutter or loss of control of the brush cutter, resulting in personal injury.

⚠ WARNING: Thrown parts may seriously injure the operator or bystander. To reduce the risk of personal injury, it is essential to take the following precautions:

- Avoid contact with hard or solid foreign objects such as stones, rocks, or pieces of metal.
- Never cut wood or shrubs with a stem diameter of more than 3/4 in (2 cm).

- Inspect the blade at a regular short interval for signs of damage. Do not continue working with a damaged blade.
- Have the blade resharpened regularly (when it has dulled noticeably) and balanced if necessary (should be performed by a qualified service technician).

BLADE THRUST

Exercise extreme caution when using this unit. Blade thrust is the reaction that may occur when the spinning blade contacts anything it cannot cut. This contact may cause the blade to stop for an instant and suddenly “thrust” the unit away from the object that was hit. This reaction can be violent enough to cause the operator to lose control of the unit. Blade thrust can occur without warning if the blade snags, stalls, or binds. This is more likely to occur in areas where it is difficult to see the material being cut. For cutting ease and safety, approach the weeds being cut with the brush cutter from the right to the left. In the event an unexpected object or woody stock is encountered, this practice could minimize the blade thrust reaction.

Before each use check for damaged/worn parts

Check the blade, guard, and bike handle and replace any parts that are cracked, warped, bent, or damaged in any way. The edge of the blade can dull over time. It is recommended that you turn over the blade to extend the life of the blade and periodically sharpen it (performed by a qualified service technician) or replace it with a new blade when necessary.

Clean the brush cutter after each use

See the MAINTENANCE section for cleaning instructions.

⚠ WARNING: Ensure the blade has come to a complete stop before cleaning or servicing the brush cutter. Failure to comply could result in possible serious personal injury.

Check for blockage of the 3-tooth blade

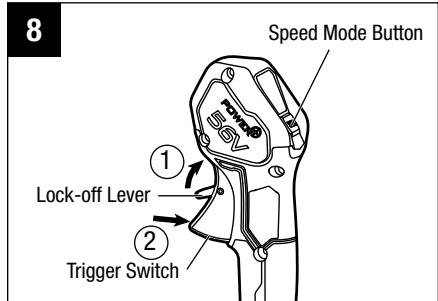
To prevent blockage, keep the blade clean. Remove grass clippings, leaves, dirt and any other accumulated debris before and after each use. When blockage happens, stop the brush cutter and remove the battery. Then remove any grass that may have wrapped itself around the motor shaft or the blade.

STARTING/STOPPING THE MACHINE

⚠ WARNING: Dress properly to reduce the risk of injury when operating this machine. Do not wear loose clothing or jewelry. Wear eye and ear/hearing protection. Wear heavy duty, long trousers, boots and gloves. Do not wear short trousers, sandals or go barefoot.

To start the machine (Fig. 8)

1. Move the lock-off lever up until it completely fits into the groove, hold it in that position and then press the trigger switch to start.
2. The rotational speed of the cutting unit is controlled by the trigger switch. More pressure on the trigger results in higher speed; less pressure on the trigger results in lower speed. Adjust the speed to suit the task at hand.



NOTICE: The motor starts only when the lock-off lever is moved into the groove and the trigger switch is depressed at the same time.

To stop the machine

Move the machine away from the cutting area and release the trigger switch to stop it.

⚠ WARNING: Always remove the battery pack from the machine during work breaks and after finishing work.

CHANGING SPEED MODE (FIG. 9)

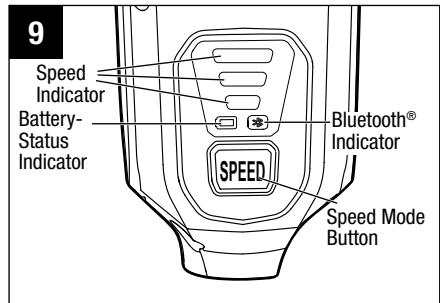
This machine features three speed modes.

The speed mode will change with every press of the speed mode button.

The speed indicator will display the active speed mode: one light for low speed, two lights for medium speed, three lights for high speed. The low speed mode provides better control of the machine and longer operating time per charge.










NOTE: The speed mode can be set before the machine is turned on OR during operation.

When the machine is re-started after a break, the speed mode will return to the previous speed.



BATTERY-STATUS INDICATOR AND SPEED INDICATOR (FIG. 9)

The battery-status indicator shows the charge level and the working status of the battery pack, and the speed indicator shows the working status of the machine as shown in the chart below. The battery-status indicator and the speed indicator will illuminate when the machine is started.

Indicator Lights		Meaning
Battery-status indicator	Solid green	 Battery charge level of 20% to 100%
	Flashing green	 Battery charge level of 10% to 20%
	Solid red	 Battery charge level of less than 10%
	Flashing red	 The battery pack charge is nearly depleted and needs to be charged immediately.
	Solid orange	 The battery pack is overheated. Cool the battery pack until the temperature drops below 152°F (67°C). See "Battery High-Temperature Protection" below.
	Flashing red/green alternately	 The battery pack electronics error. Replace the battery pack or contact EGO customer service center. See "Battery Electronics Error Protection".
Speed indicator (the illustration shows the high speed)	Solid green	 The machine is working properly.
	Solid orange	 The machine is overheated. Cool the machine until the temperature drops below 176°F (80°C). See "Machine High-Temperature Protection" below.
	Flashing orange	 The machine is overloaded. See "Machine Overload Protection" below.

Battery High-Temperature Protection

If the battery temperature exceeds 158°F (70°C) during operation, the temperature-protection circuit will immediately shut off the machine to protect the battery pack from overheating damage. The battery-status indicator will glow solid orange. Release the trigger and wait until the overheated battery cools down and the indicator turns green, then restart the machine.

Battery Electronics Error Protection

When the battery pack electronics error occurs, the battery-status indicator will flash red/green alternately and the machine will shut off in 3 seconds. Replace the battery pack or contact EGO customer service center.

Machine Overload Protection


This machine features a built-in overload circuit protection. When the machine is overloaded, the motor will stop and the battery-status indicator will flash orange. Remove the battery pack from the machine, then reattach the battery pack and restart the machine. Decrease the load on the machine, avoid too long or cutting of the heavy/woody shrubs, or oversize cutting line (when the machine is used as a string trimmer).

Machine High-Temperature Protection

If the machine temperature exceeds 194°F (90°C) during operation, the temperature-protection circuit will immediately shut off the machine to prevent overheating damage. The speed indicator will glow solid orange. Release the trigger and wait until the overheated machine cools down and the speed indicator turns green, then restart the machine.

Bluetooth® wireless technology

Products with built-in Bluetooth® wireless technology can connect to mobile devices using EGO apps. Please visit www.egopowerplus.com/commercial for instructions on how to connect your machine to EGO apps.

The Bluetooth® symbol  lights up when the machine is connected to your mobile device.

Tips for best brush-cutting

- Always hold the brush cutter on your right side with both hands when operating. Use a firm grip on both handles.
- Maintain your grip and balance on both feet. Position yourself so that you will not be drawn off balance by the kickback reaction of the cutting blade.
- Inspect and clear the area of any hidden objects such as glass, rocks, concrete, fencing, wire, wood, metal, etc., which can be thrown or entangled in the blade.
- Never use blades near sidewalks, fencing, posts, buildings or other immovable objects.
- Never use a blade after hitting a hard object without first inspecting it for damage. Do not use if any damage is detected.
- Use the unit for cutting from the right to the left in a broad sweeping action from side to side.
- Use only the EGO™ blade. Using any other brand blade with this brush cutter could result in serious personal injury.

CONVERTING THE MACHINE TO A STRING TRIMMER

This brush cutter can be converted into a string trimmer using the EGO kit AH3810 (Sold Separately). The required steps are:

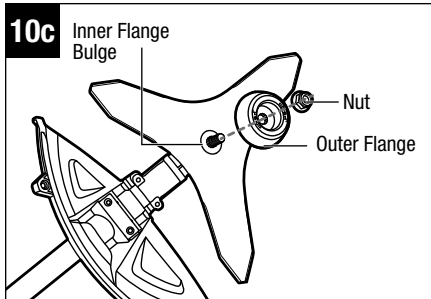
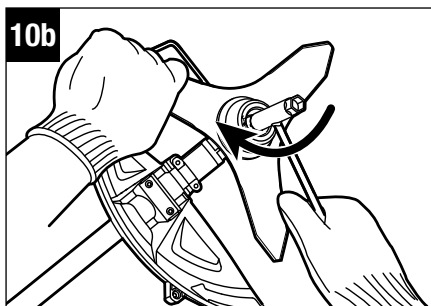
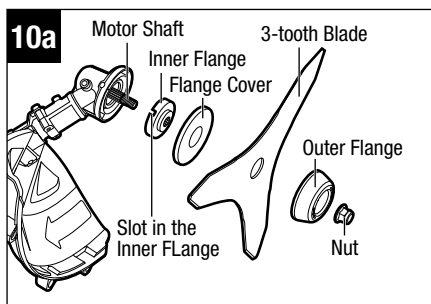
- Replacement of the metal blade with a string trimmer head.
- Replacement of the brush cutter guard with the string trimmer guard.

REPLACE THE 3-TOOTH BLADE WITH THE STRING TRIMMER HEAD (EGO KIT AH3810, SOLD SEPARATELY)

Familiarize yourself with the cutter head by referring to Fig. 10a.

Follow the steps below to remove the 3-tooth blade and mount the trimmer head.

1. Disconnect the battery pack.
2. Rotate the outer flange to align the slot in the inner flange with the shaft-locking hole in the gear case and insert the included hex key into the aligned holes to act as a stabilizer.
3. Wear gloves. Position the gear case against a solid surface for support. Use one hand to grasp the blade and the other hand to loosen the nut in the direction of the arrow marked on the outer flange, using the included multi-function wrench. Remove the 3-tooth blade, nut and the outer flange and save them for reassembly (Fig. 10b & 10c).

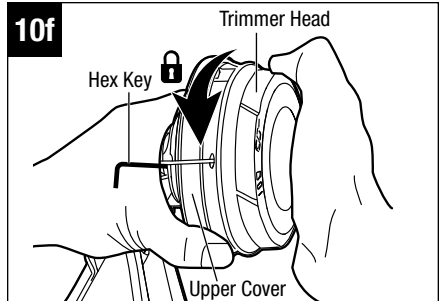
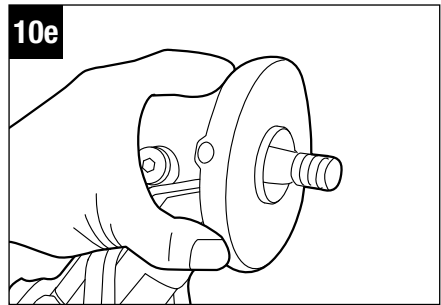
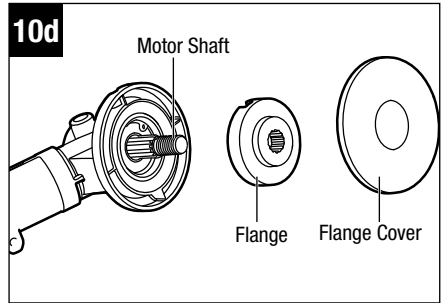


4. Before mounting the trimmer head, make sure that the inner flange and flange cover are located correctly on the motor shaft as shown in (Fig. 10d & 10e).

5. Align the drive shaft with the screw hole of trimmer head, and then pre-tighten the trimmer head onto the shaft **COUNTERCLOCKWISE**.

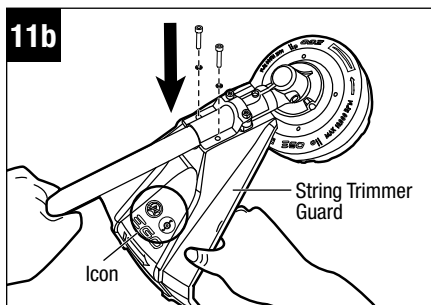
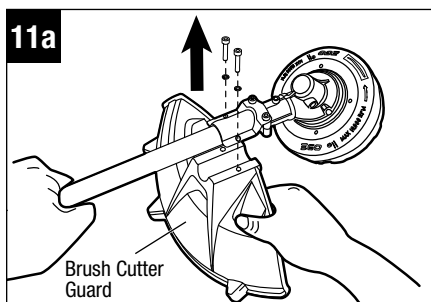
6. Rotate the trimmer head to align the slot in the flange with the shaft-locking hole in the gear case and insert the provided hex key into the aligned holes to act as a stabilizer.

7. Wear gloves. Securely tighten the trimmer head onto the shaft **COUNTERCLOCKWISE** (Fig. 10f).



REPLACE THE BRUSH CUTTER GUARD WITH THE STRING TRIMMER GUARD

1. Remove the brush cutter guard by loosening the two bolts. Then remove the bolts, washers, and guard (Fig. 11a). Keep the guard in a safe place for future use.
2. Lift the string trimmer head and face it downward. Align the two mounting holes in the guard with the two assembly holes in the base of the shaft. Make sure that the internal surface of the guard faces towards the string trimmer head (Fig. 11b).
3. Install the strimmer guard included in the EGO kit AH3810 with the two bolts and washers from the brush cutter (Fig. 11b).
4. Use the supplied hex key to tighten the bolts.



USING WITH TRIMMER HEAD (EGO KIT AH3810, SOLD SEPARATELY)

⚠ WARNING: To avoid serious personal injury, wear goggles or safety glasses at all times when operating this unit. Wear a face mask or dust mask in dusty locations.

Clear the area to be cut before each use. Remove all objects, such as rocks, broken glass, nails, wire, or string that can be thrown or become entangled in the cutting attachment. Clear the area of children, bystanders, and pets. At a minimum, keep all children, bystanders and pets at least 50 feet (15 m) away; there still may be risk to bystanders from thrown objects. Bystanders should be encouraged to wear eye protection. If you are approached, stop the machine immediately.

⚠ WARNING: To prevent serious personal injury, remove the battery pack from the machine before servicing, cleaning, changing attachments or removing material from the unit.

The line-cutting blade on the guard can dull over time. It is recommended that you periodically sharpen it with a file or replace it with a new blade.

⚠ WARNING: Always wear gloves when mounting or replacing the guard or when sharpening or replacing the line-cutting blade. Note the location of the line-cutting blade on the guard and protect your hand from injury.

⚠ WARNING: Never use water to clean your trimmer. Avoid using solvents when cleaning plastic parts. Most plastics are susceptible to damage from various types of commercial solvents. Use clean clothes to remove dirt, dust, oil, grease, etc.

ADJUSTING THE CUTTING LINE LENGTH

The trimmer head allows the operator to release more cutting line without stopping the motor. As line becomes frayed or worn, additional line can be released by lightly tapping the trimmer head on the ground while operating the trimmer.

⚠ WARNING: Do not remove or alter the line-cutting blade assembly. Excessive line length will cause the motor to overheat and may result in serious personal injury.

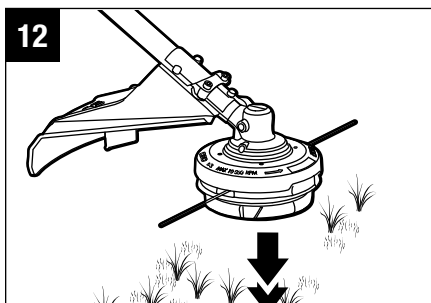
Tips for best trimming results

The correct angle for the cutting attachment is parallel to the ground.

- Do not force the trimmer. Allow the very tip of the line to do the cutting (especially along walls). Cutting with more than the tip will reduce cutting efficiency and may overload the motor.
- The cutting height is determined by the distance of the cutting line from the lawn surface.
- Grass over 8 inches (20 cm) should be cut by working from top to the bottom in small increments to avoid premature line wear or motor drag.
- Slowly move the trimmer into and out of the area being cut, maintaining the cutting head position at the desired cutting height. This movement can be either a forward-backward motion or a side-to-side motion. Cutting shorter lengths produces best results.
- Avoid trimming when grass and weeds are wet.
- Wire and picket fences can cause extra string wear or breakage. Stone and brick walls, curbs, and wood may wear strings rapidly.
- Avoid trees and shrubs. Tree bark, wood moldings, siding, and fence posts can easily be damaged by the strings.

LINE REPLACEMENT

Please refer to the “LINE REPLACEMENT” section in the manual for EGO kit AH3810 (SOLD SEPARATELY).



MAINTENANCE

⚠ WARNING: When servicing, use only identical replacement parts. Use of any other parts may create a hazard or cause product damage. To ensure safety and reliability, all repairs should be performed by a qualified service technician.

⚠ WARNING: Battery-powered machines do not have to be plugged into an electrical outlet; therefore, they are always in operating condition. To prevent serious personal injury, take extra precautions and care when performing maintenance, service, or changing the cutting accessories or attachments.

⚠ WARNING: To prevent serious personal injury, remove the battery pack from the machine before servicing, cleaning, or removing material from the unit. All brush cutter services, other than the items listed in these maintenance instructions, should be performed by competent brush cutter service personnel.

GENERAL MAINTENANCE

Avoid using solvents when cleaning plastic parts. Most plastics are susceptible to damage from various types of commercial solvents and may be damaged by their use. Use a clean cloth to remove dirt, dust, oil, grease, etc.

⚠ WARNING: When cleaning the machine, DO NOT immerse it in water or other liquids.

CLEANING

- Remove the battery pack.
- After each use, clean the debris, clogged soil, grass on the blade or the guard, or the grass that may have wrapped itself around the motor shaft or trimmer head with a soft brush.
- Wipe the machine surface with a clean cloth moistened with a mild soap solution.
- Use a small brush or a vacuum cleaner to clean the air vents on the rear housing. Keep the air vents free of obstructions.
- Do not use any strong detergents on the plastic housing or the handle. They can be damaged by certain aromatic oils, such as pine and lemon, and by solvents such as kerosene. Moisture can also cause an electric shock hazard. Wipe off any moisture with a soft dry cloth.

When the blade becomes dull or both edges of the blade are dull, please have it sharpened by a qualified service technician or replace it with a new one if necessary.

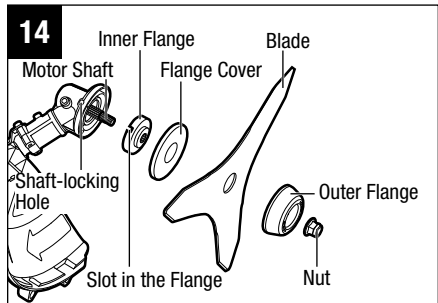
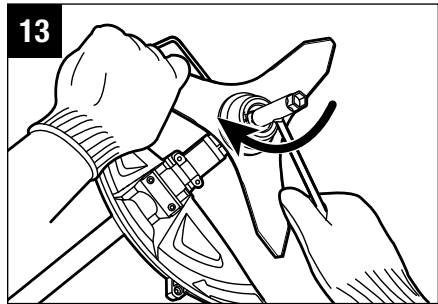
REPLACING THE BLADE

⚠ WARNING: A worn, cracked, or damaged blade can break and pieces of the damaged blade can become dangerous projectiles. Thrown objects can cause serious injury. Inspect the blade regularly and do not operate the brush cutter with a worn or damaged blade.

⚠ WARNING: Use proper eye protection while removing, sharpening, and installing the blade.

To remove the blade

1. Remove the battery pack.
2. Rotate the outer flange to align the slot in the inner flange with the shaft-locking hole in the gear case and insert the included hex key into the aligned holes to act as a stabilizer described in steps 2 and 3 in **“MOUNTING THE BLADE”** section.
3. Position the gear case against a solid surface for support. Use one hand to grasp the blade and the other hand to loosen the nut in the direction of the arrow marked on the outer flange, using the included multi-function wrench. Remove the nut and the outer flange and save them for reassembly (Fig.13).



4. Check and replace the inner flange and the flange cover if they are worn.
5. Install the new blade onto the motor shaft in the order shown in Fig. 14. For instructions, follow steps 5 – 7 in **“MOUNTING THE BLADE”** section.

LUBRICATING THE DRIVE GEAR

For best operation and longer lifetime, lubricate the brush cutter drive gear with a special grease as described below after every 50 hours of operation.

There are two sealing screws: one on the gear case (Fig. 15a) and the other on the power head (Fig. 15 b).

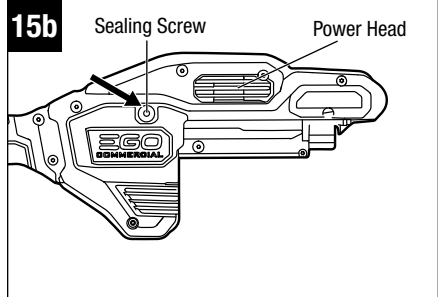
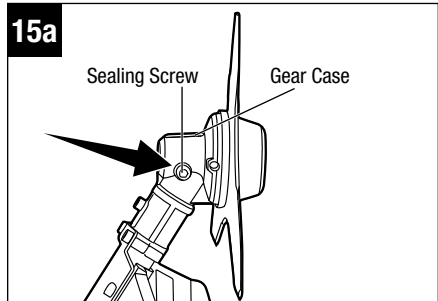
Remove them with the provided hex key and follow the steps below to apply up to 0.169 oz (5 ml) of grease into the oil hole (Fig. 15).

DO NOT FULLY FILL THE GEAR CASE WITH THE GREASE.

1. Lay the brush cutter on its side so that the sealing screw to be removed is facing upwards (Fig. 15a & 15b).
2. Use the included hex key to loosen and remove the sealing screw.
3. Use a grease gun (not included) to inject some grease into the oil hole; do not exceed 3/4 capacity.
4. Tighten the sealing screw(s) after injection.

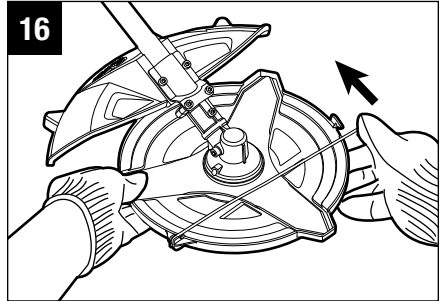
The grease should meet the following requirements:

- NLGI Grade Penetration: NLGI-1
- Thickener Type: Ester
- Recommended Operating Temperature Range: -40°F to 356°F (-40°C to 180°C)
- Other than above, the grease should also have excellent low-temperature startup, EP, mechanical shearing, abrasion resistance and oxidative stability properties.



TRANSPORTING AND STORING

- If the 3-tooth blade is installed, always place its sheath on the blade before storing or transporting the machine. Use caution to avoid the sharp teeth of the blade (Fig. 16).
- Clean the machine thoroughly before storing.
- Store the machine indoors, in a dry place that is inaccessible to children.
- Keep away from corrosive agents such as garden chemicals and deicing salts.



TROUBLESHOOTING

PROBLEM	CAUSE	SOLUTION
Machine will not start or stop working	<ul style="list-style-type: none"> ■ The battery pack is not attached to the machine. ■ No electrical contact between the machine and the battery pack. ■ The battery pack charge is depleted. ■ The lock-off lever and trigger switch are not depressed simultaneously. ■ The battery is too hot. See the chapter "Battery High-Temperature Protection". ■ The brush cutter is too hot. See the chapter "Machine High-Temperature Protection". ■ The motor is overloaded. See the chapter "Machine Overload Protection". 	<ul style="list-style-type: none"> ■ Attach the battery pack to the machine. ■ Remove battery, check contacts and reinstall the battery pack until it snaps into place. ■ Charge the battery pack. ■ Move the lock-off lever up and press the trigger switch at the same time. ■ Remove the battery pack and cool the battery pack until the temperature drops below 152°F (67°C). ■ Remove the battery pack and cool the brush cutter until the temperature drops below 176 °F (80 °C). ■ The motor will recover when the load is removed. For continuous work, decrease the load on the brush cutter, and avoid cutting heavy/woody shrubs, or oversize cutting line (when the machine is used as a string trimmer).
Excessive vibration noise.	<ul style="list-style-type: none"> ■ The grease in the gear case is nearly run out. 	<ul style="list-style-type: none"> ■ Lubricate the drive gears in the gear case, refer to "LUBRICATING THE DRIVE GEAR" section in this manual.

PROBLEM	CAUSE	SOLUTION
<p>When trimming, the trimmer head will not advance line.</p>	<ul style="list-style-type: none"> ■ The motor shaft or trimmer head is bound with grass. ■ There is not enough line on the spool. ■ Line is tangled in the trimmer head. ■ The line is too short. 	<ul style="list-style-type: none"> ■ Stop the machine, remove the battery and clean the motor shaft or the trimmer head thoroughly. ■ Remove the battery and replace the new cutting line, follow the section “LINE REPLACEMENT” in manual for EGO kit AH3810. ■ Remove the battery, reload the cutting line, follow the section “LINE REPLACEMENT” in manual for EGO kit AH3810. ■ Remove the battery and pull the lines while alternately pressing down on and releasing the bump head.
<p>When trimming, grass wraps around trimmer head.</p>	<ul style="list-style-type: none"> ■ Cutting tall grass at ground level. 	<ul style="list-style-type: none"> ■ Cut tall grass from the top down, removing no more than 8 inches (20 cm) in each pass to prevent wrapping.
<p>When trimming, the line-cutting blade on the guard cannot cut the line</p>	<ul style="list-style-type: none"> ■ The line-cutting blade has become dull. 	<ul style="list-style-type: none"> ■ Sharpen the line-cutting blade with a file or replace it with a new blade.



EGO LIMITED WARRANTY

WARRANTY POLICY TERMS AND DURATION

Chervon North America, Inc. (“Chervon North America”) provides the following Limited Warranty for EGO products to the original purchaser of EGO products.

The detailed warranty period for each EGO product can be found online at <http://egopowerplus.com/warranty-policy>.

Please contact EGO Customer Service Toll-Free at 1-855-EGO-5656 any time you have questions or warranty claims or would like a hard copy of the warranty.

LIMITED SERVICE WARRANTY

EGO products are warranted against defects in material or workmanship from the date of original retail purchase for the applicable warranty period. For any properly and timely submitted warranty claim, if Chervon North America determines a product to be defective during the warranty period, the product will receive free repair or replacement as determined by Chervon North America.

HOW TO OBTAIN SERVICE

For warranty service, within the applicable warranty period, please contact EGO customer service toll-free at **1-855-EGO-5656**. When requesting warranty service, you must present the original dated sales receipt. An authorized service center will be selected to evaluate and repair the product if defective according to the stated warranty terms. When bringing your product to the authorized service center, there may be a small deposit that will be required when dropping off your tool. This deposit is refundable when the repair service is deemed to be covered under warranty.

ADDITIONAL LIMITATIONS & EXCLUSIONS

This limited warranty applies only to the original purchaser from an authorized EGO retailer and is not transferable. EGO products shall not be considered defective, and this warranty will not apply, where the claimed defect is attributable to any cause other than the above-defined defects. This warranty shall be void if the product has been used for rental purposes. This warranty shall not apply to damage caused by accident, abuse, misuse, alteration, modification, unauthorized repair, liquid contact, fire, earthquake or other external cause; operating the product outside EGO’s instructions, specifications



or guidelines; or failure to properly service of maintain the product. This warranty also does not apply to cosmetic damage, including but not limited to scratches or dents; defects caused by normal wear and tear or otherwise due to the normal aging of the product.

THIS EXPRESS WARRANTY IS GIVEN IN LIEU OF ALL OTHER WARRANTIES, EXPRESS OR IMPLIED, INCLUDING, BUT NOT LIMITED TO, ANY WARRANTIES OF MERCHANTABILITY OR FITNESS FOR PARTICULAR PURPOSE OR USE, WHICH ARE DISCLAIMED. Any implied warranties, including warranties of merchantability or fitness for a particular purpose, that cannot be disclaimed under state law are limited to the applicable warranty period defined at the beginning of this article. The sole and exclusive remedy in connection with the purchase, installation, use, and/or performance of the EGO products is repair or replacement of the product as determined by Chervon North America. Chervon North America's maximum liability shall not in any case exceed the purchase price paid for the product. CHERVON NORTH AMERICA SHALL NOT BE LIABLE TO THE USER OR TO ANYONE ELSE FOR CONSEQUENTIAL, INCIDENTAL, SPECIAL, EXEMPLARY, INDIRECT, OR PUNITIVE DAMAGES ARISING FROM USE OF THE PRODUCTS, INCLUDING BUT NOT LIMITED TO PERSONAL INJURY, DEATH, PROPERTY DAMAGE, LOST PROFITS, OR OTHER ECONOMIC INJURY. This warranty gives you specific legal rights, and you may also have other rights which vary from state to state. Some states do not allow limitations on how long an implied warranty lasts, the exclusion or limitation of incidental or consequential damages, or the limitations on time to bring certain actions, so such limitations contained herein do not apply to individual consumers in those states.

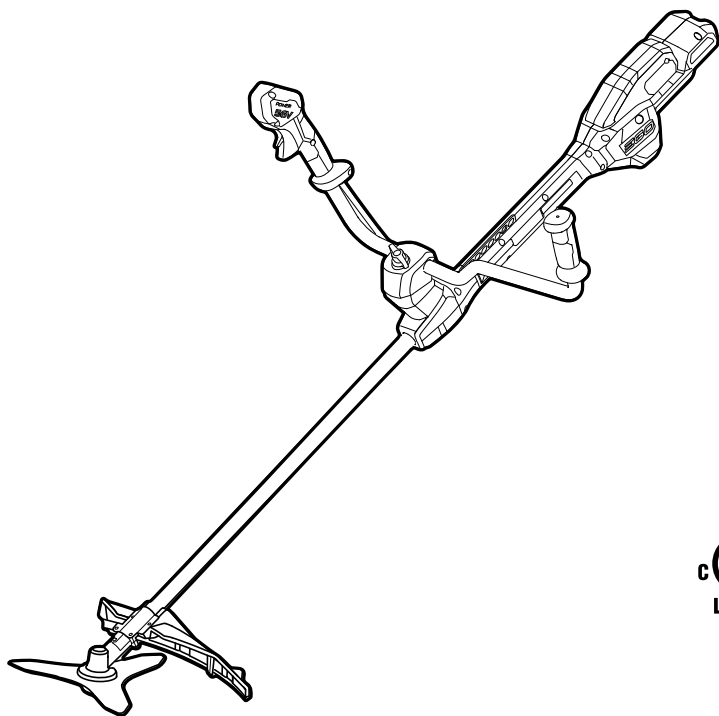
This warranty is subject to and shall be interpreted according to Michigan law without regard to principles of conflicts of laws. No legal action shall be brought against Chervon North America unless filed within one (1) year after the basis for such legal action becomes known, or with the exercise of reasonable diligence should have become known. Any action not timely filed shall be deemed waived.

For customer service contact us toll-free at: **1-855-EGO-5656** or **EGOPOWERPLUS.COM**.

EGO Customer Service
769 Seward Ave. NW, Suite 102
Grand Rapids, Michigan 49504.

EGO™

COMMERCIAL



GUIDE D'UTILISATION

DÉBROUSSAILLEUSE COMMERCIALE AU LITHIUM-ION DE 56 V, 12 PO

NUMÉRO DE MODÈLE BCX4500/BCX4500-FC

⚠ AVERTISSEMENT : Afin de réduire les risques de blessure, l'utilisateur doit lire et comprendre le guide d'utilisation avant d'utiliser ce produit. Conservez le présent guide afin de pouvoir le consulter ultérieurement.

TABLE DES MATIÈRES

Déclaration de conformité FCC	49
Symboles relatifs à la sécurité	50
Consignes de sécurité	51-61
Introduction	62
Spécifications	63
Liste des pièces	64
Description	65-66
Assemblage	67-73
Fonctionnement	74-88
Maintenance	89-93
Recherche de la cause des problèmes	94-95
Garantie	96-98

DÉCLARATION DE CONFORMITÉ FCC

1. Ce dispositif est conforme à la Partie 15 des Règlements de la FCC. Son utilisation est autorisée moyennant le respect des deux conditions suivantes :
 - 1) Ce dispositif ne doit pas causer d'interférences préjudiciables.
 - 2) Ce dispositif doit accepter toute interférence reçue, y compris les interférences qui risquent de causer un fonctionnement indésirable de l'équipement.
2. Toute modification ou altération de ce dispositif n'ayant pas été approuvée expressément par la partie responsable de la conformité pourrait annuler le droit de l'utilisateur de se servir de cet équipement.

AVIS : Ce luminaire a été testé et jugé conforme aux limites pour un équipement numérique de Classe B en vertu de la Partie 15 des Règlements de la FCC. Ces limites sont conçues pour assurer une protection raisonnable contre les interférences nuisibles dans une installation résidentielle. Cet équipement émet, utilise et peut rayonner de l'énergie de fréquence radio et, s'il n'est pas installé et utilisé conformément aux instructions, il pourrait causer des interférences nuisibles aux communications radio. Cependant, il n'existe aucune garantie qu'aucune interférence ne se produira dans une installation particulière. Si cet équipement cause des interférences nuisibles pour la réception de programmes à la radio ou à la télévision, ce qui peut être déterminé en allumant et en éteignant à plusieurs reprises l'équipement en question, l'utilisateur est encouragé à corriger l'interférence en prenant une ou plusieurs des mesures suivantes : Réorienter ou déplacer l'antenne de réception. Augmenter la distance entre l'équipement et le récepteur. Connecter l'équipement à une prise de courant raccordée à un circuit différent de celui auquel le récepteur est connecté. Consulter le détaillant ou un technicien radio ou télévision expérimenté pour lui demander conseil.

SYMBOLES RELATIFS À LA SÉCURITÉ

La raison d'être des symboles relatifs à la sécurité est d'attirer votre attention sur des dangers possibles. Il est important de vous familiariser avec les symboles relatifs à la sécurité et les explications qui les accompagnent afin de bien les comprendre. Les avertissements et les symboles associés ne suffisent pas à éliminer tous les dangers. Les instructions et les avertissements qu'ils donnent ne sauraient remplacer des mesures de prévention des accidents appropriées.

⚠ AVERTISSEMENT : Lisez toutes les consignes de sécurité qui sont contenue dans ce Mode d'emploi, y compris tous les symboles d'alerte relatifs à la sécurité tels que « **DANGER** », « **AVERTISSEMENT** » et « **MISE EN GARDE** », et assurez-vous que vous les comprenez bien avant de commencer à utiliser cet outil. La non-observation de toutes les instructions figurant ci-après pourrait causer un choc électrique, un incendie et/ou des blessures personnelles graves.

SIGNIFICATION DES SYMBOLES



⚠ SYMBOLE D'ALERTE DE SÉCURITÉ : Indique **DANGER**, **AVERTISSEMENT** OU **MISE EN GARDE**. Peut être utilisé en conjonction avec d'autres symboles ou pictogrammes.

⚠ AVERTISSEMENT ! Pendant leur fonctionnement, les outils électriques peuvent projeter des corps étrangers dans les yeux de leur utilisateur et lui infliger de graves blessures aux yeux. Portez toujours des lunettes de protection ou des lunettes de sécurité à écrans latéraux et un masque couvrant tout le visage si besoin est avant de commencer à utiliser cet outil électrique. Nous recommandons de porter un masque de sécurité à vision latérale large au-dessus des lunettes ordinaires ou des lunettes de sécurité standard avec des écrans de protection sur les côtés. Utilisez toujours un équipement de protection des yeux indiquant qu'il est conforme à la norme ANSI Z87.1.

CONSIGNES DE SÉCURITÉ

Cette page représente et décrit les symboles de sécurité qui peuvent figurer sur ce produit. Lisez attentivement et suivez toutes les instructions figurant sur la machine avant de l'assembler et de commencer à l'utiliser.

	Alerte de sécurité	Indique un risque de blessure.
	Lisez le mode d'emploi, et assurez-vous que vous le comprenez.	Pour réduire le risque de blessure, l'utilisateur doit lire et comprendre le mode d'emploi avant d'utiliser ce produit.
	Portez toujours des lunettes de sécurité.	Portez toujours des lunettes de protection ou des lunettes de sécurité à écrans latéraux et un masque couvrant tout le visage lors de l'utilisation de ce produit.
	Portez des protecteurs d'oreilles.	Portez toujours un dispositif de protection des oreilles (protège-oreilles ou bouchons d'oreilles) pour protéger votre ouïe.
	Portez un casque.	Portez un casque dur de sécurité agréé pour protéger votre tête.
	Portez des gants pour protéger les mains.	Protégez vos mains avec des gants lorsque vous touchez la débroussailleuse et sa lame. Des gants épais et antidérapants améliorent votre préhension et protègent vos mains.
	Portez des chaussures antidérapantes.	Portez des chaussures de sécurité antidérapantes lorsque vous utilisez cet équipement.
	Faites attention aux objets projetés.	Des objets projetés peuvent rebondir et causer des blessures ou des dommages matériels.

	<p>La distance entre la machine et les personnes présentes doit être d'au moins 15 m / 50 pi.</p>	<p>Assurez-vous que les autres personnes et les animaux de compagnie restent à au moins 15 mètres / 50 pi de la débroussailleuse pendant qu'elle est en train de fonctionner.</p>
	<p>Méfiez-vous car un rebond de la lame est toujours possible.</p>	<p>Avertissez l'opérateur du risque de rebond de la lame.</p>
	<p>Débranchez la pile avant toute opération d'entretien.</p>	<p>Alerte l'utilisateur pour qu'il débranche la pile avant toute opération d'entretien.</p>
	<p>Symbole de recyclage</p>	<p>Ce produit utilise des piles au lithium-ion (Li-ion). Les lois et règlements locaux, provinciaux et fédéraux interdisent peut-être de jeter des piles au lithium-ion dans les ordures ordinaires. Consultez votre service municipal responsable de la gestion des déchets pour déterminer quelles sont les options de recyclage et/ou d'élimination possibles.</p>
	<p>Bluetooth®</p>	<p>Symbole Bluetooth®</p>
<p>IPX5</p>	<p>Indice de protection</p>	<p>Protection contre les projections d'eau.</p>
<p>V</p>	<p>Volts</p>	<p>Tension</p>
	<p>Courant continu (c.c.)</p>	<p>Type ou caractéristique du courant</p>
<p>n_0</p>	<p>Vitesse maximale</p>	<p>Vitesse de rotation maximum</p>
<p>RPM</p>	<p>Tours/minute</p>	<p>Vitesse de rotation</p>
<p>cm</p>	<p>Centimètre</p>	<p>Longueur ou la taille</p>
<p>mm</p>	<p>Millimètre</p>	<p>Longueur ou la taille</p>
<p>in.</p>	<p>Pouce</p>	<p>Longueur ou la taille</p>
<p>Ft.</p>	<p>Pieds</p>	<p>Longueur ou la taille</p>
<p>kg</p>	<p>Kilogramme</p>	<p>Poids</p>
<p>lb.</p>	<p>Livre</p>	<p>Poids</p>
<p>°C</p>	<p>Degrés Celsius</p>	<p>Température</p>
<p>°F</p>	<p>Degrés Fahrenheit</p>	<p>Température</p>

AVERTISSEMENTS GÉNÉRAUX RELATIFS À LA SÉCURITÉ POUR LES OUTILS ÉLECTRIQUES À PILES

⚠ AVERTISSEMENT : Lisez tous les avertissements relatifs à la sécurité, ainsi que toutes les instructions, les illustrations et les spécifications fournies avec cet outil électrique. Le non-respect de toutes les instructions figurant ci-après pourrait causer un choc électrique, un incendie et/ou des blessures graves.

CONSERVEZ TOUS LES AVERTISSEMENTS ET TOUTES LES INSTRUCTIONS POUR RÉFÉRENCE FUTURE.

Le terme « machine » dans les avertissements fait référence à votre machine à cordon électrique branché dans une prise secteur ou à votre machine à piles (sans fil).

SÉCURITÉ DE LA ZONE DE TRAVAIL

- **Gardez votre zone de travail propre et bien éclairée.** Des zones encombrées ou sombres sont propices aux accidents.
- **N'utilisez pas des outils électriques dans une atmosphère explosive, par exemple en présence de liquides, de gaz ou de poussières inflammables.** Les outils électriques produisent des étincelles qui risquent de mettre feu aux poussières ou émanations de fumée.
- **Gardez les enfants et autres personnes présentes à une distance suffisante lorsque vous utilisez un outil électrique.** Des distractions risqueraient de vous faire perdre le contrôle.

Sécurité électrique

- **Les fiches de la machine doivent correspondre à la prise de courant. Ne modifiez jamais la fiche de quelque façon que ce soit. N'utilisez pas d'adaptateurs de fiches avec des machines mises à la terre (à la masse).** L'emploi de fiches non modifiées et de prises de courant correspondant naturellement aux fiches réduira le risque de choc électrique.
- **Évitez tout contact de votre corps avec des surfaces mises à la terre ou à la masse, telles que des surfaces de tuyaux, de radiateurs, de cuisinières et de réfrigérateurs.** Il existe un risque accru de choc électrique si votre corps est en contact avec la terre ou la masse.
- **N'exposez pas la machine à la pluie ou à un environnement humide.** La pénétration d'eau dans la machine peut augmenter le risque de choc électrique ou de dysfonctionnement pouvant entraîner des blessures corporelles.

- **N'utilisez pas le cordon de façon abusive. N'utilisez pas le cordon pour porter, tirer ou débrancher l'outil électrique. Tenez le cordon à distance de toute source de chaleur, d'huile, de bords tranchants ou de pièces mobiles.** Des cordons endommagés ou entortillés augmentent le risque de choc électrique.
- **Lorsque vous utilisez un outil électrique à l'extérieur, employez un cordon de rallonge approprié pour un emploi à l'extérieur.** L'utilisation d'un cordon approprié pour une utilisation à l'extérieur réduit le risque de choc électrique.
- **S'il est inévitable d'utiliser un outil électrique dans un environnement humide, utilisez une alimentation protégée par un disjoncteur avec circuit de fuite à la terre (GFCI).** L'utilisation d'un circuit GFCI réduit le risque de choc électrique.

SÉCURITÉ PERSONNELLE

- **Faites preuve de vigilance et de bon sens, et observez attentivement ce que vous faites lorsque vous utilisez un outil électrique. N'utilisez pas un outil électrique si vous êtes fatigué(e) ou sous l'influence de drogues, d'alcool ou de médicaments.** Un simple moment d'inattention pendant que vous utilisez un outil électrique pourrait causer une blessure grave.
- **Utilisez des équipements de protection personnelle.** Portez toujours des équipements de protection des yeux. Des équipements de protection tels qu'un masque de protection contre la poussière, des chaussures de sécurité antidérapantes, un casque ou un dispositif de protection de l'ouïe utilisés en fonction des conditions réduiront le nombre des blessures.
- **Prévenez une mise en marche accidentelle. Assurez-vous que l'interrupteur est dans la position d'arrêt avant de connecter cet outil à une source d'alimentation et/ou à un bloc-piles, de le soulever ou de le transporter.** Le fait de transporter des outils électriques avec le doigt sur l'interrupteur ou de mettre sous tension des outils électriques avec l'interrupteur en position de marche invite les accidents.
- **Retirez toute clé de réglage pouvant être attachée à l'outil avant de mettre l'outil électrique sous tension.** Une clé laissée attachée à une pièce en mouvement de l'outil électrique pourrait causer une blessure.
- **Ne vous penchez pas excessivement au-dessus de cet équipement. Veillez à toujours garder un bon équilibre et un appui stable.** Ceci permet de mieux contrôler l'outil électrique dans des situations inattendues.

- **Portez des vêtements appropriés. Ne portez pas de bijoux ou de vêtements amples. Gardez vos cheveux et vos vêtements à une distance suffisante des pièces mobiles.** Les vêtements amples, bijoux ou cheveux longs pourraient être attrapés par des pièces mobiles.
- **Si des dispositifs sont fournis pour le raccordement d'accessoires d'extraction et de collecte de la poussière, assurez-vous qu'ils sont connectés et utilisés de façon appropriée.** L'emploi de dispositifs de collecte de la poussière peut réduire les dangers associés à la poussière.
- **Ne laissez pas la familiarité résultant de l'utilisation fréquente des outils vous inciter à devenir complaisant(e) et à ignorer les principes de sécurité des outils.** Une action négligente pourrait causer des blessures graves en une fraction de seconde.

Utilisation et entretien de la machine

- **Ne forcez pas cette machine. Utilisez la machine appropriée pour votre application.** La machine correcte fera le travail plus efficacement et avec plus de sécurité à la vitesse à laquelle elle a été conçue pour fonctionner.
- **N'utilisez pas la machine si l'interrupteur de marche/arrêt ne permet pas de la mettre sous tension/hors tension.** Un équipement qui ne peut pas être contrôlé par son interrupteur est dangereux et doit être réparé.
- **Débranchez la fiche de la prise secteur et/ou retirez le bloc-piles de l'équipement (s'il est amovible) avant d'y apporter de quelconques modifications, de changer d'accessoire ou de ranger la machine.** De telles mesures de sécurité préventives réduisent le risque de démarrage accidentel de la machine.
- **Rangez les machines qui ne sont pas utilisées activement hors de portée des enfants, et ne laissez aucune personne ne connaissant pas la machine ou n'ayant pas lu ces instructions utiliser la machine.** Les machines sont dangereuses quand elles sont entre les mains d'utilisateurs n'ayant pas reçu la formation nécessaire à leur utilisation.
- **Entretien des machines et des accessoires. Assurez-vous que les pièces en mouvement sont bien alignées et qu'elles ne se coincent pas, qu'il n'y a pas de pièces cassées ou qu'il n'existe aucune situation pouvant affecter le fonctionnement de la machine.** Si la machine est endommagée, faites-la réparer avant de vous en servir à nouveau. De nombreux accidents sont causés par des machines mal entretenues.

- **Gardez les machines de coupe tranchantes et propres.** Des machines de coupe entretenues de façon adéquate avec des bords de coupe tranchants sont moins susceptibles de se coincer et sont plus faciles à contrôler.
- **Utilisez la machine, les accessoires, les mèches de perçage de la machine, etc. conformément à ces instructions, en tenant compte des conditions de travail et de la tâche à accomplir.** L'utilisation de la machine pour des opérations différentes de celles pour lesquelles elle est conçue pourrait causer une situation dangereuse.
- **Gardez les poignées et les surfaces de préhension propres, sèches et exemptes de toute trace d'huile ou de graisse.** Les poignées et les surfaces de préhension glissantes ne permettent pas une manipulation et un contrôle sûrs de la machine dans des situations inattendues.

Utilisation et entretien de la machine électrique à pile

- **Ne rechargez cet équipement qu'avec le chargeur indiqué par le fabricant.** Un chargeur qui est approprié pour un type de bloc-piles pourrait créer un risque d'incendie quand il est utilisé avec un autre bloc-piles.
- **Utilisez votre outil exclusivement avec des blocs-piles conçus spécifiquement pour celui-ci.** L'emploi de tout autre bloc-piles risquerait de causer des blessures et un incendie.
- **Lorsque le bloc-piles n'est pas utilisé, gardez-le à une distance suffisante des autres objets en métal, comme des trombones, pièces de monnaie, clés, clous, vis ou autres petits objets en métal qui pourraient établir une connexion entre une borne et une autre.** Le court-circuitage des bornes d'une pile pourrait causer des brûlures ou un incendie.
- **Dans des conditions d'utilisation abusives, du liquide pourrait être éjecté de la pile; évitez tout contact avec ce liquide. En cas de contact accidentel, lavez avec de l'eau. En cas de contact de liquide avec les yeux, consultez un professionnel de santé.** Tout liquide éjecté d'une pile peut causer de l'irritation ou des brûlures.
- **N'utilisez pas un bloc-piles ou un outil qui est endommagé ou a été modifié.** Des piles endommagées ou modifiées peuvent se comporter de façon imprévisible et causer un incendie, une explosion ou des blessures.
- **N'exposez pas un bloc-piles ou un outil à un feu ou à une température excessive.** L'exposition à un feu ou à une température supérieure à 130° C / 265° F pourrait causer une explosion.

- **Suivez toutes les instructions relatives à la charge et ne chargez pas le bloc-piles ou l'outil en dehors de la plage de température indiquée dans les instructions.** Une charge dans des conditions appropriées ou à des températures en dehors de la plage spécifiée pourrait endommager la pile et augmenter le risque d'incendie.

SERVICE APRÈS-VENTE

- **Faites réparer votre machine par un réparateur compétent n'utilisant que des pièces de rechange identiques.** Ceci assurera le maintien de la sécurité de la machine.
- **Ne tentez jamais de réparer des blocs-piles endommagés.** La réparation de blocs-piles ne doit être effectuée que par le fabricant ou un prestataire de services agréé.

Avertissements de sécurité pour les taille-bordures et les débroussailleuses

- **N'utilisez pas la machine si le temps est mauvais, en particulier s'il existe un risque de foudre.** Ceci réduit le risque d'être frappé par la foudre.
- **Inspectez attentivement la zone dans laquelle la machine doit être utilisée.** Les animaux sauvages peuvent être blessés par la machine pendant son fonctionnement.
- **Inspectez minutieusement la zone où la machine doit être utilisée, et retirez tous les paillasons, traîneaux, planches, fils, os et autres corps étrangers.** La projection d'objets peut causer des blessures.
- **Avant d'utiliser la machine, vérifiez toujours visuellement que le couteau ou la lame et l'ensemble de couteau ou de lame ne sont pas endommagés.** Les pièces endommagées augmentent le risque de blessure.
- **Suivez les instructions pour le changement d'accessoires.** Des écrous ou boulons de fixation de la lame mal serrés peuvent endommager la lame ou la détacher.
- **La vitesse nominale de rotation de la lame doit être au moins égale à la vitesse de rotation maximum indiquée sur la machine.** Si des lames tournent à une vitesse supérieure à leur vitesse nominale de rotation, elles risquent de se casser et d'être projetées dans l'air.

- **Portez des lunettes de protection, un protège-oreilles, un masque pour la tête et des gants.** Des équipements de protection adéquats réduiront les blessures corporelles causées par la projection de débris ou par un contact accidentel avec le fil de coupe ou la lame.
- **Lors de l'utilisation de la machine, portez toujours des chaussures antidérapantes et protectrices.** N'utilisez pas la machine si vous êtes pieds nus ou si vous portez des sandales ouvertes. Cela réduit les risques de blessures aux pieds en cas de contact avec un couteau, un fil ou une lame en mouvement.
- **Lorsque vous utilisez la machine, portez toujours des pantalons longs.** Une peau exposée augmente le risque de blessure par des objets lancés.
- **Tenez les autres personnes présentes à l'écart pendant l'utilisation de la machine.** La chute de débris pourrait causer des blessures graves.
- **Tenez toujours la machine des deux mains pendant son fonctionnement.** Tenez la machine des deux mains pour éviter d'en perdre le contrôle.
- **Tenez seulement la machine par ses surfaces de préhension isolées, parce que le fil de coupe ou la lame pourrait entrer en contact avec des fils sous tension dissimulés.** Un fil de coupe ou une lame qui entre en contact avec un fil sous tension peut mettre les parties en métal exposées de la machine sous tension et causer un choc électrique à l'opérateur.
- **Gardez toujours un bon équilibre et n'utilisez la machine que si vous êtes debout sur le sol.** Les surfaces glissantes ou instables peuvent vous faire perdre l'équilibre ou vous faire perdre le contrôle de la machine.
- **N'utilisez pas la machine sur des pentes excessivement raides.** Cela réduit le risque de perte de contrôle, de glissement et de chute pouvant entraîner des blessures.
- **Lorsque vous travaillez sur des pentes, soyez toujours sûr de votre équilibre, travaillez toujours en travers de la pente, jamais vers le haut ou vers le bas, et soyez extrêmement prudent lorsque vous changez de direction.** Cela réduit le risque de perte de contrôle, de glissement et de chute pouvant entraîner des blessures.
- **Gardez toutes les parties de votre corps à une distance suffisante du couteau, du fil de coupe ou de la lame lorsque la machine est en marche. Avant de démarrer la machine, assurez-vous que le couteau, le fil de coupe ou la lame n'entre pas en contact avec quoi que ce soit.** Un simple moment d'inattention pendant que vous utilisez la machine pourrait causer une blessure à vous-même ou à d'autres personnes se trouvant à proximité.

- **N'utilisez pas la machine pour couper plus haut que la hauteur de la taille.** Ceci contribue à prévenir un contact accidentel avec le couteau ou la lame et assure un meilleur contrôle de la machine dans des situations inattendues.
- **Lorsque vous coupez des broussailles ou des gaules qui sont sous tension, soyez alerte en raison du risque d'effet de rebond.** Lorsque la tension dans les fibres de bois est relâchée, la broussaille ou la gaulle sous tension risque de heurter l'opérateur et/ou de lui faire perdre le contrôle de la machine.
- **Faites preuve d'une grande prudence lorsque vous coupez des broussailles et des jeunes arbres.** Les morceaux de bois minces risquent d'être attrapés par la lame et projetés vers vous à grande vitesse ou de vous déséquilibrer.
- **Gardez le contrôle de la machine et ne touchez pas les couteaux, les fils de coupe ou les lames et autres pièces mobiles dangereuses lorsqu'ils sont en mouvement.** Cela permet de réduire le risque de blessures due aux pièces mobiles.
- **Transportez la machine après l'avoir éteinte et en l'éloignant de votre corps.** Une manipulation correcte de la machine réduira le risque de contact accidentel avec un couteau, un fil de coupe ou une lame en mouvement.
- **N'utilisez que les couteaux, fils de coupe, têtes de coupe et lames de rechange spécifiés par le fabricant.** Des pièces de rechange incorrectes peuvent augmenter le risque de casse et de blessure.
- **Lorsque vous retirez des déchets coincés ou lorsque vous effectuez une opération de maintenance de la machine, assurez-vous que l'interrupteur est en position d'arrêt et que le bloc-piles a été retiré.** Une mise en marche inattendue de la machine pendant que l'opérateur s'efforce d'en retirer des déchets coincés ou est en train d'effectuer une opération d'entretien pourrait causer une blessure grave.
- **Lorsque vous transportez ou rangez la machine, mettez toujours le cache sur les lames métalliques.** Une manipulation correcte de la machine réduira le risque de contact accidentel avec la lame.
- **Endommagement du taille-bordure/coupe-herbe** -- Si vous heurtez un corps étranger avec le taille-bordure/coupe-herbe ou s'il s'emmêle, arrêtez immédiatement la machine, vérifiez si elle est endommagée et faites-la réparer avant de poursuivre son utilisation. N'utilisez pas cet outil avec une bobine ou un dispositif de protection cassé.

- **Si l'équipement commence à vibrer de façon anormale, arrêtez immédiatement le moteur et recherchez la cause du problème.** Des vibrations sont généralement un signe avant-coureur d'un problème. Une tête mal fixée peut vibrer, se fendre, se casser ou se détacher du taille-bordure/ coupe-herbe, ce qui peut entraîner des blessures graves, ou même mortelles. Assurez-vous que l'attachement de coupe est correctement fixé en place. Si la tête se desserre après avoir été fixée en place, remplacez-la immédiatement. N'utilisez jamais un taille-bordure/coupe-herbe dont un attachement de coupe est mal assujéti.
- **N'utilisez qu'avec les blocs-piles et les chargeurs indiqués ci-dessous.**

BLOC-PILE	CHARGEUR
BA1400, BA1400-FC, BA2800, BA2800-FC, BA4200, BA4200-FC, BA1400T, BA1400T-FC, BA2242T, BA2242T-FC, BA2800T, BA2800T-FC, BA3360T, BA3360T-FC, BA4200T, BA4200T-FC, BA5600T, BA5600T-FC, BA6720T, BA6720T-FC	CH2100, CH2100-FC, CH3200, CH3200-FC, CH5500, CH5500-FC, CH2800D, CH2800D-FC CH7000, CH7000-FC
BAX1501/BAX1501-FC	CHX5500/CHX5500-FC

Causes des mouvements soudains de la lame et avertissements associés

Des mouvements soudains de la lame vers un côté, vers l'avant ou vers l'arrière peuvent se produire lorsque la lame se bloque ou s'accroche à un objet tel qu'un jeune arbre ou une souche d'arbre. Ce mouvement peut être assez violent pour projeter la machine et/ou l'opérateur dans un sens quelconque et faire perdre à ce dernier le contrôle de la machine.

La projection de la lame et les risques qui y sont liés peuvent être évités en prenant les précautions appropriées indiquées ci-dessous.

- **Maintenez une prise ferme avec les deux mains sur la machine, et positionnez vos bras de façon à pouvoir résister à la force de l'effet de rebond.** Placez votre corps sur le côté gauche de la machine. La poussée de la lame peut augmenter le risque de blessure en raison du déplacement inattendu de la machine. L'opérateur peut contrôler la poussée de la lame s'il prend des précautions appropriées.

- **Si la lame se coince ou lorsque vous interrompez une coupe pour une raison quelconque, mettez la machine hors tension et maintenez-la immobile dans le matériau jusqu'à ce que la lame se soit complètement arrêtée. Lorsque la lame se coince, n'essayez jamais de retirer la machine du matériau ou de tirer la machine vers l'arrière lorsque la lame est en mouvement, sans quoi un effet de rebond pourrait se produire.** Inspectez la lame et prenez les mesures qui s'imposent pour éliminer la cause du blocage de la lame.
- **N'utilisez jamais de lames émoussées ou endommagées.** Les lames émoussées ou endommagées augmentent le risque de se coincer ou de s'accrocher à un objet, ce qui entraîne une poussée de la lame.
- **Maintenez toujours une bonne visibilité du matériau en cours de coupe.** Un rebond de la lame risque surtout de se produire dans des endroits où il est difficile de voir le matériau en train d'être coupé.
- **Si une autre personne s'approche de vous pendant que vous utilisez la machine, mettez la machine hors tension.** Il existe un risque accru de blessure pour les autres personnes qui seraient frappées par la lame en mouvement en cas de poussée de la lame.

CONSERVEZ CES INSTRUCTIONS !

INTRODUCTION

Félicitations pour votre choix de la nouvelle débroussailleuse au lithium-ion EGO COMMERCIAL de 56 V. Elle a été conçue, développée et fabriquée pour vous donner le plus possible de fiabilité et de rendement.


Si vous rencontrez un problème auquel vous ne pouvez pas remédier facilement, veuillez contacter le centre de service à la clientèle EGO au 1-855-EGO-5656.

Ce mode d'emploi contient des informations importantes sur l'assemblage, l'utilisation et l'entretien de votre produit en toute sécurité. Lisez-le attentivement avant d'utiliser le produit. Conservez ce mode d'emploi à portée de main afin de pouvoir vous y référer à tout moment.

NUMÉO DE SÉRIE _____ DATE D'ACHAT _____

VOUS DEVEZ ENREGISTRER LE NUMÉRO DE SÉRIE ET LA DATE D'ACHAT, ET LES CONSERVER EN LIEU SÛR POUR TOUTE RÉFÉRENCE ULTÉRIEURE.

SPÉCIFICATIONS

Tension	56V 
n_0	1 : 3 500 tr/min 2 : 4 500 tr/min 3 : 5 700 tr/min
Mécanisme de coupe	Lame en métal à 3 dents
Largeur de coupe	30 cm / 12 po
Indice de protection pour la pénétration	IPX5* (Protection contre les projections d'eau)
Température de fonctionnement recommandée	0° C–40° C / 32° F–104° F
Température de stockage recommandée	-20° C-70° C / -4° F-158° F
Poids (sans le bloc-piles)	12 lbs (5.4 kg)

* **REMARQUE** : Le classement IPX5 est basé sur la machine et la pile utilisées ensemble en tant que système.

Accessoires recommandés

NOM DE LA PIÈCE	NUMÉRO DE MODÈLE
Lame de débroussailleuse	ABB 1203-1

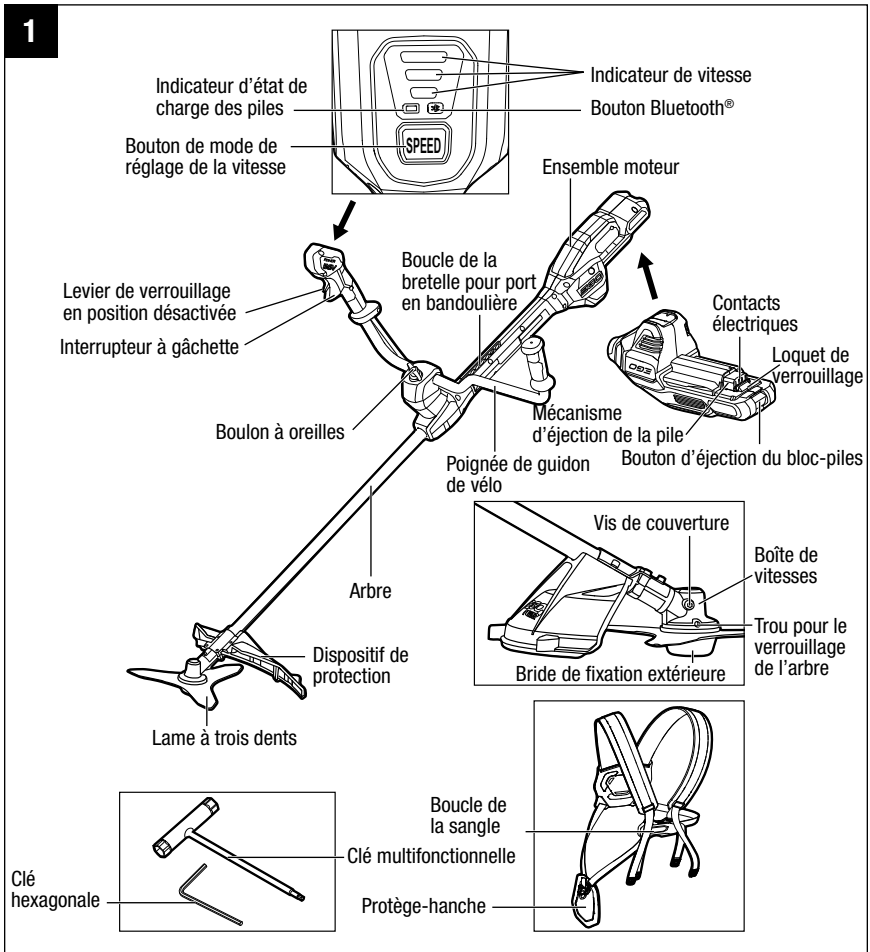
LISTE DES PIÈCES

NOM DE LA PIÈCE	QUANTITÉ
Débroussailleuse	1
Ensemble de lame et de gaine de lame	1
Dispositif de protection	1
Double bretelle pour les épaules	1
Clé hexagonale (4 mm)	1
Clé multifonctionnelle	1
Mode d'emploi	1

DESCRIPTION

FAMILIARISEZ-VOUS AVEC VOTRE DÉBROUSSAILLEUSE (Fig. 1).

Pour que ce produit puisse être utilisé en toute sécurité, il est nécessaire de comprendre les informations figurant sur la machine et dans son mode d'emploi, et de bien maîtriser le projet que vous voulez réaliser. Avant d'utiliser ce produit, familiarisez-vous avec toutes ses fonctionnalités et les consignes de sécurité qui s'y appliquent.



BLOC MOTEUR

La partie de l'outil contenant le moteur électrique et les contacts électriques pour la connexion du bloc-piles.

POIGNÉE DE GUIDON DE VÉLO RÉGLABLE

Pour contrôler facilement la machine pendant les opérations de coupe.

DISPOSITIF DE PROTECTION

Réduit le risque de blessures causées par des corps étrangers projetés en direction de l'opérateur et par un contact avec l'attachement de coupe.

LAME À TROIS DENTS

Accessoire de coupe pour le débroussaillage

GAINÉ DE LA LAME

La gaine de la lame empêche l'opérateur d'entrer en contact avec la lame tranchante lorsque l'outil n'est pas utilisé. Elle aide aussi à empêcher la lame d'être ébréchée ou endommagée pendant le transport ou le rangement de l'outil.

FIL DE BRIDE DE FIXATION

Pour sécuriser la gaine de la lame sur la lame.

INTERRUPTEUR À GÂCHETTE / LEVIER DE VERROUILLAGE EN POSITION D'ARRÊT

Allume et éteint la machine ; le levier de verrouillage doit être relevé jusqu'à ce qu'il soit complètement s'insère dans la rainure avant d'appuyer sur la gâchette.

BOUTON DE MODE DE RÉGLAGE DE LA VITESSE

Fournit des modes de vitesses élevées, intermédiaires et basses en fonction des différentes tâches à accomplir.

INDICATEUR D'ÉTAT DE CHARGE DES PILES

Indique le niveau de charge du bloc-piles et l'état de fonctionnement de la pile.

BOUTON BLUETOOTH®

Pour établir une connexion Bluetooth® et indiquer l'état de la connexion.

La marque du mot Bluetooth® et les logos correspondants sont des marques déposées appartenant Bluetooth SIG, Inc., et toute utilisation de ces marques par EGO est effectuée sous licence.

ASSEMBLAGE

⚠ AVERTISSEMENT : Si certaines pièces sont endommagées ou manquantes, n'utilisez pas ce produit avant que ces pièces aient été remplacées. L'utilisation de ce produit avec des pièces endommagées ou manquantes pourrait causer des blessures graves.

⚠ AVERTISSEMENT : Ne tentez pas de modifier ce produit ou de créer des accessoires qu'il n'est pas recommandé d'utiliser avec cette débroussailleuse. Une telle altération ou modification constituerait une utilisation abusive et pourrait créer une situation dangereuse avec risque de blessures graves.

⚠ AVERTISSEMENT : Portez toujours des gants épais lorsque vous effectuez une opération d'entretien sur la lame. Faites attention à la lame et protégez-vous les mains pour ne pas qu'elles risquent d'être blessées par la lame.

⚠ AVERTISSEMENT : Pour empêcher tout démarrage accidentel qui pourrait causer une blessure grave, retirez toujours le bloc-piles de la machine lorsque vous effectuez le montage de pièces, des réglages ou le nettoyage de l'outil – ou lorsque vous n'allez pas vous en servir pendant un certain temps.

DÉBALLAGE

Ce produit nécessite un assemblage.

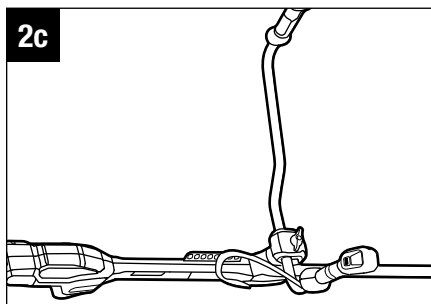
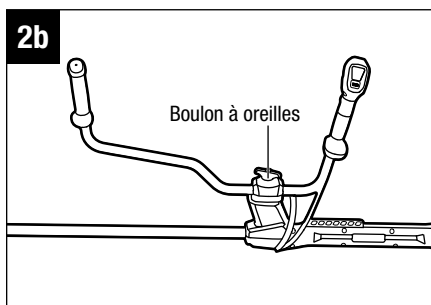
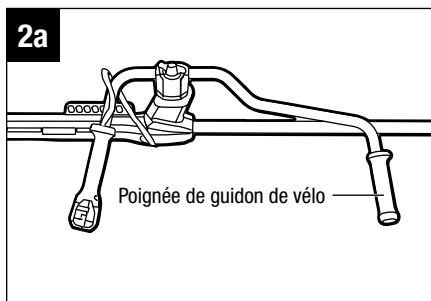
- Retirez le produit et tous les accessoires de la boîte en prenant les précautions nécessaires. Assurez-vous que tous les articles indiqués sur la liste des pièces sont inclus.
- Inspectez attentivement le produit pour vous assurer qu'aucun dommage ou bris de pièce(s) ne s'est produit pendant le transport.
- Ne jetez pas les matériaux d'emballage avant d'avoir inspecté attentivement la machine et de l'avoir mise en marche de façon satisfaisante.
- Si une pièce quelconque est endommagée ou manquante, veuillez rapporter le produit dans le magasin où vous l'avez acheté.

RÉGLAGE DES POIGNÉES DU GUIDON DE VÉLO

⚠ AVERTISSEMENT : Retirez toujours le bloc-piles de ce produit lorsque vous assemblez des pièces, effectuez des réglages, faites un nettoyage ou n'utilisez pas le produit.

1. Pendant l'expédition, la poignée du guidon de vélo est montée sur l'arbre comme illustré à la Fig. 2a.
2. Desserrez le boulon à oreilles sur le support, puis soulevez la poignée de guidon de 180° autour de l'arbre, comme illustré à la Fig. 2b.
3. Faites tourner la poignée de 90° **DANS LE SENS CONTRAIRE DES AIGILLES D'UNE MONTRE** pour l'orienter face au couteau (Fig. 2c).
4. Serrez le boulon à oreilles pour sécuriser le guidon de vélo en place.

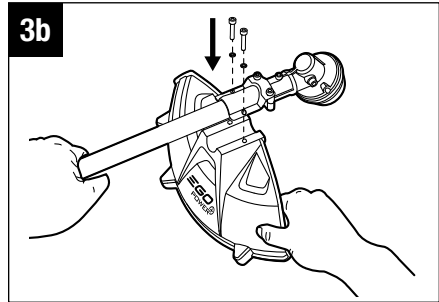
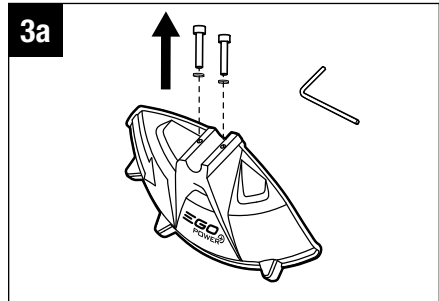
⚠ AVERTISSEMENT : Risque de blessure grave. Ne mettez l'outil en marche que lorsque le guidon de vélo est ajusté perpendiculairement à la perche et lorsque l'opérateur le tient avec les deux mains.




MONTAGE DU DISPOSITIF DE PROTECTION

⚠ AVERTISSEMENT : Pour réduire les risques de blessures, n'utilisez pas l'outil sans le dispositif de protection en place.

1. Desserrez les deux boulons sur le dispositif de protection en utilisant la clé hexagonale fournie ; puis retirez les boulons et les rondelles à ressort du dispositif de protection (Fig. 3a).
2. Soulevez la tête du couteau et orientez-la vers le bas. Alignez les deux trous de montage du dispositif de protection avec les deux trous d'assemblage, puis fixez le dispositif de protection sur la base de l'arbre à l'aide des deux vis et des deux rondelles à ressort (Fig. 3b).

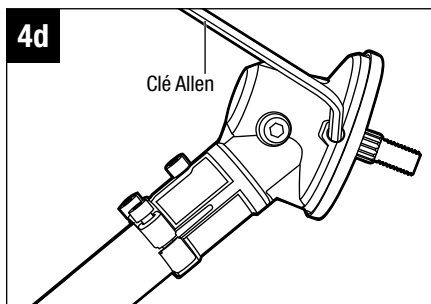
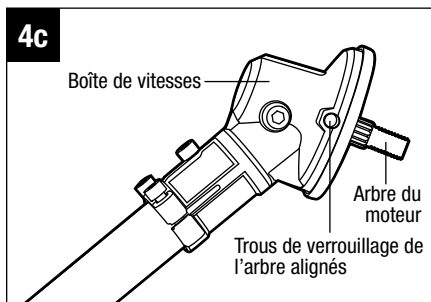
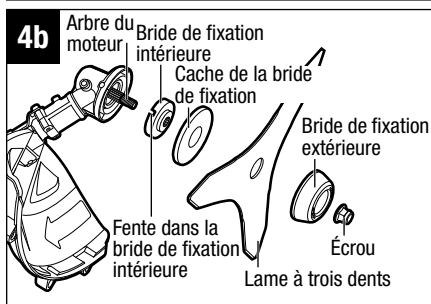
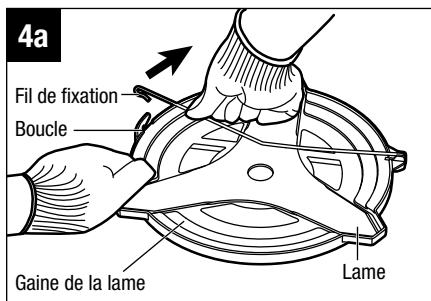


AVIS : Il existe deux types de dispositifs de protection qui sont compatibles avec cette machine. Le dispositif de protection avec icône  peut uniquement être utilisé avec la tête du taille-bordure/cope-herbe, et il ne doit pas être utilisé avec la tête de la débroussailleuse. Veillez à choisir le bon dispositif de protection lorsque vous utilisez la machine

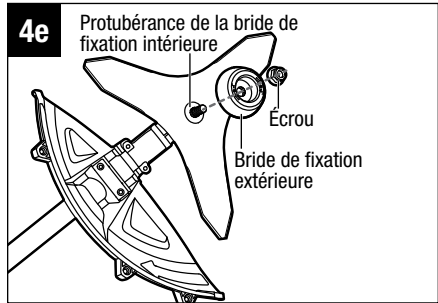
AVIS : Le dispositif de protection du taille-bordure/cope-herbe n'est pas inclus (EGO AD4500, vendu séparément).

MONTAGE DE LA LAME

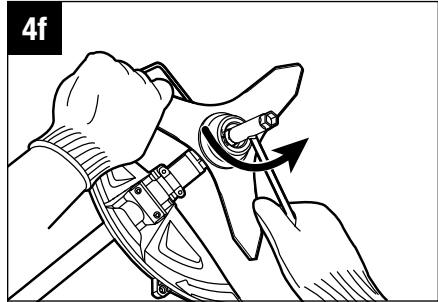
1. La lame est expédiée dans une gaine. Avant de monter la lame sur la débroussailleuse, il faut retirer la gaine en défaisant le fil de fixation de la boucle sur la gaine (Fig. 4a).
2. Familiarisez-vous avec le montage de la tête de coupe illustré à la Fig. 4b. Avant de monter la lame, assurez-vous que la bride de fixation intérieure et le cache de la bride de fixation sont positionnés correctement sur l'arbre du moteur (Fig. 4b).
3. Faites tourner l'arbre du moteur pour aligner la fente de la bride de fixation intérieure sur le trou d'accès du dispositif de verrouillage de l'arbre dans la boîte de vitesses (Fig. 4c).
4. Insérez la clé hexagonale fournie dans les trous alignés afin qu'elle serve de dispositif de verrouillage de l'arbre (Fig. 4d).



5. Montez la lame sur l'arbre du moteur en vous assurant que la surface de la lame est au ras de la surface de la protubérance de la bride de fixation intérieure. Montez la bride de fixation extérieure et l'écrou (Fig. 4e). Serrez l'écrou autant que possible à la main dans le **SENS CONTRAIRE DES AIGUILLES D'UNE MONTRE**.



6. Positionnez la boîte de vitesses contre une surface solide pour servir de support. Tenez l'arbre de la débroussailleuse d'une main, et de l'autre saisissez la clé multifonctionnelle pour serrer l'écrou en suivant l'icône de flèche directionnelle gravée sur la bride de fixation extérieure (Fig. 4f).



ATTACHEMENT/DÉTACHEMENT DE LA PILE

REMARQUE : Chargez complètement le bloc-piles avant de vous en servir pour la première fois.

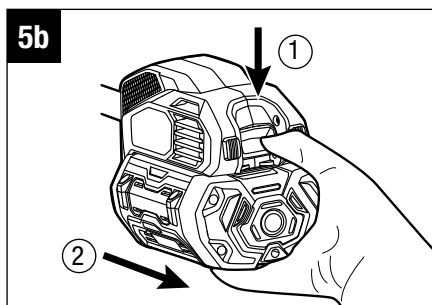
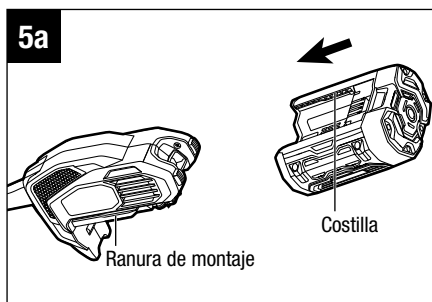
Pour l'attacher

Alignez les nervures de la pile sur les fentes de montage de l'orifice d'insertion de la pile de la machine et faites glisser le bloc-piles jusqu'à ce qu'il s'enclenche en position (Fig. 5a).

Pour détacher

Contrôlez toujours la position de vos pieds et les endroits où se trouvent les enfants et les animaux domestiques avant d'appuyer sur le bouton d'éjection des piles. La chute du bloc-piles pourrait causer des blessures graves. Ne retirez JAMAIS le bloc-piles lorsque vous vous trouvez à un endroit surélevé.

1. Appuyez sur le bouton d'éjection de la pile ; le bloc-piles se détachera alors du loquet de verrouillage (Fig. 5b).
2. Saisissez le bloc-piles et retirez-le de la machine.



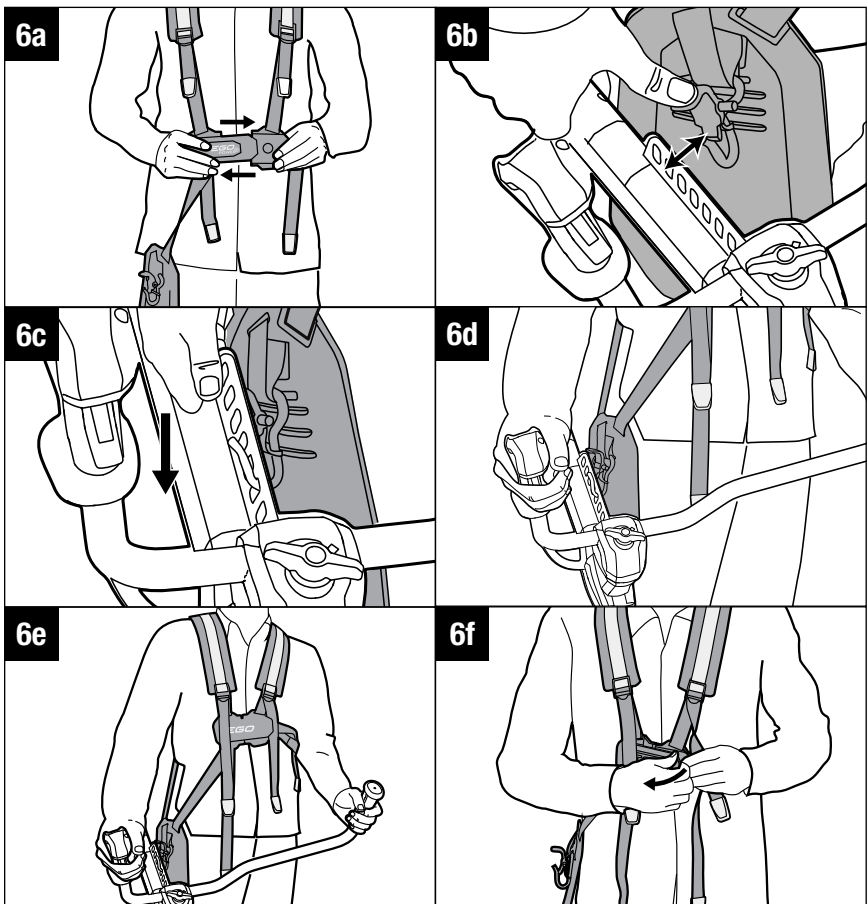
MONTAGE DE LA DOUBLE BRETELLE POUR PORT EN BANDOULIÈRE

1. Placez la double bretelle pour port en bandoulière sur votre corps et insérez les deux parties de la boucle de la bretelle l'une dans l'autre jusqu'à ce que vous entendiez un déclic (Fig. 6a).
2. Insérez le crochet de mousqueton du protège-hanche dans le trou de la boucle de la bretelle pour port en bandoulière sur l'arbre et appuyez doucement sur l'arbre en poussant vers le bas (Fig. 6b & 6c & 6d).
3. Tenez la débroussailleuse des deux mains du côté droit de votre corps (Fig. 6e). La lame doit être parallèle au sol, à une distance de coupe appropriée, sans que l'opérateur n'ait besoin de se pencher.
4. Le détachement de la débroussailleuse peut s'effectuer de deux manières : détachez la boucle de la bretelle (Fig. 6f) ou appuyez sur le mousqueton de la bretelle et retirez le crochet de la boucle fixée sur l'arbre (Fig. 6b).

⚠ AVERTISSEMENT : En cas d'urgence, détachez-la immédiatement de votre épaule, quelle que soit la position de la bretelle. Une méthode de dégagement rapide consiste à relâcher la boucle de la bretelle (Fig. 6f) et à l'enlever des deux mains de vos épaules de chaque côté.

⚠ AVERTISSEMENT : Il ne faut pas utiliser la courroie à bretelle unique et la courroie à double bretelle en même temps.

AVIS : Lorsque vous portez la bretelle, aucun autre vêtement n'interfère avec le détachement et le retrait de la bretelle.



FONCTIONNEMENT

⚠ AVERTISSEMENT : Ne laissez pas l'habitude de l'utilisation de ce produit vous empêcher de prendre toutes les précautions requises. N'oubliez jamais qu'une fraction de seconde d'inattention suffit pour entraîner de graves blessures.

⚠ AVERTISSEMENT : Portez toujours des lunettes de sécurité avec des écrans latéraux marqués comme étant conformes à la norme ANSI Z87.1, ainsi que des protège-oreilles. Si vous ne portez pas un tel dispositif de protection, vous pourriez subir des blessures graves, y compris en conséquence de la projection d'objets dans vos yeux..

⚠ AVERTISSEMENT : N'utilisez pas d'attachements ou d'accessoires qui ne sont pas recommandés par le fabricant de ce produit. L'utilisation d'attachements ou d'accessoires qui ne sont pas recommandés peut causer des blessures graves.

⚠ AVERTISSEMENT : Pour éviter tout risque de blessure grave, retirez le bloc-piles de la machine avant de la réparer ou de la nettoyer, ou avant de retirer des déchets de la machine.

APPLICATIONS

Vous pouvez utiliser ce produit pour faire ce qui suit :

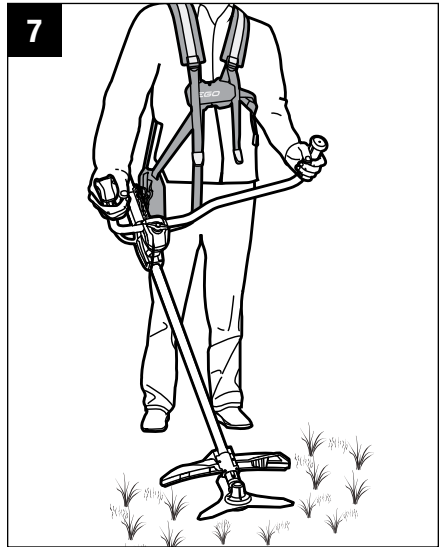
- Avec lame métallique à trois dents (configuration originale) : Coupe de gazon, de mauvaises herbes, d'arbustes et de pousses sauvages, et de branches d'arbres encore jeunes avec une tige de 2 cm / 3/4 po de diamètre au maximum.
- Avec la tête de taille-bordure/coupe-herbe (vendue séparément) : Taille de gazon et des mauvaises herbes autour des vérandas, des clôtures et des terrasses.

AVIS : Cette machine ne doit être utilisé qu'aux fins indiquées. Toute autre utilisation sera considérée comme une utilisation abusive.

MANUTENTION DE LA DÉBROUSAILLEUSE (FIG. 7)

⚠ AVERTISSEMENT : Habillez-vous de façon appropriée pour réduire le risque de blessure lorsque vous utilisez cet outil. Ne portez pas de bijoux ou de vêtements amples. Portez des lunettes de sécurité et, des protège-oreilles ou un autre équipement de protection de l'ouïe. Portez des pantalons longs robustes, des bottes et des gants. Ne portez pas de shorts ou de sandales, et n'utilisez pas cet outil en étant pieds nus.

Tenez la débroussailleuse des deux mains du côté droit de votre corps. Gardez une prise ferme avec les deux mains pendant l'utilisation de La machine. La lame de la tête du taille-bordure/cope-herbe doit être parallèle au sol, à une distance de coupe appropriée, sans que l'opérateur n'ait besoin de se pencher.



UTILISATION DE LA DÉBROSSEUSE

Pour couper des mauvaises herbes ou des pousses sauvages, abaissez la lame en rotation aussi bas que possible pour produire un effet de hachage maximum. Utilisez la débroussailleuse comme s'il s'agissait d'une faux (en la déplaçant rapidement vers la gauche et vers la droite) au niveau du sol. N'utilisez pas l'attache de coupe plus haut que la hauteur de la taille.

⚠ AVERTISSEMENT : Plus l'attache de coupe est haut par rapport au sol, plus le risque de blessure résultant de la projection de matériaux coupés sur les côtés est grand.

⚠ AVERTISSEMENT : Lors de la coupe de petits arbustes ou d'autres matériaux ligneux jusqu'à 2 cm / 3/4 po de diamètre, utilisez le côté gauche de la lame pour éviter les situations de rebond de la lame. Ne tentez pas de couper de matériaux lignés avec un grand diamètre étant donné que la lame pourrait attraper ou projeter la débroussailleuse vers l'avant. Ceci pourrait endommager la lame ou la débroussailleuse, ou causer une perte de contrôle de cette dernière qui risquerait de causer des blessures.

⚠ AVERTISSEMENT : Des parties projetées en conséquence pourraient blesser grièvement l'opérateur ou d'autres personnes présentes. Pour réduire le risque de blessure, il est essentiel de prendre les précautions suivantes :

- Évitez tout contact avec des objets durs ou des corps étrangers massifs comme des pierres, des roches ou des morceaux de métal.
- Ne coupez jamais de branches ou d'arbustes dont le diamètre est supérieur à 2 cm / 3/4 po.
- Inspectez la lame assez fréquemment pour vous assurer qu'elle n'est pas endommagée. Ne continuez pas à travailler avec cet outil si sa lame est endommagée.
- Réaffûtez régulièrement la lame (quand elle s'est nettement émoussée) et faites-la rééquilibrer si besoin est (en vous adressant à un technicien de maintenance qualifié).

REBOND DE LA LAME

Faites extrêmement attention lorsque vous utilisez cet outil. Le rebond de la lame est la réaction qui risque de se produire lorsque la lame en mouvement entre en contact avec quelque chose qu'elle ne parvient pas à couper. Ce contact cause l'arrêt de la lame pendant un bref instant, après quoi il entraîne un « rebond » de la lame dans le sens opposé à celui de l'objet qu'elle avait tenté de couper. Cette réaction peut être assez violente pour causer la perte de contrôle de l'outil par l'opérateur. Le rebond de la lame peut se produire sans avertissement si la lame se coince, cale ou se bloque. Ceci risque surtout de se produire dans des endroits où il est difficile de voir le matériau en train d'être coupé. Pour couper facilement et en toute sécurité, approchez des herbes à couper de façon que la débroussailleuse puisse couper de la droite vers la gauche. Au cas où un objet inattendu ou un morceau de bois serait frappé, cette méthode contribuerait à minimiser la réaction de rebond de la lame.

Assurez-vous qu'il n'y a pas de pièces endommagées ou excessivement usées avant chaque utilisation.

Inspectez la lame, son dispositif de protection, la barre de retenue et la poignée avant, et remplacez toutes les pièces qui sont fissurées, tordues, recourbées ou endommagées de quelque façon que ce soit. Le bord de la lame peut s'émousser avec le temps. Il est recommandé de retourner la lame pour prolonger sa durée de vie et de l'affûter périodiquement (opération effectuée par un technicien qualifié) ou de la remplacer par une lame neuve si nécessaire.

Nettoyez la débroussailleuse après chaque utilisation.

Veillez consulter la rubrique MAINTENANCE pour des instructions sur le nettoyage.

⚠ AVERTISSEMENT : Assurez-vous que la lame s'est complètement arrêtée avant de nettoyer la débroussailleuse ou d'effectuer une opération d'entretien sur celle-ci. Si vous ne respectez pas cette consigne de sécurité, vous risqueriez de causer ou de subir des blessures graves.

Assurez-vous que la lame à trois dents n'est pas bloquée.

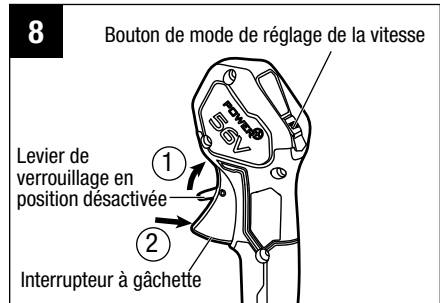
Pour éviter tout blocage, gardez la lame propre. Retirez toute l'herbe coupée, les feuilles, les saletés et tous les autres débris accumulés avant et après chaque utilisation. En cas de blocage, arrêtez la débroussailleuse et retirez la pile. Puis retirez toute l'herbe qui peut s'être accumulée autour de l'arbre du moteur ou de la lame.

MISE EN MARCHÉ / ARRÊT DE LA MACHINE

⚠ AVERTISSEMENT : Habillez-vous de façon appropriée pour réduire le risque de blessure lorsque vous utilisez cette machine. Ne portez pas de bijoux ou de vêtements amples. Portez des lunettes de sécurité et, des protège-oreilles ou un autre équipement de protection de l'ouïe. Portez des pantalons longs robustes, des bottes et des gants. Ne portez pas de shorts ou de sandales, et n'utilisez pas cet outil en étant pieds nus.

Pour mettre la machine en marche (Fig. 8)

1. Déplacez le levier de verrouillage en position d'arrêt vers le haut jusqu'à ce qu'il s'insère complètement dans la rainure, maintenez-le dans cette position, puis appuyez sur l'interrupteur à gâchette pour démarrer.



2. La vitesse de rotation du dispositif de coupe est contrôlée par l'interrupteur à gâchette. Une pression plus forte sur la gâchette produit une vitesse plus élevée ; une pression réduite sur la gâchette produit une vitesse plus basse. Réglez la vitesse en fonction de la tâche à accomplir.

AVIS : Le moteur ne se met en marche que lorsque le levier de verrouillage en position d'arrêt est déplacé vers l'arrière et lorsque l'interrupteur à gâchette est comprimé en même temps.

Arrêt de la machine

Déplacez la machine dans le sens opposé à la zone de coupe et relâchez la gâchette de l'interrupteur pour l'arrêter.

⚠ AVERTISSEMENT : Retirez toujours le bloc-piles de la machine pendant les pauses et après avoir fini votre travail.

CHANGEMENT DU MODE DE RÉGLAGE DE LA VITESSE (FIG. 9)

Cette machine dispose de trois modes de réglage de la vitesse.

Le mode de réglage de la vitesse change à chaque fois que vous appuyez sur le bouton du mode de réglage de la vitesse.

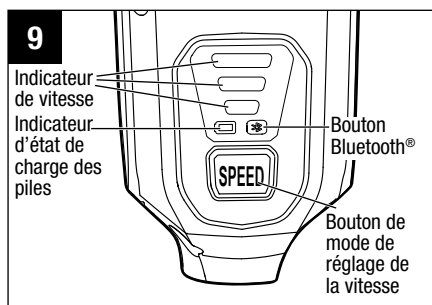
L'indicateur de vitesse affichera le mode de réglage de la vitesse actif : une lumière pour la vitesse lente, deux lumières pour la vitesse intermédiaire et trois lumières pour la vitesse rapide. Le mode de vitesse lente permet un meilleur contrôle de la machine et une plus longue durée d'utilisation par charge.







REMARQUE : Le mode de vitesse peut être réglé avant la mise en marche de la machine OU pendant le fonctionnement.




Lorsque la machine est redémarrée après une pause, le mode de vitesse revient à la vitesse précédente.

INDICATEUR D'ÉTAT DE CHARGE DE LA PILE ET INDICATEUR DE VITESSE (FIG. 9)

L'indicateur d'état de charge de la pile indique le niveau de charge et l'état de fonctionnement du bloc-piles, et l'indicateur de vitesse indique l'état de fonctionnement de la machine, comme le montre le tableau ci-dessous. L'indicateur d'état de charge de la pile et l'indicateur de vitesse s'allument lorsque la machine est mise en marche.



Voyants lumineux		Signification
Indicateur d'état de charge de la pile	Allumé continuellement en vert	 Niveau de charge de la pile de 20 % à 100 %
	Clignotant en vert	 Niveau de charge de la pile de 10 % à 20 %
	Allumé continuellement en rouge	 Niveau de charge de la pile inférieur à 10 %
	Clignotant en rouge	 La charge du bloc-piles est presque complètement épuisée, et le bloc-piles doit être rechargé immédiatement.
	Allumé continuellement en orange	 Le bloc-piles est en état de surchauffe. Laissez le bloc-piles refroidir jusqu'à ce que la température descende en dessous de 67° C / 152° F. Voir la rubrique intitulée « Protection contre les températures élevées de la pile » ci-dessous.
	Clignotant en rouge/vert en alternance	 Erreur électronique du bloc-piles. Remplacez le bloc-piles ou contactez le centre de service à la clientèle EGO. Voir la rubrique intitulée « Protection contre les erreurs électroniques de la pile ».

Voyants lumineux		Signification
Indicateur de vitesse (l'illustration montre la vitesse élevée)	Allumé continuellement en vert	 La machine fonctionne correctement.
	Allumé continuellement en orange	 La machine est en état de surchauffe. Laissez la machine refroidir jusqu'à ce que la température descende en dessous de 80° C / 176° F. Voir la rubrique intitulée « Protection contre les températures élevées de la machine » ci-dessous.
	Clignotant en orange	 La machine est en état de surcharge. Voir la rubrique intitulée « Protection contre la surcharge de la machine » ci-dessous.

Protection contre les températures élevée de la pile

Si la température des piles dépasse 70° C / 158° F pendant le fonctionnement, le circuit de protection contre les températures élevées éteint immédiatement la machine pour protéger le blocs-piles contre les dommages causés par la chaleur. L'indicateur d'état de la pile s'allume et brille continuellement en orange. Relâchez la gâchette et attendez que la pile surchauffée refroidisse et que l'indicateur devienne vert, puis redémarrez la machine.

Protection contre les erreurs électroniques de la pile

Lorsque l'erreur électronique du bloc-pile se produit, le témoin d'état de charge de la pile clignote alternativement en rouge et vert, et la machine s'éteint au bout de trois secondes. Remplacez le bloc-piles ou contactez le centre de service à la clientèle d'EGO.

Protection contre la surcharge de la machine


Cette machine est dotée d'un circuit de protection contre les surcharges intégré. Lorsque la machine est en état de surcharge, le moteur s'arrête et l'indicateur d'état de charge de la pile clignote en orange. Retirez le bloc-piles de la machine, puis remettez-le en place et redémarrez la machine. Diminuez la charge de la machine, évitez de couper trop longtemps ou de couper des arbustes lourds/lignifiés, ou de surdimensionner le fil de coupe (lorsque la machine est utilisée comme taille-bordure/ coupe-herbe).

Protection contre les températures élevées de la machine

Si la température de la machine dépasse 90° C / 194° F pendant le fonctionnement, le circuit de protection contre les températures élevées éteint immédiatement la machine pour la protéger contre les dommages causés par une chaleur excessive. L'indicateur de vitesse s'allume et brille continuellement en orange. Relâchez la gâchette et attendez que la machine surchauffée refroidisse et que l'indicateur de vitesse devienne vert, puis redémarrez la machine.

Technologie sans fil Bluetooth®

Les produits dotés de la technologie sans fil Bluetooth® intégrée peuvent se connecter aux appareils mobiles à l'aide des applications EGO. Veuillez consulter le site www.egopowerplus.com/commercial pour obtenir des instructions sur la manière de connecter votre machine aux applications EGO.

Le symbole Bluetooth  s'allume lorsque la machine est connectée à votre appareil mobile.

Conseils pour effectuer le meilleur débroussaillage possible

- Tenez toujours la débroussailleuse à votre droite, des deux mains, lorsque vous l'utilisez. Tenez fermement les deux poignées du guidon.
- Maintenez votre prise et équilibrez-vous sur les deux pieds. Positionnez-vous de manière à ne pas risquer d'être déséquilibré(e) par la réaction de rebond de la lame de coupe.
- Inspectez votre zone de travail et assurez-vous qu'elle ne contient pas d'objets cachés tels que du verre, de gros cailloux, du béton, une barrière, du fil de fer, du bois, du métal, etc. qui pourraient être projetés ou s'enchevêtrer dans la lame.
- N'utilisez jamais de lames près de trottoirs, de clôtures, de poteaux, de bâtiments ou d'autres objets fixes.
- N'utilisez jamais une lame après avoir frappé un objet dur sans l'inspecter au préalable afin de vous assurer qu'elle n'a pas été endommagée. Ne l'utilisez plus si vous constatez qu'elle a été endommagée.
- Utilisez l'équipement pour couper afin de couper depuis la droite vers la gauche dans le cadre d'un large mouvement latéral.
- Utilisez seulement la lame EGO™. L'utilisation d'une lame de toute autre marque sur cette débroussailleuse pourrait causer des blessures graves.

TRANSFORMATION DE LA MACHINE EN TAILLE-BORDURE/COUPE-HERBE

Cette débroussailleuse peut être transformée en un taille-bordure/coupe-herbe à l'aide du kit EGO AH3810 (vendu séparément). Les étapes requises sont les suivantes :

- Remplacement de la lame métallique par une tête de taille-bordure/coupe-herbe.
- Remplacement du dispositif de protection de la débroussailleuse par le dispositif de protection du taille-bordure/coupe-herbe.

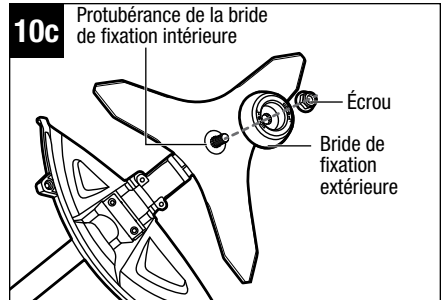
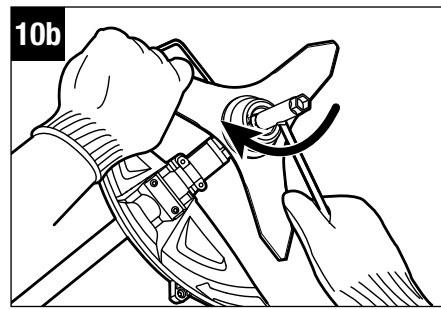
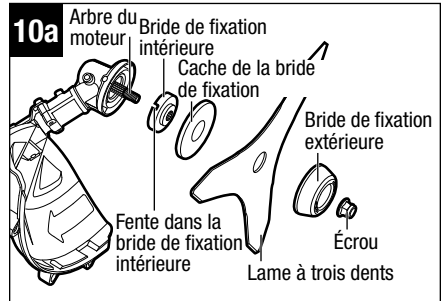
COMMENT REMPLACER LA LAME À TROIS DENTS PAR LA TÊTE DE TAILLE-BORDURE/COUPE-HERBE (KIT EGO AH3810, VENDUE SÉPARÉMENT)

Familiarisez-vous avec la tête de coupe en regardant la Fig. 10a.

Suivez les étapes ci-dessous pour retirer la lame à trois dents et monter la tête du taille-bordure/coupe-herbe.

1. Déconnectez le bloc-piles.
2. Faites tourner la bride de fixation extérieure pour aligner la fente dans la bride intérieure de fixation sur le trou de verrouillage de l'arbre dans la boîte à engrenages et insérez la clé hexagonale dans les trous alignés pour servir de stabilisateur.

3. Portez des gants. Positionnez la boîte de vitesses contre une surface solide pour servir de support. Utilisez une main pour saisir la lame et l'autre main pour desserrer l'écrou dans le sens de la flèche marquée sur la bride de fixation extérieure, à l'aide de la clé multifonctionnelle fournie. Retirez la lame à trois dents, l'écrou et la bride de fixation extérieure, et conservez-les en vue du remontage (Fig. 10b & 10c).

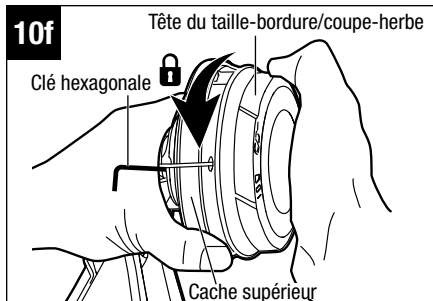
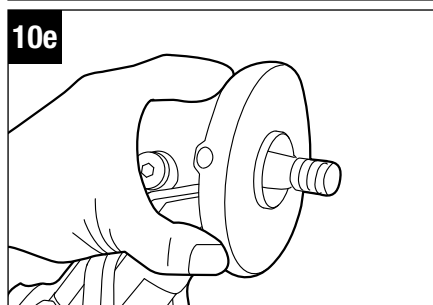
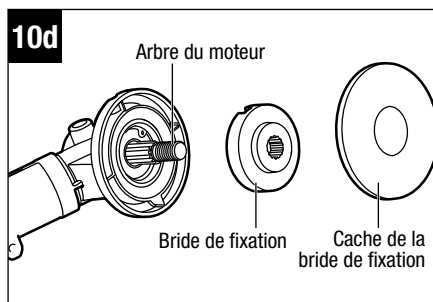


4. Avant de monter la tête du taille-bordure/coupe-herbe, assurez-vous que la bride de fixation intérieure et le cache de la bride de fixation sont placés correctement sur l'arbre du moteur, tel qu'illustré (Fig. 10d & 10e).

5. Alignez l'arbre d'entraînement sur le trou de vis de la tête du taille-bordure/coupe-herbe, et commencez à serrer la tête du taille-bordure/coupe-herbe sur l'arbre **DANS LE SENS CONTRAIRE DES AIGUILLES D'UNE MONTRE**.

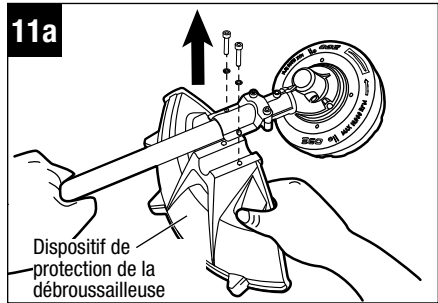
6. Faites tourner la tête du taille-bordure/coupe-herbe pour aligner la fente dans la bride de fixation sur le trou de verrouillage de l'arbre dans la boîte à engrenages, et insérez la clé hexagonale fournie dans les trous alignés pour servir de stabilisateur.

7. Portez des gants. Finissez de serrer la tête du taille-bordure/coupe-herbe sur l'arbre **DANS LE SENS CONTRAIRE DES AIGUILLES D'UNE MONTRE** (Fig. 10f).

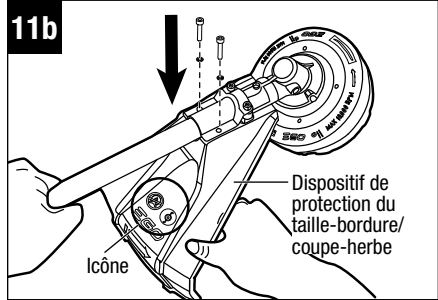


COMMENT REMPLACER LE DISPOSITIF DE PROTECTION DE LA DÉBROUSSAILLEUSE PAR LE DISPOSITIF DE PROTECTION DU TAILLE-BORDURE/COUPE-HERBE

1. Retirez le dispositif de protection de la débroussailleuse en desserrant les deux boulons. Retirez ensuite les boulons, les rondelles et le dispositif de protection (Fig. 11a). Rangez le dispositif de protection en lieu sûr en vue d'une réutilisation future.



2. Soulevez la tête du taille-bordure/ coupe-herbe et orientez-la vers le bas. Alignez les deux trous de montage dans le dispositif de protection sur les deux trous de montage dans la base de l'arbre. Assurez-vous que la surface interne du dispositif de protection est orientée vers la tête du taille-haie/coupe-herbe (Fig. 11b).



3. Installez le dispositif de protection du taille-bordure/coupe-herbe inclus dans le kit EGO AH3810 avec les deux boulons et rondelles de la débroussailleuse (Fig. 11b).
4. Utilisez la clé hexagonale fournie pour serrer les boulons.

UTILISATION AVEC TÊTE DU TAILLE-BORDURE-COUPÉ-HERBE (KIT EGO AH3810, VENDU SÉPARÉMENT)

⚠ AVERTISSEMENT : Pour éviter des blessures graves, portez des lunettes de protection ou des lunettes de sécurité à tout moment lorsque vous utilisez cet appareil. Portez un masque facial ou un masque de protection contre la poussière dans les endroits poussiéreux.

Dégagez la zone à couper avant chaque utilisation. Retirez tous les objets, tels que les pierres, le verre brisé, les clous, le fil de fer ou la ficelle qui peuvent être jetés dans l'attachement de coupe ou s'emmêler dans celui-ci. Assurez-vous qu'il n'y a pas d'enfants ou d'autres personnes, ou des animaux domestiques, à proximité. Au minimum, gardez tous les enfants, les autres personnes présentes et les animaux domestiques à une distance d'au moins 15 m / 50 pi ; les personnes présentes peuvent malgré tout être exposées à la projection d'objets. Toutes les personnes présentes doivent être encouragées à porter des lunettes de protection. Si quelqu'un s'approche de vous, arrêtez immédiatement la machine.

⚠ AVERTISSEMENT : Pour éviter tout risque de blessure grave, retirez le bloc-piles de la machine avant de la réparer ou de la nettoyer, de changer des attachements ou de retirer des déchets de la machine.

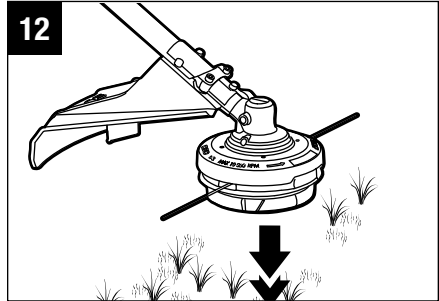
La lame pour couper le fil sur le bord du dispositif de protection peut s'émousser avec le temps. Il est recommandé que vous affûtiez périodiquement la lame avec une lime ou que vous la remplaciez par une nouvelle lame.

⚠ AVERTISSEMENT : Portez toujours des gants quand vous montez ou remplacez le dispositif de protection or quand vous affûtez ou remplacez la lame pour couper le fil. Notez la position de la lame pour couper le fil lame sur le dispositif de protection, et faites en sorte que votre main ne risque pas de subir une blessure.

⚠ AVERTISSEMENT : N'utilisez jamais d'eau pour nettoyer votre taille-haie. Évitez d'utiliser des solvants lorsque vous nettoyez des pièces en plastique. La plupart des plastiques sont susceptibles d'être endommagés par divers types de solvants commerciaux. Utilisez des chiffons propres pour retirer les saletés, la poussière, l'huile, la graisse, etc.

RÉGLAGE DE LA LONGUEUR DU FIL DE COUPE

La tête du taille-bordure/coupe-herbe permet à l'opérateur de relâcher une longueur supplémentaire de fil de coupe sans devoir arrêter le moteur. Lorsque fil s'effiloche ou devient usé, il est possible de relâcher plus de fil en tapotant légèrement la tête du taille-bordure/ coupe-herbe contre le sol tout en laissant le taille-bordure/ coupe-herbe en marche.



⚠ AVERTISSEMENT : Ne retirez pas et n'altérez pas l'ensemble de lame pour couper le fil. Une longueur de fil excessive causera la surchauffe du moteur et pourrait entraîner une blessure grave.

Conseils pour obtenir les meilleurs résultats de taille

L'angle correct pour l'attachement de coupe est quand il est parallèle au sol.

- Ne forcez pas le coupe-herbe. Laissez la pointe du fil faire la coupe (en particulier le long des murs). Si vous coupez avec plus que la pointe, vous réduisez l'efficacité de la coupe et vous risquez également de surcharger le moteur.
- La hauteur de coupe est déterminée par la distance entre le fil de coupe et la surface de la pelouse.
- L'herbe de plus de 20 cm / 8 po de haut doit être coupée en travaillant de haut en bas en petits incréments pour éviter une usure prématurée du fil ou un ralentissement du moteur.
- Déplacez lentement le taille-bordure/ coupe-herbe dans la zone à couper et faites le ressortir de cette zone lentement, tout en maintenant la position de la tête de coupe à la hauteur de coupe désirée. Ce mouvement peut être soit un mouvement d'avant en arrière, soit un mouvement latéral. Le fait de couper des longueurs plus courtes produit les meilleurs résultats.
- Évitez de couper quand la pelouse et les mauvaises herbes sont mouillées.
- Le contact avec les fils de fer et les clôtures en lattes verticales peut causer une usure plus rapide ou le bris de l'équipement. Tout contact avec les murs en pierres ou en briques, les trottoirs et le bois peut user rapidement la chaîne de l'équipement.
- Évitez les arbres et les arbustes. L'écorce des arbres, les moulures en bois, les revêtements d'habitations et les poteaux de clôtures peuvent être facilement endommagés par cet équipement.

REPLACEMENT DU FIL

Veillez vous référer à la section intitulée « **REPLACEMENT DU FIL** » du mode d'emploi pour le kit EGO AH3810 (VENDU SÉPARÉMENT).

MAINTENANCE

⚠ AVERTISSEMENT : Lors de toute réparation, n'utilisez que des pièces de rechange identiques. L'utilisation de toutes autres pièces de rechange pourrait créer un danger ou endommager le produit. Pour assurer la sécurité et la fiabilité, toutes les réparations doivent être effectuées par un technicien de service qualifié.

⚠ AVERTISSEMENT : Il n'est pas nécessaire de brancher les outils alimentés par des piles dans une prise de courant ; ils sont toujours en état de fonctionnement. Pour éviter tout risque de blessure grave, prenez des précautions supplémentaires lorsque vous effectuez une opération d'entretien ou de maintenance, ou lorsque vous changez l'attache de coupe ou d'autres attaches.

⚠ AVERTISSEMENT : Pour éviter tout risque de blessure grave, retirez le bloc-piles de la machine avant de le réparer, de le nettoyer ou de retirer des déchets de la machine. Toutes les opérations de la débroussailleuse, à l'exception de celles qui sont mentionnées dans ces instructions de maintenance, doivent être effectuées par des techniciens qualifiés pour la réparation d'une débroussailleuse.

MAINTENANCE GÉNÉRALE

Évitez d'utiliser des solvants lorsque vous nettoyez des pièces en plastique. La plupart des plastiques sont susceptibles d'être endommagés par divers types de solvants commerciaux, et ils pourraient l'être si vous les utilisez. Utilisez un chiffon propre pour retirer les saletés, la poussière, l'huile, la graisse, etc.

⚠ AVERTISSEMENT : Lors du nettoyage de l'outil, NE l'immergez PAS dans l'eau ou dans d'autres liquides.

NETTOYAGE

- Retirez le bloc-piles.
- Après chaque utilisation, nettoyez les débris et les obstructions causées par des saletés ou de l'herbe sur la lame et le dispositif de protection avec une brosse souple.
- Essuyez la surface de l'outil en utilisant un chiffon propre humidifié avec une solution de savon doux.
- Utilisez une petite brosse ou un aspirateur pour nettoyer les événements d'aération sur le logement arrière. Assurez-vous que les événements d'aération ne sont jamais bouchés.

- N'utilisez pas de détergents trop forts sur le boîtier en plastique ou sur la poignée. Ils pourraient être endommagés par certaines huiles aromatiques, comme le pin et le citron, et par des solvants tels que le kérosène. L'humidité peut également causer un risque de choc électrique. Essayez toute humidité avec un chiffon doux et sec.

Lorsque la lame s'émousse ou lorsque les deux bords de la lame sont émoussés, veuillez la faire affûter par un technicien qualifié ou la remplacer par une nouvelle lame si nécessaire.

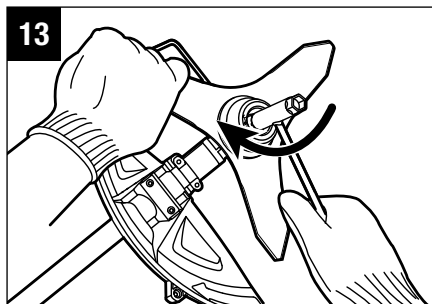
REPLACEMENT DE LA LAME

⚠ AVERTISSEMENT : Une lame usée, fissurée ou endommagée peut se casser, et des morceaux de la lame endommagée peuvent devenir des projectiles dangereux. La projection d'objets peut causer des blessures graves. Inspectez régulièrement la lame et ne vous servez pas de la débroussailleuse si la lame est usée ou endommagée.

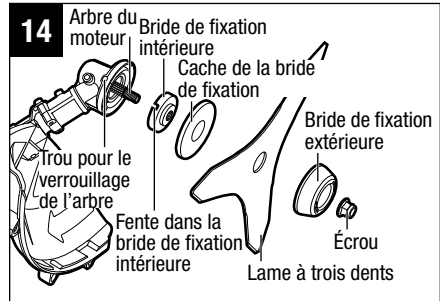
⚠ AVERTISSEMENT : Utilisez une protection oculaire appropriée lorsque vous retirez, affûtez et installez la lame.

Retrait de la lame

1. Retirez le bloc-piles.
2. Faites tourner la bride de fixation extérieure pour aligner la fente dans la bride de fixation intérieure sur le trou de verrouillage de l'arbre dans la boîte à engrenages, et insérez la clé hexagonale fournie dans les trous alignés pour servir de stabilisateur, comme indiqué aux étapes 2 et 3 dans la section intitulée « **MONTAGE DE LA LAME** ».



3. Positionnez la boîte à engrenages contre une surface solide pour servir de support. Utilisez une main pour saisir la lame et l'autre main pour desserrer l'écrou dans le sens de la flèche marquée sur la bride de fixation extérieure, à l'aide de la clé multifonctionnelle fournie. Retirez l'écrou et la bride de fixation extérieure, et conservez-les en vue du remontage.



4. Vérifiez et remplacez la bride de fixation intérieure et le cache de la bride de fixation s'ils sont usés.
5. Installez la nouvelle lame sur l'arbre du moteur dans l'ordre indiqué à la Fig. 14. Pour les instructions, suivez les étapes 5 à 7 de la section intitulée « **MONTAGE DE LA LAME** ».

LUBRIFICATION DE L'ENGRENAGE D'ENTRAÎNEMENT

Pour un meilleur fonctionnement et une durée de vie plus longue, lubrifiez l'engrenage d'entraînement de la débroussailleuse avec une graisse spéciale comme décrit ci-dessous après toutes les 50 heures de fonctionnement.

Il y a deux vis d'étanchéité : une sur la boîte à engrenages (Fig. 15a) et l'autre sur le bloc moteur (Fig. 15b).

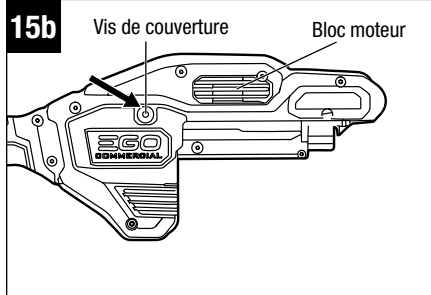
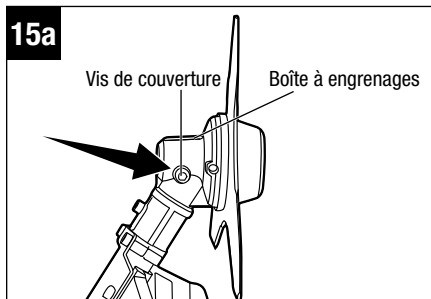
Retirez-les à l'aide de la clé hexagonale fournie et suivez les étapes ci-dessous pour appliquer jusqu'à 5 ml / 0,169 oz de graisse dans le trou pour l'huile (Fig. 15).

NE REMPLISSEZ PAS ENTIÈREMENT LA BOÎTE À ENGRENAGES AVEC LA GRAISSE.

1. Tenez la débroussailleuse sur son côté de façon que la vis de couverture à retirer soit orientée vers le haut (Fig. 15a & 15b).
2. Utilisez la clé hexagonale fournie pour desserrer et retirer la vis de couverture.
3. Utilisez un pistolet à graisse (non inclus) pour injecter de la graisse par le trou pour l'huile ; ne dépassez pas les 3/4 de la capacité.
4. Serrez la ou les vis de couverture (s) après l'injection.

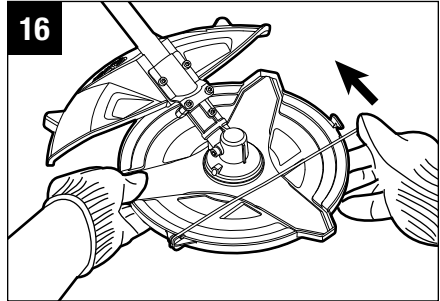
La graisse doit répondre aux exigences suivantes :

- Pénétration Grade NLGI : NLGI-1.
- Type d'épaississeur : Ester
- Plage de températures de fonctionnement recommandée : -40° C à 180° C / -40° F à 356° F
- En outre, la graisse doit également présenter d'excellentes propriétés de démarrage à basse température, d'EP, de cisaillement mécanique, de résistance à l'abrasion et de stabilité oxydative.



TRANSPORT ET RANGEMENT

- Si la lame à trois dents est installée, placez toujours sa gaine sur la lame avant de ranger ou de transporter la machine. Faites attention de ne pas toucher les dents tranchantes de la lame (Fig. 16).
- Nettoyez soigneusement la machine avant de la ranger.
- Rangez la machine à l'intérieur, à un endroit sec qui est hors de portée des enfants.
- Tenez-le à distance des agents corrosifs tels que des produits chimiques de jardins et des sels pour faire fondre la glace.



RECHERCHE DE LA CAUSE DES PROBLÈMES

PROBLÈME	CAUSE	SOLUTION
La machine ne démarre pas ou cesse de fonctionner.	<ul style="list-style-type: none"> ■ Le bloc-piles n'est pas attaché à la machine. ■ Il n'y a pas de contact électrique entre la machine et le bloc-piles. ■ Le bloc-piles est déchargé. ■ Le levier de verrouillage en position d'arrêt et l'interrupteur à gâchette ne sont pas enfoncés en même temps. ■ La pile est trop chaude. Voir le chapitre intitulé « Protection contre les températures élevées de la pile ». ■ La débroussailleuse est trop chaude. Voir le chapitre intitulé « Protection contre les températures élevées de la machine ». ■ Le moteur est en état de surcharge. Voir le chapitre intitulé « Protection contre les surcharges de la machine ». 	<ul style="list-style-type: none"> ■ Attachez le bloc-piles à la machine. ■ Retirez les piles, inspectez les contacts et réinstallez le bloc-piles jusqu'à ce qu'il s'enclenche en place. ■ Chargez le bloc-piles. ■ Déplacez le levier de verrouillage en position d'arrêt vers le haut et appuyez en même temps sur l'interrupteur à gâchette. ■ Retirez le bloc-piles et refroidissez-le jusqu'à ce que sa température descende en dessous de 67° C / 152° F. ■ Retirez le bloc-piles et refroidissez le débroussailleuses jusqu'à ce que sa température descende en dessous de 80° C / 176° F. ■ Le moteur pourra recommencer à fonctionner dès que la charge aura été retirée. Pour un travail continu, diminuez la charge sur la débroussailleuse, et évitez de couper des arbustes lourds/ lignifiés, ou d'utiliser un fil de coupe surdimensionné (lorsque la machine est utilisée comme taille-bordure/ coupe-herbe).

PROBLÈME	CAUSE	SOLUTION
Vibrations ou bruit excessif.	<ul style="list-style-type: none"> ■ Il ne reste presque plus de graisse dans la boîte à engrenages. 	<ul style="list-style-type: none"> ■ Lubrifiez les engrenages d'entraînement dans la boîte à engrenages, reportez-vous à la section intitulée « LUBRIFICATION DES ENGRENAGES D'ENTRAÎNEMENT » de ce mode d'emploi.
Lors de la coupe, la tête du taille-bordure/coupe-herbe ne fait pas avancer le fil.	<ul style="list-style-type: none"> ■ De l'herbe empêche l'arbre du moteur ou la tête du taille-bordure/coupe-herbe de fonctionner normalement. ■ Il ne reste pas assez de fil sur la bobine. ■ Le fil est emmêlé dans la tête du taille-bordure/coupe-herbe. ■ Le fil est trop court. 	<ul style="list-style-type: none"> ■ Arrêtez la machine, retirez la pile et nettoyez soigneusement l'arbre du moteur et la tête du taille-bordure/coupe-herbe. ■ Retirez la pile et insérez un nouveau fil de coupe en suivant les instructions de la section intitulée « REMPLACEMENT DU FIL » dans le mode d'emploi d'EGO pour le kit AH3810. ■ Retirez la pile, rechargez le fil de coupe, suivez les instructions de la section intitulée « REMPLACEMENT DU FIL » dans le mode d'emploi d'EGO pour le kit AH3810. ■ Retirez la pile et tirez sur les fils tout en enfonçant et relâchant alternativement la tête à alimentation par à-coups.
Lors de la coupe, de l'herbe s'enroule autour de la tête du taille-bordure/coupe-herbe.	<ul style="list-style-type: none"> ■ Coupe d'herbes hautes au niveau du sol. 	<ul style="list-style-type: none"> ■ Coupez l'herbe haute de haut en bas, en ne coupant pas plus de 20 cm / 8 po à la fois afin d'éviter qu'elle ne s'accumule autour de l'outil.
Lors de la coupe, la lame de coupe du fil située sur le dispositif de protection ne peut pas couper le fil.	<ul style="list-style-type: none"> ■ La lame de coupe du fil s'est émoussée. 	<ul style="list-style-type: none"> ■ Affûtez la lame pour couper le fil avec une lime ou remplacez-la par une nouvelle lame.

GARANTIE LIMITÉE D'EGO

CONDITIONS ET DURÉE DE LA POLITIQUE DE GARANTIE

Chervon North America, Inc. (« Chervon North America ») accorde la Garantie limitée suivante pour les produits EGO à l'acheteur initial de produits EGO.

La période de garantie détaillée de chaque produit EGO est indiquée en ligne à l'adresse <http://egopowerplus.com/warranty-policy>.

Veillez contacter le Service à la clientèle d'EGO en téléphonant au 1-855-EGO-5656 (appel gratuit) à tout moment en cas de questions, si vous voulez vous prévaloir de la garantie ou si vous souhaitez obtenir une version sur papier de la garantie.

GARANTIE LIMITÉE DE SERVICE APRÈS-VENTE

Les produits EGO sont garantis contre tout défaut de matériel ou de fabrication à partir de la date d'achat au détail originale et pendant la période de garantie applicable.

Pour toute demande de garantie soumise correctement et dans les délais, si Chervon North America détermine qu'un produit est défectueux pendant la période de garantie, le produit sera réparé ou remplacé gratuitement, selon ce qui aura été déterminé par Chervon North America.

COMMENT OBTENIR DE L'ASSISTANCE DANS LE CADRE DU SERVICE APRÈS-VENTE

Pour obtenir de l'assistance dans le cadre de la garantie (pendant la période de garantie applicable), veuillez contacter le service à la clientèle d'EGO en téléphonant au **1-855-EGO-5656** (appel gratuit). Lorsque vous demandez de l'assistance dans le cadre de la garantie, vous devez présenter le reçu de vente original daté. Un centre de service après-vente agréé sera sélectionné pour évaluer et réparer le produit défectueux conformément aux conditions de garantie énoncées. Lorsque vous apportez votre produit au centre de service après-vente agréé, il se peut qu'une petite caution vous soit demandée lors du dépôt de votre outil. Cette caution est remboursable lorsque le service de réparation est considéré comme étant couvert par la garantie.

LIMITATIONS ET EXCLUSIONS SUPPLÉMENTAIRES

Cette garantie limitée ne s'applique qu'à l'acheteur initial d'un produit à un revendeur agréé EGO, et elle ne peut pas être cédée. Les produits EGO ne sont pas considérés comme défectueux et la présente garantie ne s'applique pas lorsque le défaut invoqué est imputable à une cause autre que les défauts définis ci-dessus. Cette garantie est nulle et non avenue si le produit a été utilisé à des fins de location. La présente garantie ne s'applique pas aux dommages causés par un accident, un abus, une mauvaise utilisation, une altération, une modification, une réparation non autorisée, un contact avec un liquide, un incendie, un tremblement de terre ou toute autre cause externe ; par une utilisation du produit en dehors des instructions, spécifications ou directives d'EGO ; ou par un manquement à l'entretien ou à la maintenance convenable du produit. Cette garantie ne s'applique pas non plus aux dommages esthétiques, y compris, mais sans s'y limiter, les rayures ou les bosses, ainsi qu'aux défauts causés par l'usure normale ou autrement dus au vieillissement normal du produit.

CETTE GARANTIE EXPRESSE EST DONNÉE EN LIEU ET PLACE DE TOUTE AUTRE GARANTIE, EXPRESSE OU IMPLICITE, Y COMPRIS, MAIS SANS S'Y LIMITER, TOUTE GARANTIE DE QUALITÉ MARCHANDE OU D'ADÉQUATION À UN USAGE PARTICULIER, QUI EST REJETÉE. Toute garantie implicite, y compris la garantie de qualité marchande ou d'adéquation à un usage particulier qui ne peut être rejetée en vertu de la loi de l'État ou de la province est limitée à la période de garantie applicable définie au début de cet article. Le seul et unique recours en rapport avec l'achat, l'installation, l'utilisation et/ou la performance des produits EGO est la réparation ou le remplacement du produit selon la décision de Chervon North America. La responsabilité maximale de Chervon North America ne dépassera en aucun cas le prix d'achat payé pour le produit. CHERVON NORTH AMERICA NE SERA PAS RESPONSABLE ENVERS L'UTILISATEUR OU TOUTE AUTRE PERSONNE DES DOMMAGES CONSÉCUTIFS, ACCIDENTELS, SPÉCIAUX, EXEMPLAIRES, INDIRECTS OU PUNITIFS RÉSULTANT DE L'UTILISATION DES PRODUITS, Y COMPRIS, MAIS SANS S'Y LIMITER, LES PRÉJUDICES CORPORELS, LA MORT, LES DOMMAGES MATÉRIELS, LA PERTE DE BÉNÉFICES OU TOUT AUTRE DOMMAGE ÉCONOMIQUE. Cette garantie vous confère des garanties juridiques particulières, et vous pouvez aussi avoir d'autres droits, qui varient selon l'État ou la province. Étant donné que certains États et certaines provinces ne permettent pas de limitations quant à la durée d'une garantie implicite ou ne permettent pas l'exclusion ou la limitation des dommages indirects ou secondaires, ou le délai de prescription pour intenter certaines actions, il est possible que les limitations contenues aux présentes ne s'appliquent pas à consommateurs dans ces États ou provinces.



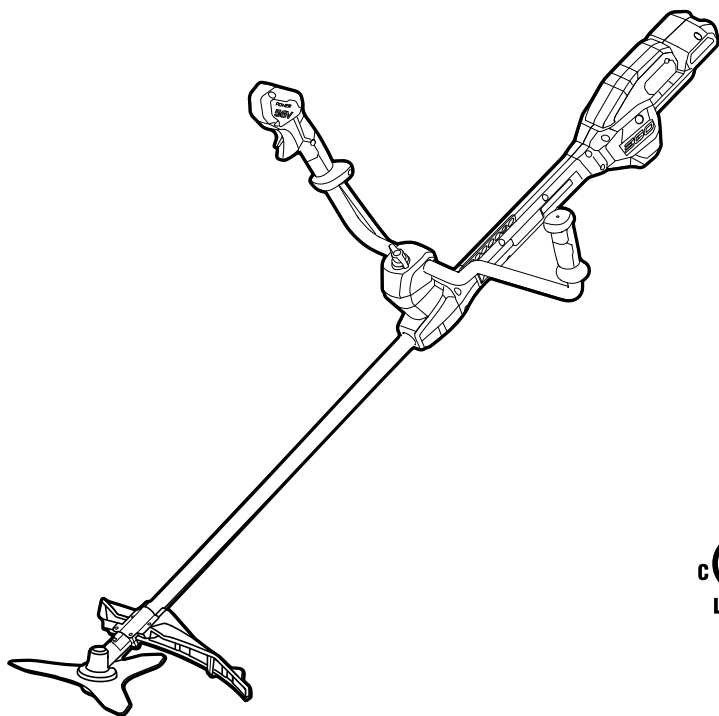
Cette garantie est soumise au droit du Michigan et doit être interprétée conformément au droit du Michigan sans tenir compte des principes de conflits de lois. Aucune action en justice ne pourra être intentée contre Chervon North America si elle n'est pas déposée dans un délai d'un (1) an après que le fondement de cette action en justice aura été connu, ou qu'il aurait dû l'être si une diligence raisonnable avait été exercée. Toute action non intentée dans les délais est réputée abandonnée.

Pour le service à la clientèle, contactez-nous en téléphonant au numéro suivant (appel gratuit) : **1-855-EGO-5656** ou **EGOPOWERPLUS.COM**.

EGO Customer Service,
769 Seward Ave. NW, Suite 102,
Grand Rapids, Michigan 49504.

EGO™

COMMERCIAL



MANUAL DE OPERACIONES

DESBROZADORA COMERCIAL DE 12 PULGADAS DE ION LI- TIO DE 56 V

NÚMERO DE MODELO BCX4500/BCX4500-FC

⚠ ADVERTENCIA: Para reducir el riesgo de lesiones, el usuario debe leer y comprender el Manual del usuario antes de usar el producto. Guarde estas instrucciones para consultarlas en el futuro.

ÍNDICE

Declaración de la FCC	101
Símbolos de seguridad	102
Instrucciones de seguridad	103-113
Introducción	114
Especificaciones	115
Lista de empaquetamiento	116
Descripción	117-118
Ensamblaje	119-125
Utilización	126-138
Mantenimiento	139-142
Resolución de problemas	143-144
Garantía	145-146

DECLARACIÓN DE LA FCC

1. Este dispositivo cumple con la Parte 15 de las Reglas de la FCC. Su utilización está sujeta a las dos condiciones siguientes:
 - 1) Este dispositivo no podrá causar interferencia perjudicial.
 - 2) Este dispositivo debe aceptar cualquier interferencia que reciba, incluyendo interferencia que pueda causar un funcionamiento no deseado.
2. Los cambios o las modificaciones no aprobados expresamente por la parte responsable del cumplimiento de la normativa podrían anular la autoridad del usuario para utilizar el equipo.

AVISO: Este equipo ha sido sometido a pruebas y se ha demostrado que cumple con los límites para un dispositivo digital de Clase B, conforme a la Parte 15 de las Reglas de la FCC. Estos límites están diseñados para proporcionar una protección razonable contra la interferencia perjudicial en una instalación doméstica. Este equipo genera, utiliza y puede irradiar energía de radiofrecuencia y, si no se instala y se utiliza de acuerdo con las instrucciones, es posible que cause interferencia perjudicial para las radiocomunicaciones. Sin embargo, no hay garantía de que no se vaya a producir interferencia en una instalación en particular. Si este equipo efectivamente causa interferencia perjudicial para la recepción de radio o televisión, lo cual se puede determinar apagando y encendiendo el equipo, se insta al usuario a que intente corregir la interferencia mediante una o más de las siguientes medidas: Reoriente o reubique la antena receptora. Aumente la separación entre el equipo y el receptor. Conecte el equipo a un tomacorriente de un circuito diferente al circuito al cual el receptor esté conectado. Para obtener ayuda, consulte con el distribuidor o con un técnico de radio y televisión experimentado.

SÍMBOLOS DE SEGURIDAD

La finalidad de los símbolos de seguridad es atraer la atención del usuario hacia posibles peligros. Los símbolos de seguridad y las explicaciones que los acompañan merecen que usted preste una atención detenida y logre una comprensión profunda. Las advertencias con símbolo no eliminan por sí mismas ningún peligro. Las instrucciones y las advertencias que dan no son sustitutos de las medidas adecuadas de prevención de accidentes.

⚠ ADVERTENCIA: Asegúrese de leer y entender todas las instrucciones de seguridad contenidas en este manual del operador, incluyendo todos los símbolos de alerta de seguridad, tales como “**PELIGRO**”, “**ADVERTENCIA**” y “**PRECAUCIÓN**”, antes de utilizar esta herramienta. Si no se siguen todas las instrucciones que se indican a continuación, es posible que el resultado sea descargas eléctricas, incendio y/o lesiones corporales graves.

SIGNIFICADO DE LOS SÍMBOLOS




⚠ SÍMBOLO DE ALERTA DE SEGURIDAD: Indica **PELIGRO**, **ADVERTENCIA** O **PRECAUCIÓN**. Es posible que se utilice en combinación con otros símbolos o pictogramas.

⚠ ¡ADVERTENCIA! La utilización de cualquier herramienta eléctrica puede hacer que se lancen objetos extraños hacia los ojos del operador, lo cual puede causar daños oculares graves. Antes de comenzar a utilizar una herramienta eléctrica, use siempre gafas de seguridad o anteojos de seguridad con escudos laterales y una careta completa cuando sea necesario. Recomendamos usar una máscara de seguridad de visión amplia sobre anteojos o gafas de seguridad estándar con escudos laterales. Use siempre protección ocular que esté marcada para cumplir con la norma ANSI Z87.1.

INSTRUCCIONES DE SEGURIDAD

Esta página muestra y describe los símbolos de seguridad que es posible que aparezcan en este producto. Lea, entienda y siga todas las instrucciones que se encuentran en la máquina antes de intentar ensamblarla y utilizarla.

	Alerta de seguridad	Indica un peligro potencial de lesiones corporales.
	Lea y entienda el manual del operador	Para reducir el riesgo de lesiones, el usuario debe leer y entender el manual del operador antes de utilizar este producto.
	Use protección ocular	Use siempre anteojos de seguridad o gafas de seguridad con escudos laterales y una careta completa cuando utilice este producto.
	Use protección de oídos	Use siempre barreras contra el sonido (tapones de oídos u orejeras) para protegerse la audición.
	Use protección de la cabeza	Use un casco de seguridad aprobado para protegerse la cabeza.
	Use protección de las manos	Protéjase las manos con guantes cuando maneje la desbrozadora y su hoja. Los guantes antideslizantes gruesos mejoran el agarre y protegen las manos.
	Use calzado antideslizante	Use calzado de seguridad antideslizante cuando utilice este equipo.
	Esté atento a los objetos lanzados al aire	Los objetos lanzados al aire pueden rebotar y causar lesiones corporales o daños materiales.

	<p>La distancia entre la máquina y los curiosos será de al menos 15 m (50 pies)</p>	<p>Asegúrese de que otras personas y los animales domésticos permanezcan al menos a 50 pies (15 m) de distancia de la desbrozadora cuando se esté utilizando.</p>
	<p>Esté atento al contragolpe de la hoja</p>	<p>Advierte al operador del peligro de contragolpe de la hoja.</p>
	<p>Desconecte la batería antes de realizar mantenimiento</p>	<p>Alerta al usuario para que desconecte la batería antes de realizar mantenimiento.</p>
	<p>Símbolo de reciclaje</p>	<p>Este producto utiliza baterías de ion litio (ion Li). Es posible que las leyes locales, estatales o federales prohíban la eliminación de las baterías en la basura ordinaria. Consulte a su autoridad local de eliminación de residuos para obtener información sobre las opciones de reciclaje y/o eliminación disponibles.</p>
	<p>Bluetooth®</p>	<p>Símbolo de Bluetooth®</p>
<p>IPX5</p>	<p>Grado de protección contra la penetración</p>	<p>Protección contra las salpicaduras de agua.</p>
<p>V</p>	<p>Voltio</p>	<p>Tensión</p>
	<p>Corriente continua (CC)</p>	<p>Tipo o característica de corriente</p>
<p>n_0</p>	<p>Velocidad máxima</p>	<p>Velocidad rotacional máxima</p>
<p>RPM</p>	<p>Revoluciones por minuto</p>	<p>Velocidad rotacional</p>
<p>cm</p>	<p>Centímetro</p>	<p>Longitud o tamaño</p>
<p>mm</p>	<p>Milímetro</p>	<p>Longitud o tamaño</p>
<p>in.</p>	<p>Pulgada</p>	<p>Longitud o tamaño</p>
<p>Ft.</p>	<p>Pies</p>	<p>Longitud o tamaño</p>
<p>kg</p>	<p>Kilogramo</p>	<p>Peso</p>
<p>lb.</p>	<p>Libra</p>	<p>Peso</p>
<p>°C</p>	<p>Grados Celsius</p>	<p>Temperatura</p>
<p>°F</p>	<p>Grados Fahrenheit</p>	<p>Temperatura</p>

ADVERTENCIAS GENERALES DE SEGURIDAD PARA HERRAMIENTAS ELÉCTRICAS ALIMENTADAS POR BATERÍAS

⚠ ADVERTENCIA: Lea todas las advertencias de seguridad, instrucciones, ilustraciones y especificaciones que se suministran con esta herramienta eléctrica. Si no se siguen todas las instrucciones que se indican a continuación, es posible que el resultado sea descargas eléctricas, incendio y/o lesiones graves.

GUARDE TODAS LAS ADVERTENCIAS E INSTRUCCIONES PARA REFERENCIA FUTURA.

El término “máquina” que se incluye en las advertencias se refiere a su máquina alimentada por la red eléctrica (alámbrica) o su máquina alimentada por baterías (inalámbrica).

SEGURIDAD EN EL ÁREA DE TRABAJO

- **Mantenga el área de trabajo limpia y bien iluminada.** Las áreas desordenadas u oscuras invitan a que se produzcan accidentes.
- **No utilice herramientas eléctricas en atmósferas explosivas, tales como las existentes en presencia de líquidos, gases o polvos inflamables.** Las herramientas eléctricas generan chispas que es posible que prendan los polvos o los vapores.
- **Mantenga alejados a los niños y los curiosos mientras esté utilizando una herramienta eléctrica.** Las distracciones pueden hacer que usted pierda el control de la herramienta.

Seguridad eléctrica

- **Los enchufes de las máquinas deben coincidir con el tomacorriente. No modifique nunca el enchufe de ninguna manera. No utilice enchufes adaptadores con máquinas conectadas a tierra (puestas a masa).** Los enchufes no modificados y los tomacorrientes coincidentes reducirán el riesgo de descargas eléctricas.
- **Evite el contacto del cuerpo con las superficies conectadas a tierra o puestas a masa, tales como tuberías, radiadores, estufas de cocina y refrigeradores.** Hay un mayor riesgo de descargas eléctricas si su cuerpo está conectado a tierra o puesto a masa.
- **No utilice la máquina en la lluvia ni en condiciones mojadas.** Es posible que la entrada de agua en la máquina aumente el riesgo de descargas eléctricas o funcionamiento incorrecto que podrían causar lesiones corporales.

- **No maltrate el cable. No utilice nunca el cable para transportar, jalar o desenchufar la herramienta eléctrica.** Mantenga el cable alejado del calor, el aceite, los bordes afilados o las piezas móviles. Los cables dañados o enredados aumentan el riesgo de descargas eléctricas.
- Cuando utilice una herramienta eléctrica a la intemperie, use un cable de extensión que sea adecuado para uso a la intemperie. La utilización de un cable de extensión adecuado para uso a la intemperie reduce el riesgo de descargas eléctricas.
- Si es inevitable utilizar una herramienta eléctrica en un lugar húmedo, utilice una fuente de alimentación protegida por un interruptor de circuito accionado por corriente de pérdida a tierra (GFCI, por sus siglas en inglés). El uso de un GFCI reduce el riesgo de descargas eléctricas.

SEGURIDAD PERSONAL

- **Manténgase alerta, fíjese en lo que está haciendo y use el sentido común cuando utilice una herramienta eléctrica. No utilice una herramienta eléctrica cuando esté cansado o bajo la influencia de drogas, alcohol o medicamentos.** Es posible que un momento de desatención mientras se estén utilizando herramientas eléctricas cause lesiones corporales graves.
- **Use equipo de protección personal.** Use siempre protección ocular. El equipo de protección, tal como una máscara antipolvo, zapatos de seguridad antideslizantes, casco o protección de la audición, utilizado según lo requieran las condiciones, reducirá las lesiones corporales.
- **Evite los arranques accidentales. Asegúrese de que el interruptor esté en la posición de apagado antes de conectar la herramienta a la fuente de alimentación y/o al paquete de batería, levantar la herramienta o transportarla.** Si se transportan herramientas eléctricas con el dedo en el interruptor o si se suministra corriente a herramientas eléctricas que tengan el interruptor en la posición de encendido se invita a que se produzcan accidentes.
- **Retire todas las llaves de ajuste o de tuerca antes de encender la herramienta eléctrica.** Es posible que una llave de ajuste o de tuerca que se deje sujeta a una pieza móvil de la herramienta eléctrica cause lesiones corporales.
- **No intente alcanzar demasiado lejos. Mantenga un apoyo de los pies y un equilibrio adecuados en todo momento.** Esto permite un mejor control de la herramienta eléctrica en situaciones inesperadas.

- **Vístase adecuadamente. No use ropa holgada ni joyas. Mantenga el pelo y la ropa alejados de las piezas móviles.** La ropa holgada, las joyas o el pelo largo pueden quedar atrapados en las piezas móviles.
- **Si se proporcionan dispositivos para la conexión de instalaciones de extracción y recolección de polvo, asegúrese de que dichos dispositivos estén conectados y se utilicen correctamente.** El uso de dispositivos de recolección de polvo puede reducir los peligros relacionados con el polvo.
- **No deje que la familiaridad obtenida del uso frecuente de las herramientas le permita volverse complaciente e ignorar los principios de seguridad de las herramientas.** Una acción descuidada puede causar lesiones graves en una fracción de segundo.

Uso y cuidado de la máquina

- **No fuerce la máquina. Utilice la máquina correcta para la aplicación que vaya a realizar.** La máquina correcta hará el trabajo mejor y de manera más segura a la capacidad nominal para la que fue diseñada.
- **No utilice la máquina si el interruptor no la enciende y apaga.** Cualquier máquina que no se pueda controlar con el interruptor es peligrosa y debe ser reparada.
- **Desconecte el enchufe de la fuente de alimentación y/o retire el paquete de batería de la máquina, si es retirable, antes de hacer cualquier ajuste, cambiar accesorios o almacenar máquinas.** Dichas medidas preventivas de seguridad reducen el riesgo de arrancar accidentalmente la máquina.
- **Guarde las máquinas inactivas fuera del alcance de los niños y no deje que las personas que no estén familiarizadas con la máquina o con estas instrucciones utilicen la máquina.** Las máquinas son peligrosas en las manos de los usuarios que no hayan recibido capacitación.
- **Realice mantenimiento de las máquinas y los accesorios. Compruebe si hay desalineación o atoramiento de las piezas móviles, rotura de piezas y cualquier otra situación que pueda afectar al funcionamiento de la máquina.** Si la máquina está dañada, haga que la reparen antes de utilizarla. Muchos accidentes son causados por máquinas que reciben un mantenimiento deficiente.
- **Mantenga las máquinas de corte afiladas y limpias.** Las máquinas de corte mantenidas adecuadamente, con bordes de corte afilados, tienen menos probabilidades de atorarse y son más fáciles de controlar.

- **Utilice la máquina, los accesorios, las brocas de la máquina, etc., de acuerdo con estas instrucciones, teniendo en cuenta las condiciones de trabajo y el trabajo que se vaya a realizar.** El uso de la máquina eléctrica para operaciones distintas a las previstas podría causar una situación peligrosa.
- **Mantenga los mangos y las superficies de agarre secos, limpios y libres de aceite y grasa.** Es posible que los mangos resbalosos y las superficies de agarre resbalosas no permitan un manejo y un control seguros de la herramienta en situaciones inesperadas.

Uso y cuidado de las máquinas a batería

- **Recargue las baterías solo con el cargador especificado por el fabricante.** Es posible que un cargador que sea adecuado para un tipo de paquete de batería cree un riesgo de incendio cuando se utilice con otro paquete de batería.
- **Utilice las herramientas eléctricas solo con paquetes de batería designados específicamente.** Es posible que el uso de cualquier otro paquete de batería cree un riesgo de lesiones e incendio.
- **Cuando el paquete de batería no se esté utilizando, manténgalo alejado de otros objetos metálicos, tales como clips sujetapapeles, monedas, llaves, clavos, tornillos u otros objetos metálicos pequeños, que puedan hacer una conexión de un terminal al otro.** Si se cortocircuitan juntos los terminales de la batería, es posible que se causen quemaduras o un incendio.
- **En condiciones abusivas es posible que se expulse líquido de la batería; evite el contacto. Si se produce contacto accidentalmente, enjuáguese con agua. Si el líquido entra en contacto con los ojos, obtenga además ayuda médica.** Es posible que el líquido expulsado de la batería cause irritación o quemaduras.
- **No utilice un paquete de batería o una herramienta que estén dañados o modificados.** Es posible que las baterías dañadas o modificadas exhiban un comportamiento imprevisible que cause incendio, explosión o riesgo de lesiones.
- **No exponga un paquete de batería o una herramienta a un fuego o a una temperatura excesiva.** Es posible que la exposición a un fuego o a una temperatura superior a 265 °F (130 °C) cause una explosión.
- **Siga todas las instrucciones de carga y no cargue el paquete de batería ni la herramienta fuera del intervalo de temperatura especificado en las instrucciones.** Es posible que la realización de la carga de manera inadecuada o a temperaturas que estén fuera del intervalo especificado dañe la batería y aumente el riesgo de incendio.

Servicio de ajustes y reparaciones

- **Haga que su máquina reciba servicio de ajustes y reparaciones por un técnico de reparaciones calificado que utilice únicamente piezas de repuesto idénticas.** Esto garantizará que se mantenga la seguridad de la máquina.
- **No haga nunca servicio de ajustes y reparaciones de paquetes de batería dañados.** El servicio de ajustes y reparaciones de los paquetes de batería deberá ser realizado solo por el fabricante o por proveedores de servicio autorizados.

Advertencias de seguridad para la orilladora de hilo y la desbrozadora

- **No utilice la máquina en malas condiciones climáticas, especialmente cuando haya riesgo de rayos.** Esto reduce el riesgo de ser alcanzado por rayos.
- **Inspeccione minuciosamente el área para comprobar si hay animales salvajes en el lugar donde se vaya a utilizar la máquina.** Es posible que los animales salvajes sean lesionados por la máquina durante su utilización.
- **Inspeccione minuciosamente el área donde se va a utilizar la máquina y retire todas las piedras, palos, alambres, huesos y otros objetos extraños.** Los objetos lanzados al aire pueden causar lesiones corporales.
- **Antes de utilizar la máquina, inspeccione siempre visualmente el cortador o la hoja y el ensamblaje del cortador o de la hoja para asegurarse de que no estén dañados.** Las piezas dañadas aumentan el riesgo de lesiones.
- **Siga las instrucciones para cambiar accesorios.** Si las tuercas o los pernos que sujetan la hoja están apretados incorrectamente, es posible que dañen la hoja o hagan que esta se desprenda.
- **La velocidad rotacional nominal de la hoja debe ser al menos igual a la velocidad rotacional máxima marcada en la máquina.** Las hojas que giren más rápidamente que su velocidad rotacional nominal pueden romperse en pedazos y ser lanzadas al aire.
- **Use protección ocular, de oídos, de la cabeza y de las manos.** El equipo de protección adecuado reducirá las lesiones corporales por causa de residuos lanzados al aire o contacto accidental con el hilo de corte o la hoja.
- **Mientras esté utilizando la máquina, use siempre calzado antideslizante y protector. No utilice la máquina cuando esté descalzo o usando sandalias abiertas.** Esto reduce la posibilidad de lesiones en los pies por causa del contacto con un cortador, un hilo o una hoja en movimiento.

- **Mientras esté utilizando la máquina, use siempre pantalones largos.** La piel al descubierto aumenta la probabilidad de lesiones por causa de objetos lanzados al aire.
- **Mantenga alejados a los curiosos mientras esté utilizando la máquina.** Los residuos lanzados al aire pueden causar lesiones corporales graves.
- **Use siempre las dos manos cuando utilice la máquina.** Al agarrar la máquina con ambas manos se evitará la pérdida de control.
- **Agarre la máquina solo por las superficies de agarre con aislamiento, porque es posible que el hilo de corte o la hoja entre en contacto con cables ocultos.** Si el hilo de corte o las hojas entran en contacto con un cable que tenga corriente, es posible que eso haga que las partes metálicas de la máquina que estén al descubierto tengan corriente, lo cual podría causar una descarga eléctrica al operador.
- **Mantenga siempre un apoyo adecuado de los pies y utilice la máquina solo cuando esté de pie en el piso.** Es posible que las superficies resbalosas o inestables causen una pérdida de equilibrio o de control de la máquina.
- **No utilice la máquina en pendientes excesivamente inclinadas.** Esto reduce el riesgo de pérdida de control, resbalamiento y caída, lo cual es posible que tenga como resultado lesiones corporales.
- **Cuando trabaje en pendientes, esté siempre seguro del apoyo de los pies, trabaje siempre transversalmente a la cara de las pendientes, nunca hacia arriba o hacia abajo, y tenga precaución extrema cuando cambie de dirección.** Esto reduce el riesgo de pérdida de control, resbalamiento y caída, lo cual es posible que tenga como resultado lesiones corporales.
- **Mantenga todas las partes del cuerpo alejadas del cortador, el hilo o la hoja cuando la máquina esté en funcionamiento.** Antes de arrancar la máquina, asegúrese de que el cortador, el hilo o la hoja no estén en contacto con nada. Es posible que un momento de desatención mientras se esté utilizando la máquina tenga como resultado lesiones a usted mismo o a otras personas.
- **No utilice la máquina por encima de la altura de la cintura.** Esto ayuda a prevenir un contacto accidental con el cortador o la hoja y permite un mejor control de la máquina en situaciones inesperadas.
- **Cuando corte arbustos o retoños que estén bajo tensión, esté alerta al efecto de resorte.** Al liberarse la tensión de las fibras de madera, es posible que el arbusto o el retoño golpee al operador y/o lance la máquina fuera de control.

- **Tenga precaución extrema cuando corte arbustos y retoños.** Es posible que el material delgado se enganche en la hoja y sea lanzado hacia usted o que lo jale a usted y lo desequilibre.
- **Mantenga el control de la máquina y no toque los cortadores, los hilos o las hojas y otras piezas móviles peligrosas mientras aún estén en movimiento.** Esto reduce el riesgo de lesiones por causa de las piezas móviles.
- **Transporte la máquina con su interruptor en la posición de apagado y alejada del cuerpo.** Un manejo adecuado de la máquina reducirá la probabilidad de contacto accidental con un cortador, un hilo o una hoja en movimiento.
- **Utilice solo cortadores, hilos, cabezales de corte y hojas de repuesto especificados por el fabricante.** Es posible que las piezas de repuesto incorrectas aumenten el riesgo de rotura y lesiones.
- **Cuando despeje material atorado o haga servicio de ajustes y reparaciones de la máquina, asegúrese de que el interruptor esté en la posición de apagado y que el paquete de batería se haya retirado.** Es posible que un arranque accidental de la máquina mientras se esté despejando material atorado o haciendo servicio de ajustes y reparaciones tenga como resultado lesiones corporales graves.
- **Cuando transporte o almacene la máquina, encaje siempre la cubierta sobre las hojas metálicas.** Un manejo correcto de la máquina reducirá la probabilidad de contacto accidental con la hoja.
- **Daños a la orilladora:** Si golpea un objeto extraño con la orilladora o si esta se engancha, pare de inmediato la máquina, compruebe si tiene daños y haga que todos los daños sean reparados antes de intentar cualquier utilización adicional. No utilice la máquina con un protector roto o una bobina rota.
- **Si el equipo comienza a vibrar anormalmente, pare el motor y realice una comprobación inmediata para determinar la causa. Generalmente, la vibración es una advertencia de problemas.** Es posible que una hoja floja vibre, se agriete, se rompa o se desprenda del cortador, lo cual es posible que cause lesiones graves o mortales. Asegúrese de que el aditamento de corte esté fijo adecuadamente en la posición correcta. Si el cabezal se afloja después de fijarlo en la posición correcta, reemplácelo de inmediato. No utilice nunca una orilladora con un aditamento de corte flojo.

- **Utilice la máquina solo con los paquetes de batería y los cargadores que se indican a continuación**

PAQUETE DE BATERÍAS	CARGADOR
BA1400, BA1400-FC, BA2800, BA2800-FC, BA4200, BA4200-FC, BA1400T, BA1400T-FC, BA2242T, BA2242T-FC, BA2800T, BA2800T-FC, BA3360T, BA3360T-FC, BA4200T, BA4200T-FC, BA5600T, BA5600T-FC, BA6720T, BA6720T-FC	CH2100, CH2100-FC, CH3200, CH3200-FC, CH5500, CH5500-FC, CH2800D, CH2800D-FC, CH7000, CH7000-FC
BAX1501/BAX1501-FC	CHX5500/CHX5500-FC

Causas del contragolpe de la hoja y advertencias relacionadas

El contragolpe de la hoja es un movimiento repentino lateral, hacia delante o hacia detrás de la máquina, el cual es posible que ocurra cuando la hoja se atore o se enganche en un objeto, tal como un retoño o un tocón de árbol. Puede ser lo suficientemente violento como para hacer que la máquina y/o el operador sean propulsados en cualquier dirección y posiblemente perder el control de la máquina.

El contragolpe de la hoja y sus peligros relacionados se pueden evitar tomando las precauciones adecuadas tal como se indica a continuación.

- **Mantenga un agarre firme con las dos manos sobre la máquina y posicione los brazos para resistir el contragolpe de la hoja. Posicione el cuerpo en el lado izquierdo de la máquina.** El contragolpe de la hoja puede aumentar el riesgo de lesiones debido a que la máquina se mueva inesperadamente. El contragolpe de la hoja puede ser controlado por el operador si se toman las precauciones adecuadas.
- **Si la hoja se atora, o cuando se interrumpa un corte por cualquier motivo, apague la máquina y manténgala inmóvil en el material hasta que la hoja se detenga por completo. Mientras la hoja se esté atorando, no intente nunca retirar la máquina del material ni jalar la máquina hacia atrás mientras la hoja esté en movimiento, ya que de lo contrario es posible que se produzca contragolpe de la hoja.** Investigue y tome medidas correctivas para eliminar la causa de atoramiento de la hoja.
- **No utilice hojas despuntadas o dañadas.** Las hojas despuntadas o dañadas aumentan el riesgo de atorarse o engancharse en un objeto, lo cual tendrá como resultado contragolpe de la hoja.

- **Mantenga siempre una buena visibilidad del material que se esté cortando.** Es más probable que se produzca contragolpe de la hoja en las áreas en las que sea difícil ver el material que se esté cortando.
- **Si se le acerca otra persona mientras esté utilizando la máquina, apague la máquina.** Hay un mayor riesgo de lesiones a otras personas que sean golpeadas por la hoja en movimiento en el caso de contragolpe de la hoja.

¡GUARDE ESTAS INSTRUCCIONES!

INTRODUCCIÓN

Felicitaciones por su selección de la nueva desbrozadora COMERCIAL EGO de ion litio de 56 V. Esta desbrozadora ha sido diseñada, concebida y fabricada para ofrecerle a usted la mejor confiabilidad y el mejor rendimiento posibles.


En caso de que tenga algún problema que no pueda resolver fácilmente, sírvase contactar al centro de servicio al cliente de EGO llamando al 1-855-EGO-5656.

Este manual contiene información importante sobre el ensamblaje, la utilización y el mantenimiento seguros de su producto. Léalo detenidamente antes de utilizar el producto. Tenga este manual al alcance de la mano para poder consultarlo en cualquier momento.

NÚMERO DE SERIE _____ FECHA DE COMPRA _____

USTED DEBERÍA ANOTAR TANTO EL NÚMERO DE SERIE COMO LA FECHA DE COMPRA Y GUARDARLOS EN UN LUGAR SEGURO PARA REFERENCIA FUTURA.

ESPECIFICACIONES

Tensión	56V 
n_0	1: 3500 /min 2: 4500 /min 3: 5700 /min
Mecanismo de corte	Hoja metálica de 3 dientes
Franja de corte	12 pulgadas (30 cm)
Grado de protección contra la penetración	IPX5* (Protección contra las salpicaduras de agua)
Temperatura de funcionamiento recomendada	32 – 104 °F (0 - 40 °C)
Temperatura de almacenamiento recomendada	-4 – 158 °F (-20 - 70 °C)
Peso (sin paquete de batería)	12 lbs (5.4 kg)

* **NOTA:** La calificación IPX5 se basa en que la máquina y la batería se utilicen juntas como un sistema.

Accesorios recomendados

NOMBRE DE LA PIEZA	NÚMERO DE MODELO
Hoja de desbrozadora	ABB 1203-1

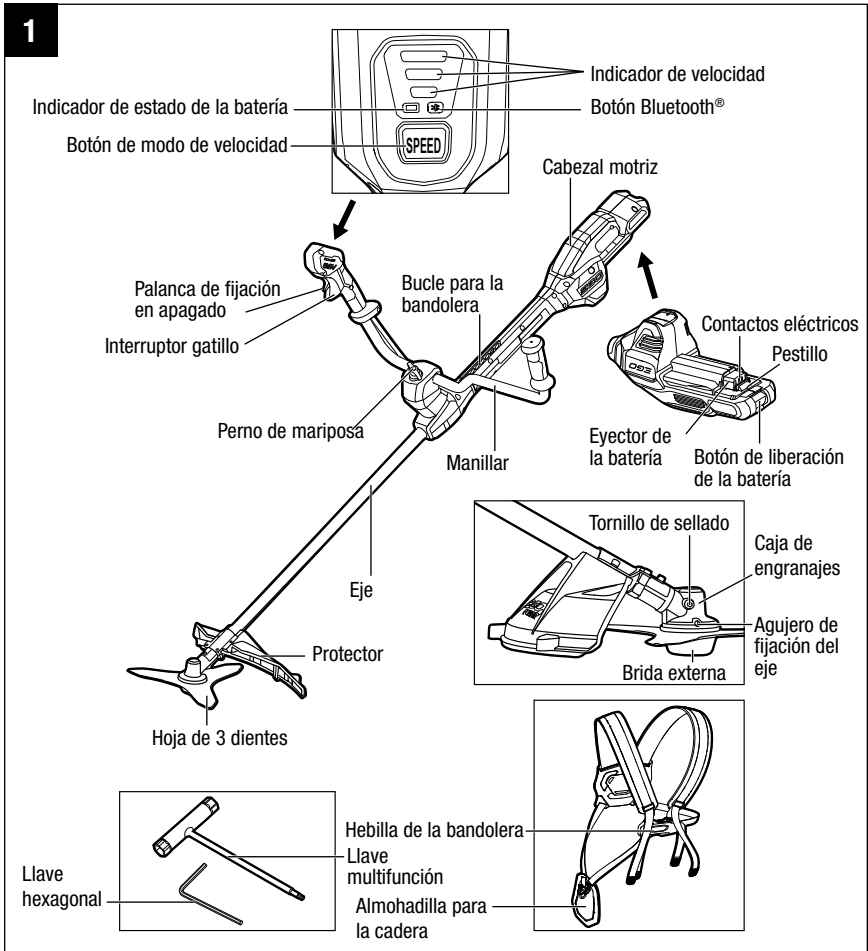
LISTA DE EMPAQUETAMIENTO

NOMBRE DE LA PIEZA	CANTIDAD
Desbrozadora	1
Conjunto de hoja y funda de la hoja	1
Protector	1
Bandolera doble	1
Llave hexagonal (4 mm)	1
Llave multifunción	1
Manual del operador	1

DESCRIPCIÓN

CONOZCA SU DESBROZADORA (Fig. 1)

El uso seguro de este producto requiere entender la información que se encuentra en la máquina y en este manual del operador, así como tener conocimiento del proyecto que se esté intentando realizar. Antes de utilizar este producto, familiarícese con todas las características de funcionamiento y todas las normas de seguridad.



CABEZAL MOTRIZ

La parte de la herramienta que contiene el motor eléctrico y los contactos eléctricos para realizar la conexión del paquete de batería.

MANILLAR AJUSTABLE

Para controlar fácilmente la máquina durante el corte.

PROTECTOR

Reduce el riesgo de lesiones causadas por objetos extraños que sean lanzados hacia atrás, hacia el operador, y por el contacto con el aditamento de corte.

HOJA DE 3 DIENTES

Accesorio de corte para desbrozar.

FUNDA DE LA HOJA

La funda de la hoja evita que el operador entre en contacto con la hoja afilada cuando la herramienta no se esté utilizando. También ayuda a evitar que la hoja de la desbrozadora sea mellada o dañada cuando la herramienta esté siendo transportada o almacenada.

ALAMBRE DE SUJECIÓN

Para fijar la funda de la hoja sobre la hoja.

INTERRUPTOR GATILLO / PALANCA DE FIJACIÓN EN APAGADO

Enciende y apaga la máquina; la palanca de bloqueo debe moverse hacia arriba hasta que esté completamente encaja en la ranura antes de presionar el gatillo.

BOTÓN DE MODO DE VELOCIDAD

Cambia entre los modos de velocidad alta, intermedia y baja para diferentes tareas que se vayan a realizar.

INDICADOR DE ESTADO DE LA BATERÍA

Indica el nivel de carga del paquete de batería y el estado de funcionamiento de la batería.

BOTÓN BLUETOOTH®

Para establecer la conexión Bluetooth® e indicar el estado de la conexión.

La marca denominativa y los logotipos Bluetooth® son marcas registradas pertenecientes a Bluetooth SIG, Inc., y cualquier uso de dichas marcas por EGO es bajo licencia.

ENSAMBLAJE

⚠ ADVERTENCIA: Si alguna de las piezas está dañada o falta, no utilice este producto hasta que las piezas hayan sido reemplazadas. El uso de este producto con piezas dañadas o si le faltan piezas podría tener como resultado lesiones corporales graves.

⚠ ADVERTENCIA: No intente modificar este producto ni crear accesorios no recomendados para utilizarse con esta desbrozadora. Cualquiera de dichas alteraciones o modificaciones constituye un uso incorrecto y podría provocar una situación peligrosa que cause lesiones corporales posiblemente graves.

⚠ ADVERTENCIA: Use siempre guantes gruesos cuando esté haciendo cualquier mantenimiento en la hoja. Tenga cuidado con la hoja y protéjase las manos para que no sean lesionadas por la hoja.

⚠ ADVERTENCIA: Para prevenir arranques accidentales que podrían causar lesiones corporales graves, retire siempre el paquete de batería de la máquina cuando ensamble piezas, haga ajustes, realice limpieza o cuando la máquina no se esté utilizando.

DESEMPAQUETADO

Este producto requiere ensamblaje.

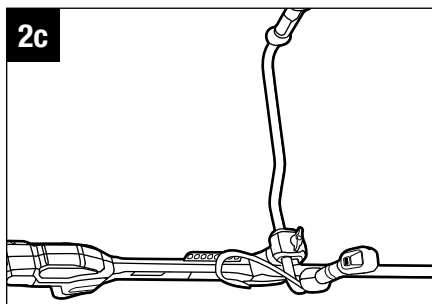
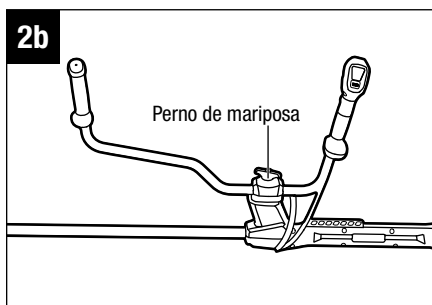
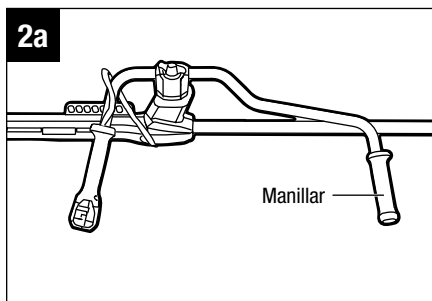
- Saque cuidadosamente el producto y todos los accesorios de la caja. Asegúrese de que todos los artículos indicados en la lista de empaquetamiento estén incluidos.
- Inspeccione minuciosamente la herramienta para asegurarse de que no se hayan producido roturas o daños durante el envío.
- No deseche el material de empaquetamiento hasta que haya inspeccionado minuciosamente y utilizado satisfactoriamente la herramienta.
- Si alguna de las piezas está dañada o falta, sírvase devolver el producto al lugar de compra.

AJUSTE DEL MANILLAR

⚠ ADVERTENCIA: Retire siempre el paquete de batería del producto cuando ensamble piezas, haga ajustes, realice limpieza o cuando el producto no se esté utilizando.

1. Durante el envío, el manillar está montado en el eje de la manera que se muestra en la Fig. 2a.
2. Afloje el perno de mariposa ubicado en el soporte y luego levante el manillar 180° alrededor del eje de la manera que se muestra en la Fig. 2b.
3. Gire el manillar 90° **EN SENTIDO CONTRARIO AL DE LAS AGUJAS DEL RELOJ** para hacer que esté orientado hacia el cortador (Fig. 2c).
4. Apriete el perno de mariposa para fijar el manillar en la posición correcta.

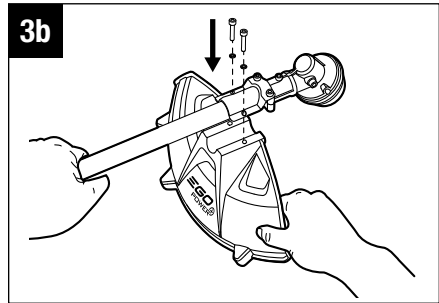
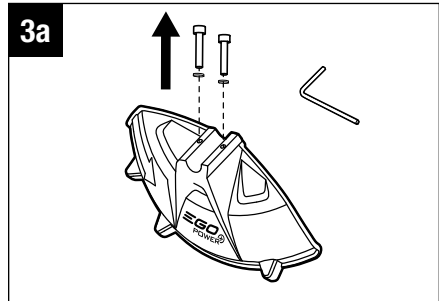
⚠ ADVERTENCIA: Riesgo de lesiones corporales graves. Arranque la herramienta solo cuando el manillar esté ajustado perpendicular a la pértiga y el operador lo esté agarrando con las dos manos.



MONTAJE DEL PROTECTOR

⚠ ADVERTENCIA: Para reducir el riesgo de lesiones a las personas, no utilice la unidad sin el protector en la posición correcta.

1. Afloje los dos pernos ubicados en el protector con la llave hexagonal suministrada; retire los pernos y las arandelas elásticas del protector (Fig. 3a).
2. Levante el cabezal de la orilladora y oriéntelo hacia abajo. Alinee los dos agujeros de montaje ubicados en el protector con los dos agujeros de ensamblaje ubicados en la base del eje y luego fije el protector sobre la base del eje con los dos tornillos y las dos arandelas elásticas (Fig. 3b).

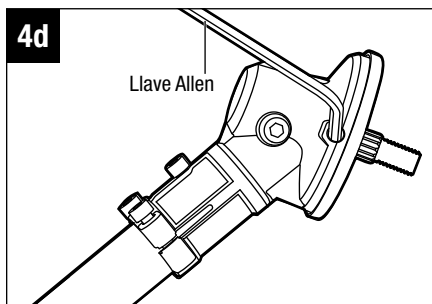
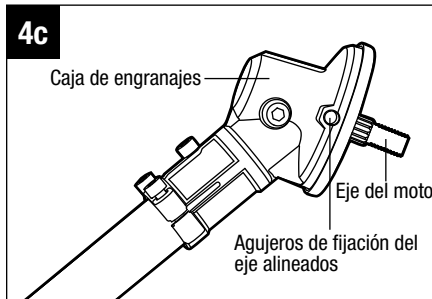
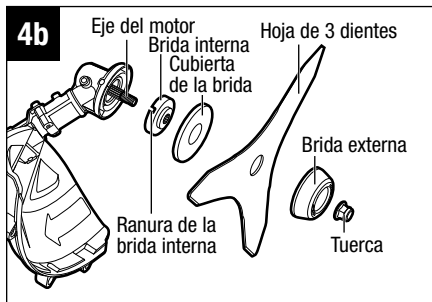
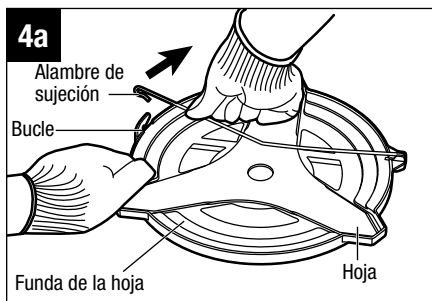


AVISO: Hay dos tipos de protectores compatibles con esta máquina. El protector con ícono solo se puede utilizar con el cabezal de la orilladora de hilo y no se debe utilizar con el cabezal de la desbrozadora. Tenga cuidado de seleccionar el protector correcto cuando utilice la máquina

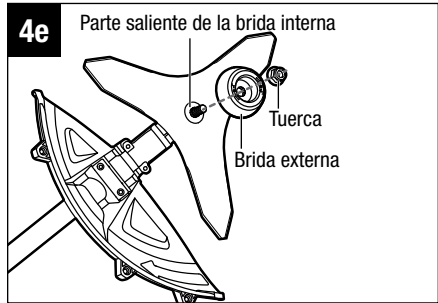
AVISO: El protector de la orilladora de hilo no está incluido (EGO AD4500, vendido por separado).

MONTAJE DE LA HOJA

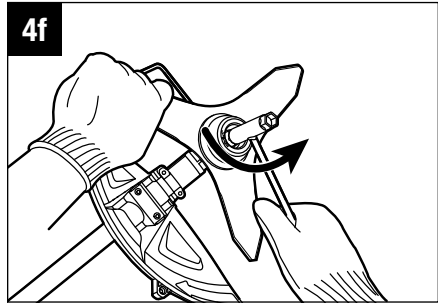
1. La hoja se envía con una funda. Antes de montar la hoja en la desbrozadora, la funda se deberá retirar soltando el alambre de sujeción del bucle ubicado en la funda (Fig. 4a).
2. Familiarícese con el ensamblaje del cabezal de corte mostrado en la Fig. 4b. Antes de montar la hoja, asegúrese de que la brida interna y la cubierta de la brida estén posicionadas correctamente en el eje del motor (Fig. 4b).
3. Rote el eje del motor para alinear la ranura de la brida interna con el agujero de acceso de fijación del eje ubicado en la caja de engranajes (Fig. 4c).
4. Inserte la llave hexagonal incluida en los agujeros alineados para que actúe como cierre del eje (Fig. 4d).



5. Monte la hoja en el eje del motor, asegurándose de que la superficie de la hoja esté al ras con la superficie de la parte saliente de la brida interna. Monte la brida externa y la tuerca (Fig. 4e). Apriete la tuerca con los dedos en SENTIDO CONTRARIO AL DE LAS AGUJAS DEL RELOJ.



6. Posicione la caja de engranajes contra una superficie sólida para tener soporte. Agarre con una mano el eje de la desbrozadora y agarre con la otra mano la llave multifunción para apretar la tuerca siguiendo el ícono de flecha direccional marcado en la brida externa (Fig. 4f).

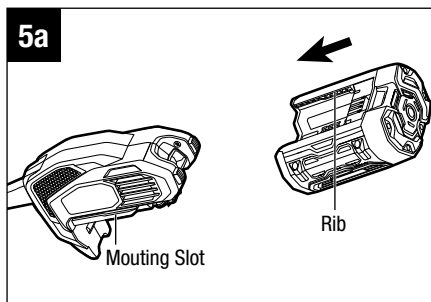


INSTALACIÓN/DESINSTALACIÓN DE LA BATERÍA

NOTA: Cargue completamente el paquete de batería antes del primer uso.

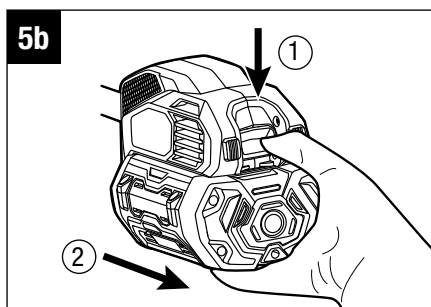
Para instalar

Alinee las costillas de la batería con las ranuras de montaje ubicadas en el puerto de la batería de la máquina y deslice el paquete de batería hasta que se acople a presión en la posición correcta (Fig. 5a).



Para desinstalar

Esté atento siempre a la ubicación de los pies, los niños o los animales domésticos cuando presione el botón de liberación de la batería. Se podrían producir lesiones graves si el paquete de batería se cae. No retire NUNCA el paquete de batería en una ubicación elevada.



1. Presione el botón de liberación de la batería y el paquete de batería se desacoplará del pestillo (Fig. 5b).
2. Agarre el paquete de batería y retírelo de la máquina.

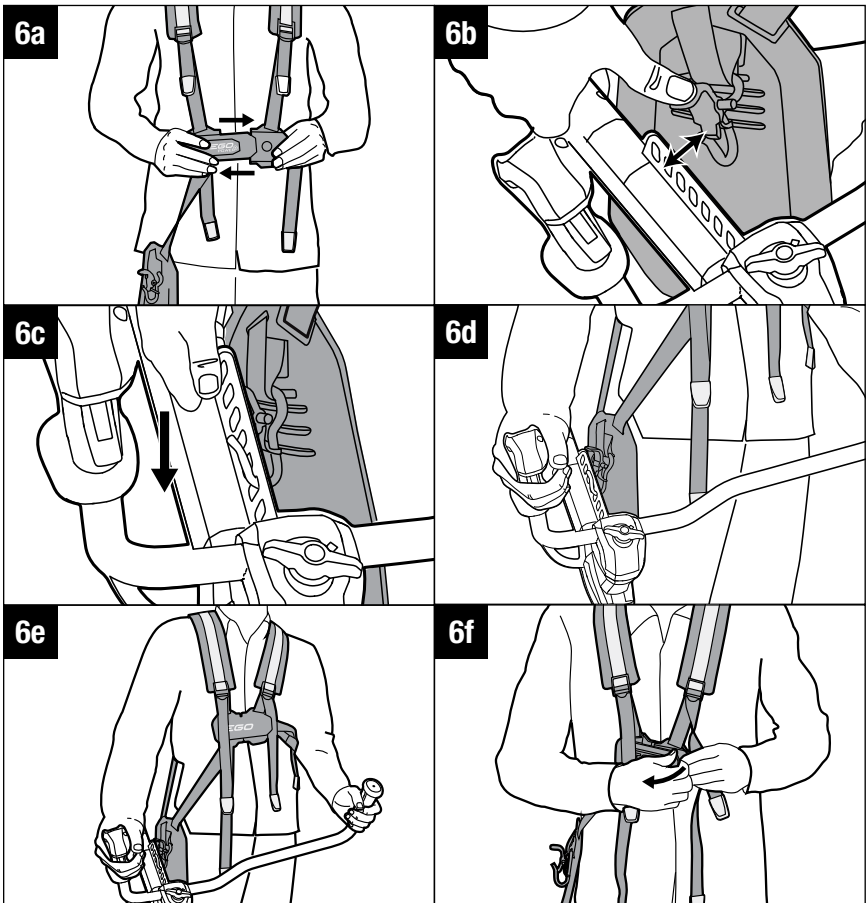
MONTAJE DE LA BANDOLERA DOBLE

1. Póngase la bandolera doble sobre el cuerpo e inserte las dos partes de la hebilla de la bandolera una en la otra hasta que se oiga un clic (Fig. 6a).
2. Inserte el gancho del mosquetón de la almohadilla para la cadera en el agujero del bucle para la bandolera fijo en el eje y presione suavemente hacia abajo dicho eje (Fig. 6b y 6c y 6d).
3. Agarre la desbrozadora con las dos manos en el lado derecho del cuerpo (Fig. 6e). La hoja debería estar paralela al terreno a una distancia de corte adecuada sin necesidad de que el operador se doble hacia delante.
4. La desbrozadora se puede liberar de dos maneras: libere la hebilla de la bandolera (Fig. 6f) o presione el mosquetón de la bandolera y retire el gancho del bucle fijo en el eje (Fig. 6b).

⚠ ADVERTENCIA: Cuando se produzca una emergencia, quítese inmediatamente la bandolera del hombro, independientemente de cómo esté colocada. Liberar la hebilla de la bandolera (Fig. 6f) y quitarse la bandolera de los hombros con las dos manos a cada lado es un método de liberación rápida.

⚠ ADVERTENCIA: Usted no deberá utilizar simultáneamente la bandolera sencilla y la bandolera doble.

AVISO: Cuando tenga puesta la bandolera, ningún otro elemento posible interferirá con la liberación ni la remoción de la bandolera.



UTILIZACIÓN

⚠ ADVERTENCIA: No deje que la familiaridad con este producto le haga descuidarse. Recuerde que una fracción de segundo de descuido es suficiente para causar lesiones graves.

⚠ ADVERTENCIA: Use siempre protección ocular con escudos laterales que esté marcada para cumplir con la norma ANSI Z87.1, junto con protección de la audición. Si no se hace así, el resultado podría ser que se lancen objetos hacia los ojos del operador y otras posibles lesiones graves.

⚠ ADVERTENCIA: No utilice ningún aditamento o accesorio no recomendado por el fabricante de este producto. La utilización de aditamentos o accesorios no recomendados puede causar lesiones corporales graves.

⚠ ADVERTENCIA: Para prevenir lesiones corporales graves, retire el paquete de batería de la máquina antes de hacer servicio de ajustes y reparaciones, realizar limpieza, cambiar aditamentos o retirar material de la unidad.

APLICACIONES

Usted puede utilizar este producto para el propósito que se indica a continuación:

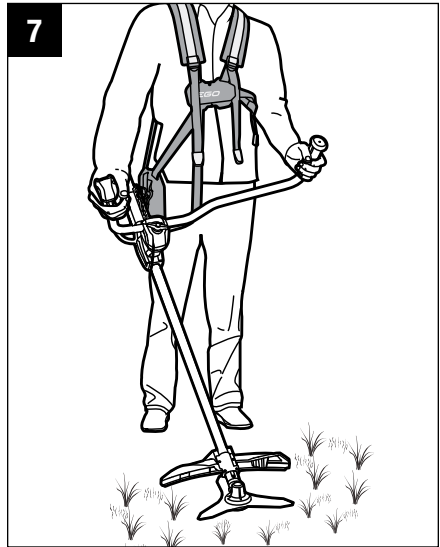
- Con la hoja metálica de 3 dientes (configuración original): Corte de pasto, maleza, brotes silvestres y matorral, y aclareado de rodales jóvenes con un diámetro máximo del tallo de 3/4 de pulgada (2 cm).
- Con el cabezal de la orilladora (vendido por separado): Orillado de pasto y maleza alrededor de porches, cercas y terrazas.

AVISO: La máquina está diseñada para utilizarse solo para su propósito previsto. Cualquier otro uso se considera que es un caso de uso incorrecto.

CÓMO AGARRAR LA DESBROZADORA (Fig. 7)

⚠ ADVERTENCIA: Vístase adecuadamente para reducir el riesgo de lesiones cuando utilice esta herramienta. No se ponga ropa holgada ni joyas. Use protección ocular y de los oídos/la audición. Use pantalones largos gruesos, botas y guantes. No use pantalones cortos ni sandalias, ni vaya descalzo.

Agarre la desbrozadora con las dos manos en el lado derecho del cuerpo. Mantenga un agarre firme con las dos manos mientras utiliza la máquina. La hoja o el cabezal de la orilladora deberán estar paralelos al terreno a una distancia de corte adecuada sin necesidad de que el operador se doble hacia delante.



UTILIZACIÓN DE LA DESBROZADORA

Para cortar brotes silvestres y matorral, baje hasta el terreno la hoja mientras rota, para lograr un efecto rebanador. Utilice la desbrozadora como una guadaña (barra con ella hacia la derecha y hacia la izquierda) a nivel del terreno. No utilice el aditamento de corte por encima de la altura de la cintura.

⚠ ADVERTENCIA: Cuanto más alto respecto al terreno esté el aditamento de corte, mayor será el riesgo de lesiones causadas por pedazos cortados que sean lanzados lateralmente.

⚠ ADVERTENCIA: Cuando corte rodales jóvenes u otros materiales leñosos de hasta 3/4 de pulgada (2 cm) de diámetro, utilice el lado izquierdo de la hoja para evitar situaciones de contragolpe de la hoja. No intente cortar material leñoso con un diámetro más grande, ya que es posible que la hoja se enganche o lance la desbrozadora bruscamente hacia delante. Es posible que esto cause daños a la hoja o a la desbrozadora, o pérdida de control de la desbrozadora, lo cual provocará lesiones corporales.

⚠ ADVERTENCIA: Es posible que los pedazos lanzados al aire lesionen al operador o a las personas que estén presentes. Para reducir el riesgo de lesiones corporales, es esencial tomar las siguientes precauciones:

- Evite el contacto con objetos extraños duros o macizos, tales como piedras, rocas o pedazos de metal.
- No corte nunca madera o setos con un diámetro del tallo de más de 3/4 de pulgada (2 cm).
- Inspeccione la hoja a intervalos regulares cortos para detectar señales de daños. No siga trabajando con una hoja dañada.
- Haga que la hoja sea reafilada regularmente (cuando se haya desafilado notoriamente) y equilibrada si es necesario (esta operación deberá ser realizada por un técnico de servicio calificado).

CONTRAGOLPE DE LA HOJA

Tenga precaución extrema cuando utilice esta unidad. El contragolpe de la hoja es la reacción que es posible que ocurra cuando la hoja que gira entre en contacto con cualquier cosa que no pueda cortar. Es posible que este contacto haga que la hoja se detenga por un instante y repentinamente “contragolpee” la unidad alejándola del objeto que se haya golpeado. Esta reacción puede ser lo suficientemente violenta como para hacer que el operador pierda el control de la unidad. El contragolpe de la hoja puede ocurrir sin previo aviso si la hoja se engancha, se detiene o se atora. Esto tiene mayor probabilidad de ocurrir en áreas en las que sea difícil ver el material que se esté cortando. Para que el corte sea fácil y seguro, acérquese a la maleza que se esté cortando con la desbrozadora desde la derecha hacia la izquierda. En el caso de que se encuentre un objeto inesperado o material leñoso, esta práctica podría minimizar la reacción de contragolpe de la hoja.

Antes de cada uso, compruebe si hay piezas dañadas/desgastadas

Compruebe la hoja, el protector, la barra de barrera y la empuñadura delantera, y reemplace toda pieza que esté agrietada, arqueada, doblada o dañada de alguna manera. El borde de la hoja se puede desafilarse con el tiempo. Se recomienda voltear la hoja para prolongar su vida útil y afilarla periódicamente (lo cual deberá ser realizado por un técnico de servicio calificado) o reemplazarla por una hoja nueva cuando sea necesario.

Limpie la desbrozadora después de cada uso

Consulte la sección MANTENIMIENTO para obtener instrucciones de limpieza.

⚠ ADVERTENCIA: Asegúrese de que la hoja se haya detenido por completo antes de limpiar la desbrozadora o hacerle servicio de ajustes y reparaciones. Si no se cumple con esta advertencia, el resultado podría ser posibles lesiones corporales graves.

Compruebe si hay bloqueo de la hoja de 3 dientes

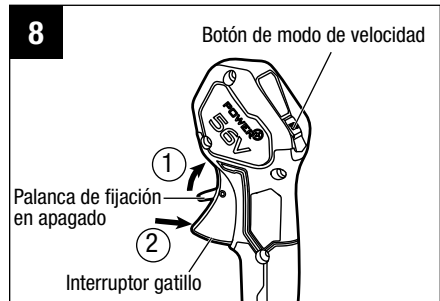
Para prevenir los bloqueos, mantenga limpia la hoja. Retire el pasto cortado, las hojas vegetales, la suciedad y cualquier otro residuo acumulado antes y después de cada uso. Cuando se produzca un bloqueo, pare la desbrozadora y retire la batería. Luego, retire todo el pasto que se haya podido enrollar alrededor del eje del motor o de la hoja.

PARA ARRANCAR/DETENER LA MÁQUINA

⚠ ADVERTENCIA: Vístase adecuadamente para reducir el riesgo de lesiones cuando utilice esta máquina. No se ponga ropa holgada ni joyas. Use protección ocular y de los oídos/la audición. Use pantalones largos gruesos, botas y guantes. No use pantalones cortos ni sandalias, ni vaya descalzo.

Para arrancar la máquina (Fig. 8)

1. Mueva hacia arriba la palanca de fijación en apagado hasta que encaje completamente en el surco, manténgala en esa posición y luego presione el interruptor gatillo para arrancar la máquina.
2. La velocidad rotacional de la unidad de corte es controlada por el interruptor gatillo. Más presión en el gatillo produce una velocidad más alta; menos presión en el gatillo produce una velocidad más baja. Ajuste la velocidad para adaptarse a la tarea que se vaya a realizar.



AVISO: El motor arranca solo al mover hacia atrás la palanca de fijación en apagado y presionar el interruptor gatillo al mismo tiempo.

Para detener la máquina

Mueva la máquina alejándola del área de corte y suelte el interruptor gatillo para detenerla.

⚠ ADVERTENCIA: Retire siempre el paquete de batería de la máquina durante las pausas de descanso del trabajo y después de acabar el trabajo.

CAMBIO DEL MODO DE VELOCIDAD (FIG. 9)

Esta máquina cuenta con tres modos de velocidad.

El modo de velocidad cambiará con cada pulsación del botón de modo de velocidad.

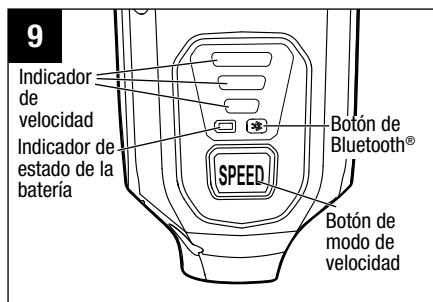
El indicador de velocidad mostrará el modo de velocidad activo: una luz para velocidad baja, dos luces para velocidad intermedia y tres luces para velocidad alta. El modo de velocidad baja proporciona un mejor control de la máquina y un tiempo de funcionamiento más prolongado por carga.







NOTA: El modo de velocidad se puede seleccionar antes de encender la máquina O durante su utilización.




Al rearrancar la máquina después de un descanso, el modo de velocidad regresará a la velocidad previa.

INDICADOR DE ESTADO DE LA BATERÍA E INDICADOR DE VELOCIDAD (FIG. 9)

El indicador de estado de la batería muestra el nivel de carga y el estado de funcionamiento del paquete de batería, y el indicador de velocidad muestra el estado de funcionamiento de la máquina, tal y como se muestra en el cuadro que aparece a continuación. El indicador de estado de la batería y el indicador de velocidad se iluminarán al arrancar la máquina.



Luces indicadoras		Significado	
Indicador de estado de la batería	Verde continuo		Nivel de carga de la batería del 20% al 100%
	Verde parpadeante		Nivel de carga de la batería del 10% al 20%
	Rojo continuo		Nivel de carga de la batería de menos del 10%
	Rojo parpadeante		La carga del paquete de batería está casi agotada y es necesario cargar inmediatamente dicho paquete.
	Naranja continuo		El paquete de batería está sobrecalentado. Enfríe el paquete de batería hasta que la temperatura descienda por debajo de 152 °F (67 °C). Consulte "Protección contra alta temperaturas de la batería" más adelante.
	Rojo/verde parpadeantes alternadamente		Error del sistema electrónico del paquete de batería. Reemplace el paquete de batería o contacte a un centro de servicio al cliente de EGO. Consulte "Protección contra errores del sistema electrónico de la batería".

Luces indicadoras		Significado	
Indicador de velocidad (la ilustración muestra velocidad alta)	Verde continuo		La máquina está funcionando correctamente.
	Naranja continuo		La máquina está sobrecalentada. Enfríe la máquina hasta que la temperatura descienda por debajo de 176 °F (80 °C). Consulte "Protección contra altas temperaturas de la máquina" más adelante.
	Naranja parpadeante		La máquina está sobrecargada. Consulte "Protección contra sobrecargas de la máquina" más adelante.

Protección contra altas temperaturas de la batería

Si la temperatura de la batería excede 158 °F (70 °C) durante la utilización de la máquina, el circuito de protección contra altas temperaturas apagará inmediatamente la máquina para proteger el paquete de batería contra daños por sobrecalentamiento. El indicador de estado de la batería se iluminará en naranja continuo. Suelte el gatillo y espere hasta que la batería sobrecalentada se enfríe y el indicador se ponga verde, y luego reorganice la máquina.

Protección contra errores del sistema electrónico de la batería

Cuando se produzca un error del sistema electrónico del paquete de batería, el indicador de estado de la batería parpadeará en rojo/verde alternadamente y la máquina se apagará en 3 segundos. Reemplace el paquete de batería o contacte a un centro de servicio al cliente de EGO.

Protección contra sobrecargas de la máquina


Esta máquina cuenta con protección de circuitos contra sobrecargas incorporada. Cuando la máquina esté sobrecargada, el motor se detendrá y el indicador de estado de la batería parpadeará en naranja. Retire el paquete de batería de la máquina y luego reinstálelo y reorganice la máquina. Reduzca la carga sobre la máquina, evite los arbustos pesados/leñosos demasiado largos o cortar en los mismos, o un hilo de corte extragrande (cuando la máquina se utilice como orilladora de hilo).

Protección contra altas temperaturas de la máquina

Si la temperatura de la máquina excede 194 °F (90 °C) durante su utilización, el circuito de protección contra altas temperaturas apagará inmediatamente la máquina para prevenir daños por sobrecalentamiento. El indicador de velocidad se iluminará en naranja continuo. Suelte el gatillo y espere hasta que la máquina sobrecalentada se enfríe y el indicador de velocidad se ponga verde, y luego reanque la máquina.

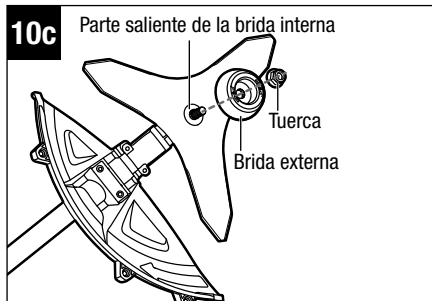
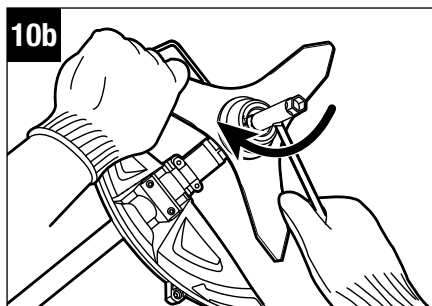
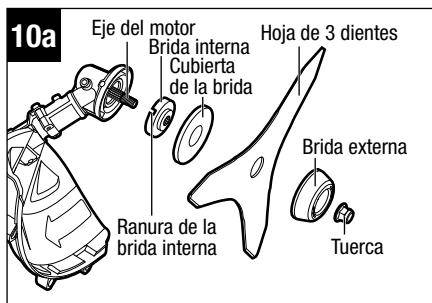
Tecnología inalámbrica Bluetooth®

Los productos con tecnología inalámbrica Bluetooth® incorporada se pueden conectar a dispositivos móviles utilizando las apps EGO. Sírvase visitar www.egopowerplus.com/commercial para obtener instrucciones sobre cómo conectar su máquina a las apps EGO.

El símbolo de Bluetooth  se ilumina cuando la máquina se conecta al dispositivo móvil del operador.

Consejos para obtener los mejores resultados de desbroce

- La desbrozadora se deberá agarrar siempre en el lado derecho del operador con las dos manos cuando se esté utilizando. Use un agarre firme en ambas empuñaduras.
- Mantenga el agarre y el equilibrio de ambos pies. Posiciónese de manera que no sea arrastrado hasta ser desequilibrado por la reacción de retroceso de la hoja de corte.
- Inspeccione y despeje el área de cualquier objeto oculto, tal como vidrio, rocas, concreto, cercas, alambre, madera, metal, etc., que pueda ser lanzado al aire o engancharse en la hoja.
- No utilice nunca hojas de corte cerca de banquetas de calle, cercas, postes, edificios u otros objetos inamovibles.
- No utilice nunca una hoja de corte después de golpear un objeto duro sin inspeccionarla primero para determinar si está dañada. No la utilice si se detecta cualquier daño.
- Utilice la unidad para cortar de derecha a izquierda con una acción de barrido amplio de un lado a otro.
- Utilice solo la hoja EGO™. La utilización de una hoja de cualquier otra marca con esta desbrozadora podría causar lesiones corporales graves.



CONVERSIÓN DE LA MÁQUINA EN UNA ORILLADORA DE HILO

Esta desbrozadora se puede convertir en una orilladora de hilo utilizando el kit EGO AH3810 (vendido por separado). Los pasos requeridos son:

- Reemplazo de la hoja metálica por un cabezal de orilladora de hilo.

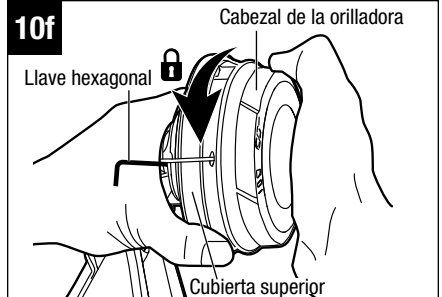
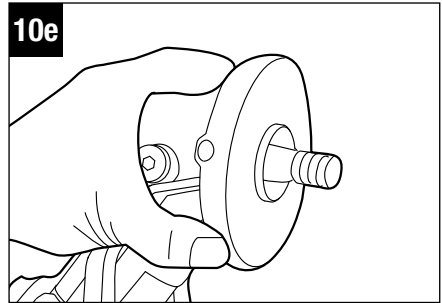
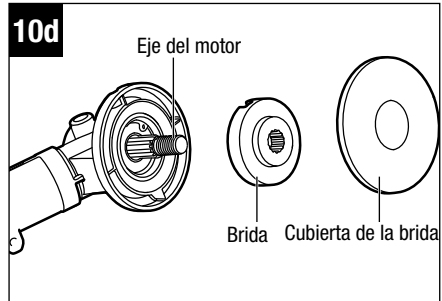
- Reemplazo del protector de la desbrozadora por el protector de la orilladora de hilo.

REEMPLACE LA HOJA DE 3 DIENTES POR EL CABEZAL DE LA ORILLADORA DE HILO (KIT EGO AH3810, VENDIDO POR SEPARADO)

Familiarícese con el cabezal de corte consultando la Fig. 10a.

Siga los pasos que se indican a continuación para retirar la hoja de 3 dientes y montar el cabezal de la orilladora.

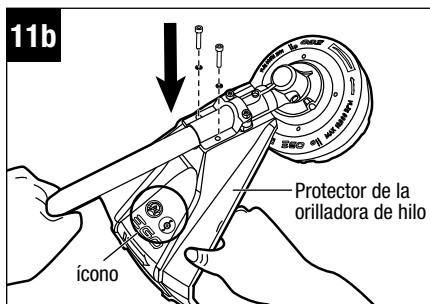
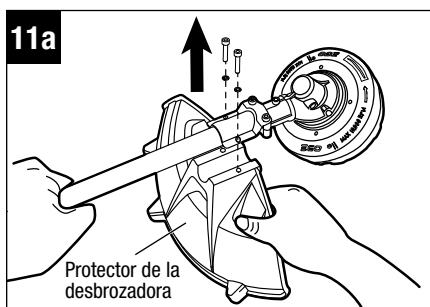
1. Desconecte el paquete de batería.
2. Rote la brida externa para alinear la ranura de la brida interna con el agujero de fijación del eje ubicado en la caja de engranajes e inserte la llave hexagonal incluida en los agujeros alineados para que actúe como estabilizador.
3. Póngase guantes. Posicione la caja de engranajes contra una superficie sólida para tener soporte. Use una mano para agarrar la hoja y la otra mano para aflojar la tuerca en el sentido de la flecha marcada en la brida externa, utilizando la llave multifunción incluida. Retire la hoja de 3 dientes, la tuerca y la brida externa y guárdelas para el reensamblaje (Fig. 10b y 10c).
4. Antes de montar el cabezal de la orilladora, asegúrese de que la brida interna y la cubierta de la brida estén ubicadas correctamente en el eje del motor de la manera que se muestra en las Fig. 10d y 10e.



5. Alinee el eje de transmisión con el agujero para tornillo del cabezal de la orilladora y preapriete dicho cabezal en el eje **EN SENTIDO CONTRARIO AL DE LAS AGUJAS DEL RELOJ**.
6. Rote el cabezal de la orilladora para alinear la ranura de la brida con el agujero de fijación del eje ubicado en la caja de engranajes e inserte la llave hexagonal suministrada en los agujeros alineados para que actúe como estabilizador.
7. Póngase guantes. Apriete firmemente el cabezal de la orilladora en el eje **EN SENTIDO CONTRARIO AL DE LAS AGUJAS DEL RELOJ** (Fig. 10f).

REEMPLACE EL PROTECTOR DE LA DESBROZADORA POR EL PROTECTOR DE LA ORILLADORA DE HILO

1. Retire el protector de la desbrozadora aflojando los dos pernos. Luego, retire los pernos, las arandelas y el protector (Fig. 11a). Mantenga el protector en un lugar seguro para uso futuro.
2. Levante el cabezal de la orilladora de hilo y oriéntelo hacia abajo. Alinee los dos agujeros de montaje ubicados en el protector con los dos agujeros de ensamblaje ubicados en la base del eje. Asegúrese de que la superficie interna del protector esté orientada hacia el cabezal de la orilladora de hilo (Fig. 11b).



3. Instale el protector de la orilladora de hilo incluido en el kit EGO AH3810 con los dos pernos y las dos arandelas de la desbrozadora (Fig. 11b).
4. Utilice la llave hexagonal suministrada para apretar los pernos.

UTILIZACIÓN DEL CABEZAL DE LA ORILLADORA (KIT EGO AH3810, VENDIDO POR SEPARADO)

⚠ ADVERTENCIA: Para evitar lesiones corporales graves, use anteojos o gafas de seguridad en todo momento cuando utilice esta unidad. Use una careta o una máscara antipolvo en lugares donde haya grandes cantidades de polvo.

Despeje el área que se vaya a cortar antes de casa uso. Retire todos los objetos, tales como rocas, vidrio roto, clavos o alambre o cordel, que puedan ser lanzados al aire por el aditamento de corte o que se puedan enganchar en el mismo. Despeje el área de niños, curiosos y animales domésticos. Como mínimo, mantenga a todos los niños, curiosos y animales domésticos al menos a 50 pies (15 m) de distancia; es posible que aún exista un riesgo para los curiosos por causa de objetos lanzados al aire. Se deberá instar a las personas que estén presentes a que usen protección ocular. Si alguien se acerca a usted, pare inmediatamente la máquina.

⚠ ADVERTENCIA: Para prevenir lesiones corporales graves, retire el paquete de batería de la máquina antes de hacer servicio de ajustes y reparaciones, realizar limpieza, cambiar aditamentos o retirar material de la unidad.

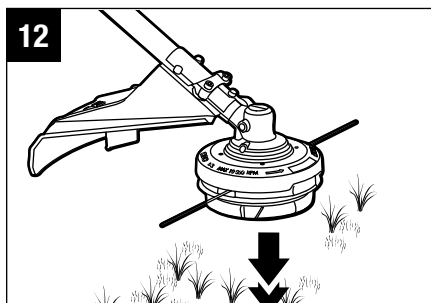
La hoja de corte del hilo ubicada en el protector se puede desafilarse con el tiempo. Se recomienda que usted la afile periódicamente con una lima o que la reemplace por una hoja nueva.

⚠ ADVERTENCIA: Use siempre guantes cuando monte o reemplace el protector, o cuando afile o reemplace la hoja de corte del hilo. Fíjese en la ubicación de la hoja de corte del hilo en el protector y protéjase la mano contra las lesiones.

⚠ ADVERTENCIA: No use nunca agua para limpiar la orilladora. Evite utilizar solventes cuando limpie piezas de plástico. La mayoría de los plásticos son susceptibles de sufrir daños causados por diversos tipos de solventes comerciales. Use paños limpios para eliminar la suciedad, el polvo, el aceite, la grasa, etc.

AJUSTE DE LA LONGITUD DEL HILO DE CORTE

El cabezal de la orilladora permite al operador liberar más hilo de corte sin detener el motor. A medida que el hilo se deshilache o se desgaste, se podrá liberar hilo adicional golpeando ligeramente el cabezal de la orilladora contra el terreno mientras se utiliza la orilladora.



⚠ ADVERTENCIA: No retire ni altere el ensamblaje de la hoja de corte del hilo. Una longitud de hilo excesiva hará que el motor se sobrecaliente y es posible que cause lesiones corporales graves.

Consejos para obtener los mejores resultados de orillado

El ángulo correcto para el aditamento de corte es paralelo al terreno.

- No fuerce la orilladora. Deje que el extremo de la punta del hilo haga el corte (especialmente a lo largo de paredes). Si se corta con más parte del hilo que su punta, se reducirá la eficacia de corte y es posible que se sobrecargue el motor.
- La altura de corte se determina por la distancia del hilo de corte a la superficie del césped.
- El pasto de más de 8 pulgadas (200 mm) se deberá cortar trabajando desde la parte de arriba hacia la parte de abajo en pequeños incrementos para evitar un desgaste prematuro del hilo o arrastre del motor.
- Mueva lentamente la orilladora hacia dentro y hacia fuera del área que se esté cortando, manteniendo la posición del cabezal de corte a la altura de corte deseada. Este movimiento puede ser hacia delante y hacia atrás o de un lado a otro. El corte de longitudes más pequeñas produce los mejores resultados.
- Evite orillar cuando el pasto y la maleza estén mojados
- Las cercas de alambre y de estacas puntiagudas pueden causar desgaste adicional o rotura del hilo. Es posible que las paredes de piedra y ladrillo, las orillas de acera y la madera desgasten rápidamente los hilos.
- Evite los árboles y los setos. La corteza de árbol, las molduras de madera, los paneles de revestimiento y los postes de cerca pueden ser dañados fácilmente por los hilos.

REEMPLAZO DEL HILO

Sírvase consultar la sección “REEMPLAZO DEL HILO” del manual del kit EGO AH3810 (VENDIDO POR SEPARADO).

MANTENIMIENTO

⚠ ADVERTENCIA: Cuando haga servicio de ajustes y reparaciones, utilice únicamente piezas de repuesto idénticas. Es posible que el uso de cualquier otra pieza cree un peligro o cause daños al producto. Para garantizar la seguridad y la confiabilidad, todas las reparaciones deberán ser realizadas por un técnico de servicio calificado.

⚠ ADVERTENCIA: Las herramientas a batería no tienen que enchufarse en un tomacorriente; por lo tanto, siempre están en condiciones de funcionamiento. Para prevenir lesiones corporales graves, tome precauciones adicionales y tenga cuidado adicional cuando realice mantenimiento o servicio de ajustes y reparaciones, o para cambiar el aditamento de corte u otros aditamentos.

⚠ ADVERTENCIA: Para prevenir lesiones corporales graves, retire el paquete de batería de la máquina antes de hacer servicio de ajustes y reparaciones, realizar limpieza o retirar material de la unidad. Todos los servicios de ajustes y reparaciones de la desbrozadora, que no sean los elementos incluidos en estas instrucciones de mantenimiento, deberán ser realizados por personal competente de servicio de desbrozadoras.

MANTENIMIENTO GENERAL

Evite utilizar solventes cuando limpie piezas de plástico. La mayoría de los plásticos son susceptibles de sufrir daños causados por diversos tipos de solventes comerciales y es posible que resulten dañados por su uso. Use un paño limpio para retirar la suciedad, el polvo, el aceite, la grasa, etc.

⚠ ADVERTENCIA: Cuando limpie la herramienta, NO la sumerja en agua ni en otros líquidos.

LIMPIEZA

- Retire la batería.
- Después de cada uso, elimine los residuos y la suciedad o el pasto que obstruyan la hoja y el protector con un cepillo blando.
- Limpie la superficie de la herramienta con un paño limpio humedecido con una solución de jabón suave.

- Utilice un cepillo pequeño o una aspiradora pequeña para limpiar las aberturas de ventilación ubicadas en la carcasa trasera. Mantenga las aberturas de ventilación libres de obstrucciones.
- No utilice detergentes fuertes en la carcasa del plástico ni en la empuñadura. Tanto la carcasa como la empuñadura pueden resultar dañadas por ciertos aceites aromáticos, tales como los de pino y limón, y por solventes tales como el queroseno. La humedad también puede causar un peligro de descargas eléctricas. Si hay humedad, elimínela con un paño suave y seco.
- Cuando la hoja se desafilé o ambos bordes de la hoja estén desafilados, por favor, haga que la hoja sea afilada por un técnico de servicio calificado o reemplácela por una hoja nueva si es necesario.

Cuando la hoja se desafilé o ambos bordes de la hoja estén desafilados, por favor, haga que la hoja sea afilada por un técnico de servicio calificado o reemplácela por una hoja nueva si es necesario.

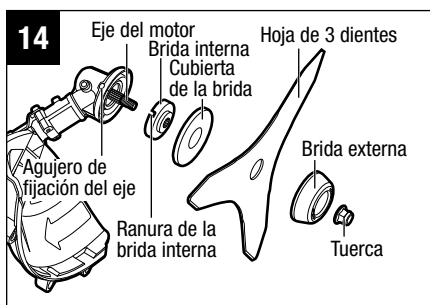
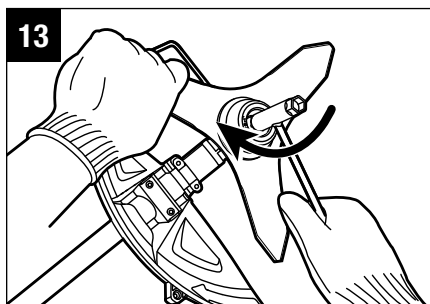
REEMPLAZO DE LA HOJA

⚠ ADVERTENCIA: Una hoja desgastada, agrietada o dañada se puede romper y los pedazos de la hoja dañada se pueden convertir en proyectiles peligrosos. Los objetos lanzados al aire pueden causar lesiones graves. Inspeccione periódicamente la hoja y no utilice la desbrozadora con una hoja desgastada o dañada.

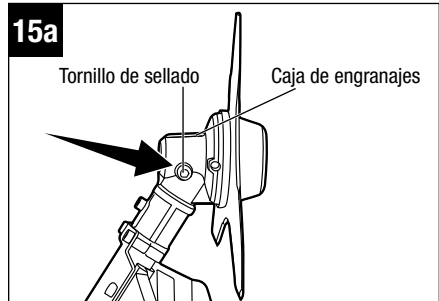
⚠ ADVERTENCIA: Use protección ocular adecuada mientras retira, afila e instala la hoja.

Para desinstalar la hoja

1. Retire el paquete de batería
2. Rote la brida externa para alinear la ranura de la brida interna con el agujero de fijación del eje ubicado en la caja de engranajes e inserte la llave hexagonal incluida en los agujeros alineados para que actúe como estabilizador, tal y como se describe en los pasos 2 y 3 de la sección “MONTAJE DE LA HOJA”.

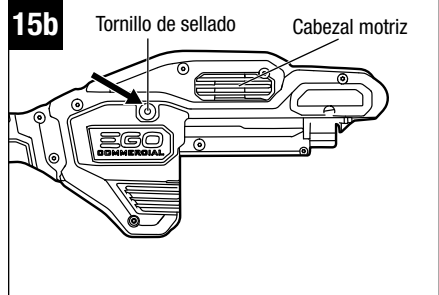


3. Posicione la caja de engranajes contra una superficie sólida para tener soporte. Use una mano para agarrar la hoja y la otra mano para aflojar la tuerca en el sentido de la flecha marcada en la brida externa, utilizando la llave multifunción incluida. Retire la tuerca y la brida externa y guárdelas para el reensamblaje (Fig. 13).



4. Compruebe la brida interna y la cubierta de la brida y reemplácelas si están desgastadas (Fig. 14).

5. Instale la hoja nueva en el eje del motor en el orden mostrado en la Fig. 14. Para obtener instrucciones, siga los pasos 5 – 7 de la sección “MONTAJE DE LA HOJA”.



LUBRICACIÓN DEL ENGRANAJE IMPULSOR

Para lograr el mejor funcionamiento posible y un tiempo de vida útil más prolongado, lubrique el engranaje impulsor de la desbrozadora con una grasa especial, tal y como se describe a continuación, después de cada 50 horas de funcionamiento.

Hay dos tornillos de sellado: uno en la caja de engranajes (Fig. 15a) y otro en el cabezal motriz (Fig. 15b).

Retírelos con la llave hexagonal suministrada y siga los pasos que se indican a continuación para aplicar hasta 0,169 oz (5 ml) de grasa en el agujero de engrase (Fig. 15).

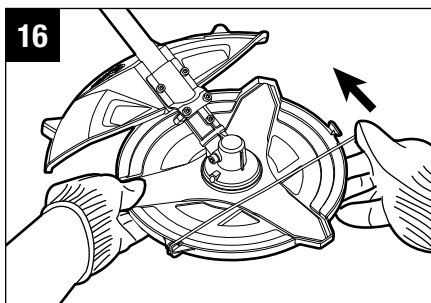
NO LLENE COMPLETAMENTE LA CAJA DE ENGRANAJES CON LA GRASA.

1. Acueste la desbrozadora sobre uno de sus lados, de manera que el tornillo de sellado que se va a retirar esté orientado hacia arriba (Fig. 15a y 15b).
2. Utilice la llave hexagonal incluida para aflojar y retirar el tornillo de sellado.

3. Utilice una pistola engrasadora (no incluida) para inyectar un poco de grasa en el agujero de lubricación. No exceda 3/4 de la capacidad.
4. Apriete el tornillo (los tornillos) de sellado después de la inyección.

La grasa deberá cumplir con los siguientes requisitos:

- Penetración de grado NLGI: NLGI-1
- Tipo de espesante: Éster
- Intervalo de temperatura de funcionamiento recomendado: -40 a 356 °F (-40 a 180 °C)
- Además de lo anterior, la grasa deberá tener también excelentes propiedades de arranque a baja temperatura, PE, cizallamiento mecánico, resistencia a la abrasión y estabilidad oxidativa.



TRANSPORTE Y ALMACENAMIENTO

- Si la hoja de 3 dientes está instalada, coloque siempre su funda sobre ella antes de almacenar o transportar la máquina. Tenga precaución para evitar los dientes afilados de la hoja (Fig. 16).
- Limpie minuciosamente la máquina antes de almacenarla.
- Almacene la máquina en un lugar interior seco que sea inaccesible para los niños.
- Mantenga la unidad alejada de los agentes corrosivos, tales como productos químicos de jardín y sales anticongelantes.

RESOLUCIÓN DE PROBLEMAS

PROBLEMA	CAUSA	SOLUCIÓN
La máquina no arranca o deja de funcionar	<ul style="list-style-type: none"> ■ El paquete de batería no está instalado en la máquina. ■ No hay contacto eléctrico entre la máquina y el paquete de batería. ■ La carga del paquete de batería está agotada. ■ La palanca de fijación en apagado y el interruptor gatillo no se presionan simultáneamente. ■ La batería está demasiado caliente. Consulte el capítulo "Protección contra altas temperaturas de la batería". ■ La desbrozadora está demasiado caliente. Consulte el capítulo "Protección contra altas temperaturas de la máquina". ■ El motor está sobrecargado. Consulte el capítulo "Protección contra sobrecargas de la máquina". 	<ul style="list-style-type: none"> ■ Instale el paquete de batería en la máquina. ■ Retire la batería, compruebe los contactos y reinstale el paquete de batería hasta que se acople a presión en la posición correcta. ■ Cargue el paquete de batería. ■ Mueva hacia arriba la palanca de fijación en apagado y presione el interruptor gatillo al mismo tiempo. ■ Retire el paquete de batería y enfríelo hasta que la temperatura descienda por debajo de 152 °F (67 °C). ■ Retire el paquete de batería y enfríe la desbrozadora hasta que la temperatura descienda por debajo de 176 °F (80 °C). ■ El motor se recuperará cuando se retire la carga. Para realizar trabajo continuo, reduzca la carga sobre la desbrozadora y evite cortar arbustos pesados/hechosos o un hilo de corte extragrande (cuando la máquina se utilice como orilladora de hilo).
Vibración o ruido excesivos.	<ul style="list-style-type: none"> ■ La grasa contenida en la caja de engranajes está casi agotada. 	<ul style="list-style-type: none"> ■ Lubrique los engranajes impulsores de la caja de engranajes, consulte la sección "LUBRICACIÓN DEL ENGRANAJE IMPULSOR" de este manual.

PROBLEMA	CAUSA	SOLUCIÓN
<p>Durante las operaciones de orillado, el cabezal de la orilladora no hace avanzar el hilo.</p>	<ul style="list-style-type: none"> ■ El eje del motor o el cabezal de la orilladora están atorados con pasto. ■ No hay suficiente hilo en la bobina. ■ El hilo está enganchado en el cabezal de la orilladora. ■ El hilo es demasiado corto 	<ul style="list-style-type: none"> ■ Pare la máquina, retire la batería y limpie minuciosamente el eje del motor o el cabezal de la orilladora. ■ Retire la batería e instale el hilo de corte nuevo, siga la sección “REEMPLAZO DEL HILO” del manual del kit EGO AH3810. ■ Retire la batería y recargue el hilo de corte, siga la sección “REEMPLAZO DEL HILO” del manual del kit EGO AH3810. ■ Retire la batería y jale los hilos mientras alternadamente presiona hacia abajo y libera el cabezal de accionamiento por golpeo.
<p>Durante las operaciones de orillado, el pasto se enrolla alrededor del cabezal de la orilladora.</p>	<ul style="list-style-type: none"> ■ Se está cortando pasto alto a nivel del terreno. 	<ul style="list-style-type: none"> ■ Corte el pasto ato de arriba abajo, retirando no más de 8 pulgadas (20 cm) en cada pasada para evitar que el pasto se enrolle.
<p>Durante las operaciones de orillado, la hoja de corte del hilo ubicada en el protector no puede cortar el hilo</p>	<ul style="list-style-type: none"> ■ La hoja de la línea de corte se ha desafilado. 	<ul style="list-style-type: none"> ■ Afile la hoja de corte del hilo con una lima o reemplácela por una hoja nueva.

GARANTÍA LIMITADA DE EGO

TÉRMINOS Y DURACIÓN DE LA PÓLIZA DE GARANTÍA

Chervon North America, Inc. (“Chervon North America”), proporciona la siguiente Garantía Limitada para los productos EGO al comprador original de productos EGO.

El período de garantía detallado de cada producto EGO se puede encontrar en línea en <http://egopowerplus.com/warranty-policy>.

Sírvase contactar a Servicio al Cliente de EGO llamando gratis al 1-855-EGO-5656 en cualquier momento en que tenga preguntas o reclamos de garantía, o si desea obtener una copia impresa de la garantía.

GARANTÍA LIMITADA DE SERVICIO

Los productos EGO están garantizados contra defectos de material o de fabricación a partir de la fecha de compra minorista original durante el período de garantía aplicable. Para cualquier reclamo de garantía presentado de manera adecuada y oportuna, si Chervon North America determina que un producto presenta algún defecto durante el período de garantía, dicho producto recibirá una reparación o un remplazo gratuitos, según lo determine Chervon North America.

CÓMO OBTENER SERVICIO

Para obtener servicio de garantía, dentro del período de garantía aplicable, sírvase contactar a servicio al cliente de EGO llamando gratis al **1-855-EGO-5656**. Cuando solicite servicio de garantía, deberá presentar el recibo de venta fechado original. Se seleccionará un centro de servicio autorizado para evaluar y reparar el producto si el mismo presenta algún defecto de acuerdo con los términos establecidos en la garantía. Cuando lleve su producto al centro de servicio autorizado, es posible que se requiera un pequeño depósito cuando deje allí su herramienta. Este depósito es reembolsable cuando se considere que el servicio de reparaciones esté cubierto bajo garantía.

LIMITACIONES Y EXCLUSIONES ADICIONALES

Esta garantía limitada se aplica solo al comprador original que realice la compra a un minorista EGO autorizado y no es transferible. Los productos EGO no serán considerados defectuosos, y esta garantía no se aplicará, en los casos en que el defecto por el que se presente el reclamo sea atribuible a cualquier causa que no

sean los defectos definidos anteriormente en este documento. Esta garantía quedará anulada si el producto se ha utilizado para fines de alquiler. Esta garantía no se aplicará a daños causados por accidente, abuso, uso incorrecto, alteración, modificación, reparación no autorizada, contacto con líquidos, incendio, terremoto u otra causa externa; utilización del producto sin seguir las instrucciones, especificaciones o pautas de EGO; o no hacer servicio de ajustes y reparaciones o no mantener adecuadamente el producto. Esta garantía tampoco se aplica a los daños cosméticos, incluyendo, pero sin limitarse a ello, rasguñaduras o abolladuras; defectos causados por el desgaste por el uso normal o defectos que de alguna otra manera se deban al envejecimiento normal del producto.

ESTA GARANTÍA EXPRESA SE DA EN LUGAR DE TODAS LAS DEMÁS GARANTÍAS, EXPRESAS O IMPLÍCITAS, INCLUYENDO, PERO SIN LIMITARSE A ELLO, TODAS LAS GARANTÍAS DE COMERCIABILIDAD O IDONEIDAD PARA UN PROPÓSITO O USO ESPECÍFICO, LAS CUALES QUEDAN EXCLUIDAS. Todas las garantías implícitas, incluyendo las garantías de comerciabilidad o idoneidad para un propósito específico, que no se puedan excluir bajo la ley estatal, están limitadas al período de garantía aplicable definido al comienzo de este artículo. El remedio único y exclusivo en conexión con la compra, instalación, uso y/o rendimiento de los productos EGO es la reparación o el reemplazo del producto tal y como lo determine Chervon North America. La responsabilidad máxima de North America no excederá en ningún caso el precio de compra pagado por el producto. CHERVON NORTH AMERICA NO SERÁ RESPONSABLE ANTE EL USUARIO NI ANTE NADIE MÁS POR DAÑOS EMERGENTES, INCIDENTALES, ESPECIALES, EJEMPLARES, INDIRECTOS O PUNITIVOS QUE SURJAN DEL USO DE LOS PRODUCTOS, INCLUYENDO, PERO SIN LIMITARSE A ELLO, LESIONES CORPORALES, MUERTE, DAÑOS MATERIALES, GANANCIAS PERDIDAS U OTROS PERJUICIOS ECONÓMICOS. Esta garantía le confiere a usted derechos legales específicos y es posible que usted tenga también otros derechos que varían de un estado a otro. Algunos estados no permiten limitaciones en cuanto a la duración de una garantía implícita, la exclusión o limitación de los daños incidentales o emergentes, o las limitaciones al tiempo para emprender ciertas acciones legales, por lo que las limitaciones contenidas en el presente documento no se aplican a los consumidores individuales de esos estados.



Esta garantía está sujeta a la ley de Michigan y se interpretará de acuerdo con dicha ley, con independencia de los principios sobre conflictos de leyes. No se emprenderá ninguna acción legal contra Chervon North America a menos que se presente dentro del plazo de un (1) año después de que se tenga conocimiento de la base de dicha acción legal o de la cual se debiera haber tenido conocimiento con el ejercicio de una diligencia razonable. Se considerará que se ha renunciado a cualquier acción legal que no se presente oportunamente.

Para obtener servicio al cliente, contáctenos llamando gratis al **1-855-EGO-5656** o en **EGOPOWERPLUS.COM**.

EGO Customer Service,
769 Seward Ave. NW, Suite 102,
Grand Rapids, Michigan 49504.

