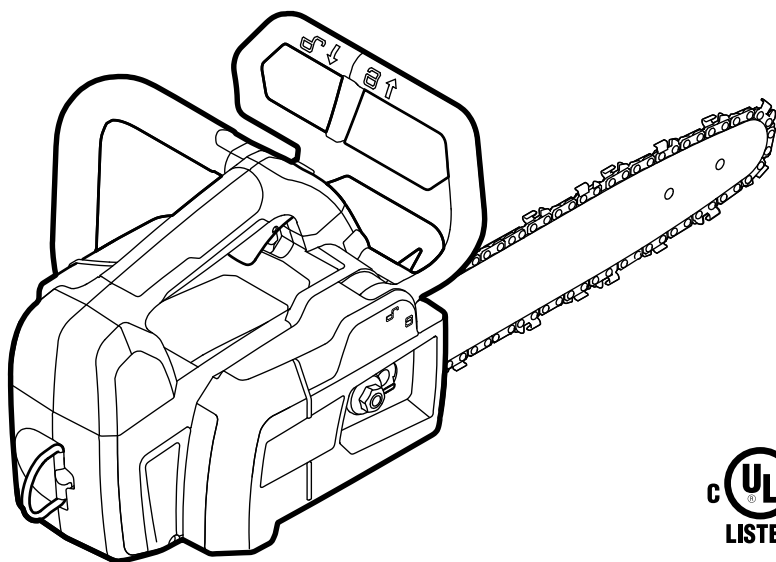


EGO™

POWER⁺ CHAIN SAW



**FILL OIL TANK WITH BAR AND
CHAIN OIL BEFORE FIRST USE**

OPERATOR'S MANUAL

56V LITHIUM-ION

CORDLESS 12" CHAIN SAW

Français p. 49

Español p. 103

MODEL NUMBER CSX3000/CSX3000-FC

⚠ WARNING: To reduce the risk of injury, the user must read and understand the Operator's Manual before using this product. Save these instructions for future reference.

TABLE OF CONTENTS

Safety Symbols	4
Safety Instructions.....	5-17
Glossary of terms	17-18
Introduction	18
Specifications	19
Packing List.....	20
Description	21-23
Assembly	24-27
Operation	28-37
Maintenance	38-44
Troubleshooting.....	45-46
Warranty	47-48

READ ALL INSTRUCTIONS!



READ & UNDERSTAND
INSTRUCTION MANUAL

⚠ WARNING: Some dust created by power sanding, sawing, grinding, drilling and other construction activities contains chemicals known to the state of California to cause cancer, birth defects or other reproductive harm. Some examples of these chemicals are:

- Lead from lead - based paints
- Crystalline silica from bricks and cement and other masonry products, and
- Arsenic and chromium from chemically - treated lumber.

Your risk from these exposures varies, depending on how often you do this type of work. To reduce your exposure to these chemical: work in a well ventilated area, and work with approved safety equipment, such as those dust masks that are specially designed to filter out microscopic particles.

SAFETY SYMBOLS

The purpose of safety symbols is to attract your attention to possible dangers. The safety symbols and the explanations with them deserve your careful attention and understanding. The symbol warnings do not, by themselves, eliminate any danger. The instructions and warnings they give are no substitutes for proper accident prevention measures.

⚠ WARNING: Be sure to read and understand all safety instructions in this Operator's Manual, including all safety alert symbols such as "**DANGER**," "**WARNING**," and "**CAUTION**" before using this tool. Failure to follow all instructions listed below may result in electric shock, fire, and/or serious personal injury.

SYMBOL MEANING

⚠ SAFETY ALERT SYMBOL: Indicates **DANGER**, **WARNING**, OR **CAUTION**. May be used in conjunction with other symbols or pictographs.



⚠ WARNING! The operation of any power tools can result in foreign objects being thrown into your eyes, which can result in severe eye damage. Before beginning power tool operation, always wear safety goggles or safety glasses with side shields and a full face shield when needed. We recommend a Wide Vision Safety Mask for use over eyeglasses or standard safety glasses with side shields. Always use eye protection which is marked to comply with ANSI Z87.1.

SAFETY INSTRUCTIONS

This page depicts and describes safety symbols that may appear on this product. Read, understand, and follow all instructions on the machine before attempting to assemble and operate it.

	Safety Alert	Indicates a potential personal injury hazard.
	Read & Understand Operator's Manual	To reduce the risk of injury, user must read and understand the operator's manual before using this product.
	Wear Eye Protection	Always wear safety goggles or safety glasses with side shields and a full face shield when operating this product.
	Wear Ear Protection	Chain saw noise may damage your hearing. Always wear sound barriers (ear plugs or ear muffs) to protect your hearing.
	Wear Head Protection	Wear an approved safety hard hat to protect your head.
	Wear Protective Gloves	Protect your hands with gloves when handling saw and saw chain. Heavy-duty, nonslip gloves improve your grip and protect your hands.
	Be aware of kickback	Contact of the guide bar tip with any object should be avoided.
	Guide bar tip kickback	Tip contact can cause the guide bar to move suddenly upward and backward, which can cause serious injury.

	Two handed hold	Always use two hands when operating the chain saw.
	Recycle Symbols	This product uses lithium-ion (Li-ion) batteries. Local, state, or federal laws may prohibit disposal of batteries in ordinary trash. Consult your local waste authority for information regarding available recycling and/or disposal options.
IPX5	Ingress Protection Degree	Protection from splashing water
	Direct Current	Type or a characteristic of current
V	Volt	Voltage
mm	Millimeter	Length or size
in.	Inch	Length or size
kg	Kilogram	Weight
lb	Pound	Weight
ml	Milliliter	Volume
fl.oz	Fluid Ounce	Volume
°C	Celsius Temperature	Temperature
°F	Fahrenheit Temperature	Temperature

GENERAL BATTERY-OPERATED POWER TOOL SAFETY WARNINGS

⚠ WARNING! Read all safety warnings, instructions, illustrations and specifications provided with this power tool. Failure to follow all instructions listed below may result in electric shock, fire and/or serious injury.

Save all warnings and instructions for future reference.

The term “power tool” in the warnings refers to your mains-operated (corded) power tool or battery-operated (cordless) power tool.

WORK AREA SAFETY

- **Keep work area clean and well lit.** Cluttered or dark areas invite accidents.
- **Do not operate power tools in explosive atmospheres, such as in the presence of flammable liquids, gases or dust.** Power tools create sparks which may ignite the dust or fumes.
- **Keep children and bystanders away while operating a power tool.** Distractions can cause you to lose control.

PERSONAL SAFETY

- **Stay alert, watch what you are doing and use common sense when operating a power tool. Do not use a power tool while you are tired or under the influence of drugs, alcohol or medication.** A moment of inattention while operating power tools may result in serious personal injury.
- **Use personal protective equipment.** Always wear eye protection. Protective equipment such as a dust mask, non-skid safety shoes, hard hat or hearing protection used for appropriate conditions will reduce personal injuries.
- **Prevent unintentional starting. Ensure the switch is in the off-position before connecting to power source and/or battery pack, picking up or carrying the tool.** Carrying power tools with your finger on the switch or energizing power tools that have the switch on invites accidents
- **Remove any adjusting key or wrench before turning the power tool on.** A wrench or a key left attached to a rotating part of the power tool may result in personal injury.
- **Do not overreach. Keep proper footing and balance at all times.** This enables better control of the power tool in unexpected situations.
- **Dress properly. Do not wear loose clothing or jewelry. Keep your hair and clothing away from moving parts.** Loose clothes, jewelry or long hair can be caught in moving parts.
- **If devices are provided for the connection of dust extraction and collection facilities, ensure these are connected and properly used.** Use of dust collection can reduce dust-related hazards.
- **Do not let familiarity gained from frequent use of tools allow you to become complacent and ignore tool safety principles.** A careless action can cause severe injury within a fraction of a second.

POWER TOOL USE AND CARE

- **Do not force the power tool. Use the correct power tool for your application.** The correct power tool will do the job better and safer at the rate for which it was designed.
- **Do not use the power tool if the switch does not turn it on and off.** Any power tool that cannot be controlled with the switch is dangerous and must be repaired.
- **Remove the battery pack, if detachable, from the power tool and/or activate any battery disabling device before clearing jammed material, making any adjustments, changing accessories, cleaning, or storing power tools.** Such preventive safety measures reduce the risk of starting the power tool accidentally.
- **Store idle power tools out of the reach of children and do not allow persons unfamiliar with the power tool or these instructions to operate the power tool.** Power tools are dangerous in the hands of untrained users.
- **Maintain power tools and accessories. Check for misalignment or binding of moving parts, breakage of parts and any other condition that may affect the power tool's operation. If damaged, have the power tool repaired before use.** Many accidents are caused by poorly maintained power tools and accessories.
- **Keep cutting tools sharp and clean.** Properly maintained cutting tools with sharp cutting edges are less likely to bind and are easier to control.
- **Use the power tool, accessories, tool bits, etc. in accordance with these instructions, taking into account the working conditions and the work to be performed.** Use of the power tool for operations different from those intended could result in a hazardous situation.
- **Keep handles and grasping surfaces dry, clean and free from oil and grease.** Slippery handles and grasping surfaces may lead to unsafe handling and/or loss of control of the tool.
- **Keep cables away from the working area of the tool.** During operation cables may be hidden from view and can be accidentally damaged by the tool.

BATTERY TOOL USE AND CARE

- **Recharge only with the charger specified by the manufacturer.** A charger that is suitable for one type of battery pack may create a risk of fire when used with another battery pack.

- **Use power tools only with specifically designated battery packs.** Use of any other battery packs may create a risk of injury and fire.
- **When battery pack is not in use, keep it away from other metal objects, like paper clips, coins, keys, nails, screws or other small metal objects, that can make a connection from one terminal to another.** Shorting the battery terminals together may cause burns or a fire.
- **Under abusive conditions, liquid may be ejected from the battery; avoid contact. If contact accidentally occurs, flush with water. If liquid contact eyes, additionally seek medical help.** Liquid ejected from the battery may cause irritation or burns.
- **Do not use a battery pack or tool that is damaged or modified.** Damaged or modified batteries may exhibit unpredictable behavior resulting in fire, explosion or risk of injury.
- **Do not expose a battery pack or tool to fire or excessive temperature.** Exposure to fire or temperature above 265 °F (130°C) may cause explosion.
- **Follow all charging instructions and do not charge the battery pack or tool outside the temperature range specified in the instructions.** Charging improperly or at temperatures outside the specified range may damage the battery and increase the risk of fire.

SERVICE

- **Have your power tool serviced by a qualified repair person using only identical replacement parts.** This will ensure that the safety of the power tool is maintained.
- **Never service damaged battery packs.** Service of battery packs should only be performed by the manufacturer or authorized service providers

SAFETY INSTRUCTIONS FOR CHAIN SAW

General chain saw safety warnings

- **Keep all parts of the body away from the saw chain when the chain saw is operating. Before you start the chain saw, make sure that the saw chain is not contacting anything.** A moment of inattention while operating chain saws may cause entanglement of your clothing or body with the chain.
- **Always hold the chain saw with your right hand on the rear handle and your left hand on the front handle.** Holding the chain saw with a reversed hand configuration increases the risk of personal injury and should never be done.

- **Hold the chain saw by insulated gripping surfaces only, because the saw chain may contact hidden wiring.** Saw chains contacting a “live” wire may make exposed metal parts of the chain saw “live” and could give the operator an electric shock.
- **Wear eye protection. Further protective equipment for hearing, head, hands, legs and feet is recommended.** Adequate protective equipment will reduce personal injury from flying debris or accidental contact with the saw chain.
- **Do not operate a chain saw on a ladder, from a rooftop, or any unstable support.** Operation of a chain saw in this manner could result in serious personal injury.
- **Always keep proper footing and operate the chain saw only when standing on fixed, secure and level surface.** Slippery or unstable surfaces may cause a loss of balance or control of the chain saw.
- **When cutting a limb that is under tension be alert for spring back.** When the tension in the wood fibers is released the spring-loaded limb may strike the operator and/or throw the chain saw out of control.
- **Use extreme caution when cutting brush and saplings.** The slender material may catch the saw chain and be whipped toward you or pull you off balance.
- **Carry the chain saw by the front handle with the chain saw switched off and away from your body. When transporting or storing the chain saw, always fit the guide bar cover.** Proper handling of the chain saw will reduce the likelihood of accidental contact with the moving saw chain.
- **Follow instructions for lubricating, chain tensioning and changing the bar and chain.** Improperly tensioned or lubricated chain may either break or increase the chance for kickback.
- **Cut wood only. Do not use chain saw for purposes not intended. For example: do not use chain saw for cutting metal, plastic, masonry or non-wood building materials.** Use of the chain saw for operations different than intended could result in a hazardous situation.
- **Do not attempt to fell a tree until you have an understanding of the risks and how to avoid them.** Serious injury could occur to the operator or bystanders while felling a tree.
- **This chain saw is not intended for tree felling. Use of the chain saw for operations different than intended could result in serious injury to the operator or bystanders.**

- **Follow all instructions when clearing jammed material, storing or servicing the chain saw.** Make sure the switch is off and the battery pack is removed. Unexpected actuation of the chain saw while clearing jammed material or servicing may result in serious personal injury.
- **Do not operate a chain saw in a tree unless you have been specifically trained to do so.** Operation of a chain saw in a tree without proper training could increase the risk of serious personal injury.

CAUSES AND OPERATOR PREVENTION OF KICKBACK

Kickback may occur when the nose or tip of the guide bar touches an object, or when the wood closes in and pinches the saw chain in the cut.

Tip contact in some cases may cause a sudden reverse reaction, kicking the guide bar up and back towards the operator.

Pinching the saw chain along the top of the guide bar may push the guide bar rapidly back towards the operator.

Either of these reactions may cause you to lose control of the saw, which could result in serious personal injury. Do not rely exclusively upon the safety devices built into your saw. As a chain saw user, you should take several steps to keep your cutting jobs free from accident or injury.

Kickback is the result of chain saw misuse and/or incorrect operating procedures or conditions and can be avoided by taking proper precautions as given below:

- **Maintain a firm grip, with thumbs and fingers encircling the chain saw handles, with both hands on the saw and position your body and arm to allow you to resist kickback forces.** Kickback forces can be controlled by the operator, if proper precautions are taken. Do not let go of the chain saw.
- **Do not overreach and do not cut above shoulder height.** This helps prevent unintended tip contact and enables better control of the chain saw in unexpected situations.
- **Only use replacement guide bars and saw chains specified by the manufacturer.** Incorrect replacement guide bars and saw chains may cause chain breakage and/or kickback.
- **Follow the manufacturer's sharpening and maintenance instructions for the saw chain.** Decreasing the depth gauge height can lead to increased kickback.

KICKBACK SAFETY DEVICES ON THIS CHAIN SAW

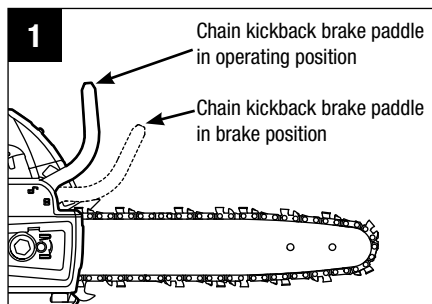
Chain Brake

The chain saw comes equipped with a chain brake, which stops both the motor and the motion of the chain when kickback occurs. The chain brake can be activated by the forward motion of the chain-kickback brake paddle as the saw rotates backward during kickback; it can also be activated by the inertial forces generated during rapid pushback.

⚠ WARNING: Never modify or attempt to disable the chain brake. Make sure that the chain brake is working properly before using the chain saw. The chain-kickback brake paddle should move back and forth easily.

To test the operation of the chain brake, perform the following steps (Fig. 1):

- Place the chain saw on a flat bare surface and make sure no objects or obstructions, that could come in contact with the bar and chain, are in the immediate vicinity.
- Disengage the chain brake by pulling the chain-kickback brake paddle towards the front handle.
- Start the chain saw.
- Push the chain-kickback brake paddle towards the front of the saw. A properly functioning hand brake will stop the movement of the chain immediately. If the chain brake is not working properly, do not use the chain saw until it has been repaired by a qualified service technician.



⚠ WARNING: Confirm that the chain brake works properly before each use.

⚠ WARNING: If the chain brake is clogged with wood chips, the function of the chain brake may deteriorate. Always keep the device clean.

Low Kickback Saw Chain

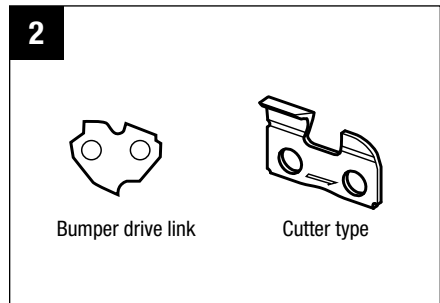
The ramp-shaped depth gauges ahead of each cutter can minimize the force of a kickback reaction by preventing the cutters from digging in too deeply at the kickback zone. Only use a replacement chain that is equivalent to the original chain or has been certified as a low kickback chain per ANSI B175.1. A low kickback tooth saw chain is a chain that has met the kickback performance requirements of ANSI B175.1 (American National Standard for Power Tools-Gasoline-Powered Chain Saws-Safety Requirements) when tested on the representative sample of chain saws below 3.8 c.i.d. specified in ANSI B175.1.

The bumper drive link (Fig. 2) also helps deliver low-kickback performance.

⚠ CAUTION: As saw chains are sharpened during their useful life, they lose some of the low kickback qualities and extra caution should be used.

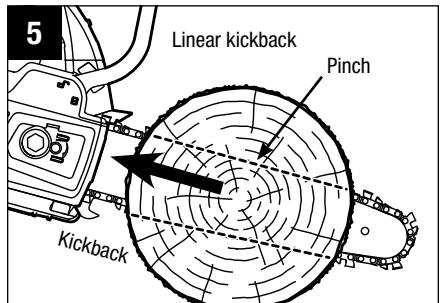
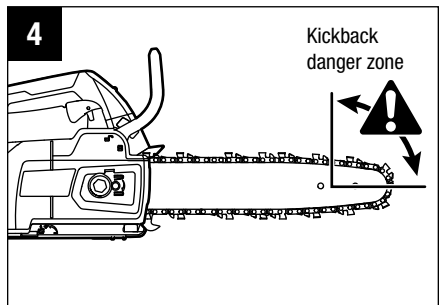
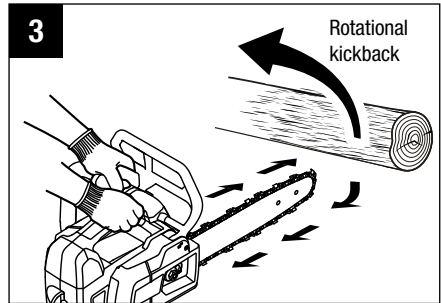
GUIDE BAR

This saw comes equipped with a guide bar that has a small radius nose. Small radius noses generally have less potential for kickback. When replacing the guide bar, be sure to order the bar listed in this manual.

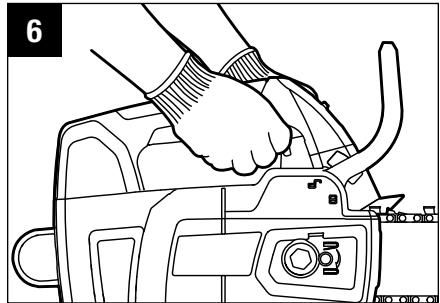


ADDITIONAL WARNINGS

- The first-time user should, as a minimum, practise cutting logs on a saw-horse or cradle.
- **With a basic understanding of kickback (Fig. 3-5), you can reduce or eliminate the element of surprise.** Sudden surprise contributes to accidents.
- **Make sure that the area in which you are cutting is free from obstructions.** Do not let the nose of the guide bar contact a log, branch, fence, or any other obstruction that could be hit while you are operating the saw.
- **Inspect the work piece for nails, wire, or other foreign objects prior to cutting.**
- **Plan the work, ensuring an obstacle-free work area and, in the case of felling, at least one escape path from the falling tree.**
- **When felling, keep bystanders at least two tree lengths away.**
- **Keep proper footing and balance at all times.**

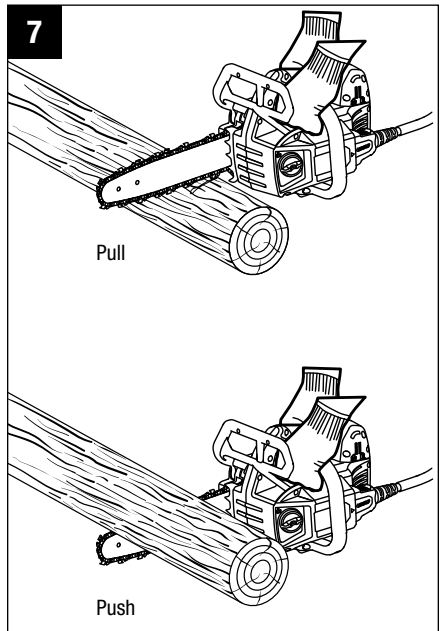


- **A chain saw is intended for two handed use.** Serious injury to the operator, helpers, and/or bystanders can result from one-handed operation (Fig. 6).



- **Always cut with the unit running at full speed.** Fully squeeze the switch trigger and maintain cutting speed.

- **Push and Pull** – The reaction force is always opposite to the direction the chain is moving where wood contact is made. Thus, the operator must be ready to control the PULL when cutting on the bottom edge of the bar, and the PUSH when cutting along the top edge (Fig. 7).



- **Fatigue causes carelessness. Be more cautious before rest periods and towards the end of your shift.**

- When transporting your chain saw, use the appropriate transportation covers, which should be available for the guide bar and saw chain
- Beware of carbon monoxide poisoning. Operate the chain saw in well-ventilated areas only.

- **Avoid unintentional contact with the stationary saw chain or guide bar rails.** These can be very sharp. Always wear gloves and long pants or chaps when handling the chain saw, saw chain, or guide bar.

- **Never operate a chain saw that is damaged or improperly adjusted or that is not completely and securely assembled.** Be sure that the saw chain stops moving when the trigger switch is released.

- **When bucking, secure the work piece prior to cutting. When felling or pruning, identify and secure hazardous branches.**

- **Aggressive or abusive cutting or misuse of the chain saw can cause premature bar, chain, and/or sprocket wear, as well as a broken chain or bar, leading to kickback, chain throw or the ejection of material.**
- **Never use the guide bar as a lever.** A bent guide bar can cause premature bar, chain, and/or sprocket wear, as well as a broken chain or bar, leading to kickback, chain throw or the ejection of material.
- **Cut only one work piece at a time.**
- **Do not try to catch falling sections or make cuts if the operator is only attached with one rope.** Always use two safety ropes.
- **During felling operations, lift your hearing protection immediately when the sawing is complete.** It is important that you hear sounds and warning signals.
- **If the saw chain is blocked by an object:** Switch off the chainsaw, engage the chain brake and remove the power plug, then remove the object causing the blockage.
- **Check chain tension regularly during cutting work.** If chain tension is insufficient: Tension the chain.
- **The information in this operator's manual is not an alternative to professional knowledge and experience.** If you do not feel sure about how to operate this product, turn to a person with professional knowledge and experience.
- **This product has an increased risk of losing control. Only persons who have special training in cutting and working technique must operate this product in a tree.** The operator must have safety equipment such as a lift, ropes and safety harness. Regular chainsaws are recommended for all work at ground level.
- **Follow instructions on special cutting and working techniques to decrease the risk of injury. Do not do work in a tree unless you have professional training for such work.** This training includes safe climbing techniques and work positions. You must learn how to use equipment such as harnesses, ropes, belts, climbing irons and carabiners.
- **When a chain saw is being used, a fire extinguisher should be available.**

- **Use only with the battery packs and chargers listed below:**

BATTERY PACK	CHARGER
BA1400, BA1400-FC, BA2800, BA2800-FC, BA4200, BA4200-FC, BA1400T, BA1400T-FC, BA2800T, BA2800T-FC, BA4200T, BA4200T-FC, BA5600T, BA5600T-FC, BA2240T, BA2240T-FC	CH2100, CH2100-FC, CH5500, CH5500-FC, CH2800D, CH2800D-FC, CHX5500, CHX5500-FC; CH7000, CH7000-FC

- **Do not charge the battery pack in rain or in wet locations.**
- **If situations occur which are not covered in this manual, use care and good judgment. Contact EGO Customer Service for assistance.**

SAVE THESE INSTRUCTIONS!

GLOSSARY OF TERMS

Automatic Oiler: A system that automatically lubricates the guide bar and saw chain.

Bucking: The process of cross-cutting a felled tree or log into lengths.

Bucking Spikes: The pointed tooth or teeth for use when felling or bucking to pivot the saw and maintain position while sawing.

Chain Brake: A device used to stop the saw chain immediately.

Chain Saw Power Head: A chain saw without the saw chain or guide bar.

Drive Sprocket: The toothed part that drives the saw chain.

Limbing: Removing the branches from a tree.

Felling: The process of cutting down a tree.

Felling Back Cut: The final cut in a tree felling operation made on the opposite side of the tree from the notching undercut.

Kickback: The backward or upward motion, or both, of the guide bar, which occurs when the saw chain near the nose of the top area of the guide bar contacts any object, such as a log or branch, or when the wood closes in and pinches the saw chain in the cut.

Low-Kickback Chain: A chain that complies with the kickback performance requirements of ANSIB175.1 when tested on a representative sample of chain saws.

Normal Cutting Position: Those positions assumed in performing bucking and felling cuts.

Notching Undercut: A notch cut in a tree that directs the tree's fall.

Reduced Kickback Guide Bar: A guide bar that has been demonstrated to reduce kickback significantly.

INTRODUCTION

Congratulations on your selection of the new generation of 56V Lithium-ion powered chain saw. It has been designed, engineered and manufactured to give you the best possible dependability and performance.


Should you experience any problem you cannot easily remedy, please contact EGO customer service center 1-855-EGO-5656.

This manual contains important information on to the safe assembly, operation, and maintenance of your product. Read it carefully before using the product. Keep this manual handy so you can refer to it at any time.

SERIAL NUMBER _____ DATE OF PURCHASE _____

YOU SHOULD RECORD BOTH SERIAL NUMBER AND DATE OF PURCHASE AND KEEP IN A SAFE PLACE FOR FUTURE REFERENCE

SPECIFICATIONS

Voltage	56V 
Guide Bar Length	12" (300mm)
Chain Pitch	3/8" (9.5mm)
Chain Gauge	0.043" (1.1mm)
Chain Type	AC1200
Number of drive links	45
Chain Speed	20m/s
Guide Bar Type	AG1200
Chain Oil Tank Capacity	8.4 fl.oz (250ml)
Operating Temperature	5°F-104°F (-15°C-40°C)
Storage Temperature	-4°F-158° F (-20°C-70°C)
Net Weight (Without battery pack, chain sheath)	7.7 lbs. (3.5 kg)

Recommended Bar and Chain for this Chain Saw

PART NAME	MODEL NUMBER
Guide Bar	AG1200(Recommend) AG1400(Compatible) AG1600(Compatible)
Saw Chain	AC1200(Recommend) AC1400(Compatible) AC1600(Compatible)

PACKING LIST

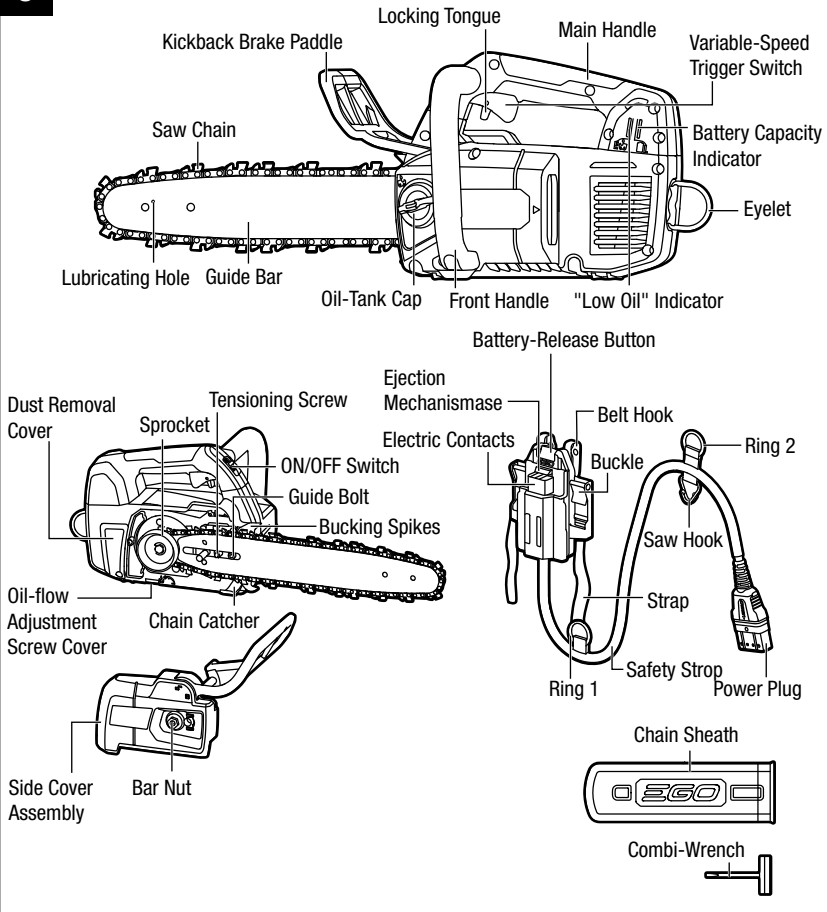
PART NAME	QUANTITY
Chain Saw	1
Chain Sheath	1
Guide Bar	1
Saw Chain	1
Battery Holster	1
Combi-wrench	1
Operator's Manual	1

DESCRIPTION

KNOW YOUR CHAIN SAW (Fig. 8)

The safe use of this product requires an understanding of the information on the tool and in this operator's manual, as well as knowledge of the project you are attempting. Before using this product, familiarize yourself with all operating features and safety rules.

8



Variable-Speed Trigger

Turns the chain saw On and Off and adjusts the chain speed.

Locking Tongue

Helps to prevent accidental or unauthorized activating of the variable-speed trigger. It must be folded up before the variable-speed trigger can be activated.

ON/OFF Switch

Turning the ON/OFF switch to “Off” position locks the variable-speed trigger to prevent the saw from being activated unintentionally.

Kickback Brake Paddle

Serves as the lever for chain brake activation. It also provides protection against projecting branches and helps prevent the left hand from touching the saw chain if it slips off the front handle.

Main Handle

For operating, holding and controlling the chainsaw.

Front Handle

For holding, controlling and carrying the chainsaw.

Dust Removal Cover

Use compressed air to blow the sawdust and chips out of the cooling fin.

Side Cover Assembly

Covers the drive sprocket and secures the guide bar.

Oil-Tank Cap

Seals the oil tank. The combi-wrench (provided) can be used to loosen the cap if it's closed too tightly.

“Low Oil” indicator

Red light flashing – Oil level is low.

Light off – Oil level is normal.

Battery Capacity Indicator

Green light flashing – Battery charge is nearly depleted.

Solid Green light – Battery is adequately charged.

Chain Tensioning Screw

Used to adjust chain tension.

Bar Nut

Keep the side cover assembly and guide bar in place.

Bucking Spikes

Toothed stop for holding saw steady against wood.

Eyelet

For hanging the saw to the harness when working in the tree.

Chain Catcher

Reduces risk of operator contact with the chain if it comes off the bar or breaks.

Safety Strop

It is a lanyard that attaches the chain saw to its user’s climbing harness.

Belt Hook

Hang the battery holster on the climbing harness.

Strap

Fix the battery holster to the climbing harness.

Buckle

Fix the strap in place.

ASSEMBLY

⚠ WARNING: If any parts are damaged or missing, do not operate this product until the parts are replaced. Use of this product with damaged or missing parts could result in serious personal injury.

⚠ WARNING: Do not attempt to modify this product or create accessories not recommended for use with this product. Any such alteration or modification is misuse and could result in a hazardous condition leading to possibly serious personal injury.

⚠ WARNING: To prevent accidental starting that could cause serious personal injury, always remove the battery pack from the product when assembling parts, making adjustments, cleaning, or when not in use.


UNPACKING

- This product need to be assembled.
- Carefully remove the product and any accessories from the box. Make sure that all items listed in the packing list are included.
- Inspect the product carefully to make sure that no breakage or damage occurred during shipping.
- Do not discard the packing material until you have carefully inspected and satisfactorily operated the product.
- If any parts are damaged or missing, please return the product to the place of purchase.

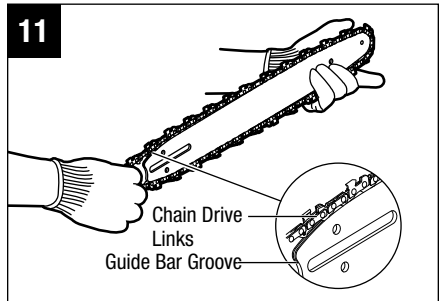
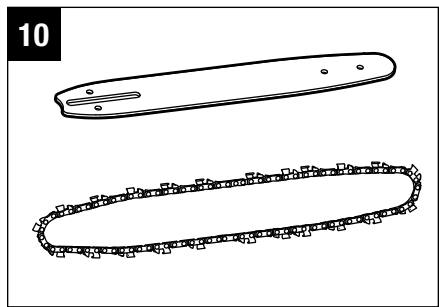
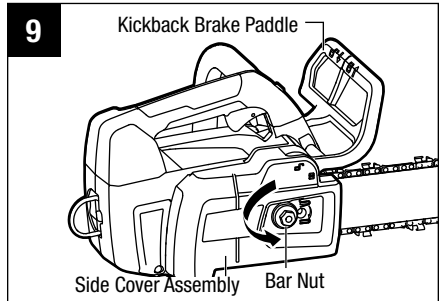
ASSEMBLING AND DISASSEMBLING THE BAR AND CHAIN

⚠ WARNING: Always disconnect the power plug before assembling the saw or performing maintenance on the product.


⚠ WARNING: Never touch or adjust the chain while the motor is running. The saw chain is very sharp; always wear protective gloves when performing maintenance to the chain.

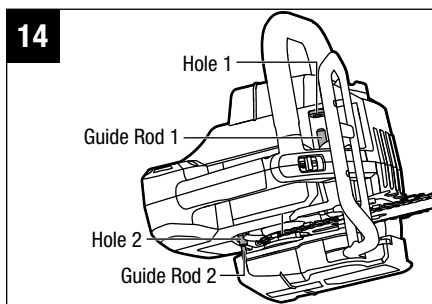
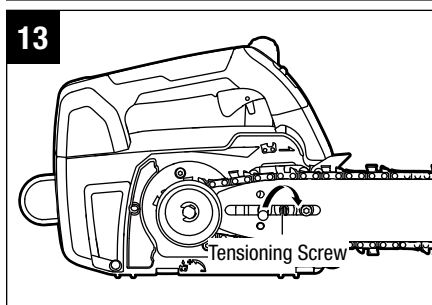
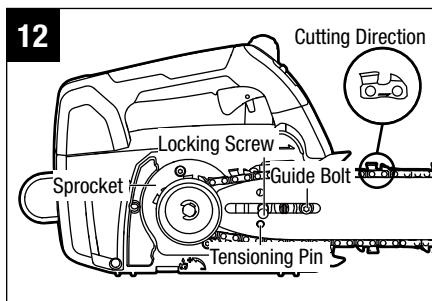
1. Ensure the kickback brake paddle is set to  position.
2. Wear protective gloves, unscrew the bar nut by combi-wrench (provided), then take off the side cover assembly. (Fig. 9).
3. Lay the saw chain in a loop on a flat surface and straighten any kinks (Fig. 10).
4. Place the chain drive links into the guide bar groove and make the chain a loop at the back of the guide bar (Fig. 11).
5. Hold the chain in place on the guide bar and place the loop around the sprocket of the power head and check the following items (Fig.12):

- a) Chain drive links are seated in the teeth of chain sprocket.
- b) Head of locking screw and guide bolt locate in the slot of guide bar.
- c) Tensioning pin is engaged in the hole of guide bar.



NOTICE: Make sure that the direction of the arrows on the saw chain teeth is always facing forward (Fig.12).

6. Turn the tensioning screw clockwise until the chain fits snugly against the bar. Make sure the drive link tangs engage the bar groove. The guide bar and chain must be firmly and securely mounted on the chain saw (Fig. 13).
7. Set the kickback brake paddle to  position, align two guide rods of the side cover assembly with their two respective holes in the saw, then fit the side cover assembly (Fig. 14).
8. Tighten the bar nut.



NOTICE: If the guide bar needs to be replaced, disassemble the side cover assembly and reassemble it with the new guide bar as shown in Fig. 15.

TENSIONING THE SAW CHAIN

⚠ WARNING: Never touch or adjust the chain while the motor is running. The saw chain is very sharp; always wear protective gloves when performing the chain maintenance.

The saw chain expands or contracts during normal saw operation. Chain tension changes as a result. Check chain tension regularly during operation and readjust if necessary.

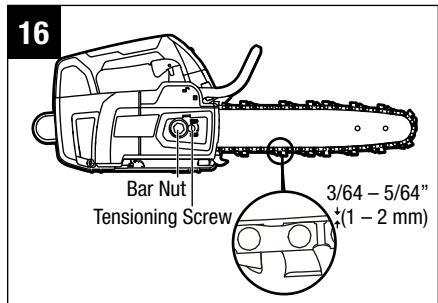
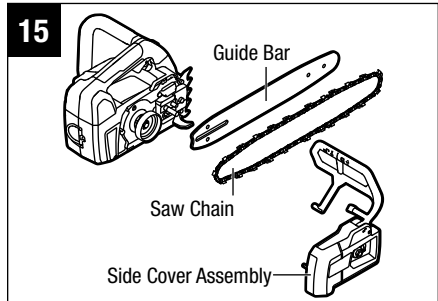
1. Switch off the chainsaw, engage the chain brake, and disconnect the power plug.
2. Loosen the bar nut until the guide bar can be moved freely.
3. Hold the bar nose up and adjust the tensioning screw until the following points apply:

- a) Chain sag in the center of the bar is around $3/64 - 5/64$ " (1 – 2 mm) as shown (Fig. 16).
- b) Disengage the chain brake, ensure the chain can be pulled along the bar with two fingers.

NOTICE: Carefully perform this step to avoid personal injuries. Due to presence of magnetic parts in the electric DC motor, unlike with conventional gasoline chain saws, when you run the saw chain with two fingers, you will feel a certain amount of resistance. It is not as smooth as compared with gasoline chain saw.

4. Hold the bar nose up and tighten the bar nut.

NOTICE: If chain sag in the center of the bar is not $3/64 - 5/64$ " (1 – 2 mm), readjust chain tension.



OPERATION

⚠ WARNING: Do not allow familiarity with this product to make you careless. Remember that a careless fraction of a second is sufficient to inflict serious injury.

⚠ WARNING: Always wear eye protection that is marked to comply with ANSI Z87.1. Failure to do so could result in objects being thrown into your eyes and other possible serious injuries.

⚠ WARNING: Do not use any attachments or accessories not recommended by the manufacturer of this product. The use of attachments or accessories not recommended can result in serious personal injury.

Before each use, inspect the entire product for damaged, missing, or loose parts such as screws, nuts, bolts, etc. Securely tighten all fasteners and caps and do not operate this product until all missing or damaged parts are replaced.

APPLICATIONS

- This chain saw is designed specifically for in-tree surgery and maintenance.
- This chain saw should be used for work in a tree by persons trained in special cutting and working techniques.

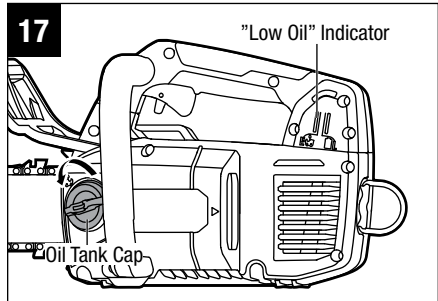
FILLING OIL TANK

⚠ WARNING: To prevent accidental starting that could cause serious personal injury, always disconnect the power plug from the tool before filling the tank with oil.

⚠ WARNING: Do not smoke or bring any fire or flame near the oil or the chain saw. Oil may spill and cause a fire.

NOTICE: The chain saw is not filled with oil at the time of purchase. It is essential to fill the tank with oil before use. Operating the chain saw without chain oil and ignoring the message from the "Low Oil" Indicator (flashing red light) will result in damage to the chain saw. Chain life and cutting capacity depend on optimum lubrication. The chain is automatically lubricated with chain oil during operation.

1. Disconnect the power plug from the chain saw.
2. Clean the oil-tank cap and the area around it to ensure that no dirt falls into the oil tank.
3. Position the chain saw on its side on a firm, flat surface, so that the oil-tank cap is facing upwards. Rotate the oil-tank cap counterclockwise to remove it or use the slot-head of the combi-wrench (provided) to loosen the oil-tank cap, when it is too tight. (Fig. 17)



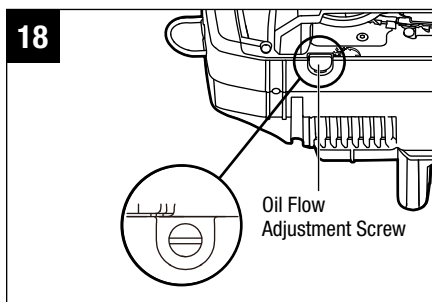
4. Carefully pour the oil into the oil tank. Be careful not to let the oil spill from the opening. Fill to the bottom of the fill neck. Wipe off any excess oil.
5. Rotate the cap clockwise to close it, place the saw upright.

NOTICE:

- Never use oil or other lubricants not specifically designed for use on the bar and chain. This can lead to a clogged oil system, which may cause premature wear of the bar and chain. The recommended oil should be translucent yellow, translucent red, or colorless translucent.
- Check the "Low Oil" indicator frequently never operate the chain saw with the shortage of oil.
- Do not use dirty, used or otherwise contaminated oil. Damage may occur to the bar or chain.
- It is normal for oil to seep from the saw when it is not in use. To prevent seepage, empty the oil tank after each use, and then run the saw for one minute. When storing the tool for a long period of time, be sure the chain is lightly lubricated; this will prevent rust on the chain and bar as well as the inside drive sprocket.
- To preserve natural resources, please recycle or dispose of oil properly. Consult your local waste authority for information regarding available recycling and disposal options.

ADJUSTING OIL FLOW

- This saw is equipped with an **Oil-Flow Adjustment Screw**, located on the bottom of the tool, it is used to adjust the oil flow for lubricating the chain, bar, and cutting system (Fig. 18). Increase or reduce the oil flow by turning the screw (using the combi-wrench) in the direction of arrows marked on the housing.



LED INDICATOR ON THE CHAIN SAW

The chain saw is equipped with 2 LED indicators to indicate oil status and the charge level of the battery pack(s).

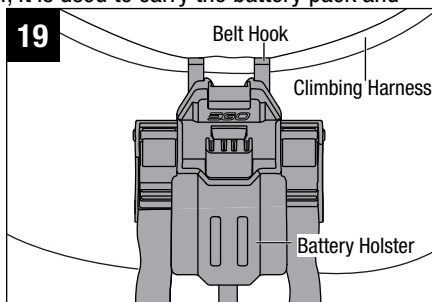
LED indicator		Meaning	Action
"Low Oil" indicator	Flashing red	Lacking oil	Fill the oil tank
	Off	Has the oil	/
Battery indicator	Shining green	Battery pack is adequately charged	/
		Battery pack is nearly depleted and needs to be charged immediately.	Charge the battery

ATTACHING THE BATTERY HOLSTER TO THE CLIMBING HARNESS

This chain saw comes with a battery holster, it is used to carry the battery pack and allows to be attached to the climbing harness (not provided).

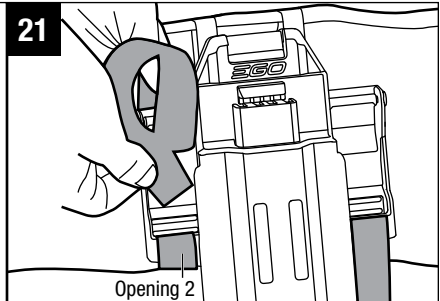
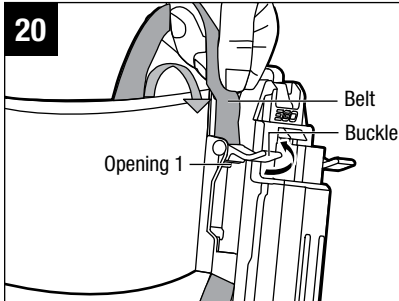
NOTICE: Fasten the battery holster firmly onto the climbing harness, prior to wearing the climbing harness.

⚠ WARNING: The Climbing Harness with quick-release function need to be prepared to prevent the emergency occurs.



- Seek a preferable point for hanging this battery holster on the climbing harness, hang the battery holster on the climbing harness by using the belt hook. (Fig. 19).

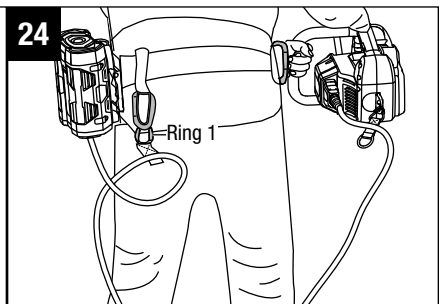
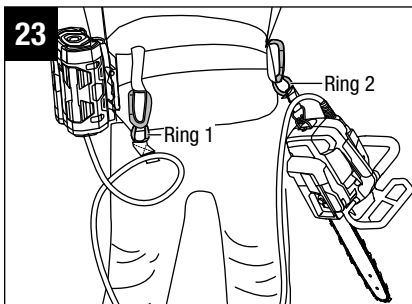
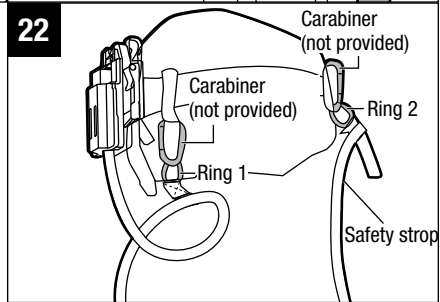
2. Wrap the belt around the climbing harness to fix battery holster in place (Fig. 20 and 21).



3. Attach two rings of the safety stop to the climbing harness by using two carabiners (not provided), as shown below (Fig. 22).

NOTICE:

- When climbing the tree, attach the rings 1 and 2 of the safety stop to the climbing harness by using carabiners [not provided] (Fig. 23).
- When the tool is in use, detach the ring 2 from the climbing harness, hold the saw by two hands to perform your cutting (Fig. 24).



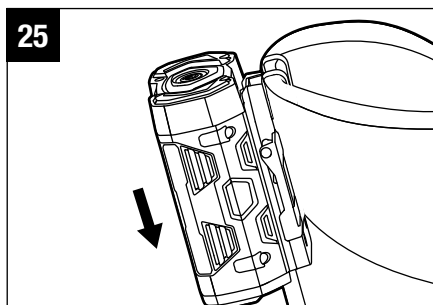
INSTALLING/REMOVING BATTERY PACK

NOTICE: Fully charge the battery pack before its first use.

To Install (Fig. 25)

1. Align the ribs of the battery pack with the mounting slots of the battery holster.
2. Slide the battery pack into the battery holster until it snaps into position.

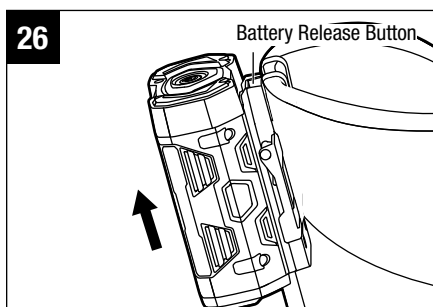
NOTICE: Make sure that the latch on the battery holster snaps into place and the battery pack is secured to the battery holster before beginning operation.



To Remove (Fig. 26)

⚠ WARNING: Always be aware of the location of your feet, children, or pets when pressing the battery release button. Serious injury could result if the battery pack falls. **NEVER** remove the battery pack at a high location.

1. Hold the battery pack in the palm of your hand.
2. Press the battery release button with your thumb; the battery pack will disengage from the latch.
3. Grasp the battery pack and remove it from the battery holster.



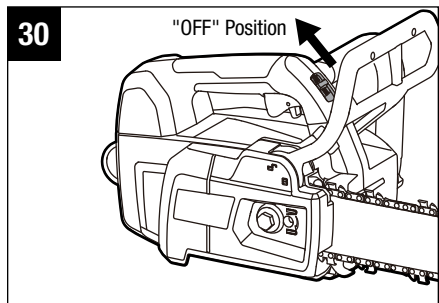
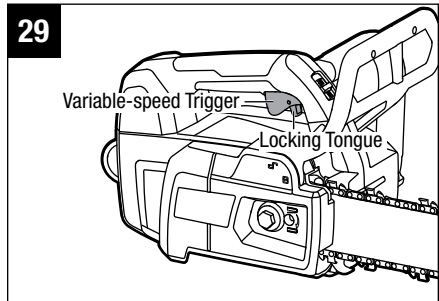
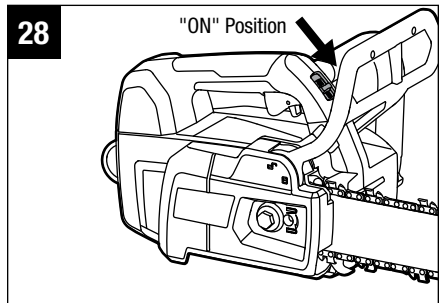
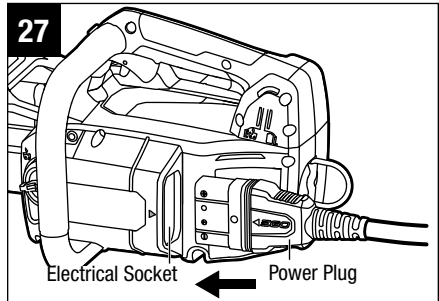
STARTING/STOPPING THE CHAIN SAW

To Start

1. Align the "▲" marks on the power plug and the chain saw's electric socket, then insert the power plug into the chain saw until the GREEN seal on the plug COMPLETELY disappears into the socket (Fig. 27).
2. Push the "ON/OFF" switch to position "ON" (Fig. 28).
3. Pull the kickback brake paddle towards the main handle to the ☞ position.
4. Move the locking tongue forward and then press the variable-speed trigger. The more you pull up the variable-speed trigger, the higher rotating speed of the saw chain is (Fig. 29).

To Stop

1. Release the variable-speed trigger to stop the chain saw.
2. Push the kickback brake paddle forward to the brake position "☞" (Fig. 1).
3. Push the "ON-OFF" switch to position "OFF" (Fig. 30).



NOTICE: The saw chain will continue to rotate for a short while after the variable-speed trigger is released. Take care to avoid contact after releasing the variable-speed trigger and when setting down the chain saw.

⚠ WARNING: Always disconnect the power plug from the chain saw during work breaks and after finishing work.

PREPARATION FOR CUTTING

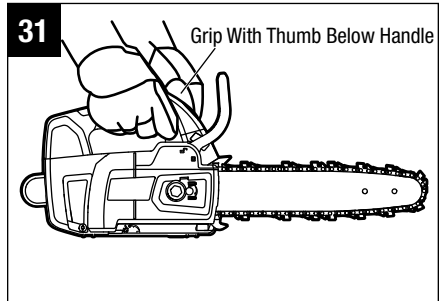
Refer to section “**SAFETY INSTRUCTIONS**” earlier in this manual for appropriate safety equipment.

Work Area Precautions

- Cut only wood or materials made from wood; do not cut sheet metal, plastics, masonry, or non-wood building materials.
- Never allow children to operate the chain saw.
- Allow no person to use this chain saw who has not read this Operator's Manual or received adequate instructions for the safe and proper use of this chain saw.
- Always work within calling distance of others in case help is needed.
- Watch out for obstacles.
- If you work in the tree: Use a fall protection rope to protect yourself.
- If you work in the tree: Secure the chainsaw with a rope tied to the carabiner to prevent the saw from falling to ground.
- Do not cut above chest height, as a saw held higher is difficult to control against kickback forces.
- Working near live electric cables can result in accidental contact with the chain and damage the cables. This can result in serious or fatal injuries.
- Cut only when visibility and light are adequate for you to see clearly.
- Do not work in an easily combustible location.

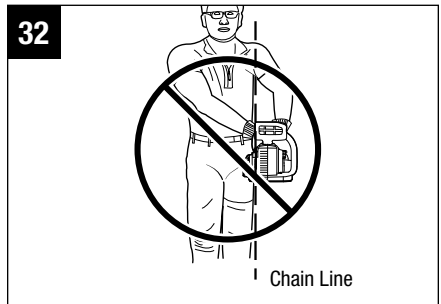
Proper Grip On Handles

- Wear non-slip gloves for maximum grip and protection.
- With the saw on a firm, flat surface, hold the saw firmly with both hands.
- Always grasp the front handle with the left hand and the main handle with the right hand.
- The fingers should encircle the handle, with the thumb wrapped under the front handle (Fig. 31).



⚠ WARNING: Never use a left-handed (cross-handed) grip, or any stance which would place your body or arm across the chain line.

⚠ WARNING: Do not operate the trigger switch with your left hand and hold the front handle with your right hand. Never allow any part of your body to be in the chain line while operating a chain saw (Fig. 32).




⚠ WARNING: The risk of kickback is increased if you use the chainsaw with one hand. If kickback occurs, the saw can be thrown up in the direction of the operator. The operator can lose control of the saw and be seriously or fatally injured.

- a) Do not cut with the upper quadrant of the bar nose.
- b) Never support yourself on the limb being cut.
- c) Never attempt to hold falling limbs.

CHECKING CHAIN LUBRICATION (Fig. 33)

NOTICE: Ensure oil tank of the chain saw has been filled with proper volume of chain oil. Ensure the oil is the recommended translucent yellow, translucent red or colorless translucent.

1. Ensure the kickback brake paddle is set to  position.
2. Hold the guide bar above a light-colored surface.
3. Switch on the saw.

You will see a clear line of oil on the light-colored surface after 1 minute, if chain lubrication is operating properly.

4. If chain oil is still not visible on the light colored surface, refer to the section “ADJUSTING OIL FLOW” to adjust it.

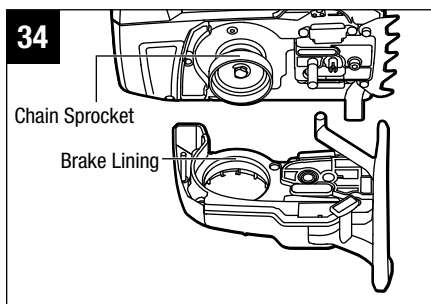
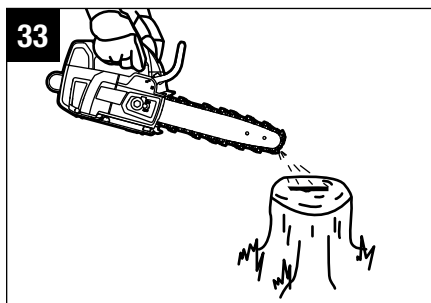
NOTICE: If necessary, check the oil channel in the guide bar and the groove in the edge of the guide bar. Make sure they are clean without any blockage. Clean them if necessary.

OPERATING IN THE TREE

⚠ WARNING: when working or climbing, it is recommended to use the additional support, such as foot stirrup, adjustable lanyard to prevent a swing or a cutting accident.

Before using the chain saw, please check following points:

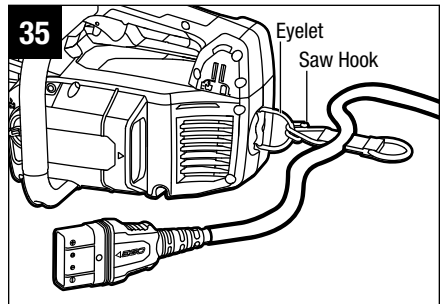
- Check the wear marks on the chain sprocket – if wear marks are deeper than 0.5 mm: contact your EGO service dealer to replace the chain sprocket. Also check the braking system – if wear marks on the brake lining are uneven, contact your EGO service dealer to replace the brake lining (Fig. 34).



- Check the guide bar. See related section: **GUIDE BAR MAINTENANCE**
- Check the saw chain. See related section: **CHAIN MAINTENANCE**
- Testing the chain brake. See related section: **KICKBACK SAFETY DEVICES ON THIS CHAIN SAW**
- Check the controls. See related section: **STARTING/STOPPING THE CHAIN SAW**
- Check the chain lubrication. See related section: **CHECKING CHAIN LUBRICATION**

Securing the saw to the battery holster

Attach the saw hook of the safety stropp to the eyelet (Fig. 35).



MAINTENANCE

⚠ WARNING: To avoid serious personal injury, disconnect the power plug from the chain saw before inspecting, cleaning, or performing maintenance. A battery-operated tool with the power plug inserted is always on and can start accidentally.

⚠ WARNING: When servicing, use only identical replacement parts. Use of any other parts may create a hazard or cause product damage.

⚠ WARNING: Always wear heavy gloves when performing any maintenance on the saw chain. Be careful of the saw chain and protect your hands from being injured by the saw chain.

⚠ WARNING: When cleaning the chain saw, DO NOT immerse it in water or other liquids.

⚠ WARNING: Do not at any time let brake fluids, gasoline, petroleum-based products, penetrating oils, etc., come in contact with plastic parts. Chemicals can damage, weaken, or destroy plastic, which may result in serious personal injury.

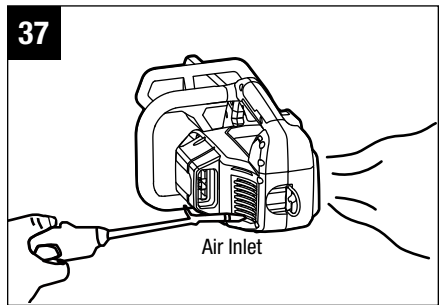
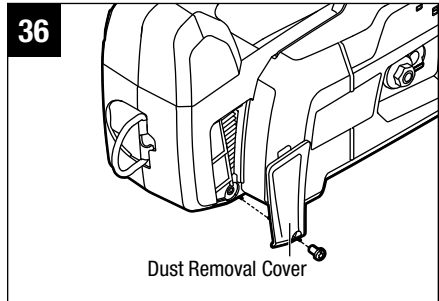
All chain saw service, other than the items listed in this manual, should be performed by a qualified service technician.

CLEANING

- After each use, clean debris from the chain and guide bar with a soft brush. Wipe the chain saw surface with a clean cloth moistened with a mild soap solution.
- For deep clearing, remove the side cover assembly, take down the guide bar and saw chain and then use a soft brush to thoroughly remove debris from the guide bar, saw chain, and the drive sprocket on the chain saw power head.
- Always clean out wood chips, saw dust, and dirt from the guide bar groove when replacing the saw chain.

REMOVE DUST

1. Disconnect the power plug, allow the chain saw to cool and tighten the oil-tank cap.
2. Engage the saw brake.
3. Use combi-wrench (provided) to loosen the screw, then open the dust removal cover (Fig. 36).
4. Clean up the sawdust and chips accumulated in the cooling fin by using compressed dry air, blow it from the opposite side [air inlet] (Fig. 37).



REPLACING THE BAR AND SAW CHAIN

⚠ WARNING: Never touch or adjust the chain while the motor is running. The saw chain is very sharp; always wear protective gloves when performing maintenance to the chain.

NOTICE: When replacing the guide bar and chain, always use the specified bar and chain combination listed in the later section “**Recommended Bar and Chain for this Chain Saw**”.

See related section: **ASSEMBLING AND DISASSEMBLING THE BAR AND CHAIN**

Please do the following:

- a) Allow the chain saw to cool. Tighten the oil-tank cap to prevent oil leakage.
- b) This is a good time to inspect the drive sprocket, and brake lining for excessive wear or damage.

CHAIN MAINTENANCE

Use only low-kickback chains on this saw. This fast cutting chain will provide kickback reduction when properly maintained.

A properly sharpened saw chain cuts through wood effortlessly, even with very little pressure. Never use a dull or damaged saw chain. A dull saw chain cutter leads to increased physical strain, increased vibration load, unsatisfactory cutting results, and increased wear.

For smooth and fast cutting, the chain needs to be maintained properly. The chain requires sharpening when the wood chips are small and powdery, the chain must be forced through the wood during cutting, or the chain cuts to one side. During maintenance of your chain, consider the following:

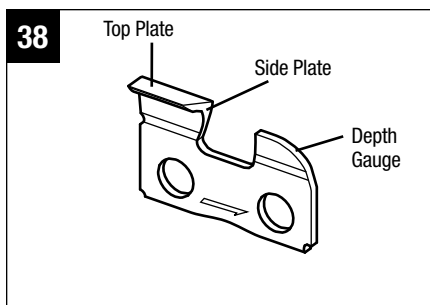
- Improper filing angle of the side plate can increase the risk of a severe kickback.
- Depth gauge clearance. Too low increases the potential for kickback. Not low enough decreases cutting ability.
- If cutter teeth have hit hard objects, such as nails and stones, or have been abraded by mud or sand on the wood, have the chain sharpened by a qualified service technician.

NOTICE: Inspect the drive sprocket, brake lining for wear or damage when replacing the chain. If signs of wear or damage are present in the areas indicated, have the drive sprocket, brake lining replaced by qualified service technician.

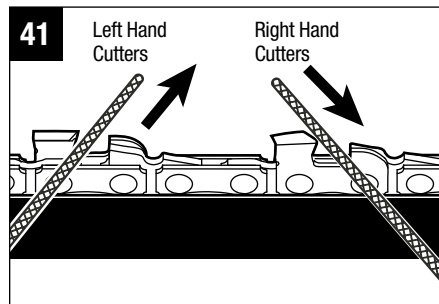
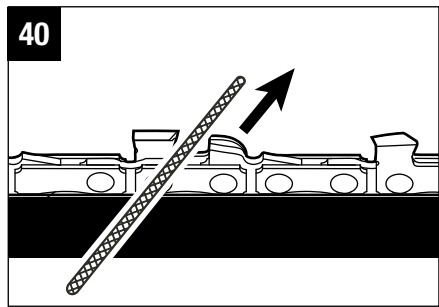
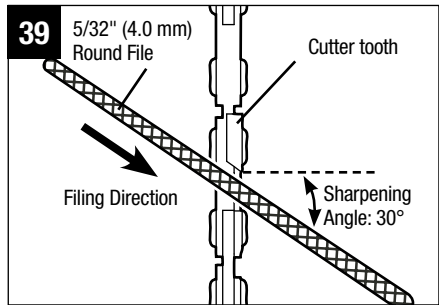
How to Sharpen the Cutters

Be careful to file all cutters (Fig. 38) to the specified angles and to the same length, as fast cutting can be obtained only when all cutters are uniform.

1. Disconnect the power plug. Wear gloves for protection.
2. Make sure that the chain is properly mounted and the bar nut of the side cover assembly is fully tightened, and the chain is correctly tensioned.
3. Use a 5/32" (4.0 mm) diameter round file and holder (available separately). Do all of your filing at the middle position of the guide bar for perfect balance.
4. Keep the file level with the top plate of the tooth. Do not let the file dip or rock.



5. Keep a correct sharpening angle of 30° between the file and the saw chain; see Fig.39& 40. Always use a file holder (available separately) when sharpening saw chains by hand. File holders have markings for the sharpening angle.
6. Using light but firm pressure, stroke towards the front corner of the tooth. Lift the file away from the steel on each return stroke.
7. Make a few firm strokes on every tooth. File all left-hand cutters in one direction. Then move to the other side and file the right-hand cutters in the opposite direction. Occasionally remove filings from the file with a wire brush (Fig.41).



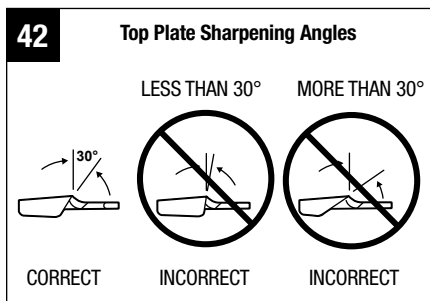
⚠ WARNING: A dull or improperly sharpened chain can cause excessive motor speed during cutting, which may result in severe motor damage.

⚠ WARNING: Improper chain sharpening increases the potential of kickback.

⚠ WARNING: Failure to replace or repair a damaged chain can cause serious injury.

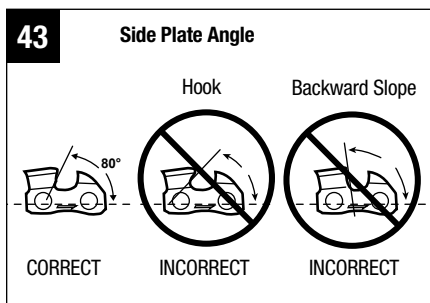
Top Plate Sharpening Angles (Fig. 42)

- CORRECT 30°**- This optimal angle can be obtained only when the specified files and proper setting are used. File holders are marked with guide marks to align the file properly to produce the correct top plate angle.
- LESS THAN 30°**- The tooth is too dull for cutting.
- MORE THAN 30°**- The edge of the cutting tooth is feathered and dulls quickly.



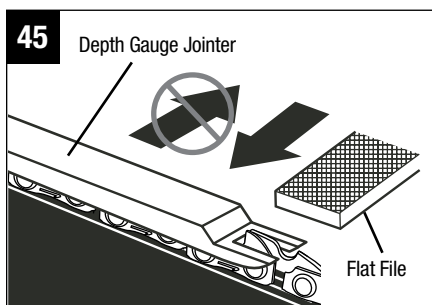
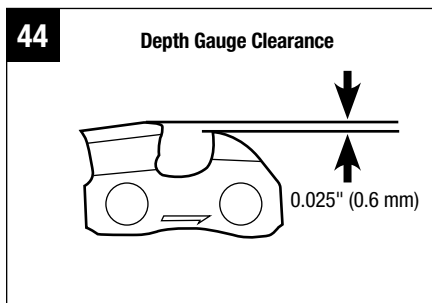
Side Plate Sharpening Angle (Fig. 43)

- CORRECT 80°**- The optimal angle can be produced automatically if the correct diameter file is used in the file holder.
- HOOK** “Grabs” and dulls quickly. Increases potential of KICKBACK. Results from using a file with a diameter that is too small, or a file held too low.
- BACKWARD SLOPE** Needs too much feed pressure, causes excessive wear to bar and chain. Results from using a file with a diameter too large, or a file held too high.



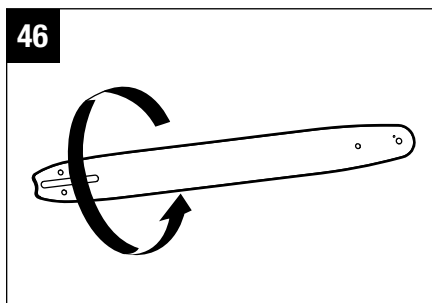
Depth-Gauge Clearance

1. The depth gauge should be maintained at a clearance of 0.025 in. (0.6 mm), as shown in Fig.44. Use a depth-gauge tool (available separately) to check the depth-gauge clearances.
2. Check the depth-gauge clearance every time the chain is filed. Use a flat file and a depth-gauge jointer (both available separately) to lower all gauges uniformly (Fig.45). Depth-gauge jointers are available from 0.020 in. to 0.035 in. (0.5 mm to 0.9 mm). Use a 0.025 in. (0.6 mm) depth-gauge jointer.
3. Depth-gauges must be adjusted with the flat file in the same direction the adjoining cutter was filed with the round file. Use care not to contact the cutter face with the flat file when adjusting depth-gauges.



GUIDE BAR MAINTENANCE

When the guide bar shows signs of wear, disassemble it from the chain saw power head and reverse it for reassembly (Fig. 46), in which case it will distribute the wear for maximum bar life.



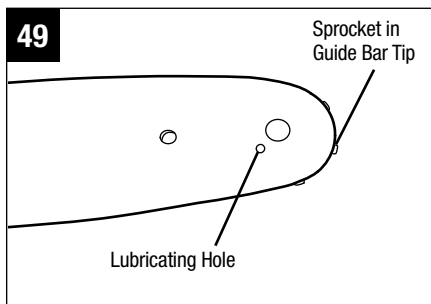
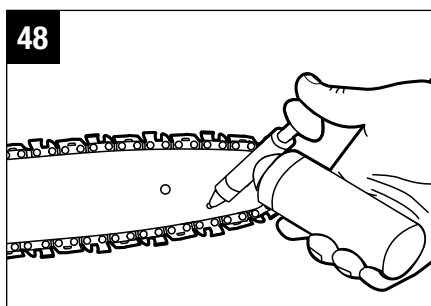
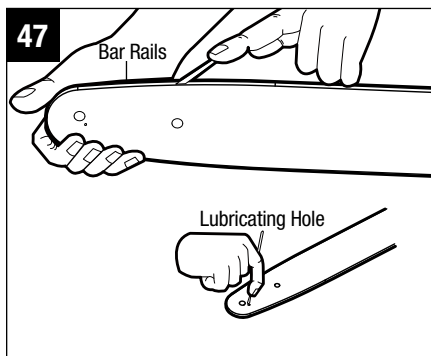
The bar should be cleaned (including bar rails and lubricating hole) every day of use and checked for wear and damage (Fig. 47). Feathering or burring of the bar rails is a normal process of bar wear. Such faults should be smoothed with a file as soon as they occur. A bar with any of the following faults should be replaced. See the section **“REPLACING THE BAR AND CHAIN”** in this manual.

- Wear inside the bar rails which permits the chain to lay over sideways.
- Bent guide bar.
- Cracked or broken rails.
- Spread rails.

The guide bar has a sprocket at its tip that must be lubricated weekly with a grease syringe to extend the guide bar life (Fig. 48 & 49). Turn the nose sprocket while pumping the **translucent yellow, translucent red or colorless translucent** grease into the lubricating hole until the entire sprocket has new grease. Do not push dirt into the hole.

TRANSPORTING AND STORING

- Do not store or transport the chain saw when it is running. Always disconnect the power plug before storing or transporting.
- Always place the guide bar sheath on the guide bar and chain before storing or transporting the chain saw. Use caution to avoid the sharp teeth of the chain.
- Clean the chain saw thoroughly before storing. Store the chain saw indoors, in a dry place that is locked and/or inaccessible to children.
- Keep away from corrosive agents such as garden chemicals and de-icing salts.



TROUBLESHOOTING

PROBLEM	CAUSE	SOLUTION
Motor does not start.	<ul style="list-style-type: none"> ■ The power plug of battery holster is not attached to the chain saw. ■ No electrical contact between the battery holster and battery. ■ The “ON-OFF” switch is positioned to OFF. ■ Chain brake is engaged. ■ Other. 	<ul style="list-style-type: none"> ■ Insert the power plug of battery holster to the chain saw. ■ Detach battery, check contacts and reinstall the battery pack. ■ Turn the “ON-OFF” switch to ON. ■ Pull the kickback brake paddle backward toward the front handle, arriving at the operating position. ■ Contact EGO Customer Service for repair.
Chain saw stops running during operation.	<ul style="list-style-type: none"> ■ The battery pack or chain saw is too hot. ■ The chain saw is overloaded. ■ The ventilation channel is blocked with wood chips and dust. ■ The battery pack is depleted. ■ Other. 	<ul style="list-style-type: none"> ■ Cool the battery pack or chain saw. ■ Decrease the load. ■ Clean the ventilation channel. Refer to the “REMOVE DUST” section. ■ Charge the battery pack. ■ Contact EGO Customer Service for repair.
Chain brake does not engage.	<ul style="list-style-type: none"> ■ Debris preventing full movement of the chain kickback brake handle. ■ Possible chain brake malfunction. 	<ul style="list-style-type: none"> ■ Clean debris from external chain brake mechanism. ■ Contact EGO Customer Service for repair.

PROBLEM	CAUSE	SOLUTION
<p>No oil lubrication when cutting.</p>	<ul style="list-style-type: none"> ■ Oil solidification in low temperature. ■ The oil outlet of chain bar is blocked. ■ The oil tank is empty. ■ Other. 	<ul style="list-style-type: none"> ■ Change to the proper lubricating oil (suitable for low temperature). ■ Clean up the dust in the oil outlet. ■ Fill the oil tank with bar and chain lubricant. ■ Contact EGO Customer Service for repair.
<p>“Low Oil” indicator flashes in red color or showing abnormal light while the oil tank filled with oil.</p>	<ul style="list-style-type: none"> ■ Use of the chain saw at a particular angle is preventing the oil in the oil tank from entering the oil pipe. ■ A lubricant other than the recommended translucent yellow, translucent red or colorless translucent oil is used. ■ Other. 	<ul style="list-style-type: none"> ■ Place the chain saw flat and try again. ■ Do not use black oil. Switch to a recommended oil. ■ Contact EGO Customer Service for repair
<p>“Low Oil” indicator fails to function when the oil tank is almost empty.</p>	<ul style="list-style-type: none"> ■ The category and color of oil cannot be identified. ■ A small amount of oil still in the oil tank or oil pipe. ■ Other. 	<ul style="list-style-type: none"> ■ Use the recommended translucent yellow, translucent red or translucent oil. ■ Use chain saw for a while and then observe low oil indicator again. ■ Contact EGO Customer Service for repair.

WARRANTY

EGO WARRANTY POLICY

5-year limited warranty on EGO POWER+ outdoor power equipment and portable power for personal, household use.

3-year limited warranty on EGO POWER+ System battery packs and chargers for personal, household use. An additional 2-year extended warranty applies for the 10.0Ah battery whether sold separately (Model# BA5600T) or included with any tool, if it is registered within 90 days of purchase. 5-year limited warranty on CHV1600 charger, designed for use with Zero Turn Riding Mower for personal, household use.

2 year/1year limited warranty on EGO outdoor power equipment, portable power, battery packs, and chargers for professional and commercial use.

The detailed warranty periods by products can be found online at

<http://egopowerplus.com/warranty-policy>.

Please contact EGO Customer Service Toll-Free at 1-855-EGO-5656 any time you have questions or warranty claims.

LIMITED SERVICE WARRANTY

EGO products are warranted against defects in material or workmanship from the date of original retail purchase for the applicable warranty period. Defective product will receive free repair.

- a) This warranty applies only to the original purchaser from an authorized EGO retailer and may not be transferred. Authorized EGO retailers are identified online at <http://egopowerplus.com/warranty-policy>.
- b) The warranty period for reconditioned or factory certified products used for residential purpose is 1 year, for industrial, professional or commercial purpose is 90 days.
- c) The warranty period for routine maintenance parts, such as, but not limited to, ride-on mower seat, wheels, tires, anti-scalp wheels, brake disc, friction block, blades, trimmer heads, chain bars, saw chains, belts, scraper bars, rubber paddles, augers, skid shoes, blower nozzles, and all other EGO accessories is 90 days for residential purpose, 30 days for industrial, professional or commercial purpose. These parts are covered for 90/30 days from manufacture defects in normal working conditions.
- d) This warranty is void if the product has been used for rental purpose.



- e) This warranty does not cover the damage resulting from modification, alteration or unauthorized repair.
- f) This warranty only covers defects arising under normal usage and does not cover any malfunction, failure or defect resulting from misuse, abuse (including overloading of the product beyond capacity and immersion in water or other liquid), accidents, neglect or lack of proper installation, and improper maintenance or storage.
- g) This warranty does not cover normal deterioration of the exterior finish, including but not limited to scratches, dents, paint chips, or to any corrosion or discoloring by heat, abrasive and chemical cleaners.

HOW TO OBTAIN SERVICE

For warranty service, please contact EGO customer service toll-free at **1-855-EGO-5656**. When requesting warranty service, you must present the original dated sales receipt. An authorized service center will be selected to repair the product according to the stated warranty terms. When bringing your product to the authorized service center, there may be a small deposit that will be required when dropping off your tool. This deposit is refundable when the repair service is deemed to be covered under warranty.

ADDITIONAL LIMITATIONS

To the extent permitted by applicable law, all implied warranties, including warranties of MERCHANTABILITY or FITNESS FOR A PARTICULAR PURPOSE, are disclaimed. Any implied warranties, including warranties of merchantability or fitness for a particular purpose, that cannot be disclaimed under state law are limited to the applicable warranty period defined at the beginning of this article.

Chervon North America is not responsible for direct, indirect, incidental or consequential damages.

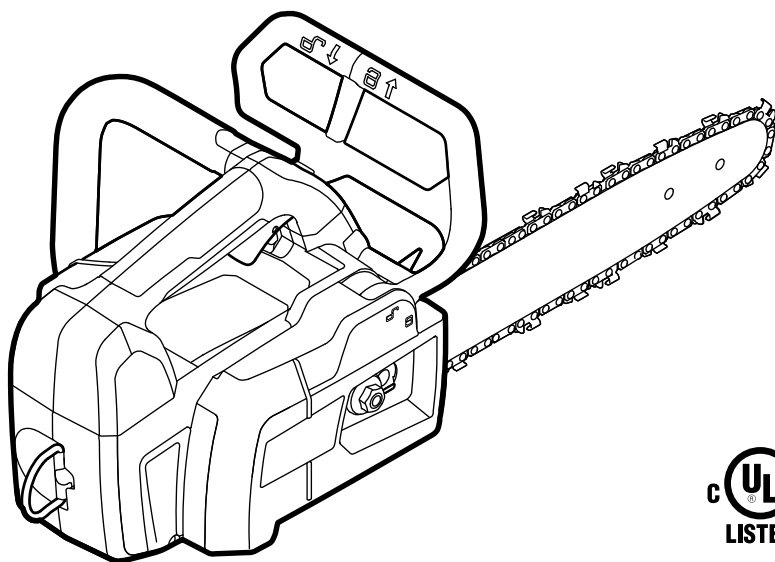
Some states do not allow limitations on how long an implied warranty lasts and/or do not allow the exclusion or limitation of incidental or consequential damages, so the above limitations may not apply to you.

This warranty gives you specific legal rights, and you may also have other rights which vary from state to state.

For customer service contact us toll-free at: **1-855-EGO-5656 or EGOPOWERPLUS.COM**. EGO Customer Service, 769 SEWARD AVE NW / Suite 102 Grand Rapids, MI 49504

EGO™

POWER⁺ CHAIN SAW



REPLISSEZ LE RÉSERVOIR D'HUILE
AVEC DU LUBRIFIANT À CHAÎNE ET À
GUIDE CHAÎNE AVANT LA PREMIÈRE
UTILISATION

GUIDE D'UTILISATION

SCIE À CHAÎNE DE 30 CM / 12 PO, 56 V, À PILES AU LITHIUM-ION

NUMÉRO DE MODÈLE CSX3000/CSX3000-FC

⚠ AVERTISSEMENT : Afin de réduire les risques de blessure, l'utilisateur doit lire et comprendre le guide d'utilisation avant d'utiliser ce produit. Conservez le présent guide afin de pouvoir le consulter ultérieurement.

TABLE DES MATIÈRES

Symboles de sécurité	52
Consignes de sécurité	53-66
Lexique	67
Introduction	68
Caractéristiques techniques	69
Liste des pièces contenues dans l'emballage	70
Description	71-73
Assemblage	74-77
Fonctionnement	78-88
Entretien	89-96
Dépannage	97-99
Garantie	100-102

LISEZ TOUTES LES INSTRUCTIONS!



VOUS DEVEZ LIRE ET COMPRENDRE
TOUTES LES INSTRUCTIONS DU GUIDE.

⚠ AVERTISSEMENT : Certaines poussières produites par l'utilisation d'outils de coupe électriques contiennent des produits chimiques reconnus par l'État de Californie comme causes de cancers, d'anomalies congénitales et de problèmes du système reproducteur. Voici des exemples de ces produits chimiques :

- le plomb contenu dans la peinture au plomb;
- la silice cristallisée contenue dans les briques, le ciment et d'autres produits de maçonnerie; et
- l'arsenic et le chrome contenus dans le bois d'œuvre traité avec des produits chimiques.

Les risques liés à l'exposition à ces produits varient en fonction de la fréquence à laquelle vous effectuez ce type de travaux. Pour réduire votre exposition à ces produits chimiques, travaillez dans une zone bien ventilée et portez l'équipement de sécurité approuvé, comme les masques antipoussières conçus pour ne pas laisser passer les particules microscopiques.

SYMBOLES DE SÉCURITÉ

L'objectif des symboles de sécurité est d'attirer votre attention sur les dangers potentiels. Vous devez examiner attentivement et bien comprendre les symboles de sécurité et les explications qui les accompagnent. Les symboles d'avertissement en tant que tels n'éliminent pas le danger. Les consignes et les avertissements qui y sont associés ne remplacent en aucun cas les mesures préventives adéquates.

⚠ AVERTISSEMENT : Avant d'utiliser l'outil, assurez-vous de lire et de comprendre toutes les consignes de sécurité présentées dans ce guide d'utilisation, notamment toutes les consignes de sécurité indiquées par « **DANGER** », « **AVERTISSEMENT** » et « **MISE EN GARDE** ». Le fait de ne pas respecter toutes les consignes de sécurité ci-dessous peut causer un choc électrique, un incendie ou des blessures graves.

SIGNIFICATION DES SYMBOLES

⚠ SYMBOLE D'ALERTE DE SÉCURITÉ : indique un **DANGER**, un **AVERTISSEMENT** ou une **MISE EN GARDE**. Il peut être associé à d'autres symboles ou pictogrammes.



⚠ AVERTISSEMENT! L'utilisation de tout outil électrique peut entraîner la projection de corps étrangers dans les yeux et ainsi causer des lésions oculaires graves. Avant d'utiliser un outil électrique, veillez à toujours porter des lunettes de sécurité couvrantes ou à écrans latéraux, ou un masque complet au besoin. Nous recommandons le port d'un masque de sécurité panoramique par-dessus les lunettes de vue ou de lunettes de sécurité standard avec écrans latéraux. Portez toujours un équipement de protection oculaire conforme à la norme ANSI Z87.1.

CONSIGNES DE SÉCURITÉ

Vous trouverez ci-dessous les symboles de sécurité qui peuvent être présents sur le produit, accompagnés de leur description. Vous devez lire, comprendre et suivre toutes les instructions présentes sur l'appareil avant de commencer à l'assembler ou à le manipuler.

	Alerte de sécurité	Indique un risque de blessure.
	Assurez-vous de lire et de comprendre le guide d'utilisation	Pour réduire le risque de blessure, l'utilisateur doit lire et comprendre le mode d'emploi avant d'utiliser ce produit.
	Portez des lunettes de sécurité	Portez toujours des lunettes de protection ou des lunettes de sécurité à écrans latéraux et un masque couvrant tout le visage lors de l'utilisation de ce produit.
	Portez des protecteurs d'oreilles.	Le bruit émis par la scie à chaîne peut endommager votre ouïe. Portez toujours un dispositif de protection des oreilles (protège-oreilles ou bouchons d'oreilles) pour protéger votre ouïe.
	Portez un casque.	Portez un casque dur de sécurité agréé pour protéger votre tête.
	Portez des gants de protection.	Protégez vos mains avec des gants lorsque vous touchez la scie et la chaîne de la scie. Des gants épais et antidérapants améliorent votre préhension et protègent vos mains.
	Faites toujours attention au risque de choc en retour.	Il faut éviter tout contact entre la pointe de la barre de guidage et un objet quelconque.

	Choc en retour de la pointe de la barre de guidage	Un tel contact de la pointe peut causer un mouvement soudain de la barre de guidage vers le haut et vers l'arrière, ce qui risquerait de causer des blessures graves.
	Préhension avec les deux mains	Tenez toujours la scie à chaîne des deux mains.
	Symbole de recyclage	Le produit fonctionne à l'aide de piles au lithium-ion (Li-ion). La législation locale, provinciale ou fédérale peut interdire la mise au rebut des piles dans les ordures ménagères. Consultez l'organisme local de gestion des déchets au sujet des options de mise au rebut ou de recyclage.
IPX5	Indice de protection	Protection contre les éclaboussures d'eau
	Courant continu	Type de courant ou caractéristique de courant
V	Volt	Tension
mm	Millimètre	Longueur ou taille
in.	Pouce	Longueur ou taille
kg	Kilogramme	Poids
lb	Livre	Poids
ml	Millimètre	Volume
fl.oz	Once liquide	Volume
°C	Celsius Température	Température
°F	Tours par minute	Température

ADVERTENCIAS DE SEGURIDAD GENERAL EN EL MANEJO DE HERRAMIENTAS ELÉCTRICAS QUE FUNCIONAN CON BATERÍAS

⚠ AVERTISSEMENT! Lisez tous les avertissements, instructions, illustrations et spécifications fournis avec cet outil électrique. Le non-respect des consignes de sécurité ci-dessous peut occasionner un choc électrique, un incendie ou des blessures graves.

Conservez tous les avertissements et toutes les instructions afin de pouvoir les consulter ultérieurement.

Le terme « outil électrique » dans les avertissements fait référence à votre outil électrique à cordon électrique branché dans une prise secteur ou à votre outil électrique à piles (sans fil).

SÉCURITÉ DE L'AIRE DE TRAVAIL

- **Maintenez l'aire de travail propre et bien éclairée.** Les aires de travail sombres et encombrées sont propices aux accidents.
- **N'utilisez pas d'outils électriques dans un milieu explosif, par exemple où il y a présence de liquides, de vapeurs ou de poussières inflammables.** Les outils électriques produisent des étincelles susceptibles d'enflammer ces poussières ou ces vapeurs.
- **Gardez les enfants et les autres personnes à l'écart lorsque vous utilisez un outil électrique.** Une distraction peut vous faire perdre la maîtrise de l'outil.

SÉCURITÉ PERSONNELLE

- **Soyez vigilant, prêtez attention à ce que vous faites et usez de votre jugement lorsque vous utilisez un outil électrique.** N'utilisez pas un outil électrique lorsque vous êtes fatigué ou sous l'effet de drogues, d'alcool ou de médicaments. Un moment d'inattention pendant que vous utilisez des outils électriques peut occasionner des blessures graves.
- **Utilisez des équipements de protection personnelle.** Portez toujours des équipements de protection des yeux. Des équipements de protection tels qu'un masque de protection contre la poussière, des chaussures de sécurité antidérapantes, un casque ou un dispositif de protection de l'ouïe utilisés en fonction des conditions réduiront le nombre des blessures.

- **Prenez des mesures afin d'éviter que l'outil se mette en marche accidentellement. Assurez-vous que l'interrupteur est sur la position d'arrêt avant de brancher l'outil sur un bloc-piles, de le ramasser ou de le transporter.** Transporter les outils électriques avec le doigt sur l'interrupteur ou brancher les outils lorsque l'interrupteur est en position de marche augmente les risques d'accident.
- **Retirez toutes les clés de réglage de l'outil électrique avant de le mettre en marche.** Une clé de réglage oubliée sur une pièce mobile de l'outil électrique peut entraîner des blessures.
- **Ne vous étirez pas pour étendre votre portée. Gardez une posture sécuritaire et un bon équilibre en tout temps.** Cela permet de mieux contrôler l'outil électrique dans des situations inattendues.
- **Habillez-vous convenablement. Ne portez pas de vêtements amples ni de bijoux. Gardez vos cheveux et vos vêtements loin des pièces mobiles.** Les vêtements amples, les bijoux et les cheveux longs risquent de se prendre dans les pièces en mouvement.
- **Si un dispositif permet de raccorder un dé poussiéreur, assurez-vous que celui-ci est branché et utilisé de manière appropriée.** L'emploi d'un dé poussiéreur contribue à réduire les dangers liés à la poussière.
- **Même si vous connaissez parfaitement ces outils parce que vous les utilisez souvent, soyez vigilant et respectez les principes de sécurité.** Il suffit d'être négligent une fraction de seconde pour se blesser gravement.
- **Keep cables away from the working area of the tool.** During operation cables may be hidden from view and can be accidentally damaged by the tool.

UTILISATION ET ENTRETIEN DE L'OUTIL ÉLECTRIQUE

- **Ne forcez pas l'outil électrique. Utilisez l'outil électrique approprié à la tâche que vous souhaitez accomplir.** L'utilisation de l'outil électrique approprié permet d'obtenir de meilleurs résultats, de façon plus sécuritaire, selon le régime de fonctionnement prévu.
- **N'utilisez pas l'outil électrique si l'interrupteur ne fonctionne pas.** Tout outil électrique qui ne peut être commandé au moyen de l'interrupteur est dangereux et doit être réparé.
- **Retirez, si possible, le bloc-piles de l'outil électrique ou actionnez tout dispositif de désactivation du bloc-piles avant de dégager un objet coincé, d'effectuer des réglages, de changer d'accessoires ou de nettoyer ou de ranger les outils électriques.** Ces mesures de sécurité préventives réduisent les risques de mise en marche accidentelle de l'outil électrique.
- **Rangez l'outil électrique à l'arrêt hors de la portée des enfants et n'autorisez pas une personne ne sachant pas s'en servir ou n'ayant pas lu ces instructions à l'utiliser.** Les outils électriques sont dangereux s'ils se retrouvent entre les mains d'utilisateurs qui ne savent pas s'en servir.

- **Entretenez les outils électriques et les accessoires. Vérifiez les pièces mobiles pour vous assurer qu'elles ne sont pas désalignées, enrayées, brisées, ou dans un état qui pourrait nuire à leur fonctionnement. Si l'outil électrique est endommagé, faites-le réparer avant de l'utiliser.** De nombreux accidents sont provoqués par des outils électriques et des accessoires mal entretenus.
- **Gardez vos outils tranchants affûtés et propres.** Des outils tranchants bien entretenus et dont les lames sont affûtées risquent moins de se bloquer et sont plus faciles à maîtriser.
- **Utilisez l'outil électrique, les accessoires, les embouts ou autres conformément aux instructions, en tenant compte des conditions de travail et du travail à effectuer.** L'utilisation de l'outil électrique à des fins autres que celles auxquelles il est destiné pourrait entraîner une situation dangereuse.
- **Les poignées et autres surfaces de préhension doivent toujours être sèches, propres et exemptes d'huile ou de graisse.** Les poignées et autres surfaces de préhension glissantes peuvent entraîner une manipulation non sécuritaire ou une perte de contrôle de l'outil.
- Maintenez les câbles à distance de la zone de travail de l'outil. Pendant l'utilisation, il se peut que des câbles ne soient pas visibles et qu'ils soient endommagés accidentellement par l'outil.

UTILISATION ET ENTRETIEN DU BLOC-PILE

- **Rechargez uniquement le bloc-piles à l'aide du chargeur approuvé par le fabricant.** Un chargeur conçu pour un type de bloc-piles peut causer un incendie s'il est utilisé avec un autre bloc-piles.
- **Utilisez les outils électriques uniquement avec les blocs-piles désignés.** L'utilisation de tout autre bloc-piles peut constituer un risque de blessure et d'incendie.
- **Lorsque vous n'utilisez pas le bloc-piles, conservez-le à l'écart d'autres objets métalliques, comme des trombones, des pièces de monnaie, des clés, des clous, des vis et d'autres petits objets métalliques qui peuvent connecter une borne à une autre.** Un court-circuit entre les bornes du bloc-piles peut occasionner des brûlures ou un incendie.
- **Dans de mauvaises conditions, un liquide peut être éjecté du bloc-piles; évitez tout contact avec celui-ci. En cas de contact accidentel, rincez à grande eau. Si vos yeux entrent en contact avec ce liquide, consultez un médecin.** Le liquide provenant des piles peut causer de l'irritation ou des brûlures.
- **N'utilisez pas un bloc-piles ou un outil endommagé ou modifié.** Les blocs-piles modifiés ou endommagés peuvent fonctionner de façon imprévisible et présenter un risque d'incendie, d'explosion ou de blessures.

- **N'exposez pas un bloc-piles ou un outil à un feu ou à une température excessive.** L'exposition au feu ou à une température supérieure à 265 °F (130°C) peut provoquer une explosion.
- **Suivez toutes les instructions pour le chargement et ne chargez pas le bloc-piles ou l'outil en dehors de la plage de température précisée dans les instructions.** Une recharge inadéquate ou effectuée à des températures en dehors de la plage précisée peut endommager le bloc-piles et augmenter le risque d'incendie.

ENTRETIEN

- **Demandez à un technicien qualifié qui utilise seulement des pièces de rechange identiques aux pièces d'origine d'effectuer l'entretien de votre outil électrique.** Vous vous assurerez ainsi que l'outil électrique demeure sécuritaire.
- **Ne réparez jamais un bloc-piles endommagé.** Seuls le fabricant et les fournisseurs de services autorisés peuvent effectuer la réparation d'un bloc-piles.

AVERTISSEMENTS DE SÉCURITÉ : SCIE À CHAÎNE

Avertissements généraux relatifs à la sécurité pour la scie à chaîne :

- **Gardez toutes les parties de votre corps à une distance suffisante de la chaîne de la scie lorsque la scie est en marche. Avant de mettre la scie à chaîne en marche, assurez-vous qu'elle n'est pas en contact avec un quelconque objet.** Un simple moment d'inattention pendant que vous utilisez une scie à chaîne pourrait causer l'enchevêtrement d'un de vos vêtements ou de votre corps avec la chaîne de la scie.
- **Tenez toujours la scie à chaîne avec votre main droite placée sur la poignée arrière et votre main gauche sur la poignée avant.** Le fait de tenir la scie à chaîne dans une configuration caractérisée par l'inversement de la position des mains augmenterait le risque de blessure. Il ne faut donc jamais tenir la scie dans une telle configuration des mains.
- **Tenez seulement la scie à chaîne par ses surfaces de préhension isolées, parce que la chaîne de la scie pourrait entrer en contact avec des fils électriques sous tension dissimulés.** L'entrée en contact de la chaîne de la scie avec un fil sous tension pourrait rendre conductrices des parties en métal exposées de la scie à chaîne et causer un choc électrique à l'opérateur.
- **Portez des lunettes de sécurité. Des équipements de protection supplémentaire pour les oreilles, la tête, les mains, les jambes et les pieds sont recommandés.** Des équipements de protection adéquats réduiront les blessures corporelles causées par la projection de débris ou par un contact accidentel avec la chaîne de la scie.
- **N'utilisez pas une scie à chaîne sur une échelle, depuis un toit ou sur tout support instable.** L'utilisation d'une scie à chaîne de cette manière pourrait causer des blessures corporelles graves.

- **Gardez toujours un bon équilibre et utilisez la scie à chaîne uniquement lorsque vous vous trouvez sur une surface fixe, sûre et de niveau.** Les surfaces glissantes ou instables peuvent vous faire perdre l'équilibre ou vous faire perdre le contrôle de la scie à chaîne.
- **Lorsque vous coupez une branche qui est sous tension, soyez alerte en raison du risque de choc en retour.** Lorsque la tension dans les fibres de bois est relâchée, la branche sous tension risque de heurter l'opérateur et/ou de lui faire perdre le contrôle de la scie à chaîne.
- **Faites preuve d'une grande prudence lorsque vous coupez des broussailles et des jeunes arbres.** Les morceaux de bois minces risquent d'être attrapés par la chaîne de la scie et projetés vers vous à grande vitesse ou de vous tirer vers l'avant et de vous déséquilibrer.
- **Transportez la scie à chaîne par la poignée après l'avoir mise hors tension et en la tenant éloignée de votre corps.** Lorsque vous transportez la scie à chaîne, ou lorsque vous la rangez, placez toujours le cache de la barre de guidage sur la scie de façon appropriée. Une manipulation correcte de la scie à chaîne réduira le risque de contact accidentel avec la scie à chaîne en mouvement.
- **Suivez les instructions pour graisser, pour optimiser la tension de la chaîne et pour changer la barre et la chaîne.** Une chaîne dont la tension ou la lubrification n'est pas appropriée pourrait se casser ou accroître le risque de choc en retour.
- **Ne coupez que du bois. N'utilisez pas la scie à chaîne dans des buts pour lesquels elle n'a pas été conçue. Par exemple : n'utilisez pas la scie à chaîne pour couper du métal, du plastique, de la maçonnerie ou des matériaux de construction autres que du bois.** L'utilisation de la scie à chaîne pour des opérations différentes de celles pour lesquelles elle est conçue pourrait causer une situation dangereuse.
- **Ne tentez pas d'abattre un arbre avant d'avoir compris les risques et d'avoir trouvé le moyen de les éviter.** L'abattage d'un arbre pourrait causer des blessures graves à l'opérateur ou à d'autres personnes se trouvant à proximité quand l'arbre tombe.
- **Cette scie à chaîne n'est pas conçue pour abattre des arbres. L'utilisation de la scie à chaîne pour des opérations différentes de celles pour lesquelles elle a été conçue pour causer des blessures graves à l'opérateur ou à des personnes se trouvant à proximité.**
- **Suivez toutes les instructions lorsque vous déblayez des matériaux coincés ou lorsque vous rangez la scie à la chaîne ou lorsque vous effectuez des opérations d'entretien de cet outil.** Assurez-vous que l'interrupteur est en position d'arrêt et que le bloc-piles a été retiré. Une mise en marche inattendue de la scie à chaîne pendant que l'opérateur s'efforce d'en retirer des matériaux coincés ou d'effectuer une opération d'entretien pourrait causer une blessure personnelle grave.

- **Ne vous servez pas d'une scie à chaîne dans un arbre à moins d'avoir reçu une formation spécifique pour ce genre d'opération.** L'utilisation d'une scie à chaîne dans un arbre sans avoir reçu la formation appropriée pourrait augmenter le risque de blessures graves.

CAUSES DES CHOCS EN RETOUR, ET PRÉVENTION DE TELS CHOCS PAR L'OPÉRATEUR

Un choc en retour peut se produire lorsque la pointe ou l'extrémité de la barre de guidage entre en contact avec un objet, ou quand le bois coupé cause un pincement de la chaîne.

Dans certains cas, le contact de la pointe peut causer un choc en retour projetant la barre de guidage vers le haut et vers l'arrière, en direction de l'opérateur.

Le pincement de la chaîne de la scie le long du haut de la barre de guidage peut pousser très vite la barre de guidage vers l'arrière, dans la direction de l'opérateur.

L'une quelconque de ces réactions peut vous faire perdre le contrôle de la scie, ce qui pourrait causer des blessures graves. Ne comptez pas exclusivement sur les mécanismes de sécurité incorporés à votre scie. En tant qu'utilisateur de la scie à chaîne, il vous incombe de prendre certaines mesures pour éviter les accidents ou les blessures lorsque vous vous servez de cette scie.

Le choc en retour est la conséquence d'une utilisation incorrecte de la scie et/ou de conditions inappropriées ou de procédures opérationnelles incorrectes ; il peut être évité en prenant des précautions appropriées, comme cela est indiqué ci-dessous :

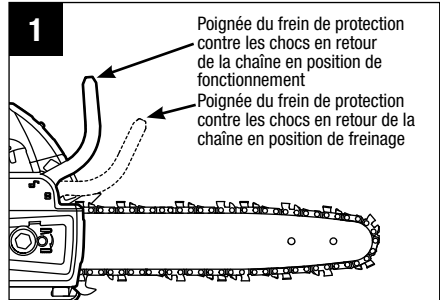
- **Maintenez une prise ferme, avec les pouces et les doigts autour des poignées de la scie à chaîne, avec les deux mains sur la scie et en positionnant votre corps et votre bras de façon à vous permettre de résister à la force d'un choc en retour.** L'opérateur peut contrôler les forces de l'effet de rebond s'il prend des précautions appropriées. Ne cessez jamais de tenir fermement la scie à chaîne.
- **Ne vous penchez pas excessivement en avant et ne coupez pas plus haut que la hauteur de vos épaules.** Ceci contribue à prévenir un contact accidentel avec la pointe et assure un meilleur contrôle de la scie à chaîne dans des situations inattendues.
- **N'utilisez que des barres de guidage et des chaînes de scie de remplacement spécifiées par le fabricant.** Des barres de guidage et des chaînes de scie de remplacement incorrectes pourraient causer la cassure de la chaîne et/ou un effet de rebond.

- **Suivez les instructions du fabricant pour l'affûtage et la maintenance de la chaîne de la scie.** La réduction de la hauteur de la jauge de profondeur peut causer des risques accrus de choc en retour.

DISPOSITIFS DE PROTECTION CONTRE LES CHOC EN RETOUR SUR CETTE SCIE À CHAÎNE

Frein de la chaîne

La scie à chaîne est munie d'un frein de chaîne qui arrête à la fois le moteur et le mouvement de la chaîne en cas de choc en retour. Le frein de la chaîne peut être activé par le mouvement vers l'avant de la pédale de freinage de protection contre les chocs en retour de la chaîne lorsque la scie tourne vers l'arrière pendant un choc en retour ; il peut aussi être activé par les forces d'inertie produites pendant une poussée rapide vers l'arrière.



⚠ AVERTISSEMENT : Ne modifiez jamais, ou ne tentez jamais de désactiver, le frein de la chaîne. Assurez-vous que le frein de la chaîne fonctionne correctement avant de commencer à utiliser la scie à chaîne. La poignée du frein de protection contre les chocs en retour de la chaîne doit pouvoir avancer et reculer facilement.

Pour tester le fonctionnement du frein de la chaîne, suivez la procédure ci-dessous (Fig. 1):

- Placez la scie à chaîne sur une surface plate nue et assurez-vous qu'il n'y a pas dans les environs immédiats d'objets ou d'obstructions qui pourraient entrer en contact avec la barre et la chaîne.
- Désengagez le frein de la chaîne en tirant sur la poignée du frein de protection contre les chocs en retour de la chaîne pour le rapprocher de la poignée avant.
- Mettez la scie à chaîne en marche.
- Poussez la poignée du frein de protection contre les chocs en retour de la chaîne vers l'avant de la scie. Un frein à main fonctionnant correctement arrêtera immédiatement le mouvement de la chaîne. Si le frein de la chaîne ne fonctionne pas correctement, n'utilisez pas la scie à chaîne avant de l'avoir fait réparer par un technicien de service compétent.

⚠ AVERTISSEMENT : Confirmez que le frein de la chaîne fonctionne correctement avant chaque utilisation.

⚠ AVERTISSEMENT : Si le frein de la chaîne est obstrué par des copeaux de bois, il risque de fonctionner de façon inadéquate à la longue. Nettoyez régulièrement ce dispositif.

Scie à chaîne à faible effet de rebond

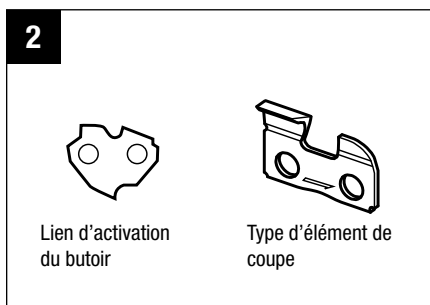
Les jauges de profondeur en forme de rampes à l'avant de chaque élément de coupe peuvent minimiser la force d'un choc en retour en empêchant les éléments de coupe de s'enfoncer trop profondément dans la zone de rebond. Utilisez seulement une chaîne de remplacement qui est équivalente à la chaîne d'origine ou qui a été certifiée comme étant une chaîne à faible effet de rebond conformément à la norme ANSI B175.1. Une scie à chaîne dentelée à faible effet de rebond est une chaîne qui satisfait aux exigences de performance en matière de chocs en retour de la norme ANSI B175.1 (American National Standard for Power Tools - Gasoline-Powered Chain Saws - Safety Requirements) quand elle est testée sur l'échantillon représentatif de scies à chaîne ci-dessous 3.8 c.i.d. spécifié dans la norme ANSI B175.1.

Le lien d'activation du butoir (Fig. 2) contribue également à réduire la force des chocs en retour.

⚠ MISE EN GARDE : Étant donné que les chaînes de scie sont affûtées tout au long de leur durée de vie utile, elles perdent une partie de leurs qualités de faible effet de rebond, et il faut donc faire particulièrement attention quand ces chaînes deviennent usagées.

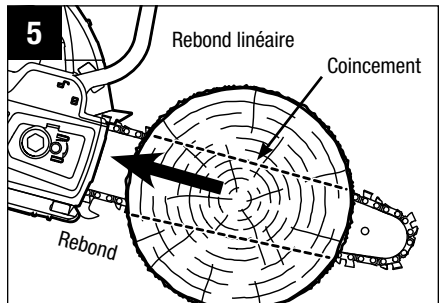
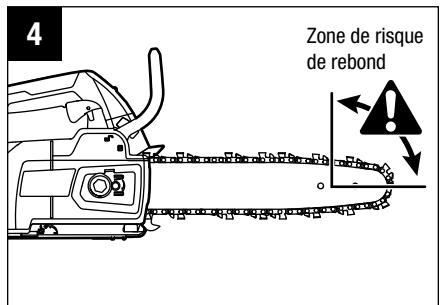
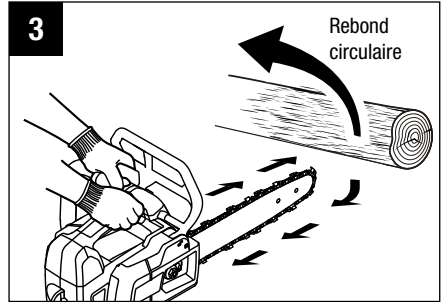
BARRE DE GUIDAGE

Cette scie est pourvue d'une barre de guidage qui a une pointe à faible rayon d'action. Les pointes à faible rayon d'action ont généralement un potentiel réduit en matière de protection contre les chocs en retour. Lorsque vous remplacez la barre de guidage, assurez-vous de commander la barre indiquée dans le mode d'emploi.

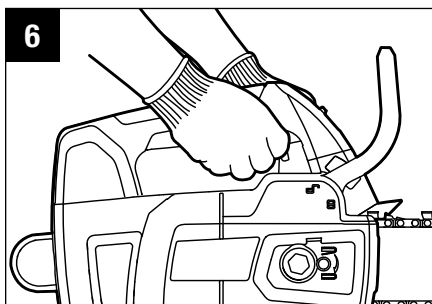


AVERTISSEMENTS SUPPLÉMENTAIRES

- Toute personne utilisant cet outil pour la première fois devrait au minimum s'entraîner en coupant des bûches sur un baudet ou un chevalet de sciage.
- **Une compréhension élémentaire des rebonds (figures 3 à 5) vous permettra de réduire ou d'éliminer l'élément de surprise.** La surprise contribue aux accidents.
- **Assurez-vous que la zone dans laquelle vous faites la coupe est dépourvue d'obstacles.** Assurez-vous que le bout du guide-chaîne ne rencontre ni grume, ni branche, ni clôture, ni tout autre obstacle pendant que vous manipulez la scie à chaîne.
- **Inspectez la pièce à travailler avant la coupe pour repérer tout clou, câble ou autre corps étranger.**
- **Planifiez vos travaux : assurez-vous d'avoir une aire de travail dépourvue d'obstacles et, si vous abattez un arbre, prévoyez au moins une voie de retraite pour échapper à la chute de l'arbre.**
- **Lorsque vous abattez un arbre, maintenez toute personne à une distance d'au moins deux fois la longueur de l'arbre.**
- **Gardez une posture sécuritaire et un bon équilibre en tout temps.**

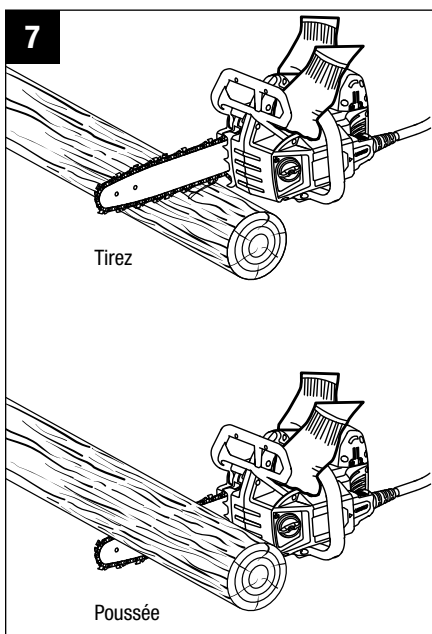


- **Une scie à chaîne doit être utilisée à deux mains.** Manipuler la scie avec une seule main pourrait occasionner des blessures graves à l'utilisateur et aux personnes se trouvant à proximité (figure 6).



- **L'outil doit toujours tourner à pleine vitesse lors des coupes.** Enfoncez complètement la gâchette et conservez la vitesse de coupe.

- **Poussée et traction** – la force d'un rebond va toujours dans la direction opposée à celle de la chaîne à l'endroit où le contact avec le bois a lieu. Cela veut dire que vous devez être prêt à contrôler la TRACTION lorsque vous coupez à l'aide du bas du guide-chaîne et que vous devez résister à la POUSSÉE lorsque vous coupez avec le haut du guide-chaîne (figure 7).



- **La fatigue augmente les risques de manque d'attention. Faites preuve d'encore plus de vigilance juste avant les périodes de pause et vers la fin de votre période de travail.**

- Lorsque vous transportez votre scie à chaîne, utilisez les caches appropriés pour le transport, qui devraient être disponibles pour la barre de guidage et pour la scie à chaîne.

- Méfiez-vous des intoxications au monoxyde de carbone. N'utilisez la scie à chaîne que dans des endroits bien ventilés.

- **Évitez tout contact involontaire avec la chaîne de la scie immobile ou la rainure du guide-chaîne.** Elles peuvent être très coupantes. Portez toujours des gants et des pantalons ou des jambières de protection pour manipuler la scie à chaîne, la chaîne de la scie ou le guide-chaîne.

- **N'utilisez jamais une scie à chaîne endommagée, mal ajustée ou qui n'est pas assemblée complètement et de façon sécuritaire.** Assurez-vous que la chaîne de la scie s'immobilise quand vous relâchez la gâchette.

- **Immobilisez la pièce à travailler avant de la tronçonner. Avant d'abattre ou d'élaguer un arbre, repérez et immobilisez les branches dangereuses.**
- **Une coupe mal exécutée, effectuée avec brusquerie ou un usage inapproprié de la scie à chaîne pourraient user prématurément le guide-chaîne, la chaîne ou le pignon d'entraînement et occasionner le bris de ces éléments (donnant lieu à des rebonds), le déraillement de la chaîne ou l'éjection de matériaux.**
- **N'utilisez jamais le guide-chaîne comme un levier.** Un guide-chaîne plié peut entraîner l'usure prématurée de ce guide, de la chaîne et du pignon d'entraînement, ou encore le bris de la chaîne et du guide-chaîne, ce qui pourrait donner lieu à des rebonds, au déraillement de la chaîne et à l'éjection de matériaux.
- **Ne coupez qu'une pièce à travailler à la fois.**
- **N'essayez pas d'attraper des sections qui tombent ou de faire des coupes si l'opérateur n'est attaché qu'avec une seule corde.** Utilisez toujours deux cordes de sécurité.
- **Pendant les opérations d'abattage, enlevez immédiatement votre protection auditive après la fin de l'opération de sciage.** Il est important que vous entendiez les sons et les signaux d'avertissement.
- **Si la scie à chaîne est bloquée par un objet :** Mettez la scie à chaîne hors tension, engagez le frein de la chaîne et retirez la fiche d'alimentation électrique, puis retirez l'objet qui est à l'origine du blocage.
- **Vérifiez régulièrement la tension de la chaîne pendant les travaux de coupe.** Si la tension de la chaîne n'est pas suffisante : Tension de la chaîne.
- **Les informations contenues dans ce mode d'emploi ne sauraient se substituer à la connaissance du métier et à l'expérience.** Si vous ne savez pas comment utiliser ce produit, adressez-vous à une personne qui connaît son métier et a de l'expérience en la matière.
- **Ce produit comporte un risque accru de perte de contrôle. Seules des personnes ayant reçu une formation spéciale en techniques de coupe et de travail forestier devraient utiliser ce produit dans un arbre.** L'opérateur doit pouvoir disposer d'équipements de sécurité tels qu'un chariot élévateur, des cordes et une ceinture de sécurité. Des scies à chaîne ordinaires sont recommandées pour tout le travail au niveau du sol.

- **Suivez les instructions sur les techniques spéciales de coupe et de travail pour réduire le risque de blessure. Ne travaillez pas dans un arbre à moins d'avoir reçu une formation professionnelle pour faire un tel type de travail.** Cette formation inclut des techniques pour grimper en toute sécurité et des positions de travail appropriées. Vous devez apprendre à utiliser des équipements tels que des ceintures de sécurité et des harnais, des cordes, des crampons et des mousquetons d'escalade.
- **Quand une scie à chaîne est utilisée, un extincteur doit toujours être disponible.**
- **N'utilisez qu'avec les blocs-piles et chargeurs indiqués ci-dessous :**

BLOC-PILES	CHARGEUR
BA1400, BA1400-FC, BA2800, BA2800-FC, BA4200, BA4200-FC, BA1400T, BA1400T-FC, BA2800T, BA2800T-FC, BA4200T, BA4200T-FC, BA5600T, BA5600T-FC, BA2240T, BA2240T-FC	CH2100, CH2100-FC, CH5500, CH5500-FC, CH2800D, CH2800D-FC, CHX5500, CHX5500-FC; CH7000, CH7000-FC

- **Ne chargez pas le bloc-piles sus la pluie ou dans des endroits mouillés.**
- **Si des situations qui ne sont pas traitées dans ce mode d'emploi surviennent, faites attention et utilisez votre jugement. Contactez le centre de service à la clientèle d'EGO pour obtenir de l'assistance.**

CONSERVEZ CES INSTRUCTIONS !

LEXIQUE TERMINOLOGIQUE

Applicateur automatique d'huile : Un système qui lubrifie automatiquement la barre de guidage et la chaîne de la scie.

Tronçonnage : Processus consistant à couper le tronc d'un arbre abattu ou des bûches pour produire plusieurs tronçons.

Crampons d'appui pour le tronçonnage : La dent pointue ou les dents pointues devant être utilisée(s) lors de l'abattage ou du tronçonnage pour faire pivoter la scie et la maintenir en position pendant le sciage.

Frein de la chaîne : Un dispositif utilisé pour arrêter immédiatement la chaîne de la scie.

Ensemble moteur de la scie à chaîne : Une scie à chaîne sans la chaîne de la scie ou la barre de guidage

Pignon d'entraînement : La partie dentée qui entraîne la chaîne de la scie.

Ébranchage : Enlèvement des branches d'un arbre.

Abattage : Le processus consistant à abattre un arbre.

Coupe arrière d'abattage : La coupe finale dans une opération d'abattage d'arbre effectuée du côté opposé de l'arbre par rapport à l'encoche d'abattage initiale.

Effet de rebond/choc en retour : Le mouvement vers l'arrière ou vers le haut, ou les deux, de la barre de guidage, qui se produit lorsque la chaîne de scie près de la pointe de la zone supérieure de la barre de guidage entre en contact avec un objet, comme une bûche ou une branche, ou lorsque le bois se referme et se pince la chaîne de scie dans le trait de coupe.

Chaîne à faible effet de rebond : Une chaîne qui fonctionne conformément aux exigences de performance en matière de protection contre les chocs en retour de la norme ANSIB175.1 quand elle est testée sur un échantillon représentatif de scies à chaîne.

Position de coupe normale : Les positions adoptées en effectuant des coupes de tronçonnage et d'abattage.

Encoche d'abattage initiale : Une encoche dans un arbre qui déterminera la direction de la chute de l'arbre.

Barre de guidage à effet de rebond réduit : Une barre de guidage qui a démontré qu'elle pouvait réduire considérablement les chocs en retour.

INTRODUCTION

Félicitations pour votre sélection d'une nouvelle génération de scies à chaîne alimentées par des piles au lithium-ion de 56 V. Elle a été conçue, développée et fabriquée pour vous donner le plus possible de fiabilité et de rendement.


Si vous éprouvez un problème que vous n'arrivez pas à régler facilement, veuillez communiquer avec le centre de service à la clientèle d'EGO au 1 855 EGO-5656.

Le présent guide contient des renseignements importants pour assembler, utiliser et entretenir en toute sécurité votre scie à chaîne. Lisez-le soigneusement avant d'utiliser la scie à chaîne. Conservez ce guide à portée de main afin de pouvoir le consulter à tout moment.

NUMÉRO DE SÉRIE _____ DATE D'ACHAT _____

NOUS VOUS RECOMMANDONS DE NOTER LE NUMÉRO DE SÉRIE ET LA DATE D'ACHAT ET DE LES CONSERVER EN LIEU SÛR AFIN DE POUVOIR LES CONSULTER ULTÉRIEUREMENT.

CARACTÉRISTIQUES TECHNIQUES

Tension	56V 
Longueur du guide-chaîne	300 mm (13 po)
Pas de chaîne	9,5 mm (3/8 po)
Calibre	1,1 mm (0,043 po)
Type de chaîne	AC1200
Nombre de maillons d'entraînement	45
Vitesse de rotation de la chaîne	20m/s
Type de guide-chaîne	AG1200
Capacité du réservoir d'huile de la chaîne	250 ml (8.4oz)
Température de fonctionnement recommandée	-15°C-40°C(5°F-104°F)
Température de stockage recommandée	-20°C-70°C(-4°F-158°F)
Poids net (sans le bloc-piles et la gaine de la chaîne)	7.7 lbs. (3.5 kg)

Guide-chaîne et chaîne recommandés pour cette scie à chaîne

NOM DE PIÈCE	NUMÉRO DE MODÈLE
Guide-chaîne	AG1200 (Modèle recommandé) AG1400(Compatible) AG1600(Compatible)
Chaîne de la scie	AC1200 (Modèle recommandé) AC1400(Compatible) AC1600(Compatible)

LISTE DES PIÈCES

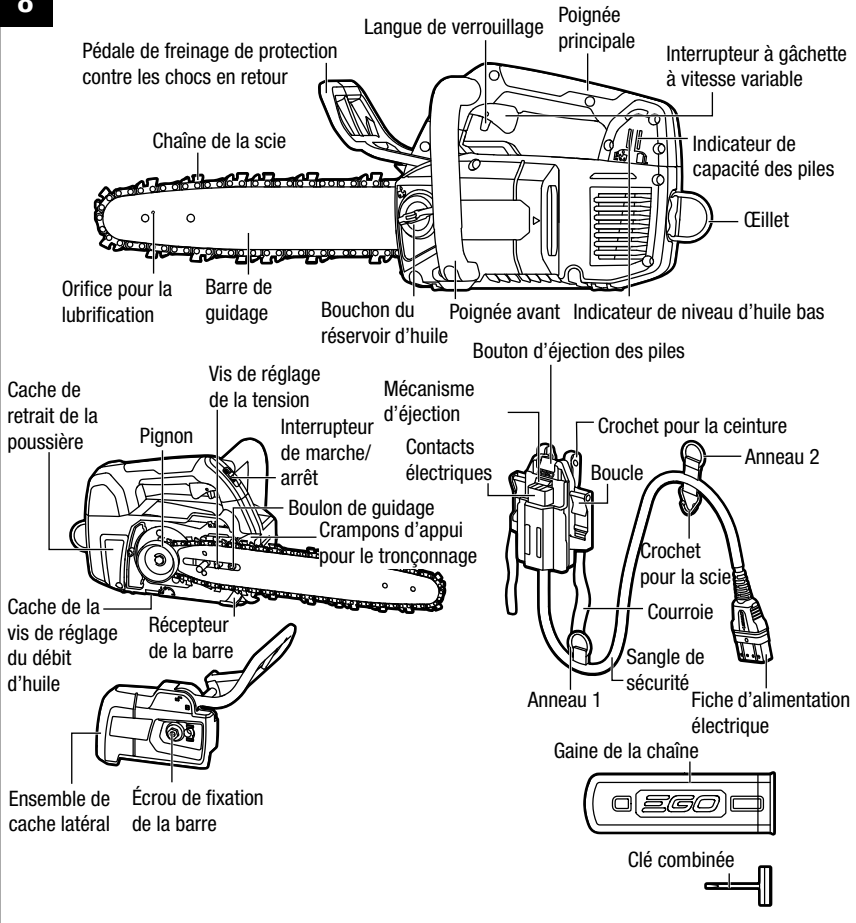
NOM DE LA PIÈCE	QUANTITÉ
Scie à chaîne	1
Gaine de la chaîne	1
Barre de guidage	1
Chaîne de la scie	1
Étui pour les piles	1
Clé combinée	1
Mode d'emploi	1

DESCRIPCIÓN

FAMILIARISEZ-VOUS AVEC VOTRE SCIE À CHAÎNE (Fig. 8)

Pour utiliser ce produit en toute sécurité, vous devez comprendre les renseignements figurant sur le produit et dans le présent guide d'utilisation et connaître le projet que vous entreprenez. Avant d'utiliser ce produit, familiarisez-vous avec toutes les caractéristiques de fonctionnement et consignes de sécurité.

8



Interrupteur à vitesse variable

Permet de mettre en marche et d'arrêter la scie à chaîne et d'ajuster la vitesse de la chaîne.

Langue de verrouillage

Contribue à empêcher une activation accidentelle ou non autorisée de la gâchette de l'interrupteur à vitesse variable. Elle doit être repliée avant que la gâchette de l'interrupteur à vitesse variable puisse être activée.

Interrupteur de marche/arrêt

Le fait de mettre l'interrupteur de marche-arrêt dans la position d'arrêt verrouille la gâchette de l'interrupteur à vitesse variable pour prévenir une activation non intentionnelle de la scie.

Pédale de freinage de protection contre les chocs en retour

Sert de levier pour l'activation du frein de la chaîne. Cette palette fournit également une protection contre les branches pouvant être projetées, et elle aide à empêcher la main gauche d'entrer en contact avec la chaîne de la scie en cas de perte de contrôle de la poignée avant.

Poignée principale

Pour utiliser, tenir et contrôler la scie à chaîne.

Poignée avant

Pour tenir, contrôler et transporter la scie à chaîne.

Cache de retrait de la poussière

Utilisez de l'air comprimé pour souffler la sciure de bois et les copeaux en dehors de l'ailette de refroidissement.

Ensemble de cache latéral

Couvre les maillons d'entraînement de la chaîne et sécurise la barre de guidage.

Bouchon du réservoir d'huile

Ferme le réservoir d'huile de façon étanche. La clé combinée (fournie) peut être utilisée pour desserrer le bouchon s'il a été fermé de façon excessivement serrée.

Indicateur de niveau d'huile bas

Voyant rouge clignotant – le niveau d'huile est bas.

Voyant éteint – le niveau d’huile est normal.

Indicateur de capacité des piles

Voyant vert clignotant – les piles sont presque complètement déchargées.

Voyant vert allumé en permanence – les piles sont chargées de façon adéquate.

Vis de réglage de la tension

Sert à ajuster la tension de la chaîne.

Écrou de fixation de la barre

Sert à maintenir l’ensemble de cache latéral et de barre de guidage en place.

Crampons d’appui pour le tronçonnage

Butée dentée pour tenir la scie fermement contre le bois.

Œillet

Pour suspendre la scie au harnais lorsque vous travaillez dans l’arbre.

Récepteur de la chaîne

Réduit le risque de contact de l’opérateur avec la chaîne si elle se détache de la barre ou se casse.

Sangle de sécurité

C’est un cordon d’assujettissement qui attache la scie à chaîne au harnais d’escalade de son utilisateur.

Crochet pour la ceinture

Pour accrocher l’étui des piles au harnais d’escalade.

Courroie

Pour accrocher l’étui des piles au harnais d’escalade.

Boucle

Pour fixer la courroie à sa place.

ASSEMBLAGE

⚠ AVERTISSEMENT : S'il y a des pièces manquantes ou endommagées, ne tentez pas d'utiliser cet article tant que ces pièces n'auront pas été remplacées. Le fait d'utiliser cet article avec des pièces endommagées ou manquantes pourrait entraîner des blessures graves.

⚠ AVERTISSEMENT : Ne tentez pas de modifier cet article ou de créer des accessoires qui ne sont pas recommandés pour cet article. Toute modification est considérée comme un usage inapproprié et peut créer une situation dangereuse susceptible d'entraîner des blessures graves.

⚠ AVERTISSEMENT : Pour empêcher une mise en marche accidentelle pouvant causer des blessures graves, enlevez toujours le connecteur de l'outil lorsque vous assemblez des pièces, procédez à des ajustements ou à son nettoyage ou lorsque l'outil n'est pas utilisé.


DÉBALLAGE

- Cet article doit être assemblé.
- Retirez soigneusement l'outil et toutes les pièces de l'emballage. Assurez-vous que toutes les pièces mentionnées sur la liste de l'emballage sont présentes.
- Inspectez soigneusement l'outil pour vérifier qu'il n'a pas été endommagé pendant l'expédition.
- Ne jetez pas le matériel d'emballage avant d'avoir inspecté soigneusement la scie à chaîne et de l'avoir fait fonctionner de manière satisfaisante.
- S'il y a des pièces manquantes ou endommagées, veuillez retourner l'outil à l'endroit où vous l'avez acheté.

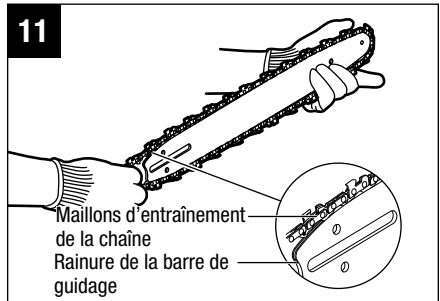
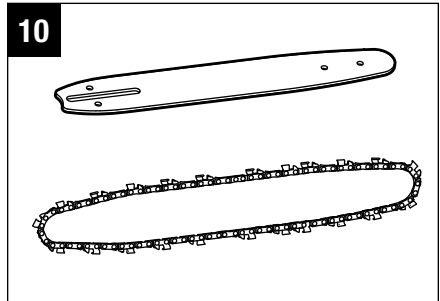
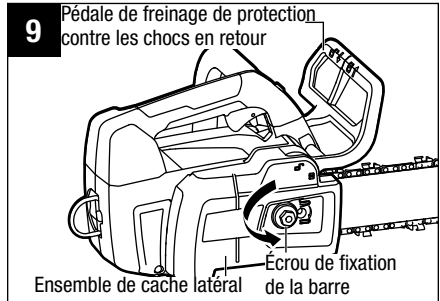
MONTAGE ET DÉMONTAGE DE LA BARRE ET DE LA CHAÎNE

⚠ AVERTISSEMENT : Débranchez toujours la fiche d'alimentation électrique avant de monter la scie ou de réaliser une opération de maintenance sur le produit.

⚠ AVERTISSEMENT : Ne touchez jamais la chaîne et ne l'ajustez pas pendant que le moteur est en train de fonctionner. La chaîne de la scie est très tranchante ; portez toujours des gants de protection lorsque vous réalisez une opération de maintenance sur la chaîne.


1. Assurez-vous que la pédale de freinage de protection contre les chocs en retour est réglée dans la position .
2. Portez des gants de protection, dévissez l'écrou de fixation de la barre au moyen de la clé combinée (fournie), puis retirez l'ensemble de cache latéral (Fig. 9).
3. Posez la chaîne de la scie en boucle sur une surface plate, et redressez tous les coudes éventuels (Fig. 10).
4. Placez les maillons d'entraînement de la chaîne dans la rainure de la barre de guidage et formez une boucle avec la chaîne derrière la barre de guidage (Fig. 11).
5. Tenez la chaîne en place sur la barre de guidage et placez la boucle autour du pignon de l'ensemble moteur, puis vérifiez ce qui suit (Fig. 12) :

- a) Les maillons d'entraînement de la chaîne sont bien en place entre les dents du pignon de la chaîne.
- b) La tête de la vis de verrouillage et le boulon de guidage sont placés dans la fente de la barre de guidage.

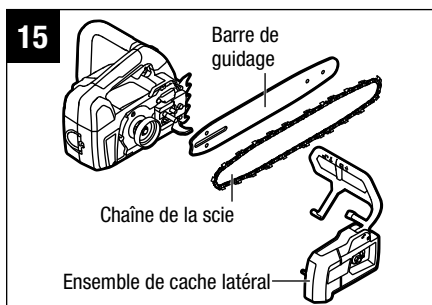
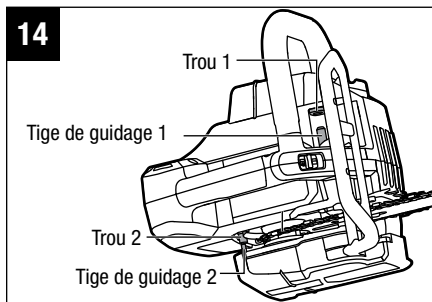
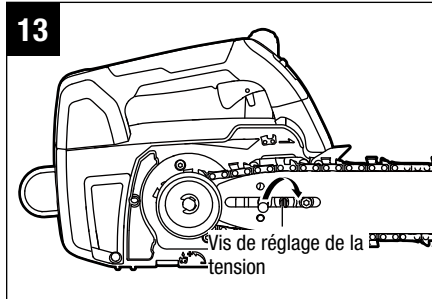
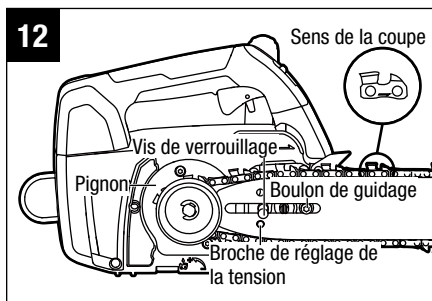


c) La broche de réglage de la tension est engagée dans le trou de la barre de guidage.

AVIS : Assurez-vous que le sens des flèches sur les dents de la chaîne de la scie est toujours orienté vers l'avant (Fig. 12).

6. Tournez la vis de réglage de la tension dans le sens des aiguilles d'une montre jusqu'à ce que la chaîne soit fermement en place contre la barre. Assurez-vous que les tenons des maillons d'entraînement sont bien engagés dans la rainure de la barre. La barre de guidage et la chaîne doivent être montés fermement et de façon sécurisée sur la scie à chaîne (Fig. 13).
7. Réglez la pédale de freinage de protection contre les chocs en retour dans la position  alignez deux tiges de guidage de l'ensemble de cache latéral sur leurs orifices respectifs dans la scie, puis mettez en place l'ensemble de cache latéral (Fig. 14).
8. Serrez l'écrou de fixation de la barre.

AVIS : S'il est nécessaire de remplacer la barre de guidage, démontez l'ensemble de cache latéral et remontez-le avec la nouvelle barre de guidage comme illustré à la Fig. 15.



RÉGLAGE DE LA TENSION DE LA CHAÎNE DE LA SCIE

⚠ AVERTISSEMENT : Ne touchez jamais la chaîne et ne l'ajustez pas pendant que le moteur est en train de fonctionner. La chaîne de la scie est très tranchante ; portez toujours des gants de protection lorsque vous réalisez une opération de maintenance sur la chaîne.

La chaîne de la scie s'étend ou se contracte pendant le fonctionnement normal de la scie. La tension de la chaîne change en conséquence. Vérifiez périodiquement la tension de la chaîne pendant le fonctionnement et ajustez-la à nouveau si nécessaire.

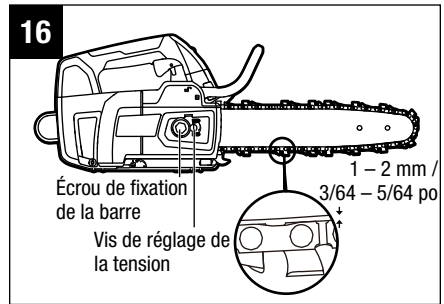
1. Mettez la scie à chaîne hors tension, engagez le frein de la chaîne et débranchez la fiche d'alimentation électrique.
2. Desserrez l'écrou de fixation de la barre jusqu'à ce que la barre de guidage puisse être déplacée librement.
3. Tenez la pointe avant de la barre en haut et ajustez la vis de réglage de la tension jusqu'à ce que les conditions suivantes soient satisfaites :
 - a) L'affaissement de la chaîne au centre de la barre est d'environ 1 à 2 mm / 3/64 à 5/64 po, comme illustré (Fig. 16).
 - b) Désengagez le frein de la chaîne en vous assurant que la chaîne peut être tirée le long de la barre avec deux doigts.

AVIS : Faites ceci en prenant toutes les précautions nécessaires pour éviter tout risque de blessure. En raison de la présence de pièces magnétiques dans le moteur électrique c.c., à la différence des scies à chaîne à l'essence conventionnelles lorsque vous faites fonctionner la chaîne de la scie avec deux doigts, vous constaterez une certaine

résistance. Il y a plus de résistance que quand on utilise une scie à chaîne à l'essence.

4. Tenez la pointe avant de la barre en haut et serrez l'écrou de fixation de la barre.

AVIS : Si l'affaissement de la chaîne au centre de la barre n'est pas compris entre 1 et 2 mm / 3/64 et 5/64 po, changez la tension de la chaîne.



FONCTIONNEMENT

⚠ AVERTISSEMENT : Même si vous connaissez parfaitement ce produit, soyez vigilant. N'oubliez pas qu'une fraction de seconde d'inattention suffit à se blesser grièvement.

⚠ AVERTISSEMENT : Portez toujours des lunettes de sécurité conformes à la norme ANSI Z87.1. Sinon, vous pourriez recevoir des débris dans les yeux et vous blesser grièvement.

⚠ AVERTISSEMENT : N'utilisez pas de pièces ni d'accessoires qui ne sont pas recommandés par le fabricant de ce produit. L'utilisation de pièces ou d'accessoires non recommandés peut causer des blessures graves.

Avant chaque utilisation, inspectez périodiquement l'intégralité du produit pour vous assurer qu'il n'y a pas de pièces endommagées, manquantes ou desserrées comme des vis, des écrous, des boulons, etc. Serrez à fond tous les dispositifs de fixation et capuchons, et ne vous servez pas de ce produit avant que toutes les pièces manquantes ou endommagées aient été remplacées.

APPLICATIONS

- Cette scie à chaîne est conçue spécifiquement pour des opérations de chirurgie et de maintenance dans les arbres.
- Cette scie à chaîne doit être utilisée pour travailler dans des arbres par des personnes ayant reçu une formation spéciales en techniques de coupe et de travail dans les arbres.

REPLISSAGE DU RÉSERVOIR D'HUILE

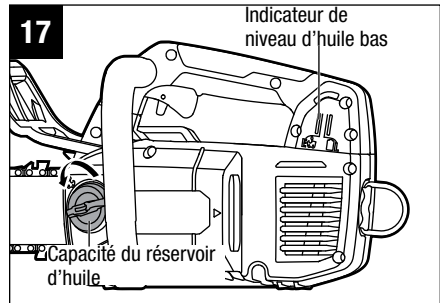
⚠ AVERTISSEMENT : Pour éviter tout démarrage accidentel pouvant entraîner des blessures graves, débranchez toujours la fiche d'alimentation électrique de l'outil avant de remplir le réservoir avec de l'huile.

⚠ AVERTISSEMENT : Ne fumez pas et ne transportez pas de flamme ou de feu à proximité de l'huile ou de la scie à chaîne. De l'huile pourrait se renverser et causer un incendie.

AVIS : La scie à chaîne n'est pas remplie d'huile pour chaîne au moment de l'achat. Il est essentiel de remplir le réservoir d'huile avant de commencer à utiliser la scie. L'utilisation de la scie à chaîne sans huile de lubrification de la chaîne et en ignorant le message de niveau d'huile bas (voyant clignotant en rouge) entraînera un endommagement de la scie à chaîne. La durée de vie de la chaîne et sa capacité de coupe dépendent d'une lubrification optimale. La chaîne de la scie est lubrifiée automatiquement avec de l'huile pour chaîne pendant le fonctionnement.

1. Débranchez la fiche d'alimentation électrique de la scie à chaîne.
2. Nettoyez le bouchon du réservoir d'huile et la zone adjacente pour vous assurer qu'il n'y aura pas de saletés qui tomberont dans le réservoir d'huile.

3. Positionnez la scie à chaîne sur son côté sur une surface ferme et plate, de telle sorte que le bouchon du réservoir d'huile soit orienté vers le haut. Tournez le bouchon du réservoir d'huile dans le sens contraire des aiguilles d'une montre pour le retirer, ou utilisez la tête fendue de la clé combinée (fournie) pour desserrer le bouchon du réservoir d'huile quand il est trop serré. (Fig. 17)



4. Versez de l'huile dans le réservoir d'huile. Faites attention de ne pas laisser de l'huile sortir de l'ouverture. Remplissez jusqu'en bas du col de remplissage. Essayez tout excédent d'huile.
5. Tournez le bouchon dans le sens des aiguilles d'une montre pour le fermer, et placez la scie en position verticale.

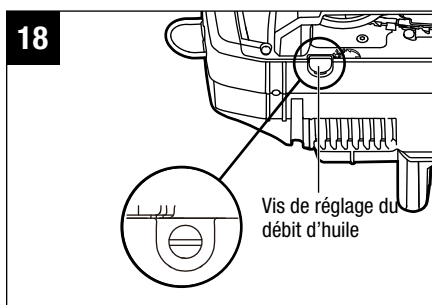
AVIS :

- N'utilisez jamais de l'huile ou d'autres lubrifiants qui ne sont pas conçus spécifiquement pour une utilisation sur les barres et les chaînes. Ceci pourrait causer une obstruction du système d'huile, qui risquerait d'entraîner une usure prématurée de la barre et de la chaîne. L'huile recommandée doit être jaune translucide, rouge translucide ou incolore translucide.
- Regardez fréquemment le voyant indicateur de niveau d'huile bas pour vous assurer que vous ne faites jamais fonctionner la scie à chaîne avec un volume d'huile insuffisant.
- N'utilisez pas d'huile sale, usagée ou contaminée par ailleurs. Ceci pourrait endommager la barre ou la chaîne.

- Il est normal que de l'huile suinte de la scie quand celle-ci n'est pas utilisée. Pour empêcher de tels suintements, vidangez l'huile du réservoir après chaque utilisation, puis laissez fonctionner la scie à vide pendant une minute. Lorsque vous rangez l'outil et pensez ne pas l'utiliser pendant une période prolongée, assurez-vous que la chaîne est légèrement lubrifiée ; ceci évitera que de la rouille n'apparaisse sur la chaîne et la barre, ainsi que sur le pignon d'entraînement intérieur.
- Pour préserver les ressources naturelles, veuillez recycler ou éliminer l'huile conformément aux règlements. Consultez votre service municipal responsable de la gestion des déchets pour déterminer quelles sont les options de recyclage et/ou d'élimination possibles.

RÉGLAGE DU DÉBIT D'HUILE

- Cette scie est équipée d'une **vis de réglage du débit d'huile**, située sur le bas de l'outil, qui est utilisée pour régler le débit d'huile pour lubrifier la chaîne, la barre et le système de coupe (Fig. 18). Augmentez ou réduisez le débit d'huile en tournant la vis (en utilisant la clé combinée) dans le sens des flèches marquées sur le boîtier.



VOYANTS – DEL SUR LA SCIE À CHAÎNE

La scie à chaîne est équipée de deux voyants à DEL qui indiquent le niveau d'huile et le niveau de charge du bloc-piles.

Voyant à DEL		Signification	Action
Indicateur de niveau d'huile bas	Rouge clignotant	Volume d'huile insuffisant	Remplir le réservoir d'huile
	Éteint	Huile disponible	/
Indicateur de charge de la pile	Vert brillant	Le bloc-pile est chargé de façon adéquate.	/
		Le bloc-piles est presque complètement déchargé et doit être rechargé immédiatement.	Recharger la pile.

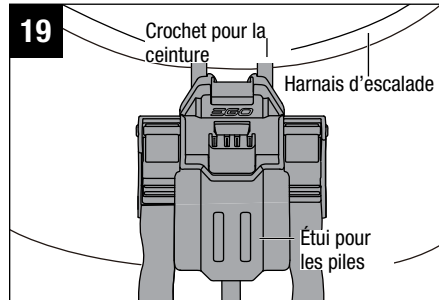
ATTACHEMENT DE L'ÉTUI DES PILES AU HARNAIS D'ESCALADE

Cette chaîne est fournie avec un étui pour les piles qui est utilisé pour transporter le bloc-piles et peut être attaché au harnais d'escalade (non fourni).

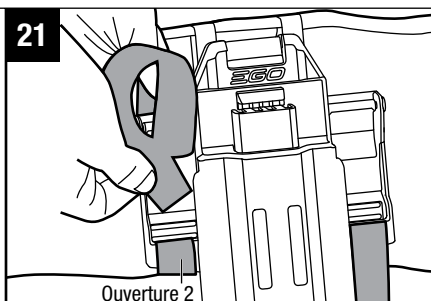
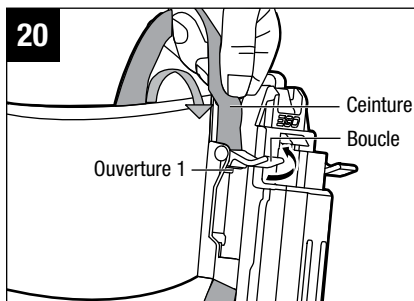
AVIS : Attachez fermement l'étui pour les piles au harnais d'escalade avant d'enfiler le harnais d'escalade.

⚠ AVERTISSEMENT : Le harnais d'escalade avec une fonction de relâchement rapide doit être préparé pour pouvoir être utilisé en cas d'urgence.

1. Recherchez le meilleur endroit possible pour attacher l'étui pour les piles au harnais d'escalade, et accrochez l'étui pour les piles au harnais d'escalade en utilisant le crochet pour la ceinture (Fig. 19).



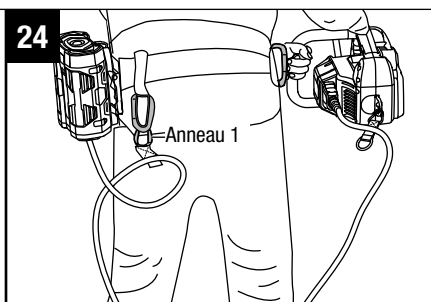
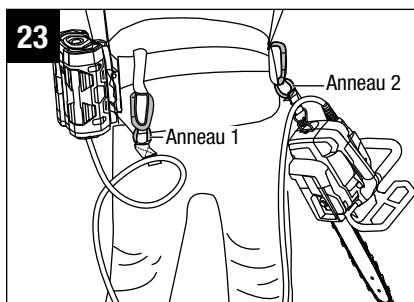
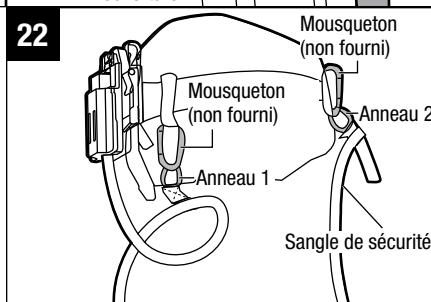
2. Enveloppez la ceinture autour du harnais d'escalade pour pouvoir fixer l'étui pour les piles en place (Fig. 20 et 21).



3. Attachez deux anneaux de la sangle de sécurité au harnais d'escalade en utilisant deux mousquetons (non fournis), comme illustré ci-dessous (Fig. 22).

AVIS :

- Lorsque vous grimpez sur l'arbre, attachez les anneaux 1 et 2 de la sangle de sécurité au harnais d'escalade en utilisant des mousquetons (non fournis) (Fig. 23).
- Lorsque l'outil est utilisé, détachez l'anneau 2 du harnais d'escalade et tenez la scie des deux mains pour effectuer la coupe (Fig. 24).



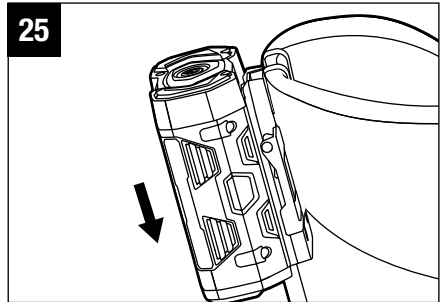
INSTALLATION/RETRAIT DU BLOC-PILES

AVIS : Chargez complètement le bloc-piles avant de vous en servir pour la première fois.

Pour l'installer (Fig. 25)

1. Alignez les nervures du bloc-piles sur les fentes de montage de l'étui pour les piles.
2. Faites glisser le bloc-piles à l'intérieur de l'étui jusqu'à ce qu'il se mette dans la position correcte (déclit).

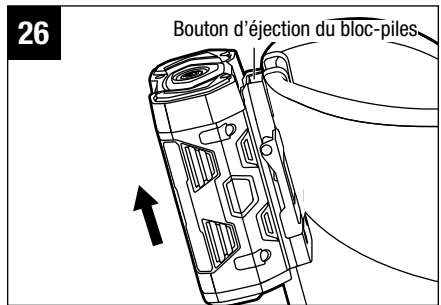
AVIS : Assurez-vous que le verrou de l'étui du bloc-piles se met bien en place et que le bloc-piles est bien assujéti à l'étui avant de commencer à l'utiliser.



Pour le retirer (Fig. 26)

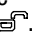
⚠ AVERTISSEMENT : Contrôlez toujours la position de vos pieds et les endroits où se trouvent les enfants et les animaux domestiques avant d'appuyer sur le bouton d'éjection des piles. La chute du bloc-piles pourrait causer des blessures graves. Ne retirez **JAMAIS** le bloc-piles lorsque vous vous trouvez à un endroit surélevé.

1. Tenez le bloc-piles dans la paume de votre main.
2. Appuyez sur le bouton d'éjection des piles avec votre pouce ; le bloc-piles se détachera alors du loquet de verrouillage.
3. Saisissez le bloc-piles et détachez-le de l'étui pour les piles.



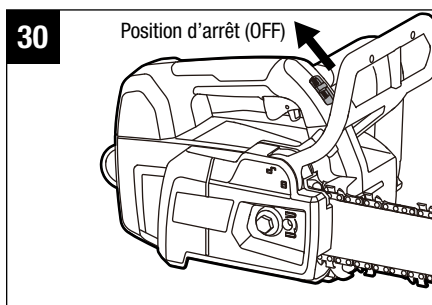
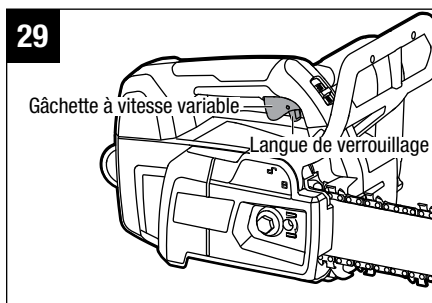
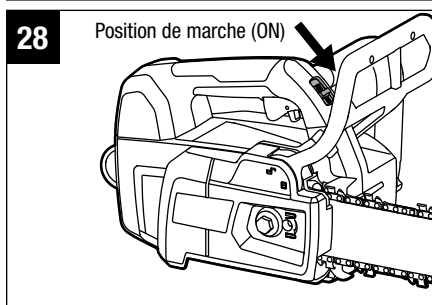
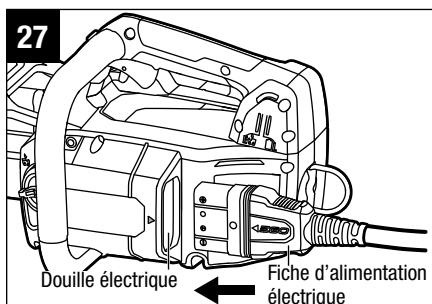
MISE EN MARCHÉ / ARRÊT DE LA SCIE À ELAGUER À CHAÎNE

Pour la mettre en marche

1. Alignez les marques « ▲ » sur la fiche d'alimentation électrique et la douille de branchement de la scie à chaîne, puis insérez la fiche d'alimentation électrique dans la scie à chaîne jusqu'à ce que le sceau VERT sur la fiche ait COMPLÈTEMENT disparu à l'intérieur de la douille (Fig. 27).
2. Appuyez sur l'interrupteur de « marche-arrêt » (ON/OFF) pour le mettre dans la position de « marche » (ON) (Fig. 28).
3. Tirez la pédale de freinage de protection contre les chocs en retour vers la poignée principale pour la mettre dans la position .
4. Déplacez la langue de verrouillage vers l'avant et appuyez ensuite sur la gâchette à vitesse variable. Plus vous tirez la gâchette à vitesse variable vers le haut, plus la vitesse de rotation de la chaîne de la scie est élevée (Fig. 29).

Pour l'arrêter

1. Relâchez la gâchette à vitesse variable pour arrêter la scie à chaîne.
2. Poussez la pédale de freinage de protection contre les chocs en retour vers l'avant, jusqu'à la position de freinage «  » (Fig. 1).
3. Appuyez sur l'interrupteur de « marche-arrêt » (ON/OFF) pour le mettre dans la position d'arrêt (OFF) (Fig. 30).



AVIS : La chaîne de la scie continuera à tourner pendant quelques instants après le relâchement de la gâchette à vitesse variable. Prenez soin d'éviter tout contact après avoir relâché la gâchette à vitesse variable et lorsque vous posez la scie à chaîne.

⚠ AVERTISSEMENT : Débranchez toujours la fiche d'alimentation électrique de la scie à chaîne pendant les pauses et après avoir fini votre travail.

PRÉPARATION POUR LA COUPE

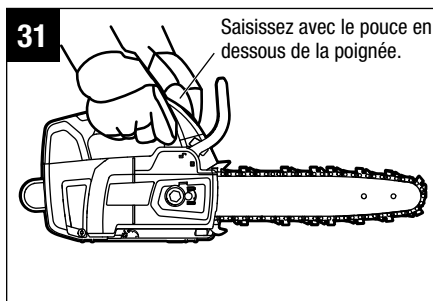
Référez-vous à la section intitulée « **INSTRUCTIONS RELATIVES À LA SÉCURITÉ** » ci-dessus dans ce mode d'emploi pour apprendre quels équipements de sécurité sont appropriés.

Précautions à prendre dans la zone de travail

- Ne coupez que du bois ou des matériaux en bois ; ne coupez pas de tôle, de plastique, de maçonnerie ou de matériaux de constructions autres que du bois.
- Ne permettez jamais à des enfants d'utiliser la scie à chaîne.
- Ne laissez personne utiliser cette scie à chaîne si elle n'a pas lu au préalable ce Mode d'emploi ou reçu des instructions adéquates sur l'utilisation appropriée et en toute sécurité de cette scie à chaîne.
- Travaillez toujours en restant à portée de voix d'autres personnes pour le cas où vous auriez besoin d'aide.
- Faites preuve de vigilance en cas d'obstacles.
- Si vous travaillez dans l'arbre : Utilisez une corde de protection contre les chutes pour vous protéger.
- Si vous travaillez dans l'arbre : Sécurisez la scie à chaîne avec une corde liée au mousqueton pour empêcher la scie de tomber par terre.
- Ne coupez pas au-dessus de la hauteur de la poitrine, étant donné qu'une scie tenue plus haut est difficile à contrôler contre les forces de choc en retour.
- Si vous travaillez à proximité de câbles de transmission d'électricité sous tension, vous risquez de faire entrer accidentellement la chaîne en contact avec les câbles et de les endommager. Mais surtout, ceci pourrait aussi causer des blessures graves, voire mortelles.
- Ne coupez que lorsque la visibilité et l'éclairage sont adéquats pour vous permettre de voir clairement.
- Ne travaillez pas à un endroit facilement combustible.

Préhension appropriée des poignées

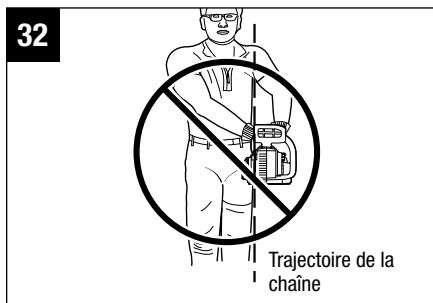
- Portez des gants antidérapants pour assurer la meilleure prise et la meilleure protection possibles.
- Placez la scie sur une surface ferme et plate, et tenez-la fermement avec les deux mains.
- Saisissez toujours la poignée avant avec la main gauche et la poignée principale avec la main droite.
- Les doigts doivent entourer la poignée, avec le pouce enroulé en dessous de la poignée avant (Fig. 31).



⚠ AVERTISSEMENT : N'utilisez jamais la main gauche (en croisant les mains) pour saisir la scie, et ne vous mettez pas dans une position telle que votre corps ou votre bras serait sur la trajectoire de la chaîne.

⚠ AVERTISSEMENT : N'utilisez pas l'interrupteur à gâchette avec la main gauche en tenant la poignée avant avec la main droite. Ne laissez jamais une partie quelconque de votre corps sur la trajectoire de la chaîne pendant que vous utilisez la scie à chaîne (Fig. 32).


⚠ AVERTISSEMENT : Le risque de choc en retour est accru si vous utilisez la scie à chaîne d'une seule main. En cas de choc en retour, la scie risquerait d'être projetée dans le sens de l'opérateur. L'opérateur risquerait de perdre le contrôle de la scie et d'être gravement blessé ou même tué.

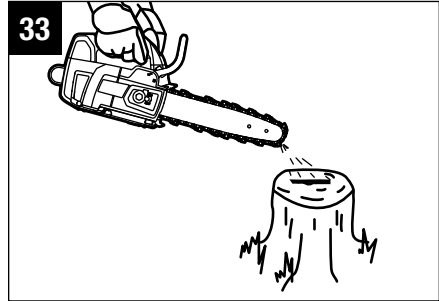


- a) Ne coupez pas avec le quadrant supérieur de la pointe avant de la barre.
- b) Ne vous appuyez pas sur la branche qui est en train d'être coupée.
- c) Ne tentez jamais d'attraper des branches qui tombent.

VÉRIFICATION DE LA LUBRIFICATION DE LA CHAÎNE (Fig. 33)

AVIS : Assurez-vous que le réservoir d'huile de la scie à chaîne a été rempli et contient le volume correct d'huile pour chaîne. Assurez-vous que l'huile recommandée est jaune translucide, rouge translucide ou incolore translucide.

1. Assurez-vous que la pédale de freinage de protection contre les chocs en retour est réglée dans la position .
2. Tenez la barre de guidage au-dessus d'une surface de couleur claire.
3. Mettez la scie sous tension.



Vous verrez une ligne claire d'huile sur la surface de couleur claire au bout d'une minute si la chaîne a été bien lubrifiée.

4. Si vous ne voyez toujours pas d'huile pour chaîne sur la surface de couleur claire, référez-vous à la section « RÉGLAGE DU DÉBIT D'HUILE » pour effectuer un ajustement.

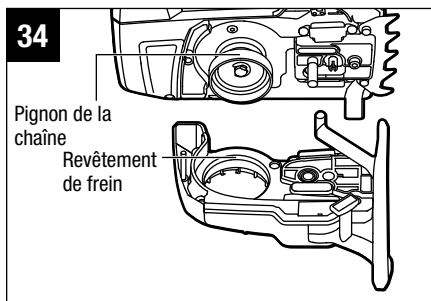
AVIS : Si nécessaire, inspectez la canalisation d'huile dans la barre de guidage et la rainure sur le bord de la barre de guidage. Assurez-vous qu'elles sont propres et ne sont pas obstruées. Nettoyez-les si nécessaire.

TRAVAIL DANS UN ARBRE

⚠ AVERTISSEMENT : Lorsque vous travaillez ou escaladez un arbre, il est recommandé d'utiliser un appui supplémentaire, comme un étrier pour le pied ou un cordon d'assujettissement réglable pour prévenir une oscillation ou un accident pendant la coupe.

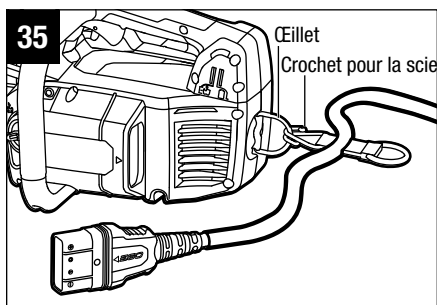
Avant d'utiliser la scie à chaîne, veuillez vérifier les points suivants :

- Inspectez le pignon de la chaîne pour déterminer s'il est excessivement usé – si les marques d'usure sont plus profondes que 0,5 mm, contactez votre revendeur/réparateur EGO pour remplacer le pignon de la chaîne. Inspectez également le système de freinage – si les marques d'usure sur le revêtement des freins sont inégales, contactez votre revendeur/réparateur EGO pour remplacer le revêtement des freins (Fig. 34).
- Inspectez la barre de guidage. Voir la section pertinente : **MAINTENANCE DE LA BARRE DE GUIDAGE**
- Inspectez la chaîne de la scie. Voir la section pertinente : **MAINTENANCE DE LA CHAÎNE**
- Test du frein de la chaîne. Voir la section pertinente : **DISPOSITIFS DE PROTECTION CONTRE LES CHOCS EN RETOUR SUR CETTE SCIE À CHAÎNE**
- Inspectez les commandes. Voir la section pertinente : **MISE EN MARCHÉ / ARRÊT DE LA SCIE À CHAÎNE**
- Inspectez le système de lubrification de la chaîne. Voir la section pertinente : **VÉRIFICATION DE LA LUBRIFICATION DE LA CHAÎNE**



Sécurisation du raccordement entre la scie et l'étui pour les piles

Attachez le crochet de suspension de la scie sur la sangle de sécurité à l'œillet (Fig. 35).



ENTRETIEN

⚠ AVERTISSEMENT : Pour éviter des blessures graves, retirez toujours la fiche d'alimentation électrique de la scie à chaîne avant de l'inspecter ou de la nettoyer, ou avant d'effectuer des travaux de maintenance. Un outil alimenté par des piles dont la fiche d'alimentation électrique est insérée est toujours prêt à fonctionner ou pourrait se déclencher accidentellement.

⚠ AVERTISSEMENT : Lors de toute réparation, n'utilisez que des pièces de rechange identiques. L'utilisation de toutes autres pièces de rechange pourrait créer un danger ou endommager le produit.

⚠ AVERTISSEMENT : Portez toujours des gants épais lorsque vous effectuez une opération de maintenance sur la chaîne de la scie. Faites preuve de vigilance lorsque vous êtes à côté de la chaîne de la scie et protégez vos mains pour ne pas risquer de subir une blessure causée par la chaîne de la scie.

⚠ AVERTISSEMENT : Lorsque vous nettoyez la scie à chaîne, ne l'immergez PAS dans de l'eau ou d'autres liquides.

⚠ AVERTISSEMENT : Ne laissez jamais de liquide de frein, d'essence, de produits à base de pétrole, d'huiles pénétrantes, etc. entrer en contact avec des composants en plastique. Les produits chimiques peuvent endommager, affaiblir ou détruire le plastique, ce qui pourrait causer des blessures graves.

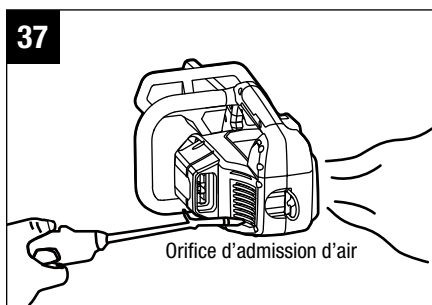
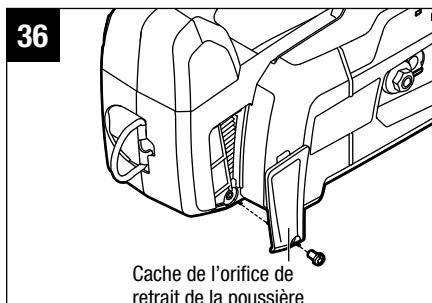
Toutes les opérations de maintenance et de réparation de la scie à chaîne, à l'exception de ce qui est indiqué dans ce mode d'emploi, doivent être exécutées par un technicien à l'entretien et en réparation qualifié.

NETTOYAGE

- Après chaque utilisation, nettoyez les débris de la chaîne de la scie et de la barre de guidage avec une brosse non abrasive. Essuyez la surface de la scie à chaîne avec un chiffon propre humidifié avec une solution savonneuse douce.
- Pour un nettoyage en profondeur, retirez le couvercle latéral et démontez le guide-chaîne et la chaîne de la scie.
- Retirez toujours les copeaux de bois, la sciure et la saleté de la rainure du guide-chaîne lorsque vous remplacez la chaîne de la scie.

RETRAIT DE LA POUSSIÈRE

1. Débranchez la fiche d'alimentation électrique, laissez la scie à chaîne refroidir, puis serrez le bouchon du réservoir d'huile.
2. Engagez le frein de la scie.
3. Utilisez la clé combinée (fournie) pour desserrer la vis, puis ouvrez le cache de l'orifice de retrait de la poussière. (36).
4. Nettoyez la sciure de bois et les copeaux accumulés dans l'ailette de refroidissement en utilisant de l'air sec comprimé, en le soufflant depuis le côté opposé (orifice d'admission d'air) (Fig. 37).



REPLACER LE GUIDE-CHAÎNE ET LA CHAÎNE

⚠ AVERTISSEMENT : Ne touchez ni n'ajustez jamais la chaîne pendant que le moteur tourne. La chaîne de la scie est très tranchante; portez toujours des gants de protection lorsque vous en effectuez l'entretien.

AVIS : Lors du remplacement du guide-chaîne et de la chaîne, utilisez toujours la combinaison indiquée dans la précédente section « **Guide-chaîne et chaîne recommandés pour cette scie à chaîne** ».

Voir la section pertinente : **MONTAGE ET DÉMONTAGE DE LA BARRE ET DE LA CHAÎNE**

Veillez faire ce qui suit :

- a) Attendez que la scie à chaîne ait refroidi. Serrez le bouchon du réservoir d'huile pour empêcher toute fuite d'huile éventuelle.
- b) C'est un bon moment pour inspecter le pignon d'entraînement et les revêtements de frein pour s'assurer qu'ils ne sont pas excessivement usés ou endommagés.

ENTRETIEN DE LA CHAÎNE

N'utilisez que des chaînes à faible rebond avec cette scie. Une telle chaîne à coupe rapide offrira une réduction du rebond si elle est bien entretenue.

Une chaîne bien affûtée coupe le bois sans effort, même si vous exercez une pression minimale. N'utilisez jamais une chaîne émoussée ni endommagée. Une gouge émoussée entraîne une augmentation de l'effort physique demandé et de la vibration, des résultats de découpe insatisfaisants et une usure accrue.

La chaîne doit être entretenue de façon appropriée pour produire des coupes lisses et rapides. La chaîne doit être affûtée lorsque les copeaux de bois sont petits et poudreux, quand la chaîne doit être poussée avec force à travers le bois pendant la coupe ou si la chaîne coupe sur un côté. Faites ce qui suit pendant la maintenance de votre chaîne:

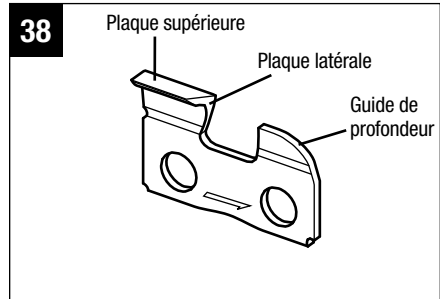
- Un angle d'affûtage incorrect de la plaque latérale peut accroître le risque de rebond important.
- Le réglage du guide de profondeur. Un réglage trop profond accroît le risque de rebond. Une profondeur insuffisante réduit l'efficacité de coupe.
- Si les dents de la gouge ont heurté des objets durs comme des clous ou des pierres ou ont été abrasées par de la boue ou du sable se trouvant sur le bois, faites affûter la chaîne par un technicien qualifié.

AVIS : Lors du remplacement de la chaîne, vérifiez l'absence d'usure ou de dommages excessifs sur le pignon d'entraînement. S'il présente des signes d'usure ou d'endommagement, faites-le remplacer par un technicien qualifié.

Comment affûter les gouges

Veillez à limer toutes les gouges (Fig. 38) aux angles spécifiés et à la même longueur, car des gouges uniformes sont nécessaires à une coupe rapide.

1. Débranchez la fiche d'alimentation électrique. Portez des gants pour vous protéger les mains.
2. Assurez-vous que la chaîne est correctement installée et que le bouton de réglage rapide du tensionnage de la chaîne est complètement serré, ce qui assure un tensionnage adéquat de la chaîne.
3. Utilisez une lime ronde et un porte-lime de 3,96 mm (5/32 po) de diamètre (vendus séparément). Tout le limage doit être effectué au point central du guide-chaîne pour un équilibre parfait.
4. Gardez la lime de niveau avec la plaque supérieure de la dent. Ne l'inclinez pas et ne la faites pas basculer.

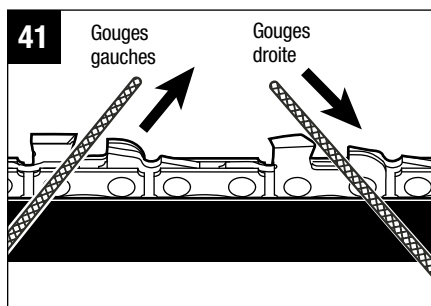
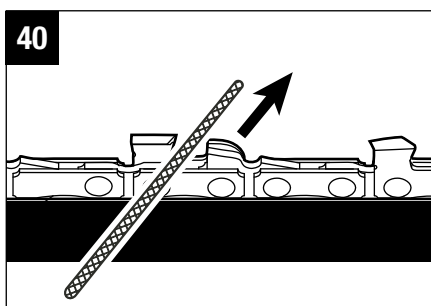
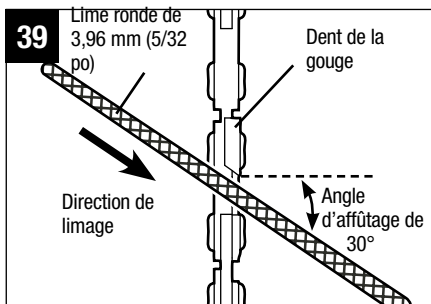


5. Conservez un angle d'affûtage de 30° entre la lime et la chaîne de la scie; voir les Fig. 39 et 40. Utilisez toujours un porte-lime (non inclus) pendant l'affûtage manuel. Les porte-limes sont munis d'indicateurs d'angles d'affûtage.
6. Exercez une pression légère, mais ferme, puis limez en direction du coin avant de la dent. Soulevez la lime du métal après chaque retour.
7. Effectuez quelques passes fermes sur chaque dent. Limez toutes les gorges de gauche dans un sens. Ensuite, passez de l'autre côté et limez toutes les gorges de droite dans l'autre sens. De temps à autre, éliminez la limaille de la lime au moyen d'une brosse métallique (Fig. 41).

⚠ AVERTISSEMENT : Une chaîne émoussée ou incorrectement affûtée peut causer une vitesse excessive du moteur pendant la coupe et l'endommager gravement.

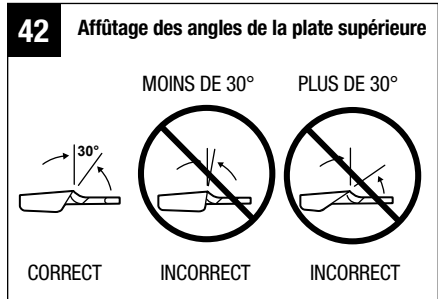
⚠ AVERTISSEMENT : Une chaîne incorrectement affûtée accroît le risque de rebond.

⚠ AVERTISSEMENT : Une chaîne endommagée non remplacée ou non réparée peut causer des blessures graves.



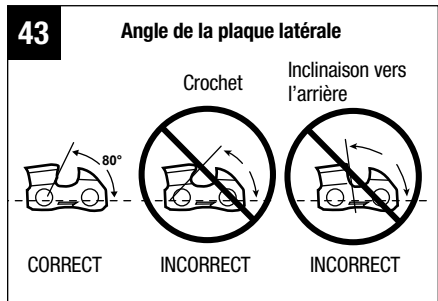
Affûtage des angles de la plate supérieure (Fig. 42)

- CORRECT 30°** – Cet angle optimal ne peut être obtenu que quand les limes spécifiées sont utilisées avec un réglage approprié. Les porte-limes comportent des marques de guidage permettant d'aligner correctement la lime afin de produire l'angle correct pour la plaque supérieure.
- MOINS DE 30°** – La dent est trop émoussée pour couper.
- PLUS DE 30°** – Le bord de la dent de coupe est en biseau et s'émousse rapidement.



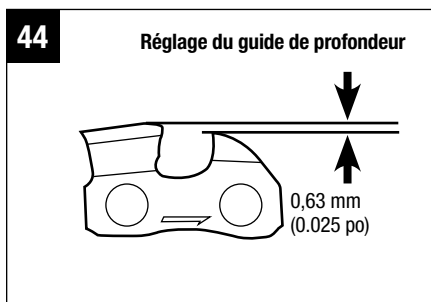
Affûtage des angles de la plate supérieure (Fig. 43)

- CORRECT 80°** – L'angle optimal peut être produit automatiquement si une lime de diamètre correct est utilisée dans le porte-lime.
- CROCHET** – « Accroche » et s'émousse rapidement. Augmente le risque de choc en retour. C'est la conséquence de l'utilisation d'une lime dont le diamètre est trop petit, ou d'une lime tenue trop bas.
- INCLINAISON VERS L'ARRIÈRE** – Nécessite trop de pression d'alimentation, provoque une usure excessive de la barre et de la chaîne. C'est la conséquence de l'utilisation d'une lime dont le diamètre est trop grand, ou d'une lime tenue trop haut.

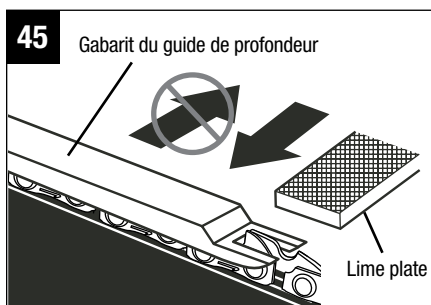


Réglage du guide de profondeur

1. Le guide de profondeur doit être réglé à 0,63 mm (0.025 po), comme le montre la figure 44. Utilisez un outil de guide de profondeur (vendu séparément) pour vérifier ce réglage.
2. Chaque fois que vous limez la chaîne, vérifiez le réglage du guide de profondeur. Utilisez une lime plate et un gabarit (vendus séparément) pour abaisser tous les guides de façon uniforme (figure 45). Les gabarits sont disponibles en tailles allant de 0,5 mm à 0,88 mm (de 0.02 po à 0.035 po). Utilisez un gabarit de 0,63 mm (0.025 po).

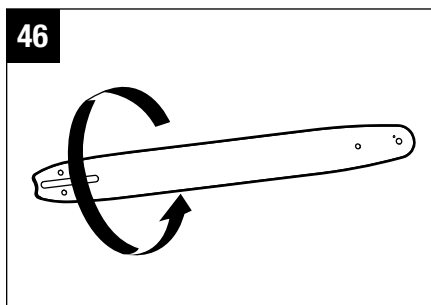


3. Utilisez la lime plate pour régler les guides de profondeur dans la direction vers laquelle la gouge adjacente a été limée avec la lime ronde. Prenez soin de ne pas toucher le devant de la gouge avec la lime plate lorsque vous réglez les guides de profondeur.



Retourner le guide-chaîne

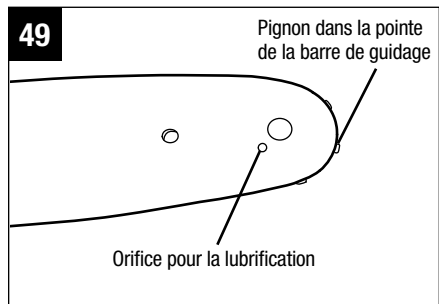
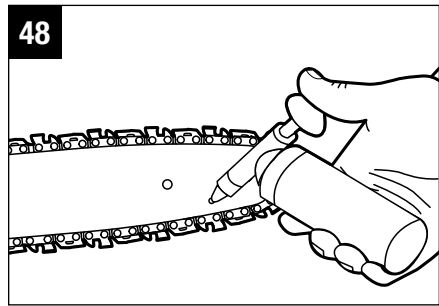
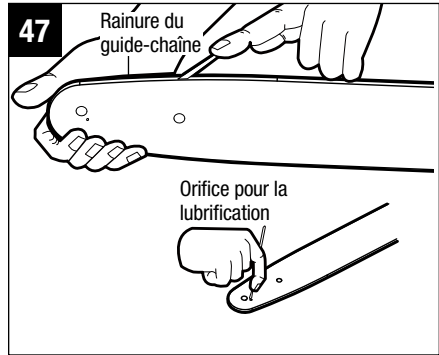
Lorsque le guide-chaîne présente des signes d'usure, démontez-le de l'ensemble moteur et remontez-le en inversant ses côtés (figure 46), ce qui aura pour effet de répartir son usure et d'optimiser sa durée de vie.



Vous devez nettoyer le guide-chaîne (y compris la rainure du guide-chaîne, le trou de lubrification et l'orifice d'huile) tous les jours où vous l'utilisez et vérifier l'absence d'usure ou de dommages (figure 47). L'amincissement ou l'apparition de bavures sur les parois de la rainure du guide-chaîne est un processus d'usure normal. De tels défauts doivent être limés dès leur apparition. Un guide-chaîne présentant n'importe lequel des défauts suivants doit être remplacé. Consultez la section « **REEMPLACER LE GUIDE-CHAÎNE ET LA CHAÎNE** » dans le présent manuel

- Usure de l'intérieur des parois de la rainure du guide-chaîne, qui permet à la chaîne de se coucher sur le côté.
- Guide-chaîne tordu.
- Parois de la rainure fendues ou brisées.
- Parois de la rainure écartées.

La barre de guidage a un pignon à son extrémité qui doit être lubrifié une fois par semaine avec une seringue à graisse pour prolonger la durée de vie de la barre de guidage (Fig. 48 & 49). Tournez le pignon de l'extrémité avant tout en pompant la graisse **jaune translucide, rouge translucide ou incolore translucide** dans l'orifice prévu pour la lubrification jusqu'à ce que tout le pignon ait reçu de la nouvelle graisse. Ne poussez pas de saleté dans le trou.



TRANSPORT ET RANGEMENT

- Ne rangez pas et ne transportez pas la scie à chaîne pendant qu'elle est en marche. Débranchez toujours la fiche d'alimentation électrique avant de ranger ou de transporter la scie.
- Placez toujours la gaine de la barre de guidage sur la barre de guidage et la chaîne avant de ranger ou de transporter la scie à chaîne. Faites attention de ne pas toucher les dents tranchantes de la chaîne.
- Nettoyez complètement la scie à chaîne avant de la ranger. Rangez la scie à chaîne à l'intérieur, à un endroit sec qui est verrouillé et/ou auquel les enfants ne peuvent pas avoir accès.
- Tenez-la à distance des agents corrosifs tels que des produits chimiques de jardins et des sels pour faire fondre la glace.

RECHERCHE DE LA CAUSE DES PROBLÈMES

PROBLÈME	CAUSE	SOLUTION
Le moteur ne démarre pas.	<ul style="list-style-type: none"> ■ La fiche d'alimentation électrique de l'étui pour les piles n'est pas connectée à la scie à chaîne. ■ Il n'y a pas de contact électrique entre l'étui pour les piles et la pile. ■ L'interrupteur de « marche-arrêt » (ON/OFF) est dans la position d'arrêt (OFF). ■ Le frein à chaîne est engagé. ■ Autre cause. 	<ul style="list-style-type: none"> ■ Insérez la fiche d'alimentation électrique de l'étui pour les piles dans la scie à chaîne. ■ Retirez les piles, inspectez les contacts et réinstallez le bloc-piles. ■ Mettez l'interrupteur de marche-arrêt (ON-OFF) en position de marche (ON). ■ Tirez la pédale de freinage de protection contre les chocs en retour de la chaîne vers l'arrière, en direction de la poignée avant, pour arriver en position de fonctionnement. ■ Contactez le service à la clientèle d'EGO pour faire réparer la scie.

PROBLÈME	CAUSE	SOLUTION
La scie à chaîne cesse de fonctionner pendant son utilisation.	<ul style="list-style-type: none"> ■ Le bloc-piles ou la scie à chaîne est trop chaud. ■ La scie à chaîne est en état de surcharge. ■ La canalisation de ventilation est obstruée par des copeaux de bois et de la poussière. ■ Les piles du bloc-piles sont déchargées. ■ Autre cause. 	<ul style="list-style-type: none"> ■ Refroidissez le bloc-piles ou la scie à chaîne. ■ Réduisez la charge. ■ Nettoyez la canalisation de ventilation. Référez-vous à la section intitulée « RETRAIT DE LA POUSSIÈRE ». ■ Chargez le bloc-piles. ■ Contactez le service à la clientèle d'EGO pour faire réparer la scie.
Le frein de la chaîne ne s'engage pas.	<ul style="list-style-type: none"> ■ Des débris empêchent le mouvement complet de la poignée du frein de protection contre les chocs en retour de la chaîne. ■ Dysfonctionnement possible du frein de la chaîne. 	<ul style="list-style-type: none"> ■ Nettoyer les débris de la chaîne externe mécanisme de frein. ■ Contactez le service à la clientèle d'EGO pour faire réparer la scie.
Pas de lubrification avec de l'huile pendant une opération de coupe.	<ul style="list-style-type: none"> ■ Solidification de l'huile à basse température. ■ L'orifice de sortie d'huile de la barre de la chaîne est obstrué. ■ Le réservoir d'huile est vide. ■ Autre cause. 	<ul style="list-style-type: none"> ■ Changez d'huile et employez une huile de lubrification appropriée pour une utilisation à basse température. ■ Nettoyez la poussière se trouvant dans l'orifice de sortie de l'huile. ■ Remplissez le réservoir d'huile avec un lubrifiant pour barres et chaînes. ■ Contactez le service à la clientèle d'EGO pour faire réparer la scie.

PROBLÈME	CAUSE	SOLUTION
<p>Le voyant indiquant un niveau d'huile bas clignote en rouge ou projette une lumière anormale pendant que le réservoir d'huile est rempli d'huile.</p>	<ul style="list-style-type: none"> ■ L'utilisation de la scie à chaîne à un angle particulier empêche l'huile dans le réservoir d'huile d'entrer dans la canalisation d'huile. ■ Un lubrifiant autre que l'huile recommandée (jaune translucide, rouge translucide ou incolore translucide) est utilisé. ■ Autre cause. 	<ul style="list-style-type: none"> ■ Placez la scie à chaîne à plat et réessayez. ■ N'utilisez pas d'huile noire. Changez d'huile et utilisez une huile recommandée. ■ Contactez le service à la clientèle d'EGO pour faire réparer la scie.
<p>Le voyant indiquant un niveau d'huile bas ne montre aucune lumière alors que le réservoir d'huile est presque vide.</p>	<ul style="list-style-type: none"> ■ La catégorie et la couleur de l'huile ne peuvent pas être identifiées. ■ Il reste toujours une petite quantité d'huile dans le réservoir d'huile ou dans la canalisation d'huile. ■ Autre cause. 	<ul style="list-style-type: none"> ■ Utilisez une huile recommandée : jaune translucide, rouge translucide ou incolore translucide. ■ Utilisez la scie à chaîne pendant un certain temps, puis observez à nouveau le voyant indiquant un niveau d'huile bas. ■ Contactez le service à la clientèle d'EGO pour faire réparer la scie.

GARANTIE

POLITIQUE D'EGO EN MATIÈRE DE GARANTIE

Garantie limitée de 5 ans sur les équipements d'alimentation électrique d'extérieur EGO POWER+ et les équipements d'alimentation électrique portable pour un usage personnel et domestique.

Garantie limitée de 3 ans sur les blocs-piles et chargeurs du système EGO POWER+ pour un usage personnel et domestique. Une extension de garantie supplémentaire de deux ans s'applique à la pile de 10,0 Ah, qu'elle soit vendue séparément (Modèle N° BA5600T) ou incluse avec un outil quelconque, à condition d'être enregistrée dans les 90 jours de l'achat. Garantie limitée de cinq ans sur le chargeur CHV1600, conçu pour être employé avec la tondeuse à conducteur porté à rayon de braquage zéro pour utilisation personnelle, résidentielle.

Garantie limitée de 2 ans/1 an sur les équipements d'alimentation électrique d'extérieur, les équipements d'alimentation électrique portables, les blocs-piles et les chargeurs EGO pour un usage professionnel et commercial.

La durée et les détails de la garantie de chaque produit sont indiqués en ligne à l'adresse <http://egopowerplus.com/warranty-policy>.

Veuillez communiquer avec le service à la clientèle d'EGO au 1 855 EGO-5656 (numéro sans frais) pour toute question sur les réclamations au titre de la garantie.

GARANTIE LIMITÉE

Les produits EGO sont garantis contre tout défaut de matériel ou de fabrication à compter de la date d'achat d'origine pour la période de garantie applicable. Les produits défectueux recevront une réparation gratuite.

- a) Cette garantie s'applique uniquement à l'acheteur initial s'étant procuré le produit chez un détaillant EGO autorisé et est non transférable. La liste des détaillants EGO autorisés est publiée en ligne sur le site <http://egopowerplus.com/warranty-policy>.
- b) La période de garantie pour les produits remis en état ou certifiés par l'usine utilisés à des fins résidentielles est de 1 an, et de 90 jours lorsqu'ils sont utilisés à des fins industrielles, professionnelles ou commerciales.

- c) La période de garantie pour les pièces d'entretien de routine, telles que, mais sans s'y limiter, le siège de la tondeuse à conducteur porté, les roues, les pneus, les roues anti-scalp, le disque de frein, le bloc de friction, les lames, les têtes de coupe, les barres de chaîne, les chaînes de scie, les courroies, les barres de raclage, les palettes en caoutchouc, les tarières, les patins, les buses de soufflante et tous les autres accessoires EGO est de 90 jours à des fins résidentielles ou de 30 jours à des fins industrielles, professionnelles ou commerciales. Ces pièces sont couvertes pendant 90 ou 30 jours contre tout défaut de fabrication dans des conditions d'utilisation normales.
- d) La présente garantie n'est pas valide si le produit a été utilisé aux fins de location.
- e) La présente garantie ne couvre pas les dommages résultant d'une modification, d'une altération ou d'une réparation non autorisée.
- f) Cette garantie couvre uniquement les défauts survenant dans des conditions normales d'utilisation et ne couvre aucun dysfonctionnement ou défaut ni aucune défaillance découlant d'un usage inapproprié ou abusif (notamment la surcharge du produit et son immersion dans l'eau ou dans tout autre liquide), d'un accident, d'une négligence, d'une installation inadéquate et de tout entretien ou entreposage inadéquat.
- g) La présente garantie ne couvre pas la détérioration normale du fini extérieur, notamment les rayures, les bosselures, les craquelures de la peinture ou toute corrosion ou décoloration résultant de la chaleur, de produits abrasifs ou de nettoyeurs chimiques.

RÉCLAMATION AU TITRE DE LA GARANTIE

Pour faire une réclamation au titre de la garantie, veuillez communiquer avec le service à la clientèle d'EGO au **1 855 EGO-5656** (numéro sans frais). Lorsque vous faites une réclamation au titre de la garantie, vous devez présenter le reçu de vente original. Un centre de service autorisé sera sélectionné pour la réparation du produit conformément aux conditions de garantie prescrites. Il se peut qu'un petit dépôt soit exigé lorsque vous laissez votre outil dans un centre de service autorisé. Ce dépôt est remboursable lorsque le service de réparation est considéré comme étant couvert par la garantie.

RESTRICTIONS SUPPLÉMENTAIRES

Dans la mesure permise par la loi en vigueur, toutes les garanties implicites, y compris les garanties de QUALITÉ MARCHANDE ou D'ADÉQUATION À UN USAGE PARTICULIER, sont exclues. Toute garantie implicite, y compris la garantie de qualité marchande ou d'adéquation à un usage particulier, qui ne peut être rejetée en vertu de la loi de l'État ou de la province est limitée à la période de garantie applicable définie au début de cet article.

Chervon North America n'est pas responsable des dommages accessoires, consécutifs, indirects ou directs.



Certaines provinces n'autorisent pas les restrictions de durée de garantie implicite, ou l'exclusion ou la restriction des dommages consécutifs et accessoires; c'est pourquoi les restrictions ci-dessus peuvent ne pas s'appliquer à votre cas.

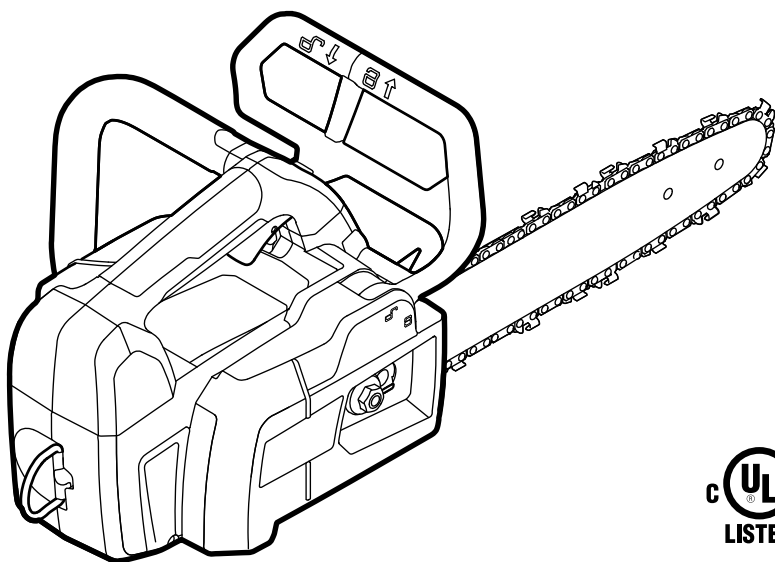
Cette garantie vous confère des droits précis. Il est possible que vous disposiez également d'autres droits, qui varient d'une province à l'autre.

Pour communiquer avec le service à la clientèle, veuillez composer le numéro sans frais suivant : **1 855 EGO-5656** ou consulter le site Web **EGOPOWERPLUS.COM**.

EGO Customer Service, 769 SEWARD AVE NW / Suite 102 Grand Rapids, MI 49504, États-Unis.

EGO™

POWER⁺ CHAIN SAW



**LLENE EL TANQUE DE ACEITE CON
ACEITE PARA ESPADA Y CADENA
ANTES DEL PRIMER USO**

MANUAL DEL USUARIO

MOTOSIERRA DE 12 PULGADAS IN- ALÁMBRICA DE ION LITIO DE 56 V

NÚMERO DE MODELO CSX3000/CSX3000-FC

⚠ ADVERTENCIA: Para reducir el riesgo de lesiones, el usuario debe leer y comprender el Manual del usuario antes de usar este producto. Guarde estas instrucciones para referencia futura.

ÍNDICE

Símbolos de seguridad	106
Instrucciones de seguridad	107-120
Glosario de términos	121
Introducción	122
Especificaciones	123
Lista de empaque	124
Descripción	125-127
Ensamblaje	128-131
Operación	132-142
Mantenimiento	143-150
Solución de problemas	151-153
Garantía	154-156

LEA TODAS LAS INSTRUCCIONES



LEA Y COMPRENDA EL
MANUAL DE INSTRUCCIONES

⚠ ADVERTENCIA: Algunos tipos de polvo que produce el corte con máquinas contienen sustancias químicas consideradas cancerígenas, o causantes de defectos de nacimiento u otros daños al aparato reproductor, por el Estado de California. Algunos ejemplos de estas sustancias químicas son:

- el plomo de pinturas a base de plomo;
- sílice cristalina de ladrillos, cemento y otros productos de mampostería; y
- arsénico y cromo de la madera tratada químicamente.

El riesgo de sufrir estas exposiciones varía, según la frecuencia con que haga este tipo de trabajo. Para reducir la exposición a estas sustancias químicas: trabaje en un lugar bien ventilado, y trabaje con equipos de seguridad aprobados, como mascarillas antipolvo que están diseñadas especialmente para filtrar partículas microscópicas.

SÍMBOLOS DE SEGURIDAD

El propósito de los símbolos de seguridad es llamar la atención a posibles peligros. Los símbolos de seguridad y sus explicaciones merecen una atención y comprensión minuciosas. Las advertencias de los símbolos, por sí mismas, no eliminan los peligros. Las instrucciones y las advertencias que hacen no sustituyen las medidas de prevención de accidentes que correspondan.

⚠ ADVERTENCIA: Asegúrese de leer y comprender todas las instrucciones de seguridad que contiene este Manual de operación, incluidos todos los símbolos de alerta de seguridad como “**PELIGRO**”, “**ADVERTENCIA**” y “**PRECAUCIÓN**” antes de usar esta herramienta. Si no se siguen todas las instrucciones que figuran a continuación se pueden producir electrocuciones, incendios y lesiones.

SIGNIFICADO DEL SÍMBOLO

⚠ SÍMBOLOS DE ALERTA DE SEGURIDAD: Indica **PELIGRO**, **ADVERTENCIA** o **PRECAUCIÓN**. Puede aparecer junto con otros símbolos o pictografías.



⚠ ADVERTENCIA: La utilización de herramientas eléctricas puede hacer ingresar objetos extraños en los ojos y provocar daños graves a estos órganos. Antes de comenzar a utilizar la herramienta eléctrica, colóquese siempre gafas de seguridad o anteojos de seguridad con protectores laterales y una máscara que cubra todo el rostro si es necesario. Recomendamos utilizar una máscara de seguridad de visión amplia sobre los anteojos o gafas de seguridad estándar con protectores laterales. Siempre use lentes de protección que cumplan con la norma ANSI Z87.1.

INSTRUCCIONES DE SEGURIDAD

Esta página muestra y describe los símbolos de seguridad que pueden aparecer en este producto. Lea, comprenda y siga todas las instrucciones de la máquina antes de ensamblarla y utilizarla

	Alerta de seguridad	Indica un peligro potencial de producir lesiones.
	Lea el manual del operador.	Para reducir el riesgo de lesiones, el usuario debe leer el manual del operador.
	Use protección para los ojos	Al utilizar este producto, colóquese siempre gafas o anteojos de seguridad con protectores laterales y una máscara que cubra todo el rostro.
	Use protección para los oídos	El ruido de una motosierra puede dañar los oídos. Siempre use protección acústica (tapones para oídos u orejeras) para proteger sus oídos.
	Use protección para la cabeza	Use un casco de seguridad aprobado para protegerse la cabeza.
	Use guantes de protección	Protéjase las manos con guantes cuando manipule sierras y motosierras. Los guantes antideslizantes para trabajo pesado mejoran el agarre y protegen sus manos.
	Tenga cuidado con el efecto rebote.	Debe evitarse el contacto de la punta de la espada con cualquier objeto.
	Efecto rebote de la punta de la espada	El contacto de la punta puede hacer que la espada se mueva repentinamente hacia arriba y hacia abajo, lo que puede provocar lesiones graves.

	<p>Uso de las dos manos</p>	<p>Siempre use las dos manos al trabajar con la motosierra.</p>
	<p>Símbolos de reciclaje</p>	<p>Este producto usa baterías de iones de litio (Li-ion). Es posible que las leyes municipales, provinciales o nacionales prohíban desechar las baterías con los residuos comunes. Consulte a la autoridad local en materia de residuos sobre las opciones de eliminación y reciclaje disponibles.</p>
<p>IPX5</p>	<p>Nivel de Protección del Ingreso</p>	<p>Protección contra salpicaduras de agua</p>
	<p>Corriente continua</p>	<p>Tipo o característica de la corriente</p>
<p>V</p>	<p>Voltio</p>	<p>Voltaje</p>
<p>mm</p>	<p>Milímetro</p>	<p>Largo o tamaño</p>
<p>in.</p>	<p>Pulgada</p>	<p>Largo o tamaño</p>
<p>kg</p>	<p>Kilogramo</p>	<p>Peso</p>
<p>lb</p>	<p>Libra</p>	<p>Peso</p>
<p>ml</p>	<p>Mililitro</p>	<p>Volumen</p>
<p>fl.oz</p>	<p>Onza líquida</p>	<p>Volumen</p>
<p>°C</p>	<p>Celsius Temperatura</p>	<p>Temperatura</p>
<p>°F</p>	<p>Fahrenheit Temperatura</p>	<p>Temperatura</p>

ADVERTENCIAS DE SEGURIDAD GENERAL EN EL MANEJO DE HERRAMIENTAS ELÉCTRICAS QUE FUNCIONAN CON BATERÍAS

⚠ ADVERTENCIA lea todas las advertencias de seguridad, las instrucciones, las ilustraciones y las especificaciones que se incluyen esta herramienta eléctrica. No seguir todas las instrucciones que se detallan a continuación podría provocar descargas eléctricas, incendios o lesiones graves.

Guarde todas las advertencias e instrucciones para referencia futura.

La expresión "herramienta eléctrica" que se incluye en las advertencias se refiere a su herramienta eléctrica alimentada por la red eléctrica (alámbrica) o su herramienta eléctrica alimentada por baterías (inalámbrica).

SEGURIDAD EN EL ÁREA DE TRABAJO

- **Mantenga el área de trabajo limpia y bien iluminada.** Las áreas desordenadas u oscuras aumentan las posibilidades de accidentes.
- **No utilice herramientas eléctricas en atmósferas en las que exista riesgo de explosión, como por ejemplo en presencia de líquidos inflamables, gases o polvo.** Las herramientas eléctricas producen chispas que podrían encender el polvo o el humo.
- **Mantenga a los niños y transeúntes alejados mientras opera una herramienta eléctrica.** Las distracciones pueden hacer que pierda el control.

SEGURIDAD PERSONAL

- **Manténgase alerta, preste atención a lo que hace y utilice el sentido común cuando utilice una herramienta eléctrica. No utilice una herramienta eléctrica si está cansado o bajo los efectos de drogas, alcohol o medicamentos.** Un momento de desatención mientras opera herramientas eléctricas puede provocar lesiones personales graves.
- **Use equipo de protección personal.** Use siempre protección ocular. El equipo protector, tal como una máscara antipolvo, zapatos de seguridad antideslizantes, casco o protección de la audición, utilizado según lo requieran las condiciones, reducirá las lesiones corporales.

- **Evite un arranque accidental. Asegúrese de que el interruptor esté en la posición de apagado antes de conectar la herramienta al paquete de baterías, levantarla o transportarla.** Transportar herramientas eléctricas con el dedo en el interruptor o enchufar herramientas eléctricas que tienen el interruptor encendido aumenta las posibilidades de accidentes.
- **Retire todas las llaves de ajuste o llaves inglesas antes de encender la herramienta eléctrica.** Si se deja una llave inglesa o una llave conectada a una pieza en movimiento de la herramienta eléctrica, se pueden producir lesiones personales.
- **No se extienda demasiado. Mantenga una postura y un equilibrio adecuados en todo momento.** Esto le permitirá tener un mejor control de la herramienta eléctrica en situaciones inesperadas.
- **Use ropa adecuada. No use ropa holgada ni joyas. Mantenga el cabello y la ropa alejados de las piezas en movimiento.** La ropa holgada, las joyas o el cabello largo pueden quedar atrapados en las piezas en movimiento.
- **Si se proporcionan dispositivos para la conexión de instalaciones de extracción y recolección de polvo, asegúrese de que se conecten y se usen debidamente.** La recolección de polvo puede disminuir los peligros relacionados con el polvo.
- **No permita que la familiaridad del uso frecuente de las herramientas lo haga no tener en cuenta los principios de seguridad en el manejo de las herramientas.** Un descuido puede ocasionar una lesión grave en cuestión de segundos.

USO Y CUIDADO DE LAS HERRAMIENTAS ELÉCTRICAS

- **No fuerce la herramienta eléctrica. Utilice la herramienta eléctrica adecuada para su tarea.** La herramienta eléctrica adecuada realizará un trabajo más seguro y de mejor calidad al ritmo para el que fue diseñada.
- **No utilice la herramienta eléctrica si el interruptor no la enciende o apaga.** Cualquier herramienta eléctrica que no pueda controlarse con el interruptor es peligrosa y debe repararse.
- **Si es posible, retire el paquete de baterías de la herramienta eléctrica o active cualquier dispositivo que bloquee la batería antes de retirar material atascado, realizar ajustes, cambiar accesorios, limpiar o almacenar herramientas eléctricas.** Este tipo de medidas de seguridad preventivas reduce el riesgo de arranques accidentales de la herramienta eléctrica.

- **Almacene las herramientas eléctricas que no estén en uso fuera del alcance de los niños y no permita que personas no familiarizadas con la herramienta o estas instrucciones la operen.** Las herramientas eléctricas son peligrosas en manos de usuarios sin capacitación.
- **Realice mantenimiento a las herramientas eléctricas y a los accesorios. Revise si hay piezas móviles desalineadas o torcidas, si hay piezas rotas y cualquier otra condición que pueda afectar el funcionamiento de la herramienta eléctrica. Si se daña la herramienta eléctrica, hágala reparar antes de usarla.** Muchos accidentes son producto del mantenimiento incorrecto de las herramientas eléctricas y los accesorios.
- **Mantenga las herramientas de corte afiladas y limpias.** Las herramientas de corte que se mantienen adecuadamente, con sus bordes de corte afilados, tienen menos riesgo de trabarse y son más fáciles de controlar.
- **Use la herramienta eléctrica, los accesorios, las brocas, etc., de acuerdo con estas instrucciones, teniendo en cuenta las condiciones de trabajo y el trabajo que realizará.** El uso de la herramienta eléctrica para diferentes funciones distintas a las previstas podría crear una situación de peligro.
- **Mantenga las manijas y las superficies de agarre secas, limpias y sin aceite ni grasa.** Las manijas y superficies de agarre húmedas pueden provocar una manipulación insegura o la pérdida de control de la herramienta.

USO Y CUIDADO DE LA HERRAMIENTA A BATERÍA

- **Mantenga los cables alejados del área de trabajo y de la herramienta.** Durante la operación es posible que haya cables ocultos a la vista, los cuales pueden resultar dañados accidentalmente por la herramienta.
- **Recargue el paquete de baterías solo con el cargador especificado por el fabricante.** Un cargador adecuado para un tipo de paquete de baterías puede crear un riesgo de incendio cuando se usa con otro paquete de baterías. Use solamente con los paquetes de batería y los cargadores que se indican a continuación:
- **Use las herramientas eléctricas solo con los paquetes de baterías específicamente designados para ellas.** El uso de cualquier otro paquete de baterías puede crear un riesgo de lesión e incendio.
- **Cuando el paquete de baterías no está en uso, aléjelo de objetos metálicos, como sujetapapeles, monedas, llaves, clavos, tornillos u otros objetos metálicos pequeños que pudieran crear una conexión entre los terminales.** Es posible que conectar los terminales de la batería entre sí produzca quemaduras o un incendio.

- **En condiciones de maltrato, es posible que salga líquido de la batería. Evite el contacto. Si se produce un contacto accidental, enjuague con agua. Si el líquido entra en contacto con los ojos, solicite atención médica adicional.** El líquido que sale de la batería puede provocar irritación o quemaduras.
- **No utilice un paquete de baterías ni una herramienta si están dañadas o modificadas.** Las baterías dañadas o modificadas pueden mostrar una conducta impredecible que podría provocar incendios, explosiones o riesgo de lesiones.
- **No exponga el paquete de baterías ni la herramienta al fuego o a una temperatura excesiva.** La exposición al fuego o a temperaturas por encima de los 265 °F (130°C) puede causar una explosión.
- **Siga todas las instrucciones de carga y no cargue el paquete de baterías ni las herramientas fuera del rango de temperatura especificado en las instrucciones.** La carga inadecuada o a temperaturas fuera del rango especificado podría dañar la batería y aumentar el riesgo de incendio.

MANTENIMIENTO

- **Permita que solo una persona capacitada repare la herramienta eléctrica, mediante el uso solo de piezas de repuesto idénticas.** Esto mantendrá la seguridad de la herramienta eléctrica.
- **Nunca realice mantenimiento a los paquetes de baterías.** Solo el fabricante o proveedores de servicio autorizados pueden realizar el mantenimiento de los paquetes de baterías.

ADVERTENCIA DE SEGURIDAD DE LA MOTOSIERRA

Advertencias generales de seguridad para motosierras:

- **Mantenga todas las partes del cuerpo alejadas de la cadena de la sierra cuando la motosierra esté en funcionamiento. Antes de arrancar la motosierra, asegúrese de que la cadena de la sierra no esté en contacto con nada.** Es posible que un momento de desatención mientras se estén utilizando motosierras haga que la ropa o el cuerpo del operador se enganchen con la cadena.
- **Agarre siempre la motosierra con la mano derecha en la empuñadura trasera y la mano izquierda en la empuñadura delantera.** Si se agarra la motosierra con una configuración invertida de las manos, se aumenta el riesgo de lesiones corporales y esto no se deberá hacer nunca.

- **Agarre la motosierra solamente por las superficies de agarre con aislamiento, porque es posible que la cadena de la sierra entre en contacto con cables ocultos.** Es posible que las motosierras que entren en contacto con un cable que tenga corriente hagan que las partes metálicas de la motosierra que estén al descubierto tengan corriente, lo cual podría causar una descarga eléctrica al operador.
- **Use protección ocular. Se recomienda usar equipo protector adicional para la audición, la cabeza, las manos, las piernas y los pies.** El equipo protector adecuado reducirá las lesiones corporales causadas por los residuos que salgan volando o el contacto accidental con la cadena de la sierra.
- **No utilice una motosierra subido a una escalera de mano, desde un tejado o sobre cualquier soporte inestable.** La utilización de una motosierra de esta manera podría causar lesiones corporales graves.
- **Mantenga siempre un apoyo adecuado de los pies y utilice la motosierra solo cuando esté de pie sobre una superficie fija, segura y nivelada.** Es posible que las superficies resbalosas o inestables causen una pérdida de equilibrio o de control de la motosierra.
- **Cuando corte una rama que esté bajo tensión, esté alerta al efecto de resorte.** Al liberarse la tensión de las fibras de madera, es posible que la rama que puede saltar como un resorte golpee al operador y/o lance la motosierra fuera de control.
- **Tenga precaución extrema cuando corte arbustos y retoños.** Es posible que el material delgado se enganche en la cadena de la sierra y sea lanzado hacia usted o que lo jale a usted y lo desequilibre.
- **Transporte la motosierra por la empuñadura delantera con la herramienta apagada y alejada del cuerpo. Cuando transporte o almacene la motosierra, ajuste siempre la cubierta de la espada.** Un manejo adecuado de la motosierra reducirá la probabilidad de contacto accidental con la cadena de la sierra cuando esta se esté moviendo.
- **Siga las instrucciones de lubricación, tensado de la cadena y cambio de la espada y la cadena.** Es posible que una cadena tensada o lubricada incorrectamente se rompa o que aumente la probabilidad de retroceso.
- **Corte solamente madera. No utilice la motosierra para fines para los que no está diseñada. Por ejemplo: no utilice la motosierra para cortar metal, plástico, mampostería o materiales de construcción que no sean de madera.** La utilización de la motosierra para operaciones distintas a las previstas podría causar una situación peligrosa.

- **No intente talar un árbol hasta que entienda los riesgos y cómo evitarlos.** El operador o la personas que estén presentes podrían sufrir lesiones graves mientras se tala un árbol.
- **Esta motosierra no está diseñada para talar árboles. El uso de la motosierra para operaciones distintas a las previstas podría causar lesiones graves al operador o las personas que estén presentes.**
- **Siga todas las instrucciones cuando retire material atorado, almacene la motosierra o le haga servicio de ajustes y reparaciones.** Asegúrese de que el interruptor esté en la posición de apagado y que el paquete de batería se haya retirado. Es posible que un accionamiento inesperado de la motosierra mientras se retira material atorado o se realiza servicio de ajustes y reparaciones cause lesiones corporales graves.
- **No utilice una motosierra en un árbol a menos que haya recibido capacitación específica para hacerlo.** La utilización de una motosierra en un árbol sin capacitación adecuada podría aumentar el riesgo de lesiones corporales graves.

CAUSAS DEL RETROCESO Y SU PREVENCIÓN POR EL OPERADOR

Es posible que ocurra retroceso cuando la nariz o la punta de la espada toque un objeto, o cuando la madera se cierre y pellizque la cadena de la sierra en el corte.

Es posible que el contacto con la punta en algunos casos cause una reacción inversa repentina y lance la espada hacia arriba y hacia atrás, hacia el operador.

Es posible que si la cadena de la sierra se pellizca a lo largo de la parte superior de la espada, dicha espada resulte empujada rápidamente hacia atrás, hacia el operador.

Es posible que cualquiera de estas dos reacciones haga que usted pierda el control de la sierra, lo cual podría causar lesiones corporales graves. No confíe exclusivamente en los dispositivos de seguridad incorporados a la sierra. Como usuario de una motosierra, usted deberá tomar varias medidas para mantener los trabajos de corte que realice libres de accidentes o lesiones.

El retroceso es el resultado de un uso indebido de la motosierra y/o procedimientos o condiciones de utilización incorrectos, y se puede evitar tomando las precauciones debidas, tal y como se indica a continuación:

- **Mantenga un agarre firme, con los pulgares y los dedos formando un círculo alrededor de las empuñaduras de la motosierra, con ambas manos en la sierra, y posicione el cuerpo y el brazo de manera que le permitan resistir las fuerzas de retroceso.** Las fuerzas de retroceso pueden ser controladas por el operador, si se toman las precauciones adecuadas. No suelte la motosierra.
- **No intente alcanzar demasiado lejos y no corte a una altura por encima del hombro.** Esto ayuda a prevenir el contacto accidental con la punta y permite un mejor control de la motosierra en situaciones inesperadas.
- **Utilice únicamente espadas y cadenas de sierra de repuesto especificadas por el fabricante.** Es posible que las espadas y cadenas de sierra de repuesto incorrectas causen rotura de la cadena y/o retroceso.
- **Siga las instrucciones de afilado y mantenimiento del fabricante de la motosierra.** Una disminución de la altura del calibre de profundidad puede causar un aumento de retroceso.

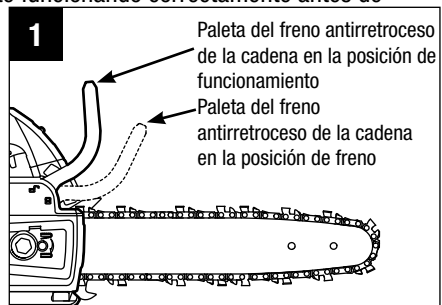
DISPOSITIVOS DE SEGURIDAD ANTIRRETROCESO DE ESTA MOTOSIERRA

Freno de la cadena

La motosierra viene equipada con un freno de la cadena, el cual detiene tanto el motor como el movimiento de la cadena cuando ocurre retroceso. El freno de la cadena se puede activar por medio del movimiento hacia delante de la paleta del freno antirretroceso de la cadena mientras la sierra rota hacia atrás durante un retroceso; también se puede activar por las fuerzas internas generadas durante un empuje hacia atrás rápido.

⚠ ADVERTENCIA: No modifique ni intente inutilizar nunca el freno de la cadena. Asegúrese de que el freno de la cadena esté funcionando correctamente antes de utilizar la motosierra. La paleta del freno antirretroceso de la cadena se debería mover fácilmente hacia detrás y hacia delante.

Para comprobar el funcionamiento del freno de la cadena, realice las siguientes acciones (Fig. 1):



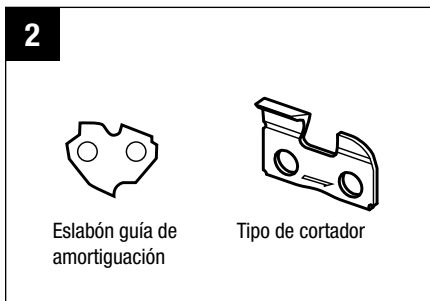
- Coloque la motosierra sobre una superficie plana y despejada, y asegúrese de que no haya objetos ni obstrucciones en proximidad inmediata que podrían entrar en contacto con la espada y la cadena.
- Desactive el freno de la cadena jalando la paleta del freno antirretroceso de la cadena hacia la empuñadura delantera.
- Arranque la motosierra.
- Empuje la paleta del freno antirretroceso de la cadena hacia la parte delantera de la sierra. Un freno de mano que funcione correctamente detendrá inmediatamente el movimiento de la cadena. Si el freno de la cadena no está funcionando correctamente, no utilice la motosierra hasta que dicho freno haya sido reparado por un técnico de servicio calificado.

⚠ ADVERTENCIA: Confirme que el freno de la cadena funciona correctamente antes de cada uso.

⚠ ADVERTENCIA: Si el freno de la cadena está obstruido con virutas de madera, es posible que la función de dicho freno se deteriore. Mantenga siempre limpio el dispositivo.

Cadena de sierra de bajo retroceso

Los calibres de profundidad con forma de rampa ubicados delante de cada cortador pueden minimizar la fuerza de una reacción de retroceso al impedir que los cortadores penetren demasiado profundamente en la zona de retroceso. Utilice únicamente una cadena de repuesto que sea equivalente a la cadena original o que haya sido certificada como cadena de bajo retroceso conforme a la norma ANSI B175.1. Una cadena de sierra con dientes de bajo retroceso es una cadena que ha cumplido con los requisitos de rendimiento antirretroceso de la norma ANSI B175.1 (American National Standard for Power Tools – Gasoline-Powered Chain Saws- Safety Requirements [Norma Nacional Estadounidense para Herramientas Eléctricas, Requisitos de seguridad para motosierras a gasolina]) cuando se somete a prueba en el ejemplo representativo de motosierras con un desplazamiento en pulgadas cúbicas (c.i.d.) inferior a 3,8 según se especifica en la norma ANSI B175.1.



El eslabón de guía de amortiguación (Fig. 2) también ayuda a producir un buen rendimiento con bajo retroceso.

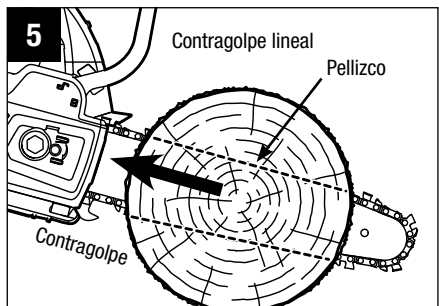
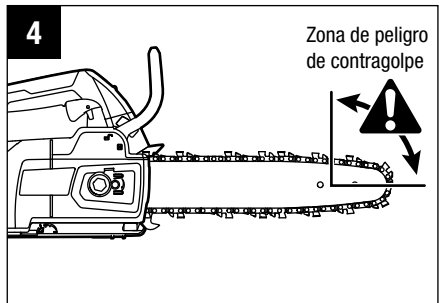
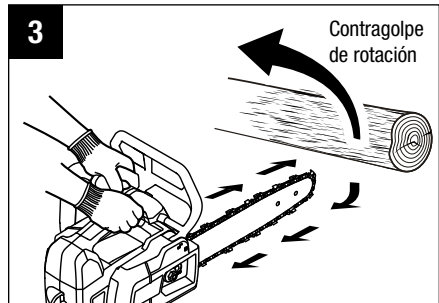
⚠ PRECAUCIÓN: A medida que las cadenas de sierra se van afilando durante su vida útil, pierden parte de las cualidades de bajo retroceso y se deberá tener precaución adicional.

ESPADA

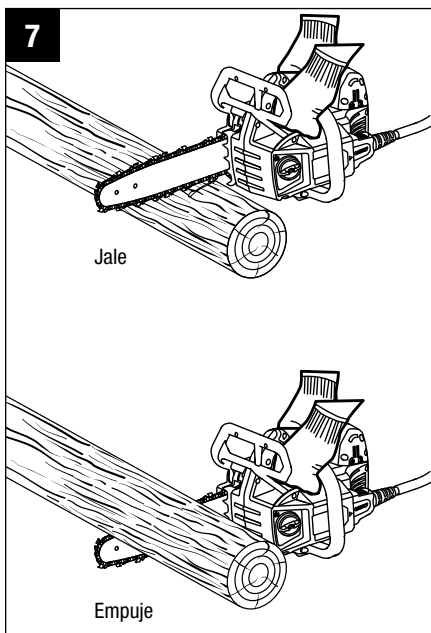
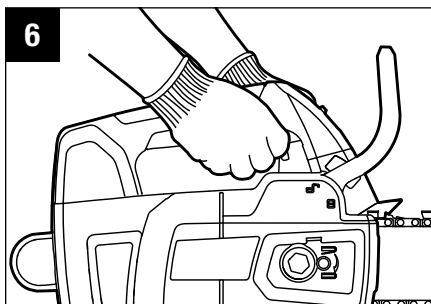
Esta sierra viene equipada con una espada que tiene una nariz de radio pequeño. Las narices de radio pequeño generalmente tienen menos potencial de retroceso. Cuando reemplace la espada, asegúrese de ordenar la espada indicada en este manual.

ADVERTENCIAS ADICIONALES

- El usuario que utilice la herramienta por primera vez deberá, como mínimo, practicar el corte de troncos en un caballete o una base tipo cuna.
- **Si tiene una comprensión básica del contragolpe (Fig. 3-5), puede reducir o eliminar el elemento sorpresa.** La sorpresa repentina contribuye a que se produzcan accidentes.
- **Asegúrese de que el área donde está cortando esté libre de obstáculos.** No deje que la punta de la espada haga contacto con troncos, ramas, cercas ni ningún otro obstáculo que pudiera golpear al utilizar la motosierra.
- **Inspeccione la pieza de trabajo para verificar que no tenga clavos, cables ni ningún otro objeto extraño antes de cortarla.**



- **Planifique el trabajo y asegúrese de que el área de trabajo esté libre de obstáculos. Si se trata de la tala de árboles, debe haber al menos una vía de escape del árbol al caer.**
- **Al talar árboles, las personas cercanas deben mantenerse a una distancia equivalente al doble de la longitud del árbol, como mínimo.**
- **Mantenga el equilibrio y una postura adecuada en todo momento.**
- **Las motosierras deben usarse con las dos manos.** Si se usan con una sola mano, el operador, los ayudantes o los transeúntes pueden sufrir lesiones graves (Fig. 6).
- **Siempre corte con la máquina a velocidad plena.** Presione el gatillo interruptor a fondo y mantenga la velocidad de corte.
- **Tiro y empuje:** la fuerza de reacción siempre es opuesta a la dirección en que se mueve la cadena donde hace contacto con la madera. Por lo tanto, el operador debe estar preparado para controlar el movimiento de TIRO cuando está cortando con el borde inferior de la espada y el movimiento de EMPUJE cuando está cortando con el borde superior (Fig. 7).
- **La fatiga causa descuido. Sea más cuidadoso antes de los periodos de descanso y hacia el final de su turno.**
- Cuando transporte la motosierra, utilice cubiertas de transporte adecuadas, que deberían estar disponibles para la espada y la cadena de la sierra



- Tenga cuidado con la intoxicación por monóxido de carbono. Utilice la motosierra solo en áreas bien ventiladas
- **Evite el contacto accidental con la cadena de la motosierra estática o los rieles de la espada.** Estas pueden ser muy filosas. Siempre use guantes y pantalones largos o chaparreras al manipular la motosierra, la cadena de la motosierra o la espada.
- **Nunca utilice una motosierra si está dañada o ajustada incorrectamente, o si no está ensamblada de forma completa y segura.** Asegúrese de que la motosierra se detenga al soltar el gatillo interruptor.
- **Al leñar, asegure la pieza de trabajo antes de cortarla. Al talar o podar árboles, identifique y asegure las ramas peligrosas.**
- **Si se usa la motosierra indebidamente o se abusa al cortar el material, se puede producir el desgaste prematuro de la espada, la cadena o el piñón, además de que puede averiarse la cadena o la espada y producirse el efecto de contragolpe, despedirse la cadena o dispararse el material.**
- **Nunca use la espada como palanca.** Si la espada está doblada, se puede producir el desgaste prematuro de la espada, la cadena o el piñón, además de que puede averiarse la cadena o la espada y producirse el efecto de contragolpe, despedirse la cadena o dispararse el material.
- **Corte solo una pieza de trabajo a la vez.**
- **No intente atrapar secciones que se estén cayendo ni hacer cortes si el operador solo está sujeto con una cuerda.** Utilice siempre dos cuerdas de seguridad.
- **Durante las operaciones de tala, levante inmediatamente su protección de la audición cuando el aserrado se haya completado.** Es importante que oiga los sonidos y las señales de advertencia.
- **Si la cadena de la sierra está bloqueada por un objeto:** Apague la motosierra, active el freno de la cadena, retire el enchufe de alimentación y luego retire el objeto que causa el bloqueo.
- **Compruebe regularmente la tensión de la cadena durante el trabajo de corte.** Si la tensión de la cadena es insuficiente: Tense la cadena.
- **La información contenida en este manual del operador no es una alternativa a los conocimientos y la experiencia profesionales.** Si no se siente seguro acerca de cómo utilizar este producto, acuda a una persona que tenga conocimientos y experiencia profesionales.

- **Este producto tiene un mayor riesgo de pérdida de control. Solo las personas que tengan capacitación especial en la técnica de corte y trabajo deben utilizar este producto en un árbol.** El operador debe tener equipo de seguridad, como un elevador, cuerdas y un arnés de seguridad. Se recomiendan motosierras normales para todo el trabajo a nivel del piso.
- **Siga las instrucciones de las técnicas especiales de corte y trabajo para reducir el riesgo de lesiones. No trabaje en un árbol a menos que tenga capacitación profesional para dicho trabajo.** Esta capacitación incluye técnicas de escalada y posiciones de trabajo seguras. Usted debe aprender a utilizar equipos tales como arneses, cuerdas, cinturones, garfios de trepar y mosquetones.
- **Cuando se esté utilizando una motosierra, deberá haber disponible un extinguidor de incendios.**
- **Utilice la herramienta solo con los paquetes de batería y los cargadores que se indican a continuación:**

PAQUETE DE BATERÍA	CARGADOR
BA1400, BA1400-FC, BA2800, BA2800-FC, BA4200, BA4200-FC, BA1400T, BA1400T-FC, BA2800T, BA2800T-FC, BA4200T, BA4200T-FC, BA5600T, BA5600T-FC, BA2240T, BA2240T-FC	CH2100, CH2100-FC, CH5500, CH5500-FC, CH2800D, CH2800D-FC, CHX5500, CHX5500-FC; CH7000, CH7000-FC

- **No cargue el paquete de batería en la lluvia ni en lugares mojados.**
- **Si ocurren situaciones que no están cubiertas en este manual, tenga cuidado y use un criterio sensato. Contacte a Servicio al Cliente de EGO para obtener asistencia.**

¡GUARDE ESTAS INSTRUCCIONES!

GLOSARIO DE TÉRMINOS

Lubricador automático: Un sistema que lubrica automáticamente la espada y la cadena de la sierra.

Tronzado de troncos: El proceso de cortar transversalmente un árbol talado o un tronco en tramos longitudinales.

Púas tronzadoras de troncos: El diente puntiagudo o los dientes puntiagudos para utilizarse cuando se tale o cuando se tronquen troncos para pivotar la sierra y mantener la posición mientras se está aserrando.

Freno de la cadena: Un dispositivo que se utiliza para parar inmediatamente la cadena de la sierra.

Cabezal motriz de la motosierra: Una motosierra sin cadena de sierra ni espada.

Piñón de transmisión: La pieza dentada que impulsa la cadena de la sierra.

Desramado: La retirada de las ramas de un árbol.

Tala: El proceso de cortar y derribar un árbol.

Corte trasero de tala: El corte final en una operación de tala de un árbol, realizado en el lado opuesto del árbol respecto al corte inferior de enmuescado.

Retroceso: El movimiento hacia detrás o hacia arriba, o ambos, de la espada, que ocurre cuando la cadena de la sierra cerca de la nariz del área superior de la espada entra en contacto con cualquier objeto, tal como un tronco o una rama, o cuando la madera se cierra y pellizca la cadena de la sierra en el corte.

Cadena de bajo retroceso: Una cadena que cumple con los requisitos de rendimiento antirretroceso de la norma ANSIB175.1 cuando se somete a prueba en una muestra representativa de motosierras.

Posición de corte normal: Las posiciones que se adoptan al realizar cortes de tronzado de troncos y de tala.

Corte inferior de enmuescado: Un corte de una muesca en un árbol que dirige la caída del mismo.

Espada de retroceso reducido: Una espada que se ha demostrado que reduce significativamente el retroceso.

INTRODUCCIÓN

Felicitaciones por su selección de la motosierra alimentada por ion litio de 56 V de nueva generación. Esta motosierra ha sido diseñada, concebida y fabricada para ofrecerle a usted la mejor confiabilidad y el mejor rendimiento posibles.

En caso de que tuviera algún problema que no pudiera resolver fácilmente, póngase en contacto con el Centro de Servicio al Cliente de EGO al 1-855-EGO-5656.


Este manual contiene información importante para el ensamblaje, la operación y el mantenimiento seguro de su motosierra. Léalo atentamente antes de usar la motosierra.

Mantenga este manual a mano para poder consultarlo en cualquier momento.

NÚMERO DE SERIE _____ FECHA DE COMPRA _____

DEBE ANOTAR EL NÚMERO DE SERIE Y LA FECHA DE COMPRA, Y CONSERVARLOS EN UN LUGAR SEGURO PARA CONSULTARLOS EN EL FUTURO.

ESPECIFICACIONES

Voltaje	56V 
Longitud de la espada	12" (300mm)
Paso de la cadena	3/8" (9.5mm)
Calibre de la cadena	0.043" (1.1mm)
Tipo de cadena	AC1200
Número de eslabones guía	45
Velocidad de la Cadena	20m/s
Tipo de espada	AG1200
Capacidad del depósito de aceite de la cadena	8.4 oz. (250 ml)
Temperatura de funcionamiento recomendada	-15°C-40°C(5°F-104°F)
Temperatura de almacenamiento recomendada	-20°C-70°C(-4°F-158°F)
Peso neto (sin paquete de baterías y funda de la cadena)	7.7 lbs. (3.5 kg)

Espada y cadena recomendadas para esta motosierra

NOMBRE DE LA PIEZA	NÚMERO DE MODELO
Espada	AG1200(Recomendado) AG1400(Compatible) AG1600(Compatible)
Cadena de la motosierra	AC1200(Recomendado) AC1400(Compatible) AC1600(Compatible)

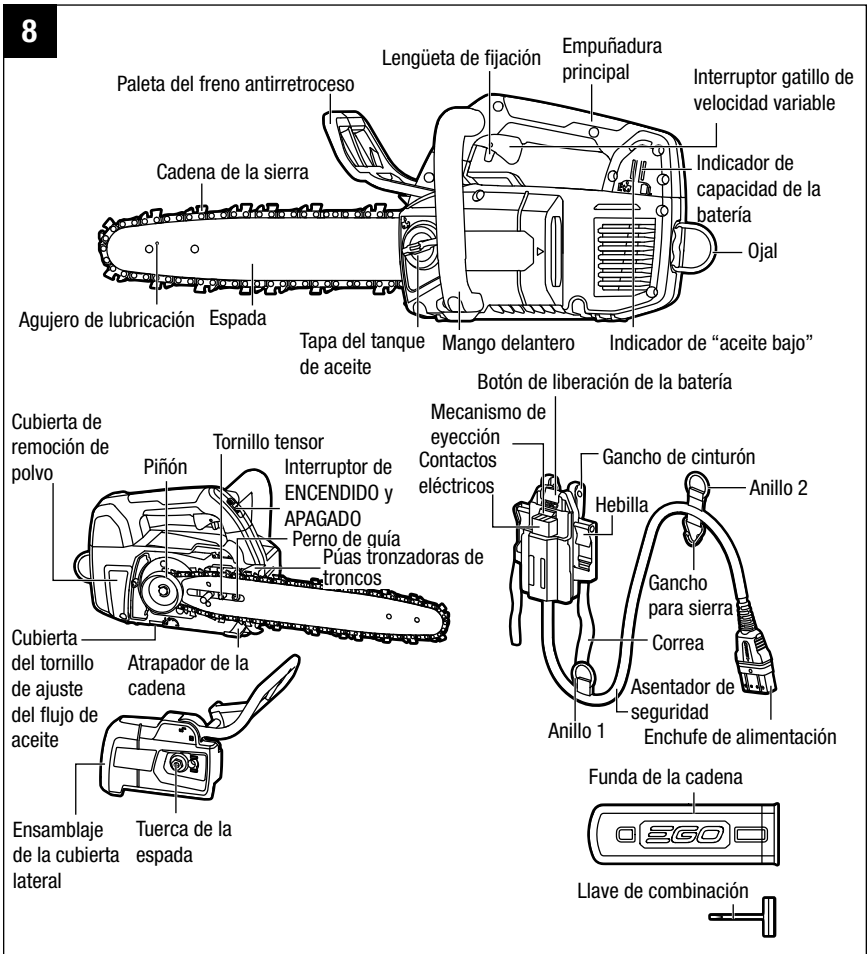
LISTA DE EMPAQUETAMIENTO

NOMBRE DE LA PIEZA	CANTIDAD
Motosierra	1
Funda de la cadena	1
Espada	1
Cadena de la sierra	1
Funda de la batería	1
Llave de combinación	1
Manual del operador	1

DESCRIPCIÓN

CONOZCA SU MOTOSIERRA (Fig. 8)

El uso seguro de este producto requiere la comprensión de la información impresa en la herramienta y en el Manual del usuario, así como ciertos conocimientos sobre el proyecto a realizar. Antes de usar este producto, familiarícese con todas las características operativas y reglas de seguridad.



Interruptor gatillo de velocidad variable

Enciende y apaga la motosierra y ajusta la velocidad de la cadena.

Lengüeta de fijación

Ayuda a prevenir la activación accidental o no autorizada del gatillo de velocidad variable. Se debe plegar hacia arriba antes de que el gatillo de velocidad variable se pueda activar.

Interruptor de ENCENDIDO y APAGADO

Al poner el interruptor de ENCENDIDO y APAGADO en la posición de “Apagado” se bloquea el gatillo de velocidad variable para impedir que la sierra sea activada accidentalmente.

Paleta del freno antirretroceso

Sirve de palanca para activar el freno de la cadena. También proporciona protección contra las ramas que sobresalen y ayuda a evitar que la mano izquierda toque la cadena de la sierra si resbala y se separa de la empuñadura delantera.

Empuñadura principal

Para utilizar, agarrar y controlar la motosierra.

Empuñadura delantera

Para agarrar, controlar y transportar la motosierra.

Cubierta de remoción de polvo

Utilice aire comprimido para soplar el aserrín y las virutas hacia fuera de la aleta de enfriamiento.

Ensamblaje de la cubierta lateral

Cubre el piñón de transmisión y fija la espada.

Tapa del tanque de aceite

Sella el tanque de aceite. La llave de combinación (suministrada) se puede utilizar para aflojar la tapa si está cerrada demasiado firmemente.

Indicador de “aceite bajo”

La luz roja parpadea: El nivel de aceite está bajo.

La luz está apagada: El nivel de aceite es normal.

Indicador de la capacidad de la batería

La luz verde parpadea: La carga de la batería está casi agotada.

Luz verde continua: La batería está cargada adecuadamente.

Tornillo tensor de la cadena

Se utiliza para ajustar la tensión de la cadena.

Tuerca de la espada

Mantiene en la posición correcta el ensamblaje de la cubierta lateral y la espada.

Púas tronzadoras de troncos

Tope dentado para sujetar firmemente la sierra contra la madera.

Ojal

Para colgar la sierra en el arnés cuando se trabaja en un árbol.

Atrapador de la cadena

Reduce el riesgo de contacto del operador con la cadena si esta se sale de la espada o se rompe.

Asentador de seguridad

Es un acolador que sujeta la motosierra al arnés de escalada de su usuario.

Gancho de cinturón

Cuelga la funda de la batería en el arnés de escalada.

Correa

Fija la funda de la batería al arnés de escalada.

Hebilla

Fija la correa en la posición correcta.

ENSAMBLAJE

⚠ ADVERTENCIA: si hay piezas dañadas o faltan piezas, no utilice el producto hasta que las reemplace. Usar este producto con piezas dañadas o faltantes podría provocar lesiones personales graves.

⚠ ADVERTENCIA: No intente modificar este producto ni crear accesorios que no sean recomendados para utilizar con este producto. Cualquier alteración o modificación se considera un uso inapropiado y podría generar una condición peligrosa y provocar lesiones personales graves.

⚠ ADVERTENCIA: para evitar un arranque accidental, que puede causar lesiones graves personales, siempre retire el enchufe de la herramienta cuando no esté en uso o cuando esté ensamblando las piezas, realizando ajustes o limpiándola.

RETIRO DEL EMPAQUE

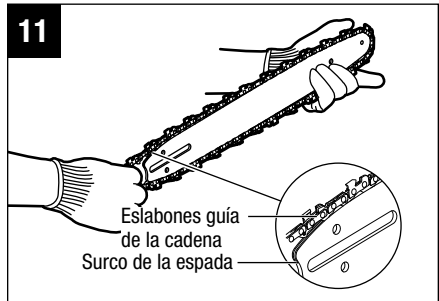
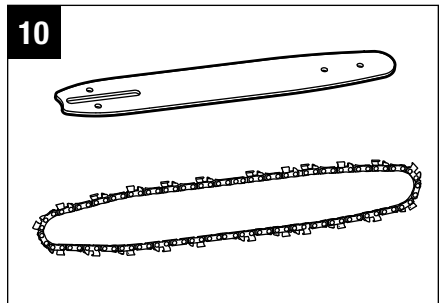
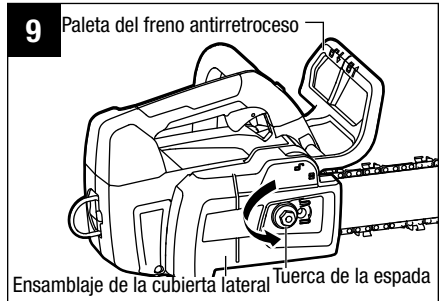
- Este producto requiere de ensamblado.
- Retire el producto y los accesorios de la caja cuidadosamente. Asegúrese de que todos los elementos que aparecen en la lista de empaque estén incluidos.
- Inspeccione cuidadosamente la herramienta para asegurarse de que no se produjo ninguna ruptura o daño durante su envío.
- No deseche el material de embalaje hasta que haya inspeccionado cuidadosamente y utilizado satisfactoriamente la herramienta.
- Si hay piezas faltantes o dañadas, devuelva este producto al lugar donde lo compró.

ENSAMBLAJE Y DEENSAMBLAJE DE LA ESPADA Y LA CADENA

⚠ ADVERTENCIA: Desconecte siempre el enchufe de alimentación antes de ensamblar la sierra o realizar mantenimiento del producto.

⚠ ADVERTENCIA: No toque ni ajuste nunca la cadena mientras el motor esté en marcha. La cadena de la sierra está muy afilada; use siempre guantes protectores cuando realice mantenimiento de la cadena.

1. Asegúrese de que la paleta del freno antirretroceso esté colocada en la posición .
2. Use guantes protectores, desenrosque la tuerca de la espada por medio de la llave de combinación (suministrada) y luego retire el ensamblaje de la cubierta lateral (Fig. 9).
3. Tienda la cadena de la sierra en forma de bucle sobre una superficie plana y enderece todos los enredos (Fig. 10).




4. Coloque los eslabones guía de la cadena dentro del surco de la espada y haga con la cadena un bucle en la parte trasera de la espada (Fig. 11).
5. Sostenga la cadena en la posición correcta sobre la espada, coloque el bucle alrededor del piñón del cabezal motriz y compruebe los siguientes elementos (Fig. 12):
 - a) Los eslabones guía de la cadena están asentados en los dientes del piñón de la cadena.
 - b) La cabeza del tornillo de fijación y el perno de guía están ubicados en la ranura de la espada.

c) El pasador tensor está acoplado en el agujero de la espada.

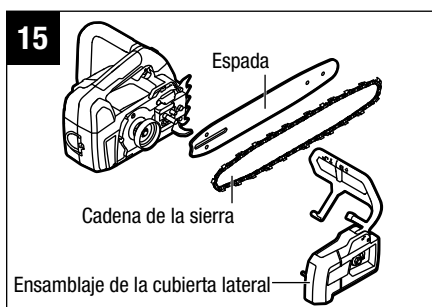
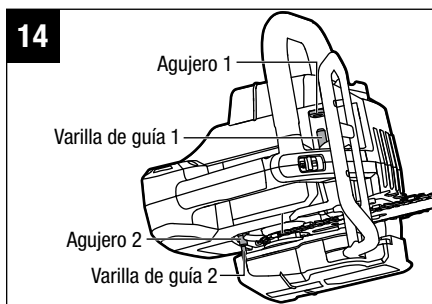
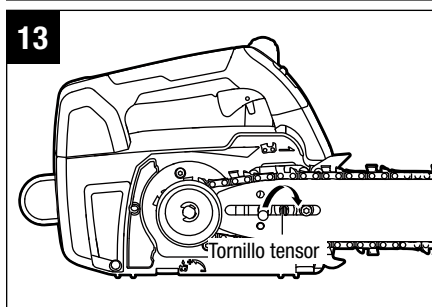
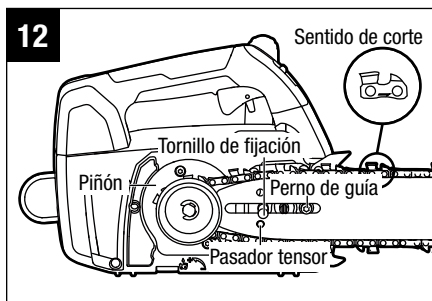
AVISO: Asegúrese de que la dirección de las flechas ubicadas en los dientes de la cadena de la sierra señale siempre hacia delante (Fig. 12).

- Gire el tornillo tensor en el sentido de las agujas del reloj hasta que la cadena encaje firmemente contra la espada. Asegúrese de que las espigas de los eslabones guía de la cadena se acoplen en el surco de la espada. La espada y la cadena deben estar montadas y sujetas firmemente en la motosierra (Fig. 13).

- Ponga la paleta del freno antirretroceso en la posición , alinee las dos varillas de guía del ensamble de la cubierta lateral con sus agujeros respectivos en la sierra y luego encaje el ensamble de la cubierta lateral (Fig. 14).

- Apriete la tuerca de la espada.

AVISO: Si es necesario reemplazar la espada, desensamble el ensamble de la cubierta lateral y reensámblelo con la espada nueva de la manera que se muestra en la Fig. 15.



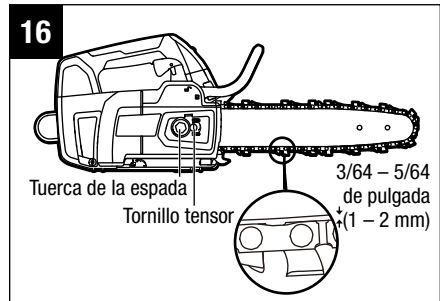
TENSADO DE LA CADENA DE LA SIERRA

⚠ ADVERTENCIA: No toque ni ajuste nunca la cadena mientras el motor esté en marcha. La cadena de la sierra está muy afilada; use siempre guantes protectores cuando realice mantenimiento de la cadena.

La cadena de la sierra se expande o se contrae durante la utilización normal de la sierra. La tensión de la cadena cambia como resultado de ello. Compruebe regularmente la tensión de la cadena durante la utilización de la sierra y reajústela si es necesario.

1. Apague la motosierra, active el freno de la cadena y desconecte el enchufe de alimentación.
2. Afloje la tuerca de la espada hasta que la espada se pueda mover libremente.
3. Sostenga la nariz de la espada hacia arriba y ajuste el tornillo tensor hasta que se apliquen los siguientes puntos:
 - a) El pando de la cadena en el centro de la espada es de alrededor de $3/64 - 5/64$ de pulgada (1 – 2 mm) de la manera que se muestra en la ilustración (Fig. 16).
 - b) Desactive el freno de la cadena y asegúrese de que la cadena se pueda jalar a lo largo de la espada con dos dedos.

AVISO: Realice cuidadosamente este paso para evitar lesiones corporales. Debido a la presencia de piezas magnéticas en el motor eléctrico de CC, a diferencia de lo que ocurre con las motosierras de gasolina convencionales, cuando usted pase dos dedos por la cadena de la sierra, sentirá cierta cantidad de resistencia. No es tan suave en comparación con una motosierra de gasolina.



4. Sostenga la nariz de la espada hacia arriba y apriete la tuerca de la espada.

AVISO: Si el pando de la cadena en el centro de la espada no es de $3/64 - 5/64$ de pulgada (1 – 2 mm), reajuste la tensión de la cadena.

OPERACIÓN

⚠ ADVERTENCIA: No permita que estar familiarizado con este producto lo vuelva imprudente. Recuerde que un descuido de una fracción de segundo es suficiente para ocasionar lesiones graves.

⚠ ADVERTENCIA: Siempre use lentes de protección con protección lateral que cumpla con la norma ANSI Z87.1, junto con protección auditiva. De lo contrario, podría provocar que se disparen objetos hacia sus ojos y otras posibles lesiones graves.

⚠ ADVERTENCIA: No use ningún aditamento ni accesorio no recomendado por el fabricante de este producto, ya que esto podría provocar lesiones graves. Antes de cada uso, inspeccione todo el producto para determinar si hay piezas dañadas, si faltan piezas o si hay piezas flojas, tales como tornillos, tuercas, pernos, etc. Apriete firmemente todos los sujetadores y todas las tapas y no utilice este producto hasta que todas las piezas que falten o estén dañadas hayan sido reemplazadas.

APLICACIONES

- Esta motosierra está diseñada específicamente para realizar cirugía y mantenimiento en árboles.
- Esta motosierra se deberá utilizar para realizar trabajo en un árbol por personas con capacitación en técnicas especiales de corte y trabajo.

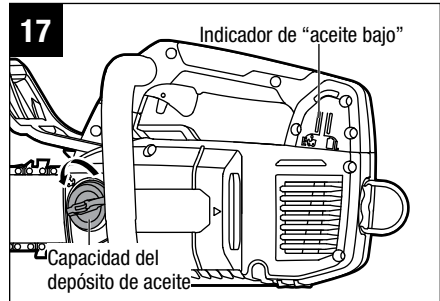
LLENADO DEL TANQUE DE ACEITE

⚠ ADVERTENCIA: Para prevenir arranques accidentales que podrían causar lesiones corporales graves, desconecte siempre el enchufe de alimentación de la herramienta antes de llenar el tanque con aceite.

⚠ ADVERTENCIA: No fume ni traiga fuegos o llamas cerca del aceite o la motosierra. Es posible que el aceite se derrame y cause un incendio.

AVISO: La motosierra no está llena de aceite en el momento de su compra. Es esencial llenar el tanque con aceite antes de utilizarla. Utilizar la motosierra sin aceite para cadenas e ignorar el mensaje del indicador de “aceite bajo” (luz roja parpadeante) tendrá como resultado daños a la motosierra. La vida útil de la cadena y la capacidad de corte dependen de que la lubricación sea óptima. La cadena se lubrica automáticamente con aceite para cadenas durante la utilización de la motosierra.

1. Desconecte el enchufe eléctrico de la motosierra.
2. Limpie la tapa del tanque de aceite y el área alrededor de la misma para asegurarse de que no caiga suciedad en el tanque de aceite.
3. Posicione la motosierra sobre uno de sus lados en una superficie firme y plana, de manera que la tapa del tanque esté orientada hacia arriba. Rote la tapa del tanque de aceite en sentido contrario al de las agujas del reloj para retirarla o utilice la cabeza para ranuras de la llave de combinación (suministrada) para aflojar la tapa del tanque de aceite cuando esté demasiado apretada (Fig. 17).



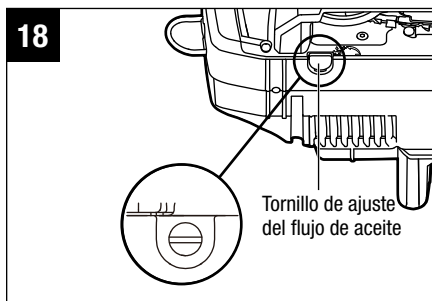
4. Vierta cuidadosamente el aceite en el tanque de aceite. Tenga cuidado de no dejar que se derrame aceite por la abertura. Llene el tanque hasta la parte inferior del cuello de llenado. Elimine con un paño todo exceso de aceite.
5. Rote la tapa en el sentido de las agujas del reloj para cerrarla y coloque la sierra en posición vertical.

AVISO:

- No utilice nunca aceite u otros lubricantes que no estén diseñados específicamente para utilizarse en la espada y la cadena. Esto puede hacer que el sistema de aceite se obstruya, lo cual es posible que cause desgaste prematuro de la espada y la cadena. El aceite recomendado deberá ser amarillo translúcido, rojo translúcido o incoloro translúcido.
- Compruebe frecuentemente el indicador de “aceite bajo” y no utilice nunca la motosierra con escasez de aceite.
- No utilice aceite sucio, usado o que esté contaminado de alguna otra manera. Es posible que ocurran daños en la espada o la cadena.
- Es normal que escape aceite de la sierra cuando la misma no se esté utilizando. Para prevenir los escapes, vacíe el tanque de aceite después de cada uso y luego tenga en funcionamiento la sierra durante un minuto. Cuando almacene la herramienta por un período de tiempo prolongado, asegúrese de que la cadena esté ligeramente lubricada; esto evitará que se forme óxido en la cadena y la espada, así como dentro del piñón de transmisión.
- Para preservar los recursos naturales, sírvase reciclar o desechar adecuadamente el aceite. Consulte a su autoridad local de eliminación de residuos para obtener información sobre las opciones de reciclaje y eliminación disponibles.

AJUSTE DEL FLUJO DE ACEITE

- Esta sierra está equipada con un **tornillo de ajuste del flujo de aceite**, ubicado en la parte inferior de la herramienta, que se utiliza para ajustar el flujo de aceite para lubricar la cadena, la espada y el sistema de corte (Fig. 18). Aumente o reduzca el flujo de aceite girando el tornillo (utilizando la llave de combinación) en el sentido de las flechas marcado en la carcasa.



INDICADOR LED DE LA MOTOSIERRA

La motosierra está equipada con 2 indicadores LED para mostrar el estado del aceite y el nivel de carga del paquete (o los paquetes) de batería.

Indicador LED		Significado	Acción
Indicador de "aceite bajo"	Parpadea en rojo	Falta aceite	Llene con aceite
	Apagado	Tiene aceite	/
indicador de la batería	Se enciende en verde	El paquete de batería está cargado adecuadamente	/
		El paquete de batería está casi agotado y es necesario cargarlo inmediatamente.	Cargue la batería

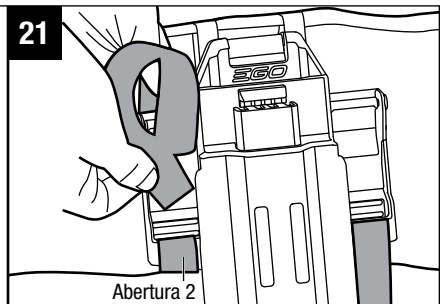
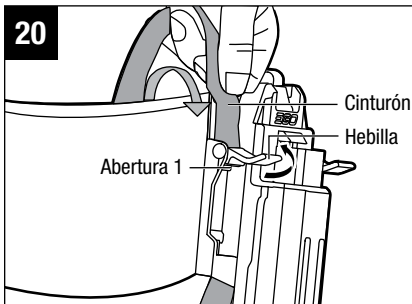
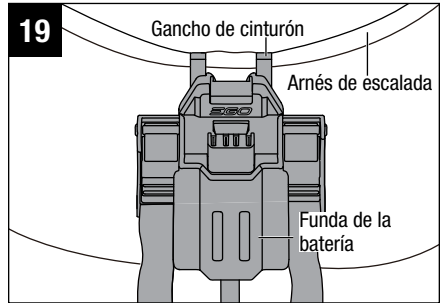
INSTALACIÓN DE LA FUNDA DE LA BATERÍA EN EL ARNÉS DE ESCALADA

Esta motosierra viene con una funda de la batería, que se utiliza para transportar el paquete de batería y se puede sujetar al arnés de escalada (no suministrado).

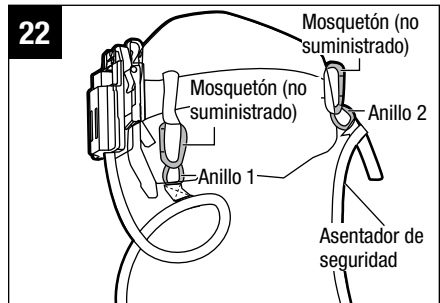
⚠ ADVERTENCIA: El arnés de escalada con función de liberación rápida debe estar preparado para prevenir la emergencia si esta ocurre.

AVISO: Sujete firmemente la funda de la batería al arnés de escalada antes de utilizar dicho arnés.

1. Busque un punto preferible para colgar esta funda de la batería en el arnés de escalada y cuelgue la funda de la batería en el arnés de escalada utilizando el gancho de cinturón (Fig. 19).
2. Enrolle el cinturón alrededor del arnés de escalada para fijar la funda de la batería en la posición correcta (Fig. 20 y 21).

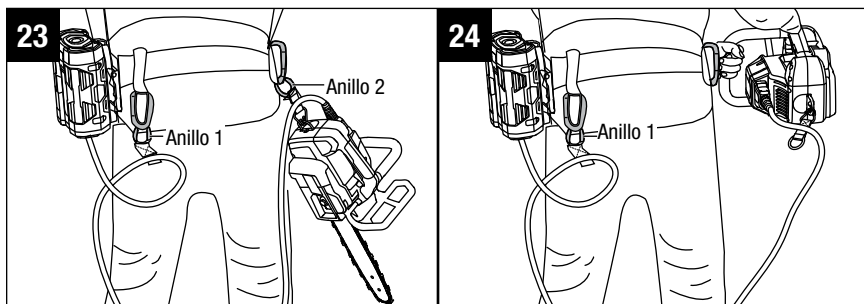


3. Acople los dos anillos del asentador de seguridad en el arnés de escalada utilizando dos mosquetones (no suministrados), de la manera que se muestra a continuación (Fig. 22).



AVISO:

- Cuando trepe a un árbol, acople los anillos 1 y 2 del asentador de seguridad en el arnés de escalada utilizando mosquetones [no suministrados] (Fig. 23).
- Cuando se esté utilizando la herramienta, retire el anillo 2 del arnés de escalada y agarre la sierra con las dos manos para realizar el corte (Fig. 24).

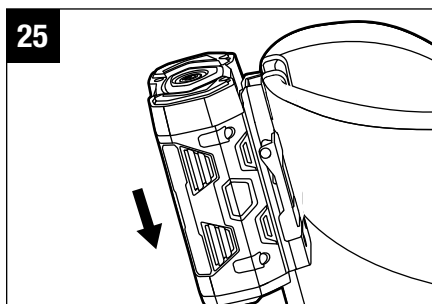


INSTALACIÓN/DESINSTALACIÓN DEL PAQUETE DE BATERÍA

AVISO: Cargue completamente el paquete de batería antes de utilizarlo por primera vez.

Para instalar (Fig. 25)

1. Alinee las costillas del paquete de batería con las ranuras de montaje de la funda de la batería.
2. Deslice el paquete de batería hacia el interior de la funda de la batería hasta que se acople a presión en la posición correcta.

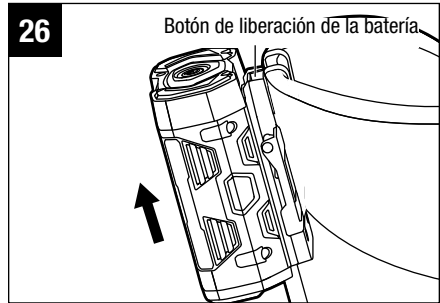


AVISO: Asegúrese de que el pestillo ubicado en la funda de la batería se acople a presión en la posición correcta y que el paquete de batería esté firmemente sujeto a la funda de la batería antes de comenzar a utilizar la herramienta.

Para desinstalar (Fig. 26)

⚠ ADVERTENCIA: El operador debe estar atento siempre a la ubicación de sus pies, los niños o los animales domésticos cuando presione el botón de liberación de la batería. Se podrían producir lesiones graves si el paquete de batería se cae. No retire **NUNCA** el paquete de batería en un lugar elevado.

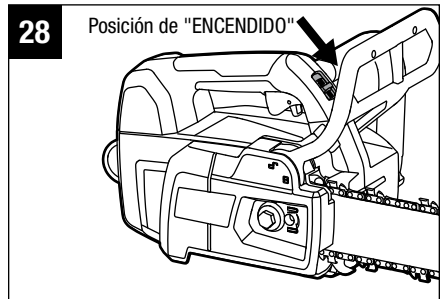
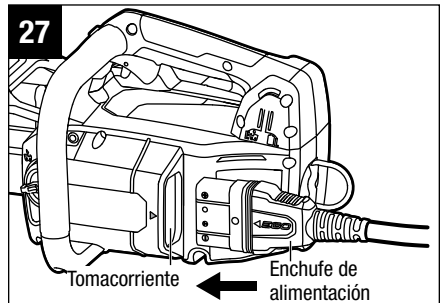
1. Sostenga el paquete de batería en la palma de la mano.
2. Presione el botón de liberación de la batería con el dedo pulgar; el paquete de batería se desacoplará del pestillo.
3. Agarre el paquete de batería y retírelo de la funda de la batería.



ARRANQUE/PARADA DE LA MOTOSIERRA

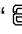
Para arrancar

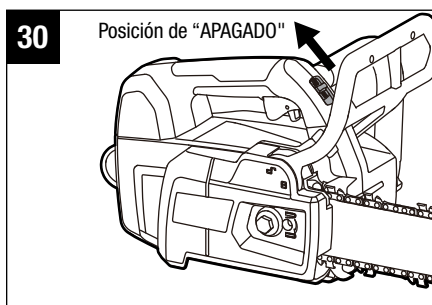
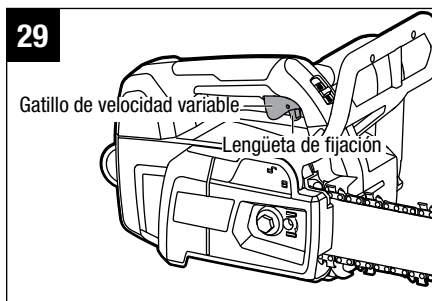
1. Alinee las marcas "▲" ubicadas en el enchufe de alimentación y el tomacorriente de la motosierra, y luego inserte el enchufe de alimentación en la motosierra hasta que el sello VERDE ubicado en el enchufe desaparezca COMPLETAMENTE dentro del tomacorriente (Fig. 27).
2. Empuje el interruptor de "ENCENDIDO y APAGADO" hasta la posición de "ENCENDIDO" (Fig. 28).
3. Jale la paleta del freno antirretroceso hacia la empuñadura principal hasta la posición



4. Mueva la lengüeta de fijación hacia delante y luego presione el gatillo de velocidad variable. Cuanto más jale hacia arriba el gatillo de velocidad variable, mayor será la velocidad de rotación de la cadena de la sierra (Fig. 29).

Para parar

1. Suelte el gatillo de velocidad variable para parar la motosierra.
2. Empuje la paleta del freno antirretroceso hacia delante hasta la posición de freno “” (Fig. 1).
3. Presione el interruptor de “ENCENDIDO y APAGADO” hasta la posición de “APAGADO” (Fig. 30).



AVISO: La cadena de la sierra continuará rotando durante un corto período de tiempo después de soltar el gatillo de velocidad variable. Tenga cuidado de evitar el contacto después de soltar el gatillo de velocidad variable y cuando deje la motosierra en algún lugar.

⚠ ADVERTENCIA: Desconecte siempre el enchufe de alimentación de la motosierra durante las pausas de descanso del trabajo y después de terminar el trabajo.

PREPARACIÓN PARA CORTAR

Consulte la sección “**INSTRUCCIONES DE SEGURIDAD**” que aparecen anteriormente para informarse sobre el equipo de seguridad adecuado.

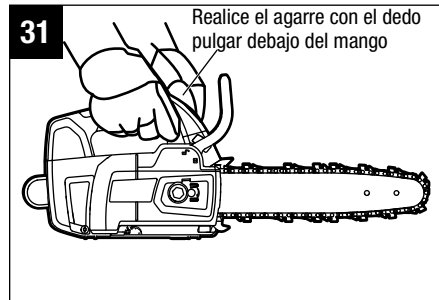
Precauciones en el área de trabajo

- Corte solo madera o materiales hechos de madera; no corte chapa metálica, plásticos, mampostería ni materiales de construcción que no sean de madera.
- No permita nunca que los niños utilicen la motosierra.

- No deje que ninguna persona que no haya leído este manual del operador o recibido instrucciones adecuadas para la utilización segura y adecuada utilice esta motosierra.
- Trabaje siempre dentro de una distancia desde la que pueda llamar a otros en caso de que se necesite ayuda.
- Esté atento a los obstáculos.
- Si trabaja en un árbol: Use una cuerda de protección contra caídas para protegerse.
- Si trabaja en un árbol: Fije la motosierra con una cuerda amarrada al mosquetón para impedir que la sierra se caiga al piso.
- No corte por encima de la altura del pecho, ya que una sierra que se sostenga en una posición más alta es difícil de controlar contra las fuerzas de retroceso.
- El trabajo realizado cerca de cables eléctricos con corriente puede causar un contacto accidental con la cadena y dañar los cables. Esto puede causar lesiones graves o mortales.
- Corte solo cuando la visibilidad y la luz sean adecuadas para que usted vea claramente.
- No trabaje en un lugar fácilmente combustible.

Agarre adecuado de las empuñaduras

- Use guantes antideslizantes para obtener el máximo agarre y la máxima protección.
- Con la sierra sobre una superficie firme y plana, agarre firmemente la sierra con las dos manos.
- Agarre siempre la empuñadura delantera con la mano izquierda y la empuñadura principal con la mano derecha.
- Los dedos deberán formar un círculo alrededor de la empuñadura, de manera que el dedo pulgar envuelva la parte inferior de la empuñadura delantera (Fig. 31).



⚠ ADVERTENCIA: No utilice nunca un agarre con la mano izquierda (con las manos cruzadas) o cualquier postura que podría colocar el cuerpo o un brazo de manera que se atraviese la línea de la cadena.

⚠ ADVERTENCIA: No accione el interruptor gatillo con la mano izquierda ni agarre la empuñadura delantera con la mano derecha. No deje nunca que ninguna parte del cuerpo esté en la línea de la cadena mientras esté utilizando una motosierra (Fig. 32).


⚠ ADVERTENCIA: El riesgo de retroceso aumenta si usted utiliza la motosierra con una mano. Si ocurre retroceso, la sierra puede ser lanzada hacia arriba en dirección hacia el operador. El operador puede perder el control de la sierra y resultar lesionado grave o mortalmente.

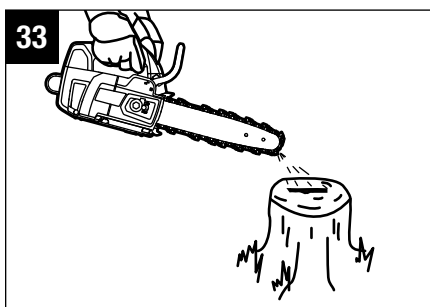
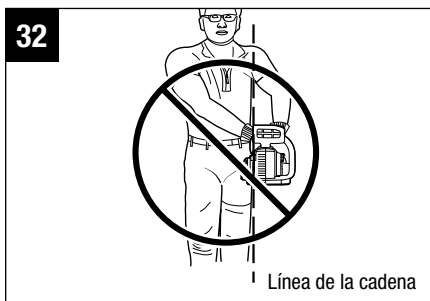
- a) No corte con el cuadrante superior de la nariz de la espada.
- b) No se soporte nunca sobre la rama que se esté cortando.
- c) No intente nunca agarrar ramas que se estén cayendo.

COMPROBACIÓN DE LA LUBRICACIÓN DE LA CADENA (Fig. 33)

AVISO: Asegúrese de que el tanque de aceite de la motosierra se haya llenado con un volumen adecuado de aceite para cadenas. Ensure the oil is the recommended translucent yellow, translucent red or colorless translucent.

Asegúrese de que el aceite sea el amarillo translúcido, rojo translúcido o incoloro translúcido recomendado.

- 1. Asegúrese de que la paleta del freno antirretroceso esté colocada en la posición .
- 2. Sostenga la espada encima de una superficie de color claro.



3. Encienda la sierra.

Verá una línea clara de aceite en la superficie de color claro después de 1 minuto, si la lubricación de la cadena está funcionando correctamente.

4. Si el aceite de la cadena sigue sin ser visible en la superficie de color claro, consulte la sección “AJUSTE DEL FLUJO DE ACEITE” para ajustar dicho flujo.

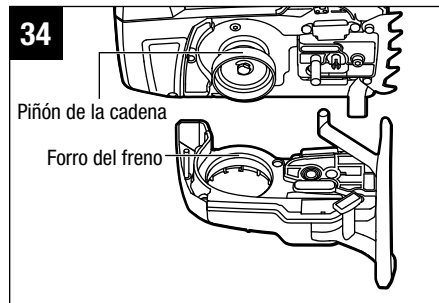
AVISO: Si es necesario, compruebe el canal de aceite de la espada y el surco ubicado en el borde de la espada. Asegúrese de que dicho canal y dicho surco estén limpios y sin ningún bloqueo. Límpielos si es necesario.

UTILIZACIÓN EN UN ÁRBOL

⚠ ADVERTENCIA: Cuando trabaje o trepe, se recomienda utilizar un soporte adicional, tal como un estribo de pie o un acollador ajustable para prevenir una oscilación o un accidente durante el corte.

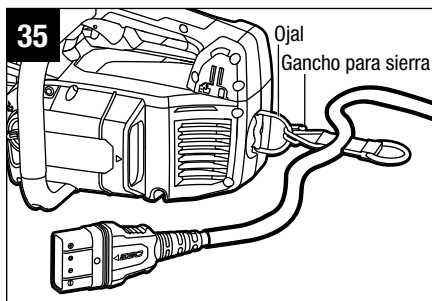
Antes de utilizar la motosierra, por favor, compruebe los siguientes puntos:

- Compruebe las marcas de desgaste en el piñón de la cadena. Si las marcas de desgaste tienen una profundidad de más de 0,5 mm: contacte a su distribuidor de servicio EGO para reemplazar el piñón de la cadena. Compruebe también el sistema del freno. Si las marcas de desgaste en el forro del freno son desiguales, contacte a su distribuidor de servicio EGO para reemplazar el forro del freno (Fig. 34).
- Compruebe la espada. Consulte la sección relacionada: **MANTENIMIENTO DE LA ESPADA**
- Compruebe la cadena de la sierra. Consulte la sección relacionada: **MANTENIMIENTO DE LA CADENA**
- Comprobación del freno de la cadena. Consulte la sección relacionada: **DISPOSITIVOS DE SEGURIDAD ANTIRRETROCESO DE ESTA MOTOSIERRA**
- Compruebe los controles. Consulte la sección relacionada: **ARRANQUE/PARADA DE LA MOTOSIERRA**
- Compruebe la lubricación de la cadena. Consulte la sección relacionada: **COMPROBACIÓN DE LA LUBRICACIÓN DE LA CADENA**



Fijación de la sierra a la funda de la batería

Acople el gancho para sierra del asentador de seguridad en el ojal (Fig. 35).



MANTENIMIENTO

⚠ ADVERTENCIA: Para evitar lesiones corporales graves, desconecte el enchufe de alimentación de la motosierra antes de inspeccionarla, limpiarla o realizar mantenimiento. Una herramienta alimentada por baterías con el enchufe de alimentación insertado está siempre encendida y puede arrancar accidentalmente.

⚠ ADVERTENCIA: Cuando haga servicio de ajustes y reparaciones, utilice únicamente piezas de repuesto idénticas. El uso de cualquier otra pieza podría crear un peligro o causar daños al producto.

⚠ ADVERTENCIA: Póngase siempre guantes gruesos cuando realice cualquier mantenimiento en la cadena de la sierra. Tenga cuidado con la cadena de la sierra y protéjase las manos para que no resulten lesionadas por la cadena de la sierra.

⚠ ADVERTENCIA: Cuando limpie la motosierra, NO la sumerja en agua ni otros líquidos.

⚠ ADVERTENCIA: No deje en ningún momento que líquidos de freno, gasolina, productos a base de petróleo, aceites penetrantes, etc., entren en contacto con las piezas de plástico. Las sustancias químicas pueden dañar, debilitar o destruir el plástico, lo cual es posible que cause lesiones corporales graves.

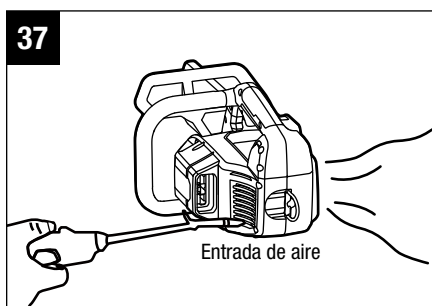
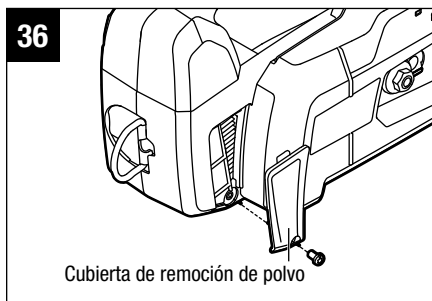
Todo el servicio de ajustes y reparaciones de la motosierra, que no sea de los artículos incluidos en este manual, deberá ser realizado por un técnico de servicio calificado.

LIMPIEZA

- Después de cada uso, elimine los residuos de la cadena y la espada con un cepillo blando. Limpie la superficie de la motosierra con un paño limpio humedecido con una solución de jabón suave.
- Para una mayor limpieza, quite la cubierta lateral, la espada y la cadena de la motosierra y, luego, use un cepillo suave para quitar por completo todos los desechos de la espada, la cadena de la motosierra y el piñón de transmisión del cabezal de potencia de la motosierra.
- Siempre limpie las astillas, el aserrín y la suciedad de la ranura de la espada al reemplazar la cadena de la motosierra.

ELIMINE EL POLVO

1. Desconecte el enchufe de alimentación, deje que la motosierra se enfríe y apriete la tapa del tanque de aceite.
2. Active el freno de la sierra.
3. Utilice la llave de combinación (suministrada) para aflojar el tornillo y luego abra la cubierta de remoción de polvo (Fig. 36).
4. Elimine el aserrín y las virutas que se hayan acumulado en la aleta de enfriamiento utilizando aire comprimido seco. Sople desde del lado opuesto [entrada de aire] (Fig. 37).



REEMPLAZO DE LA ESPADA Y LA CADENA

⚠ ADVERTENCIA: Nunca toque ni ajuste la cadena mientras el motor está en funcionamiento. La cadena es muy filosa; siempre use guantes protectores al realizar el mantenimiento de esta pieza.

AVISO: Al reemplazar la espada y la cadena, use siempre la combinación de espada y cadena especificada en la sección que figura más adelante, "Cadena y espada recomendadas para esta motosierra".

Consulte la sección relacionada: **ENSAMBLAJE Y DESENSAMBLAJE DE LA ESPADA Y LA CADENA**

Por favor, haga lo siguiente:

- a) Deje que la motosierra se enfríe. Apriete la tapa del tanque de aceite para prevenir las fugas de aceite.
- b) Este es un buen momento para inspeccionar el piñón de transmisión y el forro del freno con el fin de determinar si hay desgaste excesivo o daños.

MANTENIMIENTO DE LA CADENA

Use solo cadenas de bajo contragolpe para esta motosierra. Esta cadena de corte rápido brinda una reducción del contragolpe cuando se mantiene correctamente.

Una cadena bien afilada corta la madera sin esfuerzo, incluso con muy poca presión. Nunca use una cadena dañada o sin filo. Una cadena con cortantes desafilados aumenta el esfuerzo físico que debe hacer el usuario y la carga de vibración, produce resultados de corte insatisfactorios y aumenta el desgaste.

Para realizar cortes uniformes y rápidos, es necesario mantener correctamente la cadena. La cadena requiere afilado cuando las virutas de madera son pequeñas y pulverulentas, la cadena debe ser forzada a través de la madera durante el corte o la cadena corta hacia un lado. Durante el mantenimiento de la cadena, considere lo siguiente:

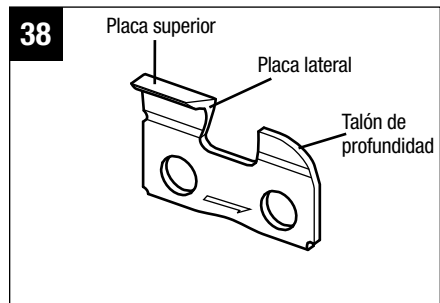
- Si el ángulo de afilado de la placa lateral es incorrecto, puede aumentar el riesgo de producirse un efecto rebote importante.
- Espacio libre del talón de profundidad. Si es demasiado bajo, aumenta la posibilidad de contragolpe. Si no es lo suficientemente bajo, disminuye la capacidad de corte.
- Si los eslabones cortantes han golpeado objetos duros, como clavos o piedras, o han sido corroídos por lodo o arena en la madera, haga afilar la cadena por un técnico de servicio calificado.

AVISO: Inspeccione el piñón de transmisión en busca de desgaste o daños al reemplazar la cadena. Si hay indicios de desgaste o daños en las áreas indicadas, solicite a un técnico de servicio calificado que reemplace el piñón de transmisión.

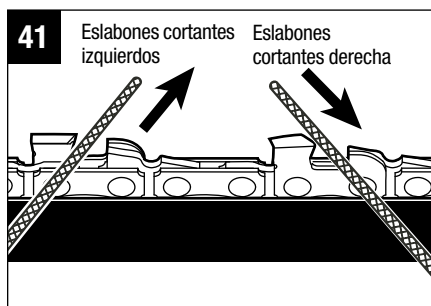
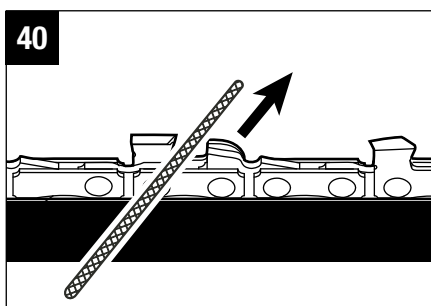
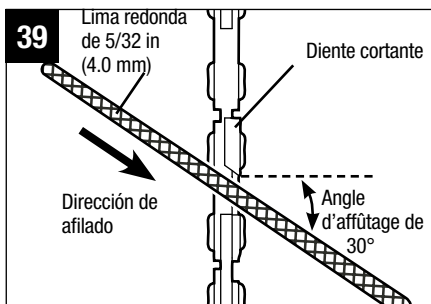
Cómo afilar los eslabones cortantes

Tenga la precaución de afilar todos los eslabones cortantes (fig. 38) en los ángulos especificados y a la misma longitud, dado que los cortes rápidos solo pueden lograrse cuando todos los eslabones cortantes son uniformes.

1. Desconecte el enchufe de alimentación. Póngase guantes para protegerse.



2. Asegúrese de que la cadena esté correctamente instalada y que la perilla de ajuste rápido de tensión de la cadena esté completamente apretada, lo cual garantiza que la cadena tenga la tensión correcta.
3. Use una lima redonda de 5/32 in (4.0 mm) de diámetro y un portalimas (se venden por separado). Realice todo el afilado en la posición media de la espada para lograr un equilibrio perfecto.
4. Mantenga la lima nivelada con la placa superior del diente. No deje que la lima se hunda o se sacuda.
5. Mantenga un ángulo de afilado correcto: 30° entre la lima y la cadena de la motosierra; vea las fig. 39 y 40. Use siempre un portalimas al afilar a mano cadenas de motosierra. Los portalimas tienen marcas para el ángulo de afilado.
6. Haciendo una presión leve pero firme, haga movimientos hacia la esquina frontal del diente. Aleje la lima levantándola del acero en cada movimiento de regreso.
7. Haga varios movimientos firmes en cada diente. Afile todos los eslabones cortantes izquierdos en una dirección. Luego pase al otro lado y afile los eslabones cortantes derechos en la dirección opuesta. Ocasionalmente, retire las virutas de la lima con un cepillo de alambre suave (fig. 41).



⚠ ADVERTENCIA: Si la cadena está desafilada o no está afilada correctamente, el motor puede alcanzar una velocidad demasiado alta durante el corte y dañarse gravemente.

⚠ ADVERTENCIA: Si el afilado de la cadena no es correcto, aumenta el potencial de efecto rebote.

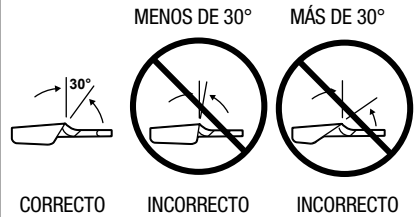
⚠ ADVERTENCIA: Si no reemplaza o repara la cadena en caso de que esté dañada, se pueden producir lesiones graves.

Ángulos de afilado de la placa superior (Fig. 42)

- **CORRECTO 30°:** Este ángulo óptimo se puede obtener solo cuando se utilicen las limas especificadas y la configuración adecuada. Los portalimas están marcados con marcas de guía para alinear la lima correctamente con el fin de producir el ángulo correcto de la placa superior.
- **MENOS DE 30°:** El diente está demasiado desafilado para cortar.
- **MÁS DE 30°:** El borde del diente de corte está biselado y se desafilá rápidamente.

42

Ángulos de afilado de la placa superior

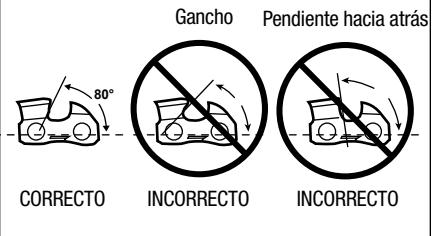


Ángulo de afilado de la placa lateral (Fig. 43)

- **CORRECTO 80°:** El ángulo óptimo se puede producir automáticamente si se utiliza una lima de diámetro correcto en el portalimas.
- **GANCHO:** Se “agarra” y desafilá rápidamente. Aumenta el potencial de RETROCESO. Se produce como resultado de utilizar una lima con un diámetro que es demasiado pequeño o una lima que se sostiene demasiado baja.
- **PENDIENTE HACIA ATRÁS:** Necesita demasiada presión de avance y causa un desgaste excesivo en la espada y la cadena. Ocurre como resultado de utilizar una lima con un diámetro demasiado grande o una lima que se sostiene demasiado alta.

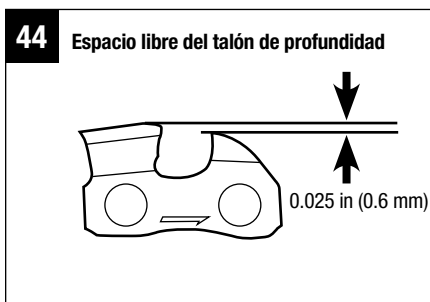
43

Ángulo de la placa lateral

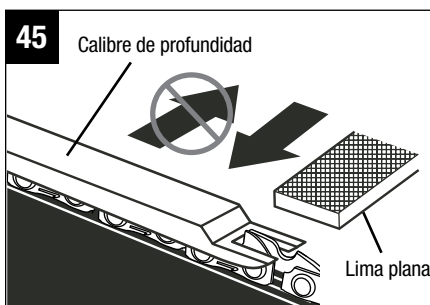


Espacio libre del talón de profundidad

1. El talón de profundidad debe mantenerse a un espacio libre de 0.025 in (0.6 mm), como se muestra en la Fig. 44. Use una herramienta de calibre de profundidad (se vende por separado) para verificar el espacio libre de los talones de profundidad.



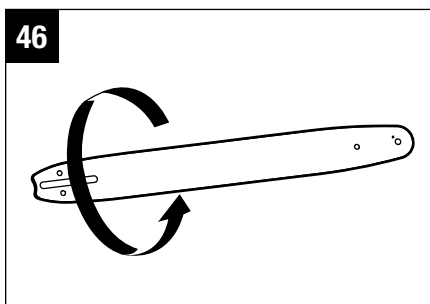
2. Cada vez que se afile la cadena, mida el espacio libre de los talones de profundidad. Use una lima plana y un calibre de profundidad (se venden por separado) para bajar todos los talones de manera uniforme (Fig. 45). Los calibres de profundidad están disponibles de 0.020 in a 0.035 in (de 0.5 mm a 0.9 mm). Use un calibre de profundidad de 0.025 in. (0.6 mm).



3. Los talones de profundidad deben ajustarse con la lima plana en la misma dirección en que se limó el eslabón cortante adyacente con la lima redonda. Tenga cuidado de no tocar la superficie del eslabón cortante con la lima plana cuando ajuste los talones de profundidad.

MANTENIMIENTO DE LA ESPADA

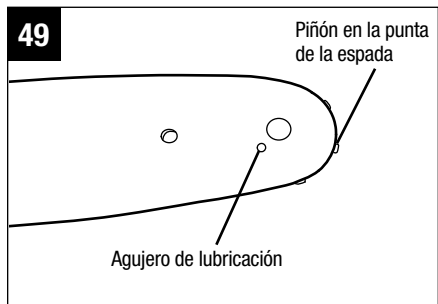
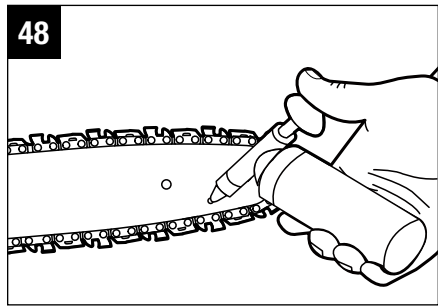
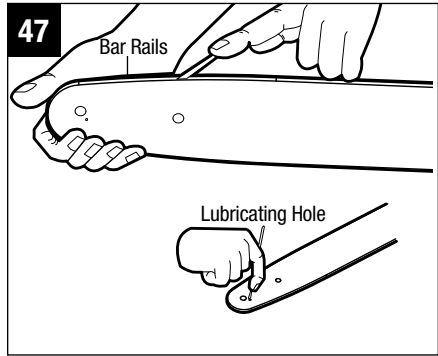
Cuando la espada muestre indicios de desgaste, desármela del cabezal de potencia de la motosierra y voltéela para volver a instalarla (Fig. 39) y así distribuir el desgaste y lograr una máxima vida útil de la espada.



La espada debe limpiarse (incluidos los rieles de la espada, el orificio para grasa y el orificio para aceite) todos los días que se use y debe verificarse que no presente desgaste ni daños (Fig. 40). Las deformaciones o rebabas en los rieles de la espada son una consecuencia normal del desgaste de la espada. Estos defectos deben suavizarse con una lima en cuanto ocurran. Si la espada tiene alguno de los siguientes defectos, debe reemplazarse. Consulte la sección “**REEMPLAZO DE LA ESPADA Y LA CADENA**” de este manual.

- Desgaste dentro de los rieles de la espada que permite que la cadena se apoye de costado.
- Dobleces en la espada.
- Rieles agrietados o rotos.
- Rieles muy abiertos.

La espada tiene un piñón de transmisión en la punta que debe ser lubricado semanalmente con una jeringa de grasa para prolongar la vida útil de la espada (Fig. 48 y 49). Gire el piñón de la nariz mientras bombea grasa **amarilla translúcida, roja translúcida o incolora translúcida** en el agujero de lubricación hasta que todo el piñón tenga grasa nueva. No empuje suciedad hacia el interior del agujero.



TRANSPORTE Y ALMACENAMIENTO

- No almacene ni transporte la motosierra cuando esté en funcionamiento. Desconecte siempre el enchufe de alimentación antes de almacenar o transportar la motosierra.
- Coloque siempre la funda de la espada sobre la espada y la cadena antes de almacenar o transportar la motosierra. Tenga precaución para evitar los dientes afilados de la cadena.
- Limpie minuciosamente la motosierra antes de almacenarla. Almacene la motosierra en un lugar interior seco que esté cerrado con llave y/o sea inaccesible para los niños.
- Mantenga el producto alejado de los agentes corrosivos, tales como productos químicos de jardín y sales anticongelantes.

RESOLUCIÓN DE PROBLEMAS

PROBLEMA	CAUSA	SOLUCIÓN
El motor no arranca.	<ul style="list-style-type: none"> ■ El enchufe de alimentación de la funda de la batería no está conectado a la motosierra. ■ No hay contacto eléctrico entre la funda de la batería y la batería. ■ El interruptor de “ENCENDIDO y APAGADO” está posicionado en APAGADO. ■ El freno de la cadena está activado. ■ Otra. 	<ul style="list-style-type: none"> ■ Inserte el enchufe de alimentación de la funda de la batería en la motosierra. ■ Retire la batería, compruebe los contactos y reinstale el paquete de batería. ■ Ponga el interruptor de “ENCENDIDO y APAGADO” en la posición de ENCENDIDO. ■ Jale la paleta del freno antirretroceso hacia atrás, hacia la empuñadura delantera, hasta llegar a la posición de utilización. ■ Contacte a Servicio al Cliente de EGO para realizar la reparación.
La motosierra deja de funcionar durante su utilización.	<ul style="list-style-type: none"> ■ El paquete de batería o la motosierra está demasiado caliente. ■ La motosierra está sobrecargada. ■ El canal de ventilación está bloqueado con virutas de madera y polvo. ■ El paquete de batería está agotado. ■ Otra. 	<ul style="list-style-type: none"> ■ Enfríe el paquete de batería o la motosierra. ■ Reduzca la carga. ■ Limpie el canal de ventilación. Consulte la sección “ELIMINE EL POLVO”. ■ Cargue el paquete de batería ■ Contacte a Servicio al Cliente de EGO para realizar la reparación.

PROBLEMA	CAUSA	SOLUCIÓN
El freno de la cadena no se activa.	<ul style="list-style-type: none"> ■ Los residuos impiden el movimiento completo del mango del freno antirretroceso de la cadena. ■ Posible malfuncionamiento del freno de la cadena. 	<ul style="list-style-type: none"> ■ Limpiar la suciedad de la cadena externa mecanismo de freno. ■ Contacte a Servicio al Cliente de EGO para realizar la reparación.
No hay lubricación con aceite cuando se está cortando.	<ul style="list-style-type: none"> ■ Solidificación del aceite a baja temperatura. ■ La salida de aceite de la espada está bloqueada ■ El tanque de aceite está vacío. ■ Otra. 	<ul style="list-style-type: none"> ■ Cambie al aceite lubricante apropiado (adecuado para baja temperatura). ■ Elimine el polvo de la salida de aceite. ■ Llene el tanque de aceite con lubricante para espadas y cadenas. ■ Contacte a Servicio al Cliente de EGO para realizar la reparación.
El indicador de “aceite bajo” parpadea en color rojo o muestra una luz anormal mientras se está llenado el tanque de aceite.	<ul style="list-style-type: none"> ■ La utilización de la motosierra formando un ángulo específico está impidiendo que el aceite contenido en el tanque de aceite entre al tubo de aceite. ■ Se está utilizando un lubricante que no es el aceite amarillo translúcido, rojo translúcido o incoloro translúcido recomendado. ■ Otra. 	<ul style="list-style-type: none"> ■ Ponga la motosierra en posición plana e inténtelo de nuevo. ■ No utilice aceite negro. Cambie a un aceite recomendado. ■ Contacte a Servicio al Cliente de EGO para realizar la reparación.

PROBLEMA	CAUSA	SOLUCIÓN
El indicador de “aceite bajo” deja de funcionar cuando el tanque de aceite está casi vacío.	<ul style="list-style-type: none">■ La categoría y el color del aceite no se pueden identificar.■ Sigue habiendo una pequeña cantidad de aceite en el tanque de aceite o en el tubo de aceite.■ Otra.	<ul style="list-style-type: none">■ Utilice el aceite amarillo translúcido, rojo translúcido o incoloro translúcido recomendado.■ Utilice la motosierra durante un tiempo y luego observe de nuevo el indicador de aceite bajo.■ Contacte a Servicio al Cliente de EGO para realizar la reparación.

GARANTÍA

POLÍTICA DE GARANTÍA

Garantía limitada de 5 años en equipos de energía para exteriores y energía portátil EGO POWER+ para uso doméstico personal.

Garantía limitada de 3 años en paquetes de batería y cargadores del Sistema EGO POWER+ para uso personal doméstico. Se aplica una garantía extendida adicional de 2 años para la batería de 10,0 Ah, tanto si se vende por separado (núm. de modelo BA5600T) como si se incluye con cualquier herramienta, si se registra dentro del plazo de 90 días después de su compra. Garantía limitada de 5 años en el cargador CHV1600, diseñado para utilizarse con la cortadora de césped con asiento con radio de giro cero para uso personal doméstico.

Garantía limitada de 2 años/1 año en equipos de energía para exteriores, energía portátil, paquetes de baterías y cargadores EGO para uso profesional y comercial.

Los períodos de garantía detallados por productos se pueden encontrar en línea en <http://egopowerplus.com/warranty-policy>.

Póngase en contacto con Servicio al Cliente de EGO de manera gratuita al 1-855-EGO-5656, cuando tenga preguntas o reclamaciones de garantía.

GARANTÍA LIMITADA DE SERVICIO

Los productos EGO están garantizados contra defectos de material o de fabricación a partir de la fecha de compra original al por menor durante el período de garantía aplicable. El producto defectuoso será reparado gratuitamente.

- a) Esta garantía se aplica solo al comprador original del distribuidor minorista autorizado de EGO y podría no ser transferible. Los distribuidores minoristas autorizados de EGO se identifican en línea, en <http://egopowerplus.com/warranty-policy>.
- b) El período de garantía para productos reacondicionados o certificados de fábrica que se utilizan para fines residenciales es de 1 año, para fines industriales, profesionales o comerciales es de 90 días.

- c) El período de garantía para las piezas de mantenimiento de rutina, tales como, pero sin limitarse a, asiento de cortadora de césped con asiento, ruedas, llantas, ruedas anticorte al ras, disco de freno, bloque de fricción, cuchillas, cabezales de orilladora, espadas de cadena, cadenas de sierra, correas, barras rascadoras, paletas de caucho, barrenas, zapatas antideslizantes, boquillas de soplador y todos los demás accesorios EGO, es de 90 días para fines residenciales y 30 días para fines industriales, profesionales o comerciales. Estas piezas están cubiertas durante 90/30 días contra defectos de fabricación en condiciones de trabajo normales.
- d) Esta garantía queda nula si el producto se ha puesto en alquiler.
- e) Esta garantía no cubre daños producto de modificaciones, alteraciones o reparaciones no autorizadas.
- f) Esta garantía solo cubre defectos que surjan del uso normal y no cubre el mal funcionamiento, las fallas ni los defectos que resulten del mal uso, el abuso (que incluye la sobrecarga del producto más allá de su capacidad y sumergirlo en agua o en cualquier otro líquido), accidentes, negligencia o falta de instalación adecuada y mantenimiento o almacenamiento inadecuados.
- g) Esta garantía no cubre el deterioro normal del acabado exterior, incluidos, entre otros, rayones, abolladuras, trozos de pintura o cualquier corrosión o decoloración producida por el calor o limpiadores químicos y abrasivos.

CÓMO OBTENER EL SERVICIO

Para obtener el servicio de garantía, póngase en contacto con Servicio al Cliente de EGO de manera gratuita al **1-855-EGO-5656**. Cuando pida un servicio cubierto por la garantía, debe presentar el recibo con la fecha original de venta. Un centro de servicio autorizado será seleccionado para reparar el producto de acuerdo con los términos establecidos en la garantía. Cuando lleve el producto al centro de servicio autorizado, es posible que deba hacer un pequeño depósito cuando deje la herramienta. Este depósito se reembolsará cuando se considere que el servicio de reparación se haya cubierto con la garantía.

LIMITACIONES ADICIONALES

En la medida en que la ley aplicable lo permita, se deniegan todas las garantías implícitas, inclusive las garantías de COMERCIALIZADIDAD o IDONEIDAD PARA UN PROPÓSITO ESPECÍFICO. Todas las garantías implícitas, inclusive las garantías de comerciabilidad o idoneidad para un propósito específico, que no se puedan denegar bajo la ley estatal, están limitadas al período de garantía aplicable definido al comienzo de este artículo.

Chervon North America no se hará responsable por daños directos, indirectos, accidentales o resultantes.

Algunos estados no permiten limitaciones con respecto a la duración de una garantía implícita y/o no permiten la exclusión o limitación de daños accidentales o resultantes, de modo que las limitaciones antes descritas podrían no aplicarse en su caso.

Esta garantía le otorga derechos legales específicos, pero podría tener también otros derechos que varían según el estado.

Para obtener el servicio al cliente, póngase en contacto con nosotros de manera gratuita al: **1-855-EGO-5656** o visite: **EGOPOWERPLUS.COM**

EGO Customer Service, 769 SEWARD AVE NW / Suite 102 Grand Rapids, MI 49504