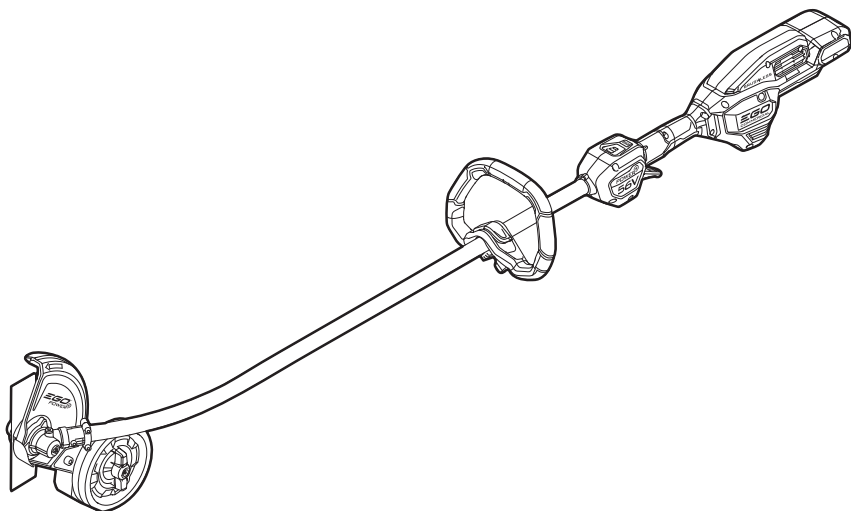


EGO™

COMMERCIAL



OPERATOR'S MANUAL

56V LITHIUM-ION COMMERCIAL 8" CURVED SHAFT EDGER

MODEL NUMBER EDX2000-C/EDX2000-C-FC

Français p. 33

Español p. 69

⚠ WARNING: To reduce the risk of injury, the user must read and understand the Operator's Manual before using this product. Save these instructions for future reference.



TABLE OF CONTENTS

FCC Statement	4
Safety Symbols	5
Safety Instructions	6-10
Introduction	11
Specifications	11
Description	12-14
Assembly	15-16
Operation	17-23
Maintenance	24-28
Troubleshooting	29
Warranty	30-31

READ ALL INSTRUCTIONS!



READ & UNDERSTAND
OPERATOR'S MANUAL

⚠ WARNING: Some dust created by power sanding, sawing, grinding, drilling and other construction activities contains chemicals known to the state of California to cause cancer, birth defects or other reproductive harm. Some examples of these chemicals are:

- Lead from lead-based paints
- Crystalline silica from bricks and cement and other masonry products, and
- Arsenic and chromium from chemically-treated lumber.

Your risk from these exposures varies, depending on how often you do this type of work. To reduce your exposure to these chemicals: work in a well ventilated area, and work with approved safety equipment, such as those dust masks that are specially designed to filter out microscopic particles.

FCC STATEMENT

1. This device complies with Part 15 of the FCC Rules. Operation is subject to the following two conditions:
 - 1) This device may not cause harmful interference.
 - 2) This device must accept any interference received, including interference that may cause undesired operation.
2. Changes or modifications not expressly approved by the party responsible for compliance could void the user's authority to operate the equipment.

NOTICE: This equipment has been tested and found to comply with the limits for a Class B digital device, pursuant to Part 15 of the FCC Rules. These limits are designed to provide reasonable protection against harmful interference in a residential installation. This equipment generates, uses, and can radiate radio frequency energy and, if not installed and used in accordance with the instructions, may cause harmful interference to radio communications. However, there is no guarantee that interference will not occur in a particular installation. If this equipment does cause harmful interference to radio or television reception, which can be determined by turning the equipment off and on, the user is encouraged to try to correct the interference by one or more of the following measures: Reorient or relocate the receiving antenna. Increase the separation between the equipment and receiver. Connect the equipment into an outlet on a circuit different from that to which the receiver is connected. Consult the dealer or an experienced radio/TV technician for help.

SAFETY SYMBOLS

The purpose of safety symbols is to attract your attention to possible dangers. The safety symbols and the explanations with them deserve your careful attention and understanding. The symbol warnings do not, by themselves, eliminate any danger. The instructions and warnings they give are no substitutes for proper accident prevention measures.

⚠ WARNING: Be sure to read and understand all safety instructions in this Operator's Manual, including all safety alert symbols such as **"DANGER," "WARNING,"** and **"CAUTION"** before using this machine. Failure to following all instructions listed below may result in electric shock, fire, and/or serious personal injury.

SYMBOL MEANING

⚠ SAFETY ALERT SYMBOL: Indicates **DANGER, WARNING, or CAUTION.** May be used in conjunction with other symbols or pictographs.



⚠ WARNING! The operation of any machines can result in foreign objects being thrown into your eyes, which can result in severe eye damage. Before beginning machine operation, always wear safety goggles or safety glasses with side shields and a full face shield when needed. We recommend a Wide Vision Safety Mask for use over eyeglasses or standard safety glasses with side shields. Always use eye protection which is marked to comply with ANSI Z87.1.

SAFETY INSTRUCTIONS

This page depicts and describes safety symbols that may appear on this product. Read, understand, and follow all instructions on the machine before attempting to assemble and operate it.

	Safety Alert	Indicates a potential personal injury hazard.
	Read & Understand Operator's Manual	To reduce the risk of injury, user must read and understand operator's manual before using this product.
	Eye Protection	Always wear safety goggles or safety glasses with side shields and a full face shield when operating this product.
	Bluetooth®	Bluetooth® Symbol
	Recycle Symbols	This product uses lithium-ion (Li-ion) batteries. Local, state, or federal laws may prohibit disposal of batteries in ordinary trash. Consult your local waste authority for information regarding available recycling and/or disposal options.
IPXX	Ingress Protection (IP) Rating	Classifies the degree of protection provided by an enclosure, for electrical equipment.
V	Volt	Voltage
mm	Millimeter	Length or size
cm	Centimeter	Length or size
in.	Inch	Length or size
kg	Kilogram	Weight
lb	Pound	Weight
	Direct Current	Type or a characteristic of current
°C	Degrees Celsius	Temperature
°F	Degrees Fahrenheit	Temperature

IMPORTANT SAFETY INSTRUCTIONS

⚠ WARNING! When using electric gardening machine, basic safety precautions should always be followed to reduce the risk of fire, electric shock, and personal injury, including the following:

READ ALL INSTRUCTIONS BEFORE USING THIS PRODUCT!

⚠ DANGER! Do not rely on the machine's insulation against electric shock. To reduce the risk of electrocution, never operate the machine in the vicinity of any wires or cables which may carry electric current.

⚠ CAUTION! Wear appropriate personal hearing protection during use. Under some conditions and durations of use, noise from this product may contribute to hearing loss.

- **Avoid Dangerous Environment** – Don't use appliances in damp or wet locations.
- **Keep Children Away** - All visitors should be kept at a distance away from work area.
- **Dress Properly** - Do not wear loose clothing or jewelry. They can be caught in moving parts. Use of rubber gloves and substantial footwear is recommended when working outdoors. Wear protective hair covering to contain long hair.
- **Use Safety Glasses** - Always use face or dust mask if operation is dusty.
- **Use Right Appliance** - Do not use appliance for any job except that for which it is intended.
- **Don't Force Appliance** - It will do the job better and with less likelihood of a risk of injury at the rate for which it was designed.
- **Don't Overreach** - Keep proper footing and balance at all times.
- **Stay Alert** - Watch what you are doing. Use common sense. Do not operate the edger when you are tired.
- **Do not operate the edger while under the influence of alcohol or drugs.**
- **Keep guards in place and in working order.**
- **Keep blades sharp.** Replace dull or worn blade; do not attempt to sharpen.
- **Keep hands and feet away from the cutting area.**
- **Never stand or have any part of your body in line with the path of the edger blade.**
- **Don't use in rain.**

- **Store Idle Appliances Indoors** - When not in use, appliances should be stored indoors in a dry and high or locked-up place with the battery pack removed and out of reach of children.
- **Maintain Appliance with Care** - Keep cutting edge sharp and clean for best performance and to reduce the risk of injury. Follow instructions for lubricating and changing accessories. Keep handles dry, clean, and free from oil and grease.
- **Check Damaged Parts** - Before further use of the product, a guard or other part that is damaged should be carefully checked to determine that it will operate properly and perform its intended function. Check for alignment of moving parts, binding of moving parts, breakage of parts, mounting, and any other condition that may affect its operation. A guard or other part that is damaged should be properly repaired or replaced by an authorized service center unless indicated elsewhere in this manual.
- **Clear the area to be cut before each use.** Remove all objects such as rocks, broken glass, nails, wire, or string that can be thrown or become entangled in the cutting attachment.
- **Always hold the edger firmly, with both hands on the handles, while operating. Wrap your fingers and thumbs around the handles.**
- **Avoid Accidentally Starting** - Don't carry the edger with your finger on the trigger.
- **Do not operate the edger in gaseous or explosive atmospheres.** Motors in these appliances normally spark, and the sparks might ignite fumes.
- **Do not use the edger on or near graveled surfaces.**
- **Damage to Edger** - If you strike a foreign object with the edger, stop the machine immediately, check for damage and have any damage repaired before further operation is attempted. Do not operate with a broken guard or blade.
- **Replace a cracked, damaged or worn-out blade immediately, even if damage is limited to superficial cracks.** Such attachments may shatter at high speed and cause serious or fatal injury.
- **Do not charge the battery pack in rain, or in wet locations.**
- **Use only with the battery packs and chargers listed below:**

BATTERY PACK	CHARGER
BA1400, BA1400-FC, BA2800, BA2800-FC, BA4200, BA4200-FC, BA1400T, BA1400T-FC, BA2242T, BA2242T-FC, BA2800T, BA2800T-FC, BA3360T, BA3360T-FC, BA4200T, BA4200T-FC, BA5600T, BA5600T-FC, BA6720T, BA6720T-FC	CH2100, CH2100-FC, CH3200, CH3200-FC, CH5500, CH5500-FC, CH2800D, CH2800D-FC CH7000, CH7000-FC

- **Do not dispose of the battery in a fire.** The cells may explode. Check with local codes for possible special disposal instructions.
- **Do not open or mutilate the battery.** Released electrolyte is corrosive and may cause damage to the eyes or skin. It may be toxic if swallowed.
- **Exercise care in handling batteries in order not to short the battery with conducting materials such as rings, bracelets, and keys.** The battery or conductor may overheat and cause burns.
- **Do not use blade, guard, front-assist handle or any other attachments or accessories not recommended by the manufacturer of this product.** The use of attachments or accessories not recommended can result in serious personal injury.
- **Battery machines do not have to be plugged into an electrical outlet; therefore, they are always in operating condition.** Be aware of possible hazards even when the machine is not operating. Take care when performing maintenance or service.
- **Remove or disconnect the battery pack before servicing, cleaning or removing material from the product.**
- **Do not wash with a hose; avoid getting water in motor and electrical connections.**
- **Do not incinerate the appliance even if it is severely damaged. The batteries can explode in a fire.**
- **Prevent unintentional starting.** Ensure the switch is in the off-position before connecting to battery pack, picking up or carrying the appliance. Carrying the appliance with your finger on the switch or energizing appliance that has the switch on invites accidents.

- **Disconnect the battery pack from the appliance before making any adjustments, changing accessories, or storing appliance.** Such preventive safety measures reduce the risk of starting the appliance accidentally.
- **When battery pack is not in use, keep it away from other metal objects, like paper clips, coins, keys, nails, screws or other small metal objects, that can make a connection from one terminal to another.** Shorting the battery terminals together may cause burns or a fire.
- **Under abusive conditions, liquid may be ejected from the battery; avoid contact.** If contact accidentally occurs, flush with water. If liquid contacts eyes, additionally seek medical help. Liquid ejected from the battery may cause irritation or burns.
- **Do not use a battery pack or appliance that is damaged or modified.** Damaged or modified batteries may exhibit unpredictable behavior resulting in fire, explosion or risk of injury.
- **Do not expose a battery pack or appliance to fire or excessive temperature.** Exposure to fire or temperature above 265°F (130°C) may cause explosion.
- **Follow all charging instructions and do not charge the battery pack or appliance outside of the temperature range specified in the instructions.** Charging improperly or at temperatures outside of the specified range may damage the battery and increase the risk of fire.
- **Have servicing performed by a qualified repair person using only identical replacement parts.** This will ensure that the safety of the product is maintained.
- **Do not modify or attempt to repair the appliance or the battery pack except as indicated in the instructions for use and care.**
- **If situations occur that are not covered in this manual, use care and good judgment. Contact the EGO Customer Service Center for assistance.**
- **Save these instructions.** Refer to them frequently and use them to instruct others who may use this machine. If you lend this machine to someone else, also lend these instructions to them to prevent misuse of the product and possible injury.

SAVE THESE INSTRUCTIONS!

INTRODUCTION


Congratulations on your selection of the EGO COMMERCIAL 56V Lithium-ion Edger. It has been designed, engineered and manufactured to give you the best possible dependability and performance.

Should you experience any problem you cannot easily remedy, please contact EGO customer service center 1-855-EGO-5656.

This manual contains important information on the safe assembly, operation and maintenance of your product. Read it carefully before using the product. Keep this manual handy so you can refer to it at any time.

SERIAL NUMBER _____ DATE OF PURCHASE _____
YOU SHOULD RECORD BOTH SERIAL NUMBER AND DATE OF PURCHASE AND KEEP THEM IN A SAFE PLACE FOR FUTURE REFERENCE

SPECIFICATIONS

Voltage	56V 
Blade length	8" (203 mm)
Edging depth	Up to 3" (76 mm)
Ingress Protection Rating	IPX5 * (Protected against water jets)
Recommended Operating Temperature	32°F – 104°F (0°C – 40°C)
Recommended Storage Temperature	-4°F – 158°F (-20°C – 70°C)
Weight (without battery pack)	10.4 lb. (4.7 kg)

* **NOTE:** IPX5 rating is based on the machine and battery being used together as a system.

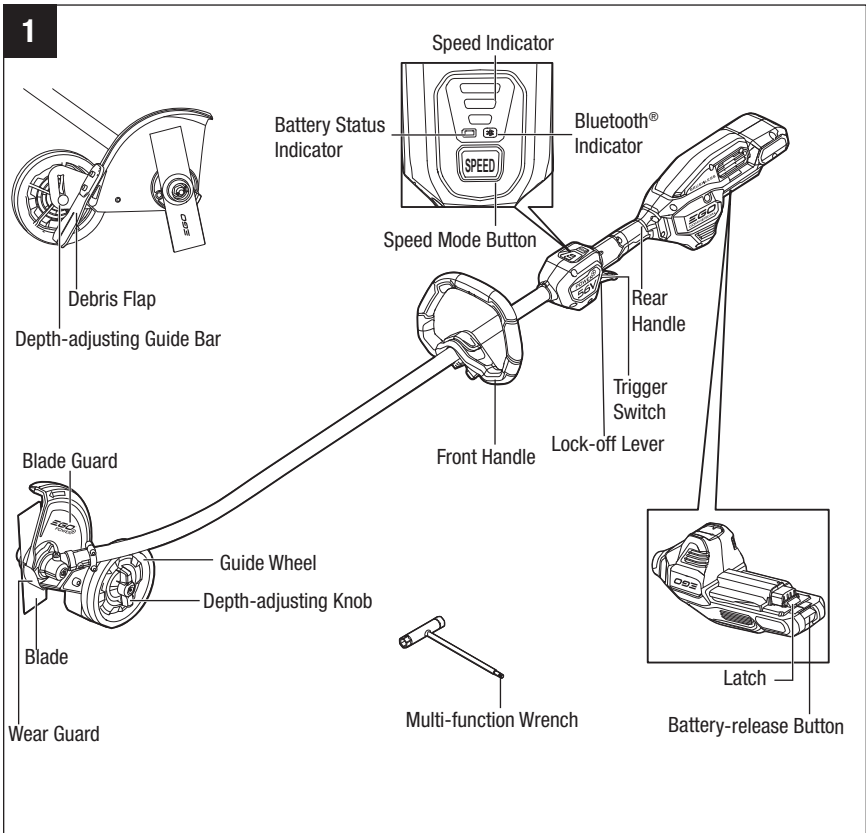
Recommended Accessory

PART NAME	MODEL NUMBER
Edger Blade	AEB0800

DESCRIPTION

KNOW YOUR EDGER (Fig. 1)

The safe use of this product requires an understanding of the information on the machine and in this operator's manual, as well as knowledge of the project you are attempting. Before using this product, familiarize yourself with all operating features and safety rules.



FRONT HANDLE

Probably should be deleted for ease of operation and to help prevent loss of control.

REAR HANDLE

Ergonomic handle with overmold improves comfort and grip.

LOCK-OFF LEVER

Helps to prevent accidental activation of the trigger. It must be moved forward before the trigger can be activated.

TRIGGER SWITCH

To turn the machine On and Off and control speed.

SPEED MODE BUTTON

Switches between high, medium, and low speed modes for different tasks at hand.

BATTERY-RELEASE BUTTON

Releases the battery pack from the machine.

LATCH

Locks the battery pack when installing it on the machine.

BLADE

This steel blade cuts weeds and soft, green plants.

BLADE GUARD

Reduces the risk of injury from thrown objects and contact with the blade.

WEAR GUARD

Protects the gear case from wear.

DEBRIS FLAP

Reduces the risk of injury from thrown objects towards the operator.

DEPTH-ADJUSTING KNOB & DEPTH-ADJUSTING GUIDE BAR

Adjusts the depth of cut.

GUIDE WHEEL

Rolls on ground and keeps the edger blade at the preset height for required depth of cut.

BATTERY STATUS INDICATOR

Indicates the charge level of the battery pack and the working status of the battery.

BLUETOOTH® INDICATOR

Indicates the Bluetooth® connection status.

NOTE: The Bluetooth® word mark and logos are registered trademarks owned by Bluetooth SIG, inc. and any use of such marks by EGO is under license.

ASSEMBLY

⚠ WARNING: If any parts are damaged or missing, do not operate this product until the parts are replaced. Use of this product with damaged or missing parts could result in serious personal injury.

⚠ WARNING: Do not attempt to modify this product or create accessories not recommended for use with this edger. Any such alteration or modification is misuse and could result in a hazardous condition leading to possibly serious personal injury.

⚠ WARNING: Do not adjust the blade guard. The blade guard has been set at the factory so that the arrow on the blade guard and the open side point away from the operator. This ensures that cuttings and other debris are directed away from the machine and the operator.

UNPACKING

This product requires assembly.

- Carefully remove the product and any accessories from the box.
- Inspect the machine carefully to make sure that no breakage or damage occurred during shipping.
- Do not discard the packing material until you have carefully inspected and satisfactorily operated the machine.
- If any parts are damaged or missing, please return the product to the place of purchase.

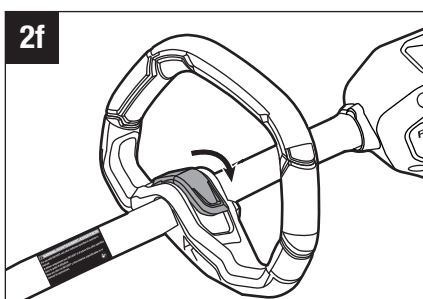
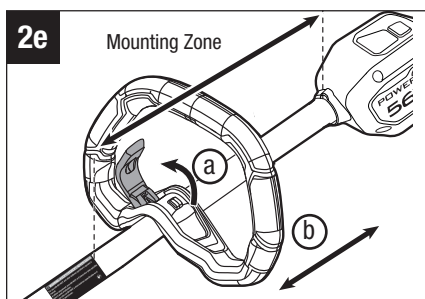
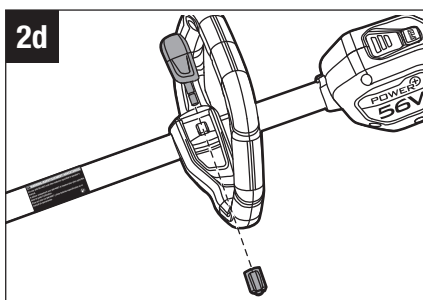
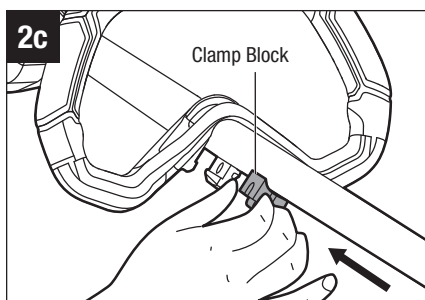
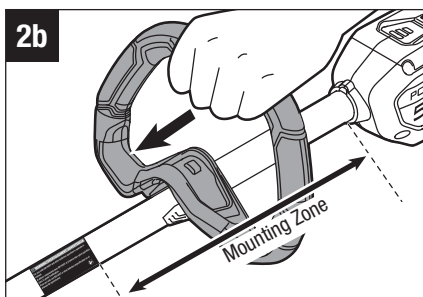
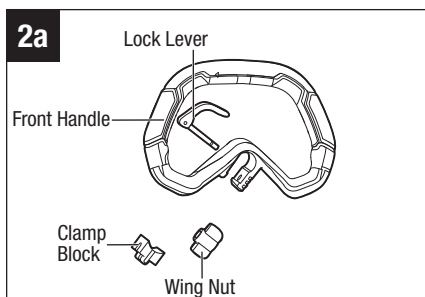
PACKING LIST

PART NAME	QUANTITY
Edger	1
Front handle	1
Multi-function wrench	1
Operator's manual	1

MOUNTING AND ADJUSTING THE FRONT HANDLE

1. Stop the motor and remove the battery pack.
2. Loosen the wing nut and remove it with the lock lever and clamp block from the front handle (Fig. 2a).

3. Position the slant of the handle upward towards the rear handle. Push the handle onto the shaft within the mounting zone as shown in Fig. 2b.
4. Insert the clamp block into the handle slot (Fig. 2c), mount the lock lever and tighten the wing nut. (Fig. 2d).
5. Pull the lock lever up to move/rotate the handle to a comfortable operating position within the mounting zone, as shown in Fig. 2e.
6. Fold the lock lever to secure the handle in place (Fig. 2f).



OPERATION

⚠ WARNING: Do not allow familiarity with this product to make you careless. Remember that a careless fraction of a second is sufficient to inflict serious injury.

⚠ WARNING: Always wear eye protection marked that it complies with ANSI Z87.1; also wear hearing protection. Failure to do so could result in objects being thrown into your eyes and other possible serious injuries.

⚠ WARNING: To prevent serious personal injury, remove the battery pack from the machine before servicing, cleaning, changing attachments, or removing material from the unit.

APPLICATIONS

You may use this product for the purpose listed below:

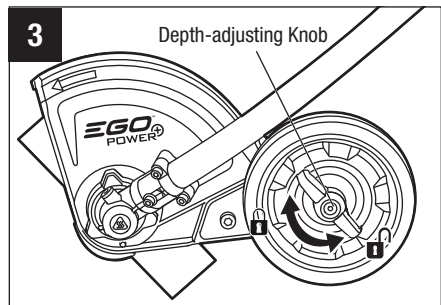
- Edging around walkways, curbs, flower beds, and other similar areas.

Before each use check for damaged/worn parts

Check the blade, guard and front handle and replace any parts that are cracked, warped, bent, or damaged in any way.

ADJUSTING DEPTH OF CUT

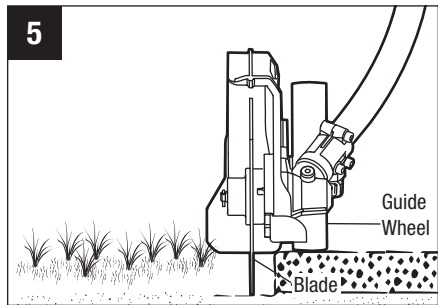
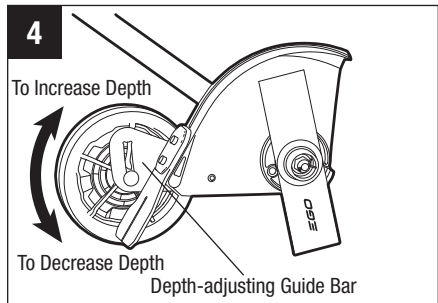
1. Stop the motor and remove the battery pack.
2. Loosen the depth-adjusting knob COUNTERCLOCKWISE (Fig. 3).



3. Move the guide wheel, along the depth-adjusting guide bar, up to increase the depth of cut or down to decrease the depth (Fig. 4).

The correct depth of cut depends on the unevenness of the ground, your height, and the way you hold the edger. Follow these steps:

4. Adjust the guide wheel so that the blade just touches the ground or breaks the surface of the soil (Fig. 5).
5. Tighten the depth-adjusting knob CLOCKWISE securely.
6. Standing in the normal working position, check the depth of cut again and correct it if necessary.

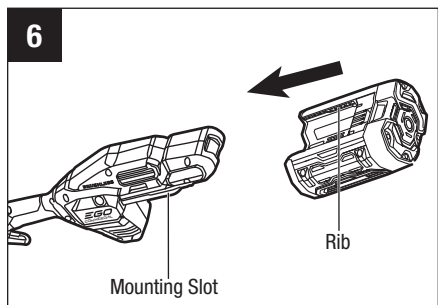


ATTACHING/DETACHING BATTERY

NOTE: Fully charge battery pack before first use.

To Attach (Fig. 6)

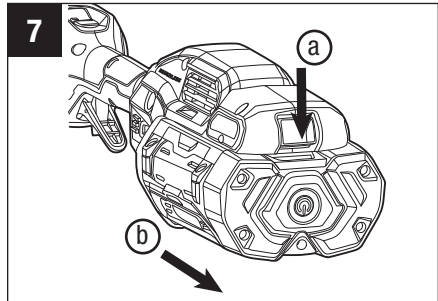
Align the battery ribs with the mounting slots in the machine's battery port and slide the battery pack until it snaps into position.



To Detach (Fig. 7)

⚠ WARNING: Always be aware of the location of your feet, children, or pets when pressing the battery-release button. Serious injury could result if the battery pack falls. NEVER remove the battery pack at a high location.

- Depress the battery-release button and the battery pack will disengage from the latch.
- Grasp the battery pack and remove it from the machine.



HOLDING THE EDGER

⚠ WARNING: Dress properly to reduce the risk of injury when operating this machine. Do not wear loose clothing or jewelry. Wear eye and hearing protection. Wear heavy, long pants, boots and gloves. Do not wear short pants or sandals or go barefoot. Wear a face mask or dust mask in dusty locations.

⚠ WARNING: Clear away all obstacles and solid objects from the work area.

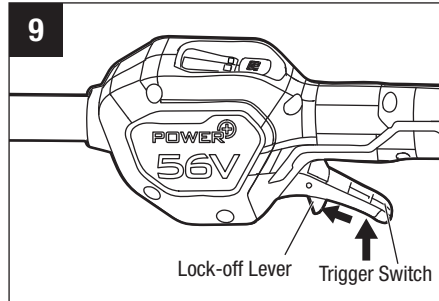
Hold the edger with your right hand on the rear handle and your left hand on the front handle. Keep a firm grip with both hands while operating the machine. The edger should be held at a comfortable position with the rear handle at about hip height (Fig. 8).



STARTING/STOPPING THE EDGER

To start (Fig. 9)

1. Move the lock-off lever forward and then press the trigger switch to start.
2. The rotational speed of the blade is controlled with the trigger switch. The further the trigger switch is depressed, the faster the blade speed is. Adjust the speed to suit the task at hand.



NOTICE: The motor starts only when the lock-off lever is moved forward and the trigger switch is depressed at the same time.

To stop

Move the machine away from the spot being edged and release the trigger switch to stop it.

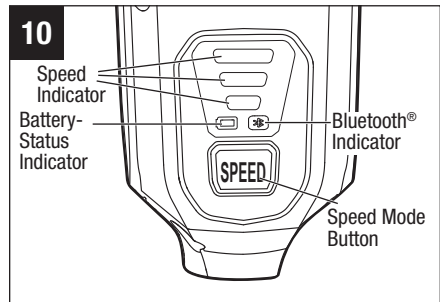
⚠ WARNING: Always remove the battery pack from the machine during work breaks and after finishing work.

CHANGING SPEED MODE (FIG. 10)

This machine features three speed modes.

Each time the speed mode button is pressed, the speed mode changes.










The speed indicator displays the active speed mode: One light for low speed, two lights for medium speed, three lights for high speed. The low speed mode provides better control of the machine and longer operating time per charge.



NOTICE: The speed mode can be set before the machine is turned on OR during operation. When the machine is re-started after a break, the speed mode will return to the previous speed.

BATTERY-STATUS INDICATOR AND SPEED INDICATOR (FIG. 10)

The battery-status indicator shows the charge level and the working status of the battery pack, and the speed indicator shows the working status of the machine as shown in below list. The battery-status indicator and the speed indicator will illuminate when the machine is started.

Indicator Lights		Meaning
Battery-status Indicator	Solid green	 Battery charge level of 20% to 100%
	Flashing green	 Battery charge level of 10% to 20%
	Solid red	 Battery charge level of less than 10%
	Flashing red	 The battery pack charge is nearly depleted and needs to be charged immediately.
	Solid orange	 The battery pack is overheated. Cool the battery pack until the temperature drops below 152°F (67°C). See " Battery High-temperature Protection " below.
	Flashing red/green alternately	 The battery pack electronics error. Replace the battery pack or contact EGO customer service center. See " Battery Electronics Error Protection " below.
Speed Indicator (the illustration shows the high speed)	Solid green	 The machine is working properly.
	Solid orange	 The machine is overheated. Cool the machine until the temperature drops below 176°F (80°C). See " Machine High-temperature Protection " below.
	Flashing orange	 The machine is overloaded. See " Machine Overload Protection " below.

Battery High-temperature Protection

If the battery temperature exceeds 158°F (70°C) during operation, the temperature-protection circuit will immediately shut off the machine to protect the battery pack from overheating damage. The battery-status indicator will glow solid orange. Release the trigger and wait until the overheated battery cools down and the indicator turns green, then restart the machine.

Battery Electronics Error Protection

When the battery pack electronics error occurs, the battery-status indicator will flash red/green alternately and the machine will shut off in 3 seconds. Replace the battery pack or contact EGO customer service center.

Machine Overload Protection


This machine has built-in overload circuit protection. When the machine is overloaded, the motor will stop and the battery-status indicator will flash orange. Remove the battery pack from the machine, then reattach the battery pack and restart the machine. Decrease the load on the edger. Cut slowly and steadily to avoid bogging down the motor. Let the machine do the work, do not force the edger blade into the ground.

Machine High-temperature Protection

If the machine temperature exceeds 194°F (90°C) during operation, the temperature-protection circuit will immediately shut off the machine to prevent overheating damage. The speed indicator will glow solid orange. Release the trigger and wait until the overheated machine cools down and the speed indicator turns green, then restart the machine.

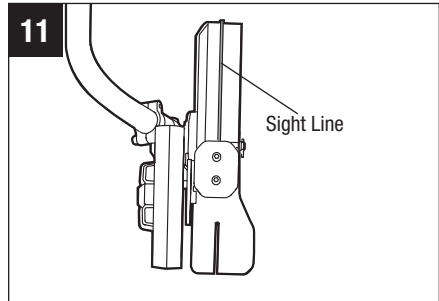
Bluetooth® wireless technology

Products with built-in Bluetooth® wireless technology can connect to mobile devices. Please visit www.egopowerplus.com/commercial for instructions on how to use the Bluetooth® function.

The Bluetooth® symbol  lights up when the machine is connected to your mobile device.

OPERATING TIPS

- Hold and guide the edger so that the blade is vertical.
- Operate at no faster than a normal walking pace.
- Cut at a steady pace. If the blade begins to bog down, you are edging too quickly; slow your pace.
- Do not force the blade into the ground. Light contact of the blade against the sidewalk edge, curb, etc., is acceptable and will not damage the edger.
- Always walk forward when cutting and move the edger forward. Do not pull the edger towards you.
- Use the sight line to line the blade up with the edge of the bed (Fig. 11).
- Best appearance is obtained when grass is dry. Avoid edging in wet soil or wet grass areas, otherwise the blade guard might get clogged and result in an uneven edge. If the blade guard becomes clogged, stop the motor, remove the battery pack, and remove debris from the blade guard.



MAINTENANCE

⚠ WARNING: When servicing, use only identical replacement parts. Use of any other parts may create a hazard or cause product damage. To ensure safety and reliability, all repairs should be performed by a qualified service technician.

⚠ WARNING: Battery machines do not have to be plugged into an electrical outlet; therefore, they are always in operating condition. To prevent serious personal injury, take extra precautions and care when performing maintenance, service, or when changing the cutting attachment or other attachments.

⚠ WARNING: To prevent serious personal injury, remove the battery pack from the edger before servicing, cleaning, changing add-on attachments, or when the product is not in use.

GENERAL MAINTENANCE

Avoid using solvents when cleaning plastic parts. Most plastics are susceptible to damage from various types of commercial solvents and may be damaged by their use. Use a clean cloth to remove dirt, dust, oil, grease, etc.

⚠ WARNING: Do not at any time let brake fluids, gasoline, petroleum-based products, penetrating oils, etc. come in contact with plastic parts. Chemicals can damage, weaken, or destroy plastic, which may result in serious personal injury.

⚠ WARNING: When cleaning the edger, DO NOT immerse in water or other liquids.

All edger service, other than the items listed in these maintenance instructions, should be performed by competent service personnel.

REPLACING THE BLADE

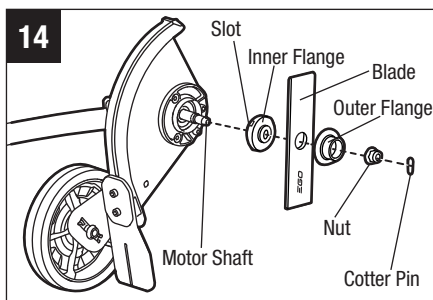
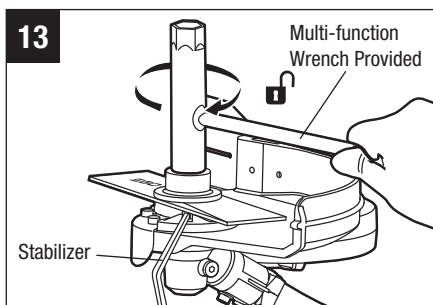
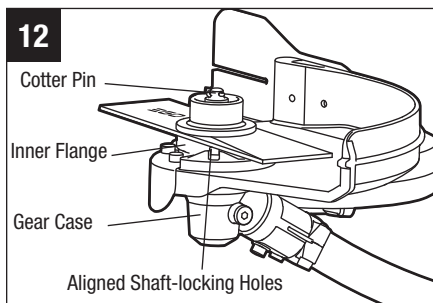
⚠ WARNING: Do not attempt to straighten or weld a bent or cracked blade. Such a blade may break and it must be replaced. We recommend replacement only with an EGO™ edger blade.

NOTICE: Replace the blade if its length is no longer sufficient to maintain the necessary ground clearance and obtain the required depth of cut.

⚠ WARNING: Always protect your hands by wearing heavy gloves or wrapping the blade with rags or other materials when performing any maintenance on the edger blade.

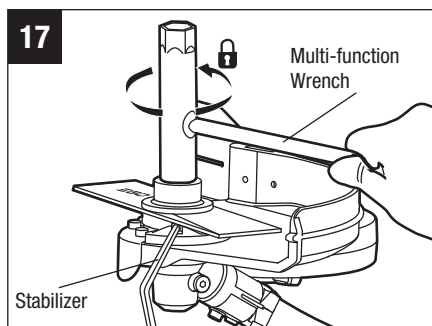
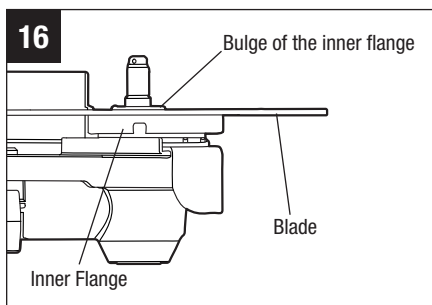
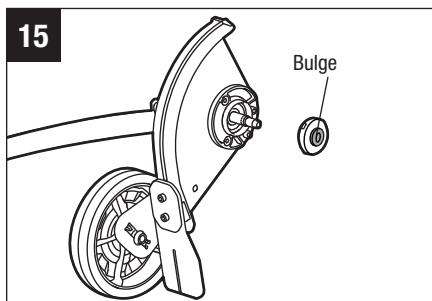
To remove the blade

1. Stop the motor and remove the battery pack.
2. Lay the edger on its back so that the blade is facing upwards.
3. Wear protective gloves. Use needle nose pliers (not included) to remove the cotter pin from the motor shaft (Fig. 12).
4. Rotate the blade to align the slot in the flange with the hole in the gear case (Fig. 12).
5. Insert a steel rod, into the aligned holes to act as a stabilizer. Use the multi-function wrench provided to loosen the nut **CLOCKWISE** (Fig. 13).
6. Remove the nut, outer flange, blade, and the inner flange from the motor shaft (Fig. 14). Check and replace them if they are worn.



To install the blade

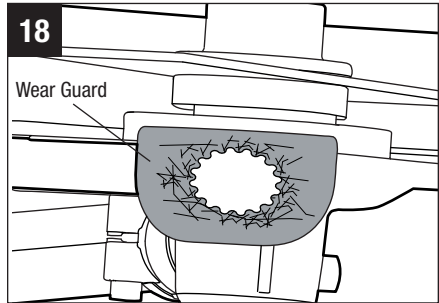
1. Remove the battery pack.
2. Put the inner flange onto the motor shaft with the bulge of the inner flange facing outwards (Fig. 15).
3. Install the new blade onto the bulge of the inner flange, ensuring that the blade is mounted into its place securely.
4. Mount the outer flange and the nut onto the shaft, and finger-tighten the nut COUNTERCLOCKWISE.
5. Follow the above step 4 & 5 in the section "To remove the blade" to block the rotation of the blade to securely tighten the nut COUNTERCLOCKWISE.
6. Insert a new cotter pin ($\varnothing 2 \times 16$ mm, not included) into the hole in the motor shaft. Bend the two ends of the pin in opposite directions with needle nose pliers (not included) (see Fig. 12).



REPLACING OTHER WORN PARTS

Inspect the wear guard periodically. Have a worn wear guard replaced by EGO Customer Service as soon as the gear case becomes visible (Fig. 18).

Have a worn debris flap or guide wheel replaced by EGO Customer Service.

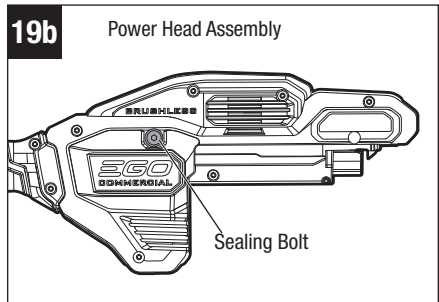
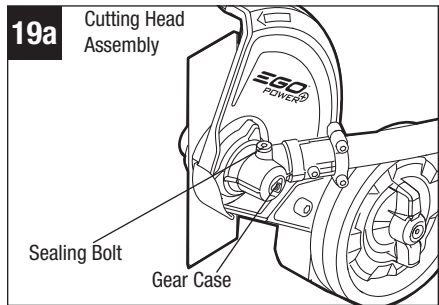


TRANSMISSION GEARS LUBRICATION

The transmission gears in the cutting head and power head assemblies need to be lubricated periodically with gear grease. Add gear case grease after about every 50 hours of operation by removing the sealing bolts (Fig. 19a & 19b).

Do not completely fill the transmission gear case.

1. Stop the motor and remove the battery pack.
2. Depending on which bolt you are removing, lay the edger on its back or hold it on its side so that the sealing bolt to be removed is facing upwards.
3. Use a 4 mm hex key (not included) to loosen and remove the sealing in Fig. 19a & 19b.
4. Use a grease syringe (not included) to inject some grease into the bolt hole; do not exceed 3/4 capacity.
5. Tighten the sealing bolt(s) after injection.



The grease should meet the following requirements:

- NLGI Grade Penetration: NLGI-1
- Thickener Type: Ester
- Recommended Operating Temperature Range: -40°F to 356°F (-40°C to 180°C)
- Other than above, the grease should also have excellent low-temperature startup, EP, mechanical shearing, abrasion resistance and oxidative stability.

CLEAN THE UNIT

- After each use, remove the battery and clean the debris, clogged soils or grass on the blade and guard with a soft brush. Wipe the edger surface with a clean cloth moistened with a mild soap solution.
- Use a small brush or a small vacuum cleaner to clean the air vents on the rear housing.
- Keep the air vents free of obstructions.

STORING THE UNIT

- Remove the battery pack from the edger.
- Clean the machine thoroughly before storing it.
- Store the unit in a dry, well-ventilated area, locked-up or up high, out of the reach of children. Do not store the unit on or adjacent to fertilizers, gasoline, or other chemicals.

TROUBLESHOOTING

PROBLEM	CAUSE	SOLUTION
Motor fails to start.	<ul style="list-style-type: none"> ■ The battery pack is not attached to the edger. ■ No electrical contact between the edger and the battery pack. ■ The battery pack charge is depleted. ■ The lock-off lever and trigger switch are not depressed simultaneously. 	<ul style="list-style-type: none"> ■ Attach the battery pack to the edger. ■ Remove the battery, check contacts and reinstall the battery pack until it snaps into place. ■ Charge the battery pack with EGO chargers listed in this manual. ■ Move the lock-off lever forward and press the trigger switch at the same time.
Edger stops during operation.	<ul style="list-style-type: none"> ■ The motor is overloaded. See the chapter "Machine Overload Protection". ■ The battery pack is too hot. See the chapter "Battery High-temperature Protection". ■ The edger is too hot. See the chapter "Machine High-temperature Protection". ■ The battery pack is disconnected from the machine. ■ The battery pack charge is depleted. 	<ul style="list-style-type: none"> ■ The motor will recover when the load is removed. For continuous working, decrease the load on the edger. ■ Remove the battery pack and cool the battery pack until the temperature drops below 152°F (67°C). ■ Remove the battery pack and cool the edger until the temperature drops below 176 °F (80 °C). ■ Re-install the battery pack. ■ Charge the battery pack with EGO chargers listed in this manual.
Uneven edge.	<ul style="list-style-type: none"> ■ Grass or soil being edged is too wet. ■ Blade guard is clogged. 	<ul style="list-style-type: none"> ■ Avoid edging in wet soil or wet grass. ■ Stop the motor, remove the battery pack, and remove debris from the blade guard.



EGO LIMITED WARRANTY

WARRANTY POLICY TERMS AND DURATION

Chervon North America, Inc. ("Chervon North America") provides the following Limited Warranty for EGO products to the original purchaser of EGO products.

CHERVON NORTH AMERICA NAPERVILLE, IL 60563

The detailed warranty period for each EGO product can be found online at <http://egopowerplus.com/warranty-policy>.

Please contact EGO Customer Service Toll-Free at 1-855-EGO-5656 any time you have questions or warranty claims or would like a hard copy of the warranty.

LIMITED SERVICE WARRANTY

EGO products are warranted against defects in material or workmanship from the date of original retail purchase for the applicable warranty period. For any properly and timely submitted warranty claim, if Chervon North America determines a product to be defective during the warranty period, the product will receive free repair or replacement as determined by Chervon North America.

HOW TO OBTAIN SERVICE

For warranty service, within the applicable warranty period, please contact EGO customer service toll-free at **1-855-EGO-5656**. When requesting warranty service, you must present the original dated sales receipt. An authorized service center will be selected to evaluate and repair the product if defective according to the stated warranty terms. When bringing your product to the authorized service center, there may be a small deposit that will be required when dropping off your machine. This deposit is refundable when the repair service is deemed to be covered under warranty.

ADDITIONAL LIMITATIONS & EXCLUSIONS

This limited warranty applies only to the original purchaser from an authorized EGO retailer and is not transferable. EGO products shall not be considered defective, and this warranty will not apply, where the claimed defect is attributable to any cause other than the above-defined defects. This warranty shall be void if the product has been used for rental purposes. This warranty shall not apply to damage caused by accident, abuse, misuse, alteration, modification, unauthorized repair, liquid contact, fire, earthquake or



other external cause; operating the product outside EGO's instructions, specifications or guidelines; or failure to properly service or maintain the product. This warranty also does not apply to cosmetic damage, including but not limited to scratches or dents; defects caused by normal wear and tear or otherwise due to the normal aging of the product.

THIS EXPRESS WARRANTY IS GIVEN IN LIEU OF ALL OTHER WARRANTIES, EXPRESS OR IMPLIED, INCLUDING, BUT NOT LIMITED TO, ANY WARRANTIES OF MERCHANTABILITY OR FITNESS FOR PARTICULAR PURPOSE OR USE, WHICH ARE DISCLAIMED. Any implied warranties, including warranties of merchantability or fitness for a particular purpose, that cannot be disclaimed under state law are limited to the applicable warranty period defined at the beginning of this article. The sole and exclusive remedy in connection with the purchase, installation, use, and/or performance of the EGO products is repair or replacement of the product as determined by Chervon North America. Chervon North America's maximum liability shall not in any case exceed the purchase price paid for the product. CHERVON NORTH AMERICA SHALL NOT BE LIABLE TO THE USER OR TO ANYONE ELSE FOR CONSEQUENTIAL, INCIDENTAL, SPECIAL, EXEMPLARY, INDIRECT, OR PUNITIVE DAMAGES ARISING FROM USE OF THE PRODUCTS, INCLUDING BUT NOT LIMITED TO PERSONAL INJURY, DEATH, PROPERTY DAMAGE, LOST PROFITS, OR OTHER ECONOMIC INJURY. This warranty gives you specific legal rights, and you may also have other rights which vary from state to state. Some states do not allow limitations on how long an implied warranty lasts, the exclusion or limitation of incidental or consequential damages, or the limitations on time to bring certain actions, so such limitations contained herein do not apply to individual consumers in those states.

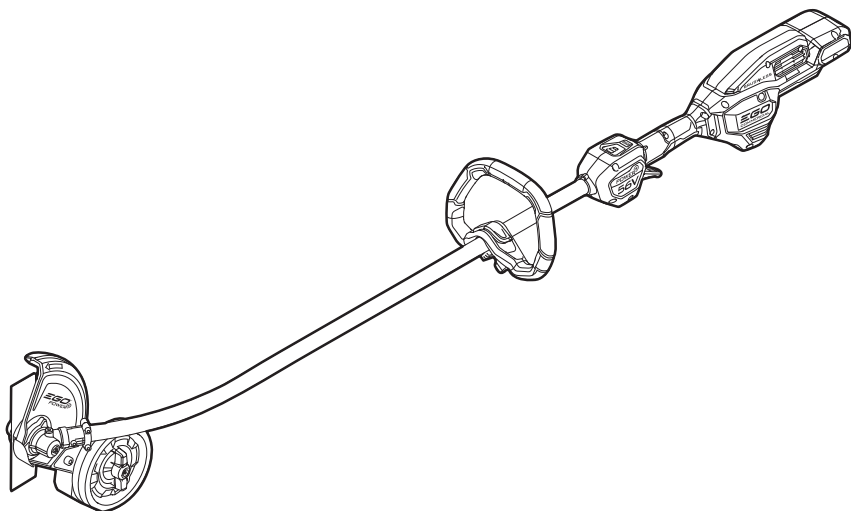
This warranty is subject to and shall be interpreted according to Michigan law without regard to principles of conflicts of laws. No legal action shall be brought against Chervon North America unless filed within one (1) year after the basis for such legal action becomes known, or with the exercise of reasonable diligence should have become known. Any action not timely filed shall be deemed waived.

For customer service contact us toll-free at: **1-855-EGO-5656** or
EGOPOWERPLUS.COM.

EGO Customer Service
769 Seward Ave. NW, Suite 102
Grand Rapids, Michigan 49504.

EGO™

COMMERCIAL



GUIDE D'UTILISATION

COUPE-BORDURE COMMERCIAL À ARBRE INCURVÉ AU LITHIUM-ION DE 56 V, 8 PO

NUMÉRO DE MODÈLE EDX2000-C/EDX2000-C-FC

⚠ AVERTISSEMENT : Afin de réduire les risques de blessure, l'utilisateur doit lire et comprendre le guide d'utilisation avant d'utiliser ce produit. Conservez le présent guide afin de pouvoir le consulter ultérieurement.

TABLE DES MATIÈRES

Déclaration de conformité FCC	36
Symboles relatifs à la sécurité	37
Consignes de sécurité	38-43
Introduction	44
Spécifications	44
Description	45-47
Assemblage	48-50
Fonctionnement	51-58
Maintenance	59-63
Recherche de la cause des problèmes	64
Garantie	65-67

LISEZ TOUTES LES INSTRUCTIONS !



ASSUREZ-VOUS DE LIRE ET DE COMPRENDRE
LE GUIDE D'UTILISATION

⚠ AVERTISSEMENT : Des travaux de ponçage, de sciage, de meulage, de perçage et d'autres travaux de construction réalisés avec un outil électrique peuvent produire des poussières qui, selon l'État de Californie, contiennent des produits chimiques qui sont des causes reconnues de cancer, de malformation congénitale ou d'autres problèmes de la reproduction. Ces produits chimiques sont, par exemple :

- du plomb provenant de peinture au plomb,
- des cristaux de silices provenant des briques et du ciment, et d'autres produits de maçonnerie, et
- de l'arsenic et du chrome provenant de bois de construction traité par des produits chimiques.

Votre niveau de risque causé par de telles expositions varie en fonction de la fréquence à laquelle vous effectuez ces types de travaux. Pour réduire l'exposition à ces produits chimiques, il est utile de travailler dans un lieu bien ventilé et de porter un équipement de sécurité approprié tel que certains masques à poussière conçus spécialement pour filtrer les particules microscopiques.

DÉCLARATION DE CONFORMITÉ FCC

1. Ce dispositif est conforme à la Partie 15 des Règlements de la FCC. Son utilisation est autorisée moyennant le respect des deux conditions suivantes :
 - 1) Ce dispositif ne doit pas causer d'interférences préjudiciables.
 - 2) Ce dispositif doit accepter toute interférence reçue, y compris les interférences qui risquent de causer un fonctionnement indésirable de l'équipement.
2. Toute modification ou altération de ce dispositif n'ayant pas été approuvée expressément par la partie responsable de la conformité pourrait annuler le droit de l'utilisateur de se servir de cet équipement.

AVIS : Ce luminaire a été testé et jugé conforme aux limites pour un équipement numérique de Classe B en vertu de la Partie 15 des Règlements de la FCC. Ces limites sont conçues pour assurer une protection raisonnable contre les interférences nuisibles dans une installation résidentielle. Cet équipement émet, utilise et peut rayonner de l'énergie de fréquence radio et, s'il n'est pas installé et utilisé conformément aux instructions, il pourrait causer des interférences nuisibles aux communications radio. Cependant, il n'existe aucune garantie qu'aucune interférence ne se produira dans une installation particulière. Si cet équipement cause des interférences nuisibles pour la réception de programmes à la radio ou à la télévision, ce qui peut être déterminé en allumant et en éteignant à plusieurs reprises l'équipement en question, l'utilisateur est encouragé à corriger l'interférence en prenant une ou plusieurs des mesures suivantes : Réorienter ou déplacer l'antenne de réception. Augmenter la distance entre l'équipement et le récepteur. Connecter l'équipement à une prise de courant raccordée à un circuit différent de celui auquel le récepteur est connecté. Consulter le détaillant ou un technicien radio ou télévision expérimenté pour lui demander conseil.

DIRECTIVES DE SÉCURITÉ

La raison d'être des symboles relatif à la sécurité est d'attirer votre attention sur des dangers possibles. Il est important de vous familiariser avec les symboles relatifs à la sécurité et les explications qui les accompagnent afin de bien les comprendre. Les avertissements et les symboles associés ne suffisent pas à éliminer tous les dangers. Les instructions et les avertissements qu'ils donnent ne sauraient remplacer des mesures de prévention des accidents appropriées.

⚠ AVERTISSEMENT : Lisez toutes les consignes de sécurité qui sont contenue dans ce Mode d'emploi, y compris tous les symboles d'alerte relatifs à la sécurité tels que « **DANGER** », « **AVERTISSEMENT** » et « **MISE EN GARDE** », et assurez-vous que vous les comprenez bien avant de commencer à utiliser cet outil. La non-observation de toutes les instructions figurant ci-après pourrait causer un choc électrique, un incendie et/ou des blessures personnelles graves.

SIGNIFICATION DES SYMBOLES

⚠ SYMBOLE D'ALERTE DE SÉCURITÉ : Indique **DANGER**, **AVERTISSEMENT** ou **MISE EN GARDE**. Peut être utilisé en conjonction avec d'autres symboles ou pictogrammes.




⚠ AVERTISSEMENT ! Pendant leur fonctionnement, les outils électriques peuvent projeter des corps étrangers dans les yeux de leur utilisateur et lui infliger de graves blessures aux yeux. Portez toujours des lunettes de protection ou des lunettes de sécurité à écrans latéraux et un masque couvrant tout le visage si besoin est avant de commencer à utiliser cet outil électrique. Nous recommandons de porter un masque de sécurité à vision latérale large au-dessus des lunettes ordinaires ou des lunettes de sécurité standard avec des écrans de protection sur les côtés. Utilisez toujours un équipement de protection des yeux indiquant qu'il est conforme à la norme ANSI Z87.1.

CONSIGNES DE SÉCURITÉ

Cette page représente et décrit les symboles de sécurité qui peuvent figurer sur ce produit. Lisez attentivement et suivez toutes les instructions figurant sur la machine avant de l'assembler et de commencer à l'utiliser.

	Alerte de sécurité	Indique un risque de blessure.
	Lisez le mode d'emploi, et assurez-vous que vous le comprenez.	Pour réduire le risque de blessure, l'utilisateur doit lire et comprendre le mode d'emploi avant d'utiliser ce produit.
	Protection des yeux	Portez toujours des lunettes de protection ou des lunettes de sécurité à écrans latéraux et un masque couvrant tout le visage lors de l'utilisation de ce produit.
	Bluetooth®	Symbole Bluetooth®
	Symboles de recyclage	Ce produit utilise des piles au lithium-ion (Li-ion). Les lois et règlements locaux, provinciaux et fédéraux interdisent peut-être de jeter des piles au lithium-ion dans les ordures ordinaires. Consultez votre service municipal responsable de la gestion des déchets pour déterminer quelles sont les options de recyclage et/ou d'élimination possibles.
IPXX	Indice de protection pour la pénétration (PP)	Classifie le degré de protection fourni par un boîtier, pour les équipements électriques.
V	Volts	Tension
mm	Millimètre	Longueur ou la taille
cm	Centimètre	Poids
in.	Pouce	Type ou caractéristique du courant
kg	Kilogramme	Poids
lb	Livre	Poids

	Courant continu	Type ou caractéristique du courant
°C	Degrés Celsius	Température
°F	Degrés Fahrenheit	Température

CONSIGNES DE SÉCURITÉ IMPORTANTES

⚠ AVERTISSEMENT ! Lorsque vous utilisez une machine électrique pour le jardinage, prenez toujours des précautions élémentaires en matière de sécurité pour réduire le risque d'incendie, de choc électrique et de blessures, notamment en faisant ce qui suit :

LISEZ TOUTES LES INSTRUCTIONS AVANT DE COMMENCER À UTILISER CE PRODUIT !

⚠ DANGER ! Ne comptez pas sur l'isolation de la machine pour vous protéger contre les chocs électriques. Pour réduire le risque d'électrocution, n'utilisez jamais l'outil à proximité de fils ou de câbles susceptibles de transporter un courant électrique.

⚠ MISE EN GARDE! Portez un dispositif approprié de protection de l'ouïe pendant l'utilisation de cet outil. Dans certaines conditions d'utilisation et en fonction de la durée de cette utilisation, le bruit émis par cet outil peut contribuer à une perte auditive.

- **Évitez les environnements dangereux** – N'utilisez pas des équipements électriques dans un endroit mouillé ou humide.
- **Évitez les environnements dangereux** – N'utilisez pas des équipements électriques dans un endroit mouillé ou humide.
- **Habillez-vous de façon appropriée** – Ne portez pas de vêtements amples ou de bijoux. Ils risqueraient d'être happés par des pièces mobiles. Le port de gants en caoutchouc et de chaussures de travail solides est recommandé si vous travaillez à l'extérieur. Portez un chapeau ou une coiffe de protection si vous avez les cheveux longs.
- **Portez des lunettes de sécurité** – Utilisez toujours un masque antipoussière ou une protection du visage si la tâche que vous allez accomplir va produire de la poussière.

- **Utilisez l'équipement approprié** – N'utilisez pas un équipement conçu pour une autre tâche.
- **N'exercez pas une pression excessive sur l'équipement** – Votre équipement fera mieux le travail pour lequel il est conçu en réduisant le risque de blessure si vous l'utilisez à la vitesse pour laquelle il a été conçu.
- **Ne vous penchez pas au-dessus de votre équipement** – Veillez à toujours garder un bon équilibre et un appui stable.
- **Restez alerte** - Surveillez attentivement ce que vous êtes en train de faire. Faites preuve de bon sens. N'utilisez pas le coupe-bordure lorsque vous êtes fatigué(e).
- **N'utilisez pas le coupe-bordure pendant que vous êtes sous l'influence d'alcool ou de drogues.**
- **Maintenez les dispositifs de protection en place et en bon état de fonctionnement**
- **Gardez les lames affûtées.** Remplacez toute lame émoussée ou usée ; n'essayez pas de l'aiguiser.
- **Gardez les mains à une distance suffisante de la zone de coupe.**
- **Ne vous tenez jamais debout et ne placez jamais une partie de votre corps dans l'axe de la lame du coupe-bordure.**
- **Rangez les équipements inutilisés à l'intérieur** – Quand ils ne sont pas utilisés, ces produits doivent être rangés à l'intérieur, dans un endroit sec et en hauteur ou dans un endroit fermé à clé avec le bloc-piles débranché et hors de portée des enfants.
- **Entretenez scrupuleusement ce produit** – Un bord de coupe bien affûté et propre assurera la meilleure performance possible et réduira le risque de blessures. Suivez les instructions pour le graissage ainsi que pour le changement d'accessoires. Gardez les poignées propres, sèches et exemptes de toute trace d'huile ou de graisse.
- **Inspectez les pièces endommagées** – Avant de continuer à utiliser le produit, un dispositif de protection ou tout autre élément qui est endommagé doit faire l'objet d'une inspection approfondie pour vous assurer qu'il fonctionnera toujours correctement et en remplissant la fonction prévue. Vérifiez que les pièces mobiles sont correctement alignées, qu'elles ne se coincent pas, qu'elles sont bien assujetties et qu'elles ne sont pas brisées, vérifiez leur montage et remédiez à tous autres problèmes qui risqueraient d'affecter le fonctionnement de l'outil. Un dispositif de protection ou tout autre composant endommagé doit être réparé

de façon approprié ou remplacé par un centre de service après-vente agréé, sauf indication contraire par ailleurs dans ce mode d'emploi.

- **Dégagez la zone à couper avant chaque utilisation.** Retirez tous les objets tels que les pierres, le verre brisé, les clous, le fil de fer ou la ficelle qui peuvent être projetés ou s'emmêler dans l'accessoire de coupe.
- **Tenez toujours fermement le coupe-bordure, avec les deux mains sur les poignées, pendant l'utilisation. Enroulez vos doigts et vos pouces autour des poignées.**
- **Ne pas utiliser la machine sous la pluie.**
- **Évitez les démarrages accidentels** – Ne transportez pas le coupe-bordure lorsque vous avez votre doigt sur la gâchette.
- **N'utilisez pas le coupe-bordure dans des atmosphères gazeuses ou explosives.** Les moteurs de ces appareils produisent normalement des étincelles, qui peuvent enflammer les fumées.
- **N'utilisez pas le coupe-bordure sur des surfaces gravillonnées ou à proximité de telles surfaces.**
- **Endommagement du coupe-bordure** – Si vous heurtez un objet étranger avec le coupe-bordure, arrêtez immédiatement la machine, vérifiez qu'elle n'est pas endommagée et faites réparer les dommages éventuels avant de poursuivre l'opération. N'utilisez pas cet outil avec une lame ou un dispositif de protection cassé.
- **Remplacez immédiatement une lame fissurée, endommagée ou usée, même si les dommages se limitent à des fissures superficielles.** De tels attachements risqueraient de se fracasser à haute vitesse et de causer des blessures graves ou même mortelles.
- **Ne chargez pas le bloc-piles sus la pluie ou dans des endroits mouillés.**
- **N'utilisez qu'avec les blocs-piles et les chargeurs indiqués ci-dessous :**

BLOC-PILES	CHARGEUR
BA1400, BA1400-FC, BA2800, BA2800-FC, BA4200, BA4200-FC, BA1400T, BA1400T-FC, BA2242T, BA2242T-FC, BA2800T, BA2800T-FC, BA3360T, BA3360T-FC, BA4200T, BA4200T-FC, BA5600T, BA5600T-FC, BA6720T, BA6720T-FC	CH2100, CH2100-FC, CH3200, CH3200-FC, CH5500, CH5500-FC, CH2800D, CH2800D-FC, CH7000, CH7000-FC

- **Ne jetez pas de piles dans un feu.** Les piles pourraient exploser. Consultez les codes locaux pour connaître les éventuelles instructions spéciales pour la mise au rebut.
- **N'ouvrez pas et ne mutilez pas la pile.** L'électrolyte libéré est corrosif et peut causer des dommages aux yeux ou à la peau. Il peut être toxique s'il est avalé.
- **Manipulez les piles avec précaution afin de ne pas les court-circuiter avec des matériaux conducteurs tels que des bagues, des bracelets et des clés.** La pile ou le conducteur peuvent surchauffer et provoquer des brûlures.
- **N'utilisez pas la lame, le dispositif de protection, la poignée d'assistance avant ou tout autre accessoire non recommandé par le fabricant de ce produit.** L'utilisation d'attachements ou d'accessoires qui ne sont pas recommandés peut causer des blessures graves.
- **Les machines alimentées par des piles n'ont pas besoin d'être branchées dans une prise de courant ; elles sont donc toujours en état de marche.** Soyez conscient(e) des dangers possibles, même lorsque la machine n'est pas en train de fonctionner. Faites attention lorsque vous effectuez des opérations de maintenance ou d'entretien.
- **Retirez ou déconnectez le bloc-piles avant de procéder à l'entretien, au nettoyage ou au retrait de matériau du produit.**
- **Ne lavez pas avec un tuyau flexible ; évitez de faire pénétrer de l'eau dans le moteur et les connexions électriques.**
- **N'incinerez pas cet équipement, même s'il est gravement endommagé. Les piles peuvent exploser en cas d'incendie.**
- **Empêchez tout démarrage involontaire.** Assurez-vous que l'interrupteur est dans la position d'arrêt avant de le connecter au bloc-piles, ou de soulever ou de transporter votre outil. Le fait de porter l'équipement avec le doigt sur l'interrupteur ou de mettre sous tension un équipement dont l'interrupteur est allumé invite les accidents.
- **Débranchez le bloc-piles de votre outil avant d'y apporter de quelconques modifications, de changer des accessoires ou de ranger l'outil.** Ces mesures de sécurité préventives réduisent le risque de démarrage accidentel de l'équipement.
- **Lorsque le bloc-piles n'est pas utilisé, gardez-le à une distance suffisante des autres objets en métal, comme des trombones, pièces de monnaie, clés, clous, vis ou autres petits objets en métal qui pourraient établir une**

connexion entre une borne et une autre. Le court-circuitage des bornes d'une pile pourrait causer des brûlures ou un incendie.

- **Dans des conditions d'utilisation abusives, du liquide peut être éjecté de la pile ; évitez tout contact.** En cas de contact accidentel, lavez avec de l'eau. En cas de contact de liquide avec les yeux, consultez un professionnel de santé. Tout liquide éjecté d'une pile peut causer de l'irritation ou des brûlures.
- **N'utilisez pas un bloc-piles ou un équipement qui est endommagé ou qui a été modifié.** Des piles endommagées ou modifiées peuvent se comporter de façon imprévisible et causer un incendie, une explosion ou des blessures.
- **N'exposez pas un bloc-piles ou un équipement à un feu ou à une température excessive.** L'exposition à un feu ou à une température supérieure à 130° C / 265° F pourrait causer une explosion.
- **Suivez toutes les instructions de charge et ne chargez pas le bloc-piles ou l'équipement en dehors de la plage de température spécifiée dans les instructions.** Une charge dans des conditions appropriées ou à des températures en dehors de la plage spécifiée pourrait endommager les piles et augmenter le risque d'incendie.
- **Faites effectuer les réparations par un réparateur qualifié en utilisant uniquement des pièces de rechange identiques.** Ceci assurera le maintien de la sécurité du produit.
- **Ne modifiez pas et ne tentez pas de réparer cet équipement ou le bloc-piles, sauf conformément à ce qui est indiqué dans les instructions d'entretien et d'utilisation.**
- **Si des situations qui ne sont pas traitées dans ce mode d'emploi surviennent, faites attention et utilisez votre jugement. Contactez le centre de service à la clientèle d'EGO pour obtenir de l'assistance.**
- **Conservez ces instructions.** Consultez-les fréquemment et utilisez-les pour former les autres personnes qui sont susceptibles d'utiliser cette machine. Si vous prêtez cette machine à quelqu'un d'autre, prêtez-lui également ces instructions afin d'éviter une mauvaise utilisation du produit et d'éventuelles blessures.

CONSERVEZ CES INSTRUCTIONS !

INTRODUCTION


Félicitations pour votre sélection du coupe-bordure EGO COMMERCIAL au Lithium-ion de 56 V. Elle a été conçue, développée et fabriquée pour vous donner le plus possible de fiabilité et de rendement.

Si vous rencontrez un problème auquel vous ne pouvez pas remédier facilement, veuillez contacter le centre de service à la clientèle EGO au 1-855-EGO-5656.

Ce mode d'emploi contient des informations importantes sur l'assemblage, l'utilisation et l'entretien de votre produit en toute sécurité. Lisez-le attentivement avant d'utiliser le produit. Conservez ce mode d'emploi à portée de main afin de pouvoir vous y référer à tout moment.

NUMÉRO DE SÉRIE _____ DATE D'ACHAT _____
NOUS VOUS RECOMMANDONS DE NOTER LE NUMÉRO DE SÉRIE ET LA DATE D'ACHAT ET DE LES CONSERVER EN LIEU SÛR AFIN DE POUVOIR LES CONSULTER ULTÉRIEUREMENT.

SPÉCIFICATIONS

Tension	56V 
Longueur de la lame	203 mm / 8 po
Profondeur de coupe	Jusqu'à 76 mm / 3 po
Indice de protection pour la pénétration	IPX5* (Protection contre les jets d'eau)
Température de fonctionnement recommandée	0° C-40° C / 32° F-104° F
Température de stockage recommandée	-20° C-70° C / -4° F-158° F
Poids (sans le bloc-piles)	4,7 kg / 10,4 lb

REMARQUE : Le classement IPX5 est basé sur la machine et la pile utilisées ensemble en tant que système.

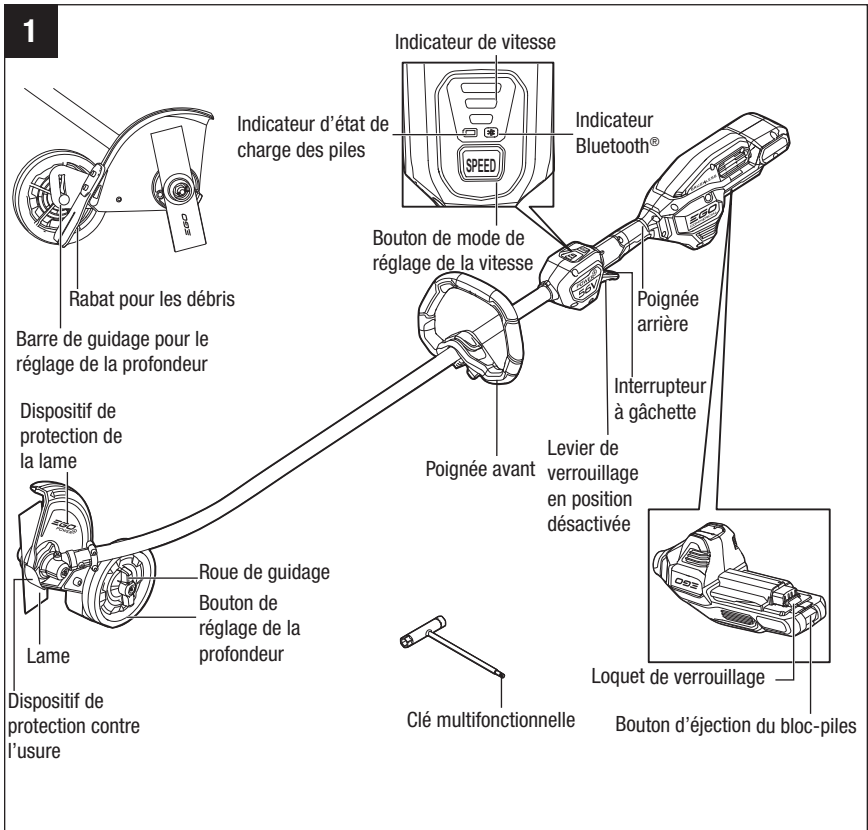
Accessoires recommandés

NOM DE LA PIÈCE	NUMÉRO DE MODÈLE
Lame du coupe-bordure	AEB0800

DESCRIPTION

FAMILIARISEZ-VOUS AVEC VOTRE COUPE-BORDURE (Fig. 1)

Pour que ce produit puisse être utilisé en toute sécurité, il est nécessaire de comprendre les informations figurant sur la machine et dans son mode d'emploi, et de bien maîtriser le projet que vous voulez réaliser. Avant d'utiliser ce produit, familiarisez-vous avec toutes ses fonctionnalités et les consignes de sécurité qui s'y appliquent.



POIGNÉE AVANT

Pour faciliter l'utilisation et pour aider à prévenir la perte de contrôle.

POIGNÉE ARRIÈRE

La poignée ergonomique avec surmoulage améliore le confort et la préhension.

LEVIER DE VERROUILLAGE EN POSITION D'ARRÊT

Aide à prévenir une activation accidentelle de la gâchette. Il doit être déplacé vers avant que la gâchette puisse être activée.

INTERRUPTEUR À GÂCHETTE

Pour allumer et éteindre la machine, et pour contrôler la vitesse.

BOUTON DE MODE DE RÉGLAGE DE LA VITESSE

Fournit des modes de vitesses élevées, intermédiaires et basses en fonction des différentes tâches à accomplir.

BOUTON D'ÉJECTION DU BLOC-PILES

Détache le bloc-piles de la machine.

LOQUET DE VERROUILLAGE

Verrouillez le bloc-piles lorsque vous l'installez sur la machine.

LAME

Cette lame en acier coupe les mauvaises herbes ainsi que les plantes vertes et tendres.

DISPOSITIF DE PROTECTION DE LA LAME

Réduit le risque de blessures pouvant être causées par la projection d'objets et par le contact avec la lame.

DISPOSITIF DE PROTECTION CONTRE L'USURE

Protège la boîte de vitesses contre l'usure.

RABAT POUR LES DÉBRIS

Réduit le risque de blessures pouvant être causées par la projection d'objets vers l'opérateur.

BOUTON DE RÉGLAGE DE LA PROFONDEUR ET BARRE DE GUIDAGE DE LA PROFONDEUR

Règle la profondeur de coupe.

ROUE DE GUIDAGE

Roule sur le sol et maintient la lame du coupe-bordure à la hauteur préréglée pour la profondeur de coupe requise.

INDICATEUR D'ÉTAT DE CHARGE DES PILES

Indique le niveau de charge du bloc-piles et l'état de fonctionnement de la pile.

INDICATEUR BLUETOOTH

Indique l'état de la connexion Bluetooth®.

REMARQUE : La marque du mot Bluetooth® et les logos correspondants sont des marques déposées appartenant Bluetooth SIG, Inc., et toute utilisation de ces marques par EGO est effectuée sous licence.

ASSEMBLAGE

⚠ AVERTISSEMENT : Si certaines pièces sont endommagées ou manquantes, n'utilisez pas ce produit avant que ces pièces aient été remplacées. L'utilisation de ce produit avec des pièces endommagées ou manquantes pourrait causer des blessures graves.

⚠ AVERTISSEMENT : N'essayez pas de modifier ce produit ou de créer des accessoires non recommandés pour l'utilisation avec ce coupe-bordure. Toute altération ou modification de ce type constitue une mauvaise utilisation et peut entraîner une situation dangereuse pouvant causer des blessures graves

⚠ AVERTISSEMENT : Ne réglez pas le dispositif de protection de la lame. Le dispositif de protection de la lame a été réglé en usine de manière à ce que la flèche gravée sur le dispositif de protection de la lame et le côté ouvert pointent dans la direction opposée à celle de l'opérateur. Cela garantit que les débris de coupe et autres débris sont dirigés loin de la machine et de l'opérateur.

DÉBALLAGE

Ce produit nécessite un assemblage.

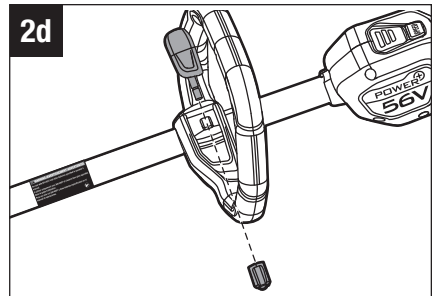
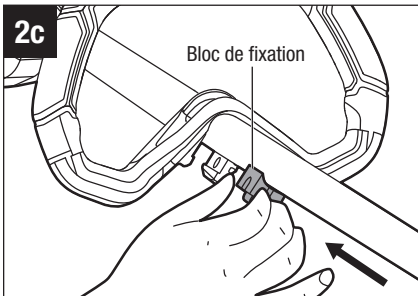
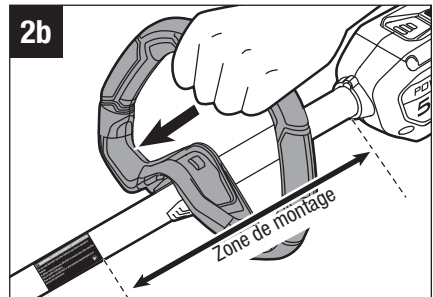
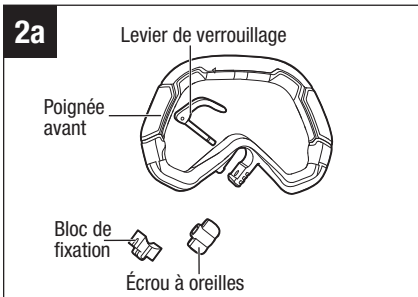
- Retirez le produit et tous les accessoires de la boîte en prenant les précautions nécessaires.
- Inspectez soigneusement la machine pour vous assurer qu'elle n'a pas été cassée ou endommagée pendant le transport.
- Ne jetez pas les matériaux d'emballage avant d'avoir inspecté attentivement la machine et de l'avoir mise en marche de façon satisfaisante.
- Si une pièce quelconque est endommagée ou manquante, veuillez rapporter le produit dans le magasin où vous l'avez acheté.

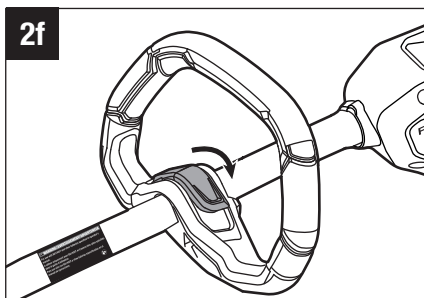
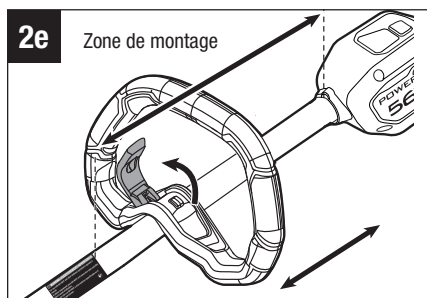
LISTE DES PIÈCES

NOM DE LA PIÈCE	QUANTITÉ
Coupe-bordure	1
Poignée avant	1
Clé multifonctionnelle	1
Mode d'emploi	1

MONTAGE ET RÉGLAGE DE LA POIGNÉE AVANT

1. Arrêtez le moteur et retirez le bloc-piles.
2. Desserrez l'écrou à oreilles et retirez-le avec le levier de verrouillage et le bloc de fixation de la poignée avant (Fig. 2a).
3. Positionnez l'inclinaison de la poignée vers le haut, en direction de la poignée arrière. Poussez la poignée dans la direction de l'arbre à l'intérieur de la zone de montage comme illustré à la Fig. 2b.
4. Insérez le bloc de fixation dans la fente de la poignée (Fig. 2c), montez le levier de verrouillage et serrez l'écrou à oreilles. (Fig. 2d).
5. Tirez le levier de verrouillage vers le haut pour déplacer/faire tourner la poignée jusqu'à ce qu'elle soit dans une position de fonctionnement confortable. À l'intérieur de la zone de montage, comme illustré sur la Fig. 2e.
6. Pliez le levier de verrouillage afin de sécuriser la poignée en position (Fig. 2f).





FONCTIONNEMENT

⚠ AVERTISSEMENT : Ne laissez pas l'habitude de l'utilisation de ce produit vous empêcher de prendre toutes les précautions requises. N'oubliez jamais qu'une fraction de seconde d'inattention suffit pour entraîner de graves blessures.

⚠ AVERTISSEMENT : Portez toujours une protection oculaire marquée comme étant conforme à la norme ANSI Z87.1 ; portez également une protection auditive. Si vous ne portez pas un tel dispositif de protection, vous pourriez subir des blessures graves, y compris en conséquence de la projection d'objets dans vos yeux..

⚠ AVERTISSEMENT : Pour éviter toute blessure grave, retirez le bloc-piles de la machine avant de l'entretenir, de la nettoyer, de changer des attachements ou de retirer des matériaux de l'équipement.

APPLICATIONS

Vous pouvez utiliser ce produit pour faire ce qui suit :

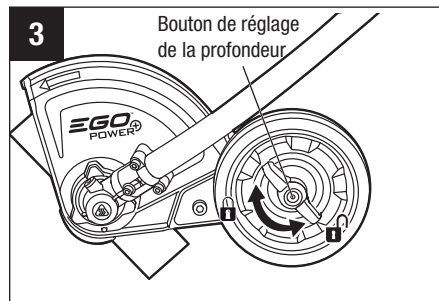
- Pour tailler autour des allées, et pour couper des bordures, des parterres de fleurs et d'autres zones similaires.

Assurez-vous qu'il n'y a pas de pièces endommagées ou excessivement usées avant chaque utilisation.

Inspectez la lame, son dispositif de protection et la poignée avant, et remplacez toutes les pièces qui sont fissurées, tordues, recourbées ou endommagées de quelque façon que ce soit.

RÈGLAGE DE LA PROFONDEUR DE COUPE

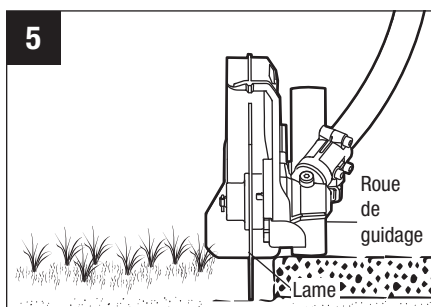
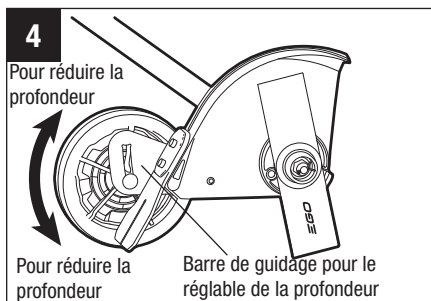
1. Arrêtez le moteur et retirez le bloc-piles.
2. Desserrez le bouton de réglage de la profondeur en tournant **DANS LE SENS CONTRAIRE DES AIGUILLES D'UNE MONTRE** (Fig. 3).



- Déplacez la roue de guidage, le long de la barre de guidage pour le réglage de la profondeur, vers le haut pour augmenter la profondeur de coupe ou vers le bas pour la diminuer (Fig. 4).

La profondeur de coupe correcte dépend des irrégularités du sol, de votre taille et de la façon dont vous tenez le coupe-bordure. Suivez les étapes ci-dessous :

- Réglez la roue de guidage de façon à ce que la lame touche juste le sol ou casse la surface du sol (Fig. 5).
- Serrez à fond le bouton de réglage de la profondeur en tournant dans le SENS DES AIGUILLES D'UNE MONTRE.
- En vous tenant debout dans la position normale de travail, vérifiez à nouveau la profondeur de coupe et corrigez-la si nécessaire.

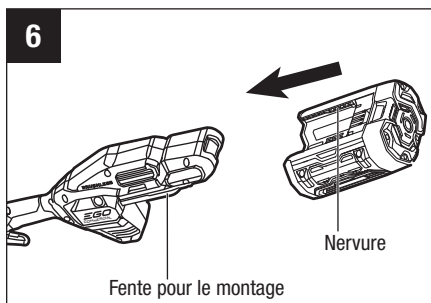


ATTACHEMENT/DÉTACHEMENT DE LA PILE

REMARQUE : Chargez complètement le bloc-piles avant de vous en servir pour la première fois.

Pour attacher (Fig. 6)

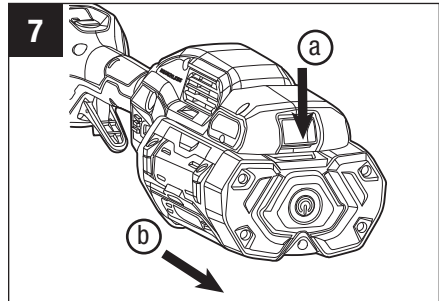
Alignez les nervures des piles sur les fentes de montage du compartiment des piles de la machine et faites glisser le bloc-piles jusqu'à ce qu'il s'enclenche en position.



Pour détacher (Fig. 7)

⚠ AVERTISSEMENT : Contrôlez toujours la position de vos pieds et les endroits où se trouvent les enfants et les animaux domestiques avant d'appuyer sur le bouton d'éjection des piles. La chute du bloc-piles pourrait causer des blessures graves. Ne retirez JAMAIS le bloc-piles lorsque vous vous trouvez à un endroit surélevé.

- Appuyez sur le bouton de déverrouillage des piles, et le bloc-piles se désengagera du loquet.
- Saisissez le bloc-piles et retirez-le de la machine.



TENUE DU COUPE-BORDURE

⚠ AVERTISSEMENT : Habillez-vous de façon appropriée pour réduire le risque de blessure lorsque vous utilisez cette machine. Ne portez pas de bijoux ou de vêtements amples. Portez des protections oculaires et auditives. Portez des pantalons longs robustes, des bottes et des gants. Ne portez pas de shorts ou de sandales, et n'utilisez pas cet outil en étant pieds nus. Portez un masque facial ou un masque de protection contre la poussière dans les endroits poussiéreux.

⚠ AVERTISSEMENT : Dégagez tous les obstacles et les objets massifs de la zone de travail.

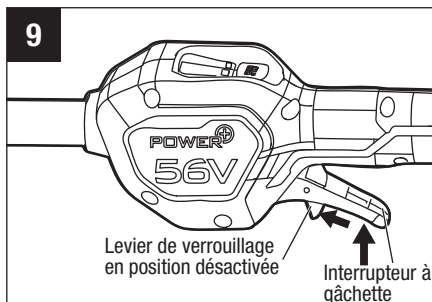
Tenez le coupe-bordure avec votre main droite sur la poignée arrière et votre main gauche sur la poignée avant. Gardez une prise ferme avec les deux mains pendant l'utilisation de la machine. Le coupe-bordure doit être tenu dans une position confortable, la poignée arrière se trouvant à peu près à hauteur des hanches (Fig. 8).



DÉMARRAGE/ARRÊT DU COUPE-BORDURE

Pour mettre en marche (Fig. 9)

1. Déplacez le levier de verrouillage en position d'arrêt vers l'avant, puis appuyez sur l'interrupteur à gâchette pour faire démarrer le coupe-bordure.
2. La vitesse de rotation de la lame est contrôlée par l'interrupteur à gâchette. Plus l'interrupteur à gâchette est enfoncé, plus la vitesse de la lame est rapide. Réglez la vitesse en fonction de la tâche à accomplir.



AVIS : Le moteur ne démarre que lorsque le levier de verrouillage en position d'arrêt est déplacé vers l'avant et l'interrupteur à gâchette est enfoncé en même temps.

Pour arrêter

Éloignez la machine de l'endroit où elle se trouve pour couper une bordure et relâchez l'interrupteur à gâchette pour l'arrêter.

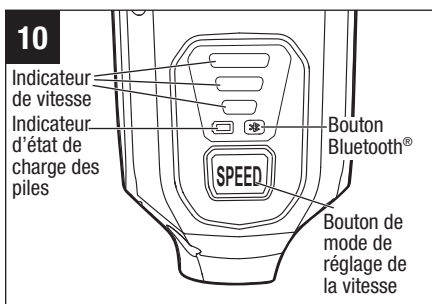
⚠ AVERTISSEMENT : Retirez toujours le bloc-piles de la machine pendant les pauses et après avoir fini votre travail.

CHANGEMENT DU MODE DE RÉGLAGE DE LA VITESSE (FIG. 10)

Cette machine dispose de trois modes de réglage de la vitesse.

Chaque fois que vous appuyez sur le bouton de mode de réglage de la vitesse, le mode de réglage de la vitesse change.

L'indicateur de vitesse affiche le mode de réglage de la vitesse actif : Une lumière pour la vitesse basse, deux lumières pour la vitesse moyenne, trois lumières pour la vitesse élevée. Le mode de vitesse lente permet un meilleur contrôle de la machine et une plus longue durée d'utilisation par charge.












L'indicateur de vitesse affiche le mode de réglage de la vitesse actif : Une lumière pour la vitesse basse, deux lumières pour la vitesse moyenne, trois lumières pour la vitesse élevée. Le mode de vitesse lente permet un meilleur contrôle de la machine et une plus longue durée d'utilisation par charge.

AVIS : Le mode de vitesse peut être réglé avant la mise en marche de la machine OU pendant le fonctionnement. Lorsque la machine est redémarrée après une pause, le mode de vitesse revient à la vitesse précédente.

INDICATEUR D'ÉTAT DE CHARGE DE LA PILE ET INDICATEUR DE VITESSE (FIG. 10)

L'indicateur d'état de charge des piles indique le niveau de charge et l'état de fonctionnement du bloc-piles, et l'indicateur de vitesse indique l'état de fonctionnement de la machine, comme indiqué sur la liste ci-dessous. L'indicateur d'état de charge de la pile et l'indicateur de vitesse s'allument lorsque la machine est mise en marche.

Voyants lumineux		Signification
Indicateur d'état de charge de la pile	Allumé continuellement en vert	 Niveau de charge de la pile de 20 % à 100 %
	Clignotant en vert	 Niveau de charge de la pile de 10 % à 20 %
	Allumé continuellement en rouge	 Niveau de charge de la pile inférieur à 10 %
	Clignotant en rouge	 La charge du bloc-piles est presque complètement épuisée, et le bloc-piles doit être rechargé immédiatement.
	Allumé continuellement en orange	 Le bloc-piles est en état de surchauffe. Laissez le bloc-piles refroidir jusqu'à ce que la température descende en dessous de 67° C / 152° F. Voir la rubrique intitulée « Protection contre les températures élevées des piles » ci-dessous.
	Clignotant en rouge/vert en alternance	 Erreur électronique du bloc-piles. Remplacez le bloc-piles ou contactez le centre de service à la clientèle d'EGO. Voir la rubrique intitulée « Protection contre les erreurs de l'électronique des piles » ci-dessous.

Voyants lumineux		Signification
Indicateur de vitesse (l'illustration montre la vitesse élevée)	Allumé continuellement en vert	 La machine fonctionne correctement.
	Allumé continuellement en orange	 La machine est en état de surchauffe. Laissez la machine refroidir jusqu'à ce que la température descende en dessous de 80° C / 176° F. Voir la rubrique intitulée « Protection contre les températures élevées de la machine » ci-dessous.
	Clignotant en orange	 La machine est en état de surcharge. Voir la rubrique intitulée « Protection contre la surcharge de la machine » ci-dessous.

Protection contre les températures élevées des piles

Si la température des piles dépasse 70° C (158° F) en cours de fonctionnement, le circuit de protection contre les températures élevées arrête immédiatement la machine pour protéger les piles contre les dommages dus à la surchauffe. L'indicateur d'état de la pile s'allume et brille continuellement en orange. Relâchez la gâchette et attendez que la pile surchauffée refroidisse et que l'indicateur devienne vert, puis redémarrez la machine.

Protection contre les erreurs électroniques de la pile

Lorsque l'erreur électronique du bloc-pile se produit, le témoin d'état de charge de la pile clignote alternativement en rouge et vert, et la machine s'éteint au bout de trois secondes. Remplacez le bloc-piles ou contactez le centre de service à la clientèle d'EGO.

Protection contre la surcharge de la machine


Cette machine est dotée d'un circuit de protection contre les surcharges intégré. Lorsque la machine est en état de surcharge, le moteur s'arrête et l'indicateur d'état de charge de la pile clignote en orange. Retirez le bloc-piles de la machine, puis remettez-le en place et redémarrez la machine. Diminuez la charge sur le coupe-bordures. Coupez lentement et régulièrement pour éviter que le moteur ne s'embourbe. Laissez la machine faire le travail, ne forcez pas la lame du coupe-bordure à s'enfoncer dans le sol.

Protection contre les températures élevées de la machine

Si la température de la machine dépasse 90° C (194° F) en cours de fonctionnement, le circuit de protection contre les températures élevées arrête immédiatement la machine pour la protéger contre les dommages dus à la surchauffe. L'indicateur de vitesse s'allume et brille continuellement en orange. Relâchez la gâchette et attendez que la machine surchauffée refroidisse et que l'indicateur de vitesse devienne vert, puis redémarrez la machine.

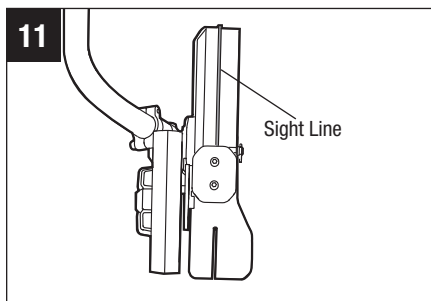
Technologie sans fil Bluetooth®

Les produits intégrant la technologie sans fil Bluetooth® peuvent se connecter à des appareils mobiles. Veuillez consulter le site www.egopowerplus.com/commercial pour obtenir des instructions sur l'utilisation de la fonction Bluetooth®.

Le symbole  Bluetooth® s'allume lorsque la machine est connectée à votre appareil mobile.

CONSEILS D'UTILISATION

- Ligne de mire
- Tenez et guidez le coupe-bordure de manière à ce que la lame soit verticale.
- Ne dépassez un rythme de marche normal pendant le fonctionnement de la machine.
- Coupez à un rythme régulier. Si la lame commence à s'enliser, c'est que vous coupez trop rapidement ; ralentissez donc votre rythme.
- Ne forcez pas la lame dans le sol. Un léger contact de la lame contre le bord du trottoir, le caniveau, etc. est acceptable et n'endommagera pas le coupe-bordure.
- Marchez toujours vers l'avant lorsque vous coupez, et faites avancer le coupe-bordure dans le même sens. Ne tirez pas le coupe-bordure vers vous.
- Utilisez la ligne de visée pour aligner la lame sur le bord du lit (Fig. 11).
- Le meilleur aspect est obtenu lorsque l'herbe est sèche. Évitez de couper les bordures dans un sol ou un gazon humide, sinon le dispositif de protection de la lame risque de se boucher et de produire des bordures irrégulières. Si le dispositif de protection de la lame est obstrué, arrêtez le moteur, retirez le bloc-piles et retirez les débris du dispositif de protection de la lame.



MAINTENANCE

⚠ AVERTISSEMENT : Lors de toute réparation, n'utilisez que des pièces de rechange identiques. L'utilisation de toutes autres pièces de rechange pourrait créer un danger ou endommager le produit. Pour assurer la sécurité et la fiabilité, toutes les réparations doivent être effectuées par un technicien de service qualifié.

⚠ AVERTISSEMENT : Les machines alimentées par des piles n'ont pas besoin d'être branchées dans une prise de courant ; elles sont donc toujours en état de marche. Pour éviter tout risque de blessure grave, prenez des précautions supplémentaires lorsque vous effectuez une opération d'entretien ou de maintenance, ou lorsque vous changez l'attachement de coupe ou d'autres attachements.

⚠ AVERTISSEMENT : Pour éviter toute blessure grave, retirez le bloc-piles du coupe-bordure avant de l'entretenir, de le nettoyer ou de changer des attachements, ou lorsque le produit n'est pas utilisé.

MAINTENANCE GÉNÉRALE

Évitez d'utiliser des solvants lorsque vous nettoyez des pièces en plastique. La plupart des plastiques sont susceptibles d'être endommagés par divers types de solvants commerciaux, et ils pourraient l'être si vous les utilisez. Utilisez un chiffon propre pour retirer les saletés, la poussière, l'huile, la graisse, etc.

⚠ AVERTISSEMENT : Ne laissez jamais de liquide de frein, d'essence, de produits à base de pétrole, d'huiles pénétrantes, etc. entrer en contact avec des composants en plastique. Les produits chimiques peuvent endommager, affaiblir ou détruire le plastique, ce qui pourrait causer des blessures graves.

⚠ AVERTISSEMENT : Lors du nettoyage du coupe-bordures, NE l'immergez PAS dans l'eau ou dans d'autres liquides. Toutes les opérations d'entretien du coupe-bordure, autres que celles énumérées dans les présentes instructions d'entretien, doivent être effectuées par un personnel d'entretien compétent.

REMPACEMENT DE LA LAME

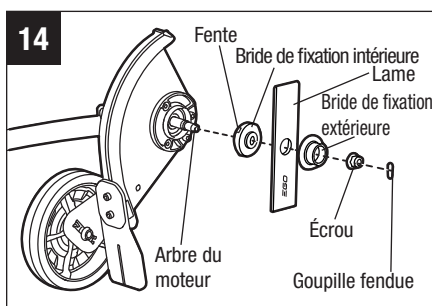
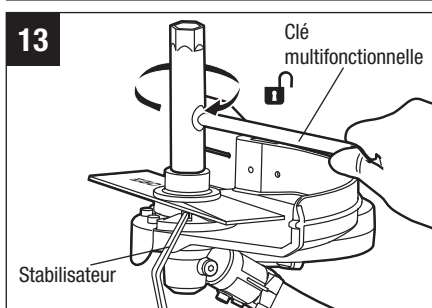
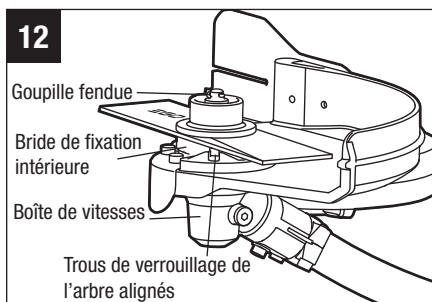
⚠ AVERTISSEMENT : N'essayez pas de redresser ou de souder une lame pliée ou fissurée. Une telle lame peut se briser et elle doit alors être remplacée. Nous recommandons de la remplacer uniquement par une lame de coupe-bordure EGO™.

AVIS : Remplacez la lame si sa longueur n'est plus suffisante pour maintenir la garde au sol nécessaire et obtenir la profondeur de coupe requise.

⚠ AVERTISSEMENT: Protégez toujours vos mains en portant des gants épais ou envelopper la lame avec des chiffons ou d'autres matériaux lors de l'entretien de la lame du coupe-bordures.

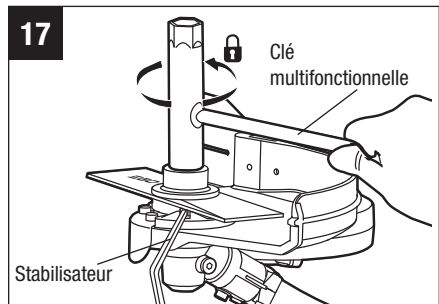
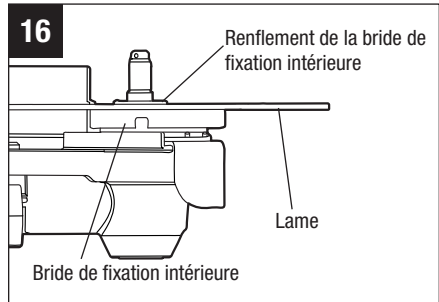
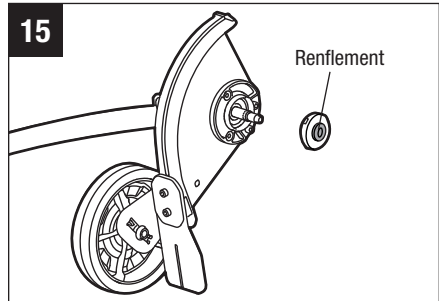
Retrait de la lame

1. Arrêtez le moteur et retirez le bloc-piles.
2. Posez le coupe-bordure sur le dos de manière à ce que la lame soit orientée vers le haut.
3. Portez des gants de protection. Utilisez une pince à bec effilé (non fournie) pour retirer la goupille fendue de l'arbre du moteur (Fig. 12).
4. Faites tourner la lame pour aligner la fente de la bride sur le trou de la boîte à engrenages (Fig. 12).
5. Insérez une tige en acier dans les trous alignés afin qu'elle serve de stabilisateur. Utilisez la clé multifonctionnelle pour desserrer l'écrou **DANS LE SENS DES AIGUILLES D'UNE MONTRE** (Fig. 13).
6. Retirez l'écrou, la bride extérieure, la lame et la bride intérieure de l'arbre du moteur (Fig. 14). Vérifiez et remplacez-les si elles sont usées.



Pour installer la lame

1. Retirez le bloc-piles.
2. Placez la bride intérieure sur l'arbre du moteur, le renflement de la bride de fixation intérieure étant tourné vers l'extérieur (Fig. 15).
3. Installez la nouvelle lame sur le renflement de la bride de fixation intérieure, en veillant à ce que la lame soit bien fixée à sa place.
4. Montez la bride de fixation extérieure et l'écrou sur l'arbre, et serrez l'écrou à la main **DANS LE SENS CONTRAIRE DES AIGUILLES D'UNE MONTRE**.
5. Suivez les étapes 4 et 5 de la section intitulée « Retrait de la lame » ci-dessus pour bloquer la rotation de la lame afin de serrer fermement l'écrou **DANS LE SENS CONTRAIRE DES AIGUILLES D'UNE MONTRE**.
6. Insérez une tige d'acier, telle qu'une mèche de perceuse, d'un diamètre d'environ 4 mm / 5/32 po dans les trous alignés pour servir de stabilisateur. Utilisez la clé multifonctionnelle fournie pour desserrer l'écrou en tournant **DANS LE SENS DES AIGUILLES D'UNE MONTRE** (Fig. 12).
7. Insérez une nouvelle goupille fendue (\varnothing 2x16 mm, non fournie) dans le trou de l'arbre du moteur. Pliez les deux extrémités de la goupille dans des directions opposées à l'aide d'une pince à bec effilé (non fournie) (voir Fig. 12).



REPLACEMENT D'AUTRES PIÈCES USÉES

Inspectez périodiquement le dispositif de protection pour vous assurer qu'il n'est pas excessivement usé. Faites remplacer un dispositif de protection contre l'usure par le service après-vente d'EGO dès que la boîte à engrenages devient visible (Fig. 18).

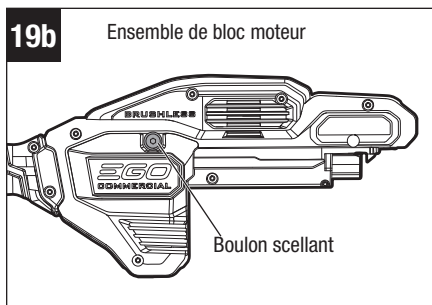
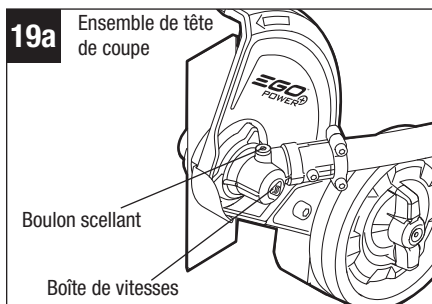
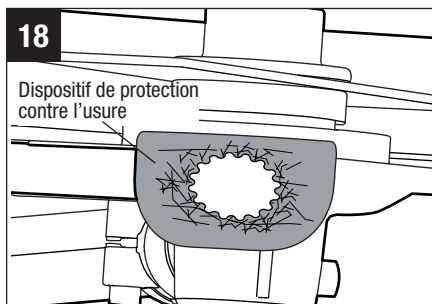
Faites remplacer un clapet antidébris ou une roue de guidage usé(e) par le Service à la clientèle d'EGO.

Dispositif de protection contre l'usure utilisé

Les engrenages de la boîte de vitesses dans les ensembles de tête de coupe et de bloc moteur doivent être lubrifiés périodiquement avec de la graisse pour engrenages. Vérifiez le niveau de graisse de la boîte de vitesses environ toutes les 50 heures de fonctionnement en retirant les deux boulons scellants (Fig. 19a & 19b).

Ne remplissez pas complètement la boîte de vitesses de graisse.

1. Arrêtez le moteur et retirez le bloc-piles.
2. En fonction du boulon que vous retirez, posez le coupe-bordure sur le dos ou tenez-le sur le côté de manière à ce que le boulon scellant devant être retiré soit orienté vers le haut.
3. Utilisez une clé hexagonale de 4 mm (non fournie) pour desserrer et retirer le boulon scellant illustré aux Fig. 19a & 19b.



4. Utilisez un pistolet à graisse (non inclus) pour injecter de la graisse dans le trou du boulon ; ne dépassez pas les 3/4 de la capacité.
5. Serrez le(s) boulon(s) scellant(s) après l'injection.

La graisse doit répondre aux exigences suivantes :

- Pénétration Grade NLGI : NLGI-1
- Type d'épaississeur : Ester
- Plage de températures de fonctionnement recommandée :
-40° C à 180° C / -40° F à 356° F
- En outre, la graisse doit également présenter d'excellentes propriétés de démarrage à basse température, d'EP, de cisaillement mécanique, de résistance à l'abrasion et de stabilité oxydative.

RANGEMENT DE L'ÉQUIPEMENT

- Détachez le bloc-piles du coupe-bordure.
- Nettoyez soigneusement la machine avant de la ranger.
- Rangez l'outil dans un endroit sec et bien aéré, verrouillé ou en hauteur, hors de portée des enfants. Ne rangez pas cet équipement sur des engrais, de l'essence ou d'autres produits chimiques, ou à proximité de ceux-ci.

RECHERCHE DE LA CAUSE DES PROBLÈMES

PROBLÈME	CAUSE	SOLUTION
Le moteur ne démarre pas.	<ul style="list-style-type: none"> ■ Le bloc-piles n'est pas fixé au coupe-bordure. ■ Aucun contact électrique n'existe entre le coupe-bordure et le bloc-piles. ■ Le bloc-piles est déchargé. ■ Le levier de verrouillage en position d'arrêt et l'interrupteur à gâchette ne sont pas enfoncés en même temps. 	<ul style="list-style-type: none"> ■ Attachez le bloc-piles au coupe-bordure. ■ Retirez la pile, vérifiez les contacts et réinstallez le bloc-piles jusqu'à ce qu'il s'enclenche. ■ Chargez le bloc-piles avec un chargeur EGO indiqué dans ce mode d'emploi. ■ Déplacez le levier de verrouillage en position d'arrêt vers l'avant et appuyez en même temps sur l'interrupteur à gâchette.
Le coupe-bordure s'arrête pendant le fonctionnement.	<ul style="list-style-type: none"> ■ Le moteur est en état de surcharge. Voir le chapitre "Protection contre les surcharges de la machine". ■ La batterie est trop chaude. Voir la rubrique intitulée « Protection contre les températures élevées des piles ». ■ La machine est trop chaude. Voir la rubrique intitulée « Protection contre les températures élevées de la machine ». ■ Le bloc-piles est déconnecté de la machine. ■ Le bloc-piles est déchargé. 	<ul style="list-style-type: none"> ■ Le moteur pourra recommencer à fonctionner dès que la charge aura été retirée. Pour pouvoir effectuer un travail continu, diminuez la charge sur le coupe-bordure. ■ Retirez la pile et laissez le bloc-piles refroidir jusqu'à ce que la température descende en dessous de 67° C / 152° F. ■ Retirez la pile et laissez la machine refroidir jusqu'à ce que la température descende en dessous de 80° C / 176° F. ■ Réinstallez le bloc-piles. ■ Chargez le bloc-piles avec un chargeur EGO indiqué dans ce mode d'emploi.
Bord irrégulier.	<ul style="list-style-type: none"> ■ L'herbe ou le sol à couper est trop humide. ■ Le dispositif de protection de la lame est obstrué. 	<ul style="list-style-type: none"> ■ Évitez les bordures dans un sol ou un gazon humide. ■ Arrêtez le moteur, retirez le bloc-piles et enlevez les débris du dispositif de protection de la lame.

GARANTIE LIMITÉE D'EGO

CONDITIONS ET DURÉE DE LA POLITIQUE DE GARANTIE

Chervon North America, Inc. (« Chervon North America ») accorde la Garantie limitée suivante pour les produits EGO à l'acheteur initial de produits EGO.

CHERVON NORTH AMERICA NAPERVILLE, IL 60563

La période de garantie détaillée de chaque produit EGO est indiquée en ligne à l'adresse <http://egopowerplus.com/warranty-policy>.

Veillez contacter le Service à la clientèle d'EGO en téléphonant au 1-855-EGO-5656 (appel gratuit) à tout moment en cas de questions, si vous voulez vous prévaloir de la garantie ou si vous souhaitez obtenir une version sur papier de la garantie.

GARANTIE LIMITÉE DE SERVICE APRÈS-VENTE

Les produits EGO sont garantis contre tout défaut de matériel ou de fabrication à partir de la date d'achat au détail originale et pendant la période de garantie applicable. Pour toute demande de garantie soumise correctement et dans les délais, si Chervon North America détermine qu'un produit est défectueux pendant la période de garantie, le produit sera réparé ou remplacé gratuitement, selon ce qui aura été déterminé par Chervon North America.

COMMENT OBTENIR DE L'ASSISTANCE DANS LE CADRE DU SERVICE APRÈS-VENTE

Pour obtenir de l'assistance dans le cadre de la garantie (pendant la période de garantie applicable), veuillez contacter le service à la clientèle d'EGO en téléphonant au **1-855-EGO-5656** (appel gratuit). Lorsque vous demandez de l'assistance dans le cadre de la garantie, vous devez présenter le reçu de vente original daté. Un centre de service après-vente agréé sera sélectionné pour évaluer et réparer le produit défectueux conformément aux conditions de garantie énoncées. Lorsque vous apportez votre produit au centre de service après-vente agréé, il se peut qu'une petite caution vous soit demandée lors du dépôt de votre outil. Cette caution est remboursable lorsque le service de réparation est considéré comme étant couvert par la garantie.

LIMITATIONS ET EXCLUSIONS SUPPLÉMENTAIRES

Cette garantie limitée ne s'applique qu'à l'acheteur initial d'un produit à un revendeur agréé EGO, et elle ne peut pas être cédée. Les produits EGO ne sont pas considérés comme défectueux et la présente garantie ne s'applique pas lorsque le défaut invoqué est imputable à une cause autre que les défauts définis ci-dessus. Cette garantie est nulle et non avenue si le produit a été utilisé à des fins de location. La présente garantie ne s'applique pas aux dommages causés par un accident, un abus, une mauvaise utilisation, une altération, une modification, une réparation non autorisée, un contact avec un liquide, un incendie, un tremblement de terre ou toute autre cause externe ; par une utilisation du produit en dehors des instructions, spécifications ou directives d'EGO ; ou par un manquement à l'entretien ou à la maintenance convenable du produit. Cette garantie ne s'applique pas non plus aux dommages esthétiques, y compris, mais sans s'y limiter, les rayures ou les bosses, ainsi qu'aux défauts causés par l'usure normale ou autrement dus au vieillissement normal du produit.

CETTE GARANTIE EXPRESSE EST DONNÉE EN LIEU ET PLACE DE TOUTE AUTRE GARANTIE, EXPRESSE OU IMPLICITE, Y COMPRIS, MAIS SANS S'Y LIMITER, TOUTE GARANTIE DE QUALITÉ MARCHANDE OU D'ADÉQUATION À UN USAGE PARTICULIER, QUI EST REJETÉE. Toute garantie implicite, y compris la garantie de qualité marchande ou d'adéquation à un usage particulier qui ne peut être rejetée en vertu de la loi de l'État ou de la province est limitée à la période de garantie applicable définie au début de cet article. Le seul et unique recours en rapport avec l'achat, l'installation, l'utilisation et/ou la performance des produits EGO est la réparation ou le remplacement du produit selon la décision de Chervon North America. La responsabilité maximale de Chervon North America ne dépassera en aucun cas le prix d'achat payé pour le produit. CHERVON NORTH AMERICA NE SERA PAS RESPONSABLE ENVERS L'UTILISATEUR OU TOUTE AUTRE PERSONNE DES DOMMAGES CONSÉCUTIFS, ACCIDENTELS, SPÉCIAUX, EXEMPLAIRES, INDIRECTS OU PUNITIFS RÉSULTANT DE L'UTILISATION DES PRODUITS, Y COMPRIS, MAIS SANS S'Y LIMITER, LES PRÉJUDICES CORPORELS, LA MORT, LES DOMMAGES MATÉRIELS, LA PERTE DE BÉNÉFICES OU TOUT AUTRE DOMMAGE ÉCONOMIQUE. Cette garantie vous confère des garanties juridiques particulières, et vous pouvez aussi avoir d'autres droits, qui varient selon l'État ou la province. Étant donné que certains États et certaines provinces ne permettent pas de limitations quant à la durée d'une garantie implicite ou ne permettent pas l'exclusion ou la limitation des dommages indirects ou secondaires, ou le délai de prescription pour intenter certaines actions, il est possible que les limitations contenues aux présentes ne s'appliquent pas à consommateurs dans ces États ou provinces.

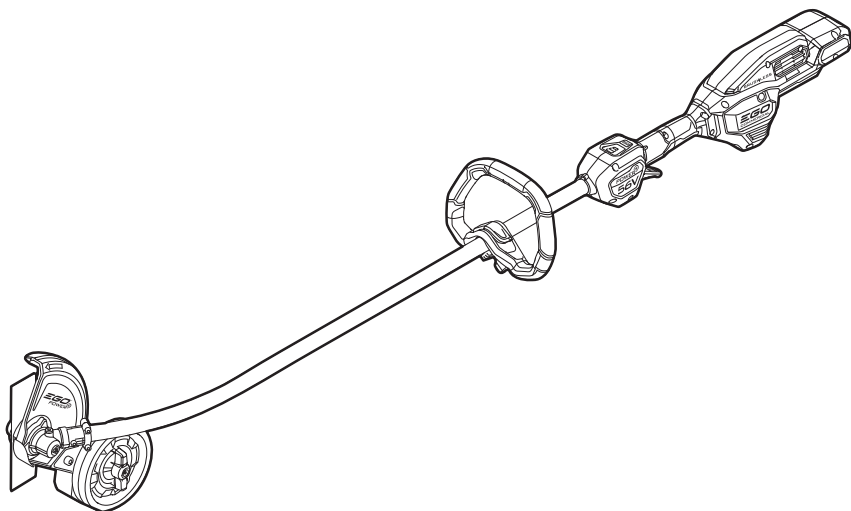


Cette garantie est soumise au droit du Michigan et doit être interprétée conformément au droit du Michigan sans tenir compte des principes de conflits de lois. Aucune action en justice ne pourra être intentée contre Chervon North America si elle n'est pas déposée dans un délai d'un (1) an après que le fondement de cette action en justice aura été connu, ou qu'il aurait dû l'être si une diligence raisonnable avait été exercée. Toute action non intentée dans les délais est réputée abandonnée.

Pour le service à la clientèle, contactez-nous en téléphonant au numéro suivant (appel gratuit) : **1-855-EGO-5656** ou **EGOPOWERPLUS.COM**.
EGO Customer Service,
769 Seward Ave. NW, Suite 102,
Grand Rapids, Michigan 49504.

EGO™

COMMERCIAL



MANUAL DEL OPERADOR

BORDEADORA DE EJE CURVO COMERCIAL DE 8 PULGADAS DE ION LITIO DE 56 V

MODELO NÚMERO EDX2000-C/EDX2000-C-FC

⚠ ADVERTENCIA: para reducir el riesgo de lesiones, el usuario debe leer y comprender el Manual del usuario antes de usar este producto. Guarde estas instrucciones para consultarlas en el futuro.

ÍNDICE

Declaración de la FCC	72
Símbolos de seguridad	73
Instrucciones de seguridad	74-79
Introducción	80
Especificaciones	80
Descripción	81-83
Ensamblaje	84-86
Utilización	87-93
Mantenimiento	94-98
Resolución de problemas	99
Garantía	100-102

¡LEA TODAS LAS INSTRUCCIONES!



LEA Y COMPRENDA
EL MANUAL DEL OPERADOR

⚠ ADVERTENCIA: Cierta polvo generado por el lijado, aserrado, amolado y taladrado con herramientas eléctricas, así como por otras actividades de construcción, contiene sustancias químicas que el estado de California sabe que causan cáncer, defectos congénitos u otros daños sobre la reproducción. Algunos ejemplos de estas sustancias químicas son:

- Plomo procedente de pinturas a base de plomo
- Sílice cristalina procedente de ladrillos y cemento, así como de otros productos de mampostería, y
- Arsénico y cromo procedentes de madera de construcción tratada químicamente.

El riesgo para usted por causa de estas exposiciones varía, dependiendo de qué tan a menudo realice este tipo de trabajo. Para reducir su exposición a estas sustancias químicas: trabaje en un área bien ventilada y trabaje con equipo de seguridad aprobado, tal como máscaras antipolvo que estén diseñadas especialmente para impedir mediante filtración el paso de partículas microscópicas.

DECLARACIÓN DE LA FCC

1. Este dispositivo cumple con la Parte 15 de las Reglas de la FCC. Su utilización está sujeta a las dos condiciones siguientes:
 - 1) Este dispositivo no podrá causar interferencia perjudicial.
 - 2) Este dispositivo debe aceptar cualquier interferencia que reciba, incluyendo interferencia que pueda causar un funcionamiento no deseado.
2. Los cambios o las modificaciones no aprobados expresamente por la parte responsable del cumplimiento de la normativa podrían anular la autoridad del usuario para utilizar el equipo.

AVISO: Este equipo ha sido sometido a pruebas y se ha demostrado que cumple con los límites para un dispositivo digital de Clase B, conforme a la Parte 15 de las Reglas de la FCC. Estos límites están diseñados para proporcionar una protección razonable contra la interferencia perjudicial en una instalación doméstica. Este equipo genera, utiliza y puede irradiar energía de radiofrecuencia y, si no se instala y se utiliza de acuerdo con las instrucciones, es posible que cause interferencia perjudicial para las radiocomunicaciones. Sin embargo, no hay garantía de que no se vaya a producir interferencia en una instalación en particular. Si este equipo efectivamente causa interferencia perjudicial para la recepción de radio o televisión, lo cual se puede determinar apagando y encendiendo el equipo, se insta al usuario a que intente corregir la interferencia mediante una o más de las siguientes medidas: Reoriente o reubique la antena receptora. Aumente la separación entre el equipo y el receptor. Conecte el equipo a un tomacorriente de un circuito diferente al circuito al cual el receptor esté conectado. Para obtener ayuda, consulte con el distribuidor o con un técnico de radio y televisión experimentado.

SÍMBOLOS DE SEGURIDAD

La finalidad de los símbolos de seguridad es atraer la atención del usuario hacia posibles peligros. Los símbolos de seguridad y las explicaciones que los acompañan merecen que usted preste una atención detenida y logre una comprensión profunda. Las advertencias con símbolo no eliminan por sí mismas ningún peligro. Las instrucciones y las advertencias que dan no son sustitutos de las medidas adecuadas de prevención de accidentes.

⚠️ ADVERTENCIA: Asegúrese de leer y entender todas las instrucciones de seguridad contenidas en este manual del operador, incluyendo todos los símbolos de alerta de seguridad, tales como “**PELIGRO**”, “**ADVERTENCIA**” y “**PRECAUCIÓN**”, antes de utilizar esta herramienta. Si no se siguen todas las instrucciones que se indican a continuación, es posible que el resultado sea descargas eléctricas, incendio y/o lesiones corporales graves.

SIGNIFICADO DE LOS SÍMBOLOS

⚠️ SÍMBOLO DE ALERTA DE SEGURIDAD: Indica **PELIGRO**, **ADVERTENCIA** o **PRECAUCIÓN**. Es posible que se utilice en combinación con otros símbolos o pictogramas.




⚠️ ¡ADVERTENCIA! La utilización de cualquier herramienta eléctrica puede hacer que se lancen objetos extraños hacia los ojos del operador, lo cual puede causar daños oculares graves. Antes de comenzar a utilizar una herramienta eléctrica, use siempre gafas de seguridad o anteojos de seguridad con escudos laterales y una careta completa cuando sea necesario. Recomendamos usar una máscara de seguridad de visión amplia sobre anteojos o gafas de seguridad estándar con escudos laterales. Use siempre protección ocular que esté marcada para cumplir con la norma ANSI Z87.1.

INSTRUCCIONES DE SEGURIDAD

Esta página muestra y describe los símbolos de seguridad que es posible que aparezcan en este producto. Lea, entienda y siga todas las instrucciones que se encuentran en la máquina antes de intentar ensamblarla y utilizarla.

	Alerta de seguridad	Indica un peligro potencial de lesiones corporales.
	Lea y entienda el manual del operador	Para reducir el riesgo de lesiones, el usuario debe leer y entender el manual del operador antes de utilizar este producto.
	Protección ocular	Use siempre anteojos de seguridad o gafas de seguridad con escudos laterales y una careta completa cuando utilice este producto.
	Bluetooth®	Símbolo de Bluetooth®
	Símbolos de reciclaje	Este producto utiliza baterías de ion litio (ion Li). Es posible que las leyes locales, estatales o federales prohíban la eliminación de las baterías en la basura ordinaria. Consulte a su autoridad local de eliminación de residuos para obtener información sobre las opciones de reciclaje y/o eliminación disponibles.
IPXX	Grado de protección contra la penetración (IP)	Clasifica el grado de protección proporcionado por un recinto cerrado para equipos eléctricos.
V	Voltio	Tensión
mm	Milímetro	Longitud o tamaño
cm	Centímetro	Peso
in.	Pulgada	Tipo o característica de corriente
kg	Kilogramo	Peso
lb	Libra	Peso

	Corriente continua	Tipo o característica de corriente
°C	Grados Celsius	Temperatura
°F	Grados Fahrenheit	Temperatura

INSTRUCCIONES DE SEGURIDAD IMPORTANTES

⚠ ¡ADVERTENCIA! Cuando utilice una máquina eléctrica de jardinería, se deberán seguir siempre precauciones básicas de seguridad para reducir el riesgo de incendio, descargas eléctricas y lesiones corporales, incluyendo las siguientes:

¡LEA TODAS LAS INSTRUCCIONES ANTES DE UTILIZAR ESTE PRODUCTO!

⚠ ¡PELIGRO! No confíe en el aislamiento de la máquina contra las descargas eléctricas. Para reducir el riesgo de electrocución, no utilice nunca la máquina en las proximidades de alambres o cables que puedan llevar corriente eléctrica.

⚠ ¡PRECAUCIÓN! Use protección personal adecuada de la audición durante la utilización de la herramienta. En algunas condiciones y duraciones de uso, es posible que el ruido causado por este producto contribuya a la pérdida de audición.

- **Evite los entornos peligrosos:** No utilice aparatos eléctricos en lugares húmedos o mojados.
- **Evite los entornos peligrosos:** No utilice aparatos eléctricos en lugares húmedos o mojados.
- **Vístase adecuadamente:** No se ponga ropa holgada ni joyas. La ropa holgada y las joyas pueden quedar atrapadas en las piezas móviles. Se recomienda usar guantes de caucho y calzado resistente cuando se trabaje a la intemperie. Use una cubierta protectora del pelo para sujetar el pelo largo.
- **Use anteojos de seguridad:** Use siempre una careta o una máscara antipolvo si la operación genera grandes cantidades de polvo.
- **Utilice el aparato eléctrico adecuado:** No utilice el aparato eléctrico para ningún trabajo que no sea aquel para el que está diseñado.
- **No fuerce el aparato eléctrico:** Este hará el trabajo mejor y con menos probabilidad de riesgo de lesiones a la capacidad nominal para la que fue diseñado.

- **No intente alcanzar demasiado lejos:** Mantenga un apoyo de los pies y un equilibrio adecuados en todo momento.
- **Manténgase alerta:** Fíjese en lo que está haciendo. Use el sentido común. No utilice un aparato eléctrico cuando esté cansado.
- **No utilice la bordeadora mientras esté bajo la influencia del alcohol o las drogas.**
- **Mantenga los protectores colocados en la posición correcta y en buenas condiciones de funcionamiento**
- **Mantenga afiladas las cuchillas.** Reemplace una cuchilla que esté desafilada o desgastada; no intente afilarla.
- **Mantenga las manos y los pies alejados del área de corte.**
- **Nunca se sitúe ni tenga alguna parte del cuerpo en línea con la trayectoria de la cuchilla de la bordeadora.**
- **No use la máquina bajo la lluvia.**
- **Guardé en un lugar interior los aparatos eléctricos inactivos:** Cuando no se estén utilizando, los aparatos eléctricos se deberán almacenar en un lugar interior seco y elevado o cerrado con llave, con el paquete de batería retirado y fuera del alcance de los niños.
- **Mantenga el aparato eléctrico con cuidado:** Mantenga el borde de corte afilado y limpio para obtener el mejor rendimiento y reducir el riesgo de lesiones. Siga las instrucciones de lubricación y cambio de accesorios. Mantenga las empuñaduras secas, limpias y libres de aceite y grasa.
- **Compruebe las piezas dañadas:** Antes de seguir utilizando el producto, un protector u otra pieza que presente daños se deberá comprobar cuidadosamente para determinar si funcionará correctamente y realizará su función prevista. Compruebe la alineación de las piezas móviles, si hay atoramiento de piezas móviles, si hay rotura de piezas, el montaje y cualquier otra situación que pueda afectar a su funcionamiento. Un protector u otra pieza que presente daños deberá ser reparado o reemplazado adecuadamente por un centro de servicio autorizado, a menos que se indique otra cosa en otro lugar de este manual.
- **Despeje el área que se vaya a cortar antes de cada uso.** Retire todos los objetos, tales como rocas, vidrio roto, clavos, alambres o hilos que puedan ser lanzados al aire o engancharse en el aditamento de corte.
- **Agarre siempre firmemente la bordeadora, con las dos manos en las empuñaduras, mientras la utiliza. Enrolle los dedos y los pulgares alrededor de las empuñaduras.**

- **Evite los arranques accidentales:** No transporte la bordeadora con el dedo en el gatillo.
- **No utilice la bordeadora en atmósferas gaseosas o explosivas.** Normalmente, los motores de estos aparatos eléctricos generan chispas y estas podrían incendiar los vapores.
- **No utilice la bordeadora en superficies de grava ni cerca de ellas.**
- **Daños a la bordeadora:** Si golpea un objeto extraño con la bordeadora, pare inmediatamente la máquina, compruebe si hay daños y haga que todos los daños sean reparados antes de intentar cualquier utilización adicional. No utilice la bordeadora con un protector roto o una cuchilla rota.
- **Reemplace inmediatamente una cuchilla agrietada, dañada o desgastada, incluso si los daños están limitados a grietas superficiales.** Es posible los aditamentos que estén en esas condiciones se rompan en pedazos a alta velocidad y causen lesiones graves o mortales.
- **No cargue el paquete de batería en la lluvia ni en lugares mojados.**
- **Utilice la bordeadora solo con los paquetes de batería y los cargadores que se indican a continuación:**

PAQUETE DE BATERÍA	CARGADOR
BA1400, BA1400-FC, BA2800, BA2800-FC, BA4200, BA4200-FC, BA1400T, BA1400T-FC, BA2242T, BA2242T-FC, BA2800T, BA2800T-FC, BA3360T, BA3360T-FC, BA4200T, BA4200T-FC, BA5600T, BA5600T-FC, BA6720T, BA6720T-FC	CH2100, CH2100-FC, CH3200, CH3200-FC, CH5500, CH5500-FC, CH2800D, CH2800D-FC, CH7000, CH7000-FC

- **No deseche la batería en un fuego.** Es posible que las celdas exploten. Consulte los códigos locales para obtener posibles instrucciones especiales de eliminación.
- **No abra ni mutile la batería.** El electrolito liberado es corrosivo y es posible que cause daños en los ojos o la piel. Puede que sea tóxico si se traga.
- **Tenga cuidado al manejar las baterías para no cortocircuitar la batería con materiales conductores, tales como anillos, pulseras y llaves.** Es posible que la batería o el conductor se sobrecaliente y cause quemaduras.
- **No utilice la cuchilla, el protector, la empuñadura auxiliar delantera ni ningún otro aditamento o accesorio que no esté recomendado por el fabricante de este producto.** El uso de aditamentos o accesorios no recomendados puede tener como resultado lesiones corporales graves.

- **Las máquinas a batería no tienen que enchufarse en un tomacorriente; por lo tanto, siempre están en condiciones de funcionamiento.** Este atento a los posibles peligros, incluso cuando la máquina no esté en funcionamiento. Tenga cuidado cuando realice mantenimiento o servicio de ajustes y reparaciones.
- **Retire o desconecte el paquete de batería antes de hacer servicio de ajustes y reparaciones, limpiar o retirar material del producto.**
- **No lave la unidad con una manguera; evite que entre agua en el motor y las conexiones eléctricas.**
- **No incinere el aparato eléctrico incluso si está severamente dañado. Las baterías pueden explotar en un fuego.**
- **Prevenga los arranques accidentales.** Asegúrese de que el interruptor esté en la posición de apagado antes de conectar el aparato eléctrico al paquete de batería, levantarlo o transportarlo. Si se transporta el aparato eléctrico con el dedo en el interruptor o si se suministra corriente a un aparato eléctrico que tenga el interruptor en la posición de encendido, se invita a que se produzcan accidentes.
- **Desconecte el paquete de batería del aparato eléctrico antes de hacer cualquier ajuste, cambiar accesorios o almacenar el aparato eléctrico.** Dichas medidas preventivas de seguridad reducen el riesgo de arrancar accidentalmente el aparato eléctrico.
- **Cuando el paquete de batería no se esté utilizando, manténgalo alejado de otros objetos metálicos, tales como clips sujetapapeles, monedas, llaves, clavos, tornillos u otros objetos metálicos pequeños que puedan hacer una conexión de un terminal con otro.** Si se cortocircuitan juntos los terminales de la batería, es posible que se causen quemaduras o un incendio.
- **En condiciones abusivas, es posible que se expulse líquido de la batería; evite el contacto.** Si se produce un contacto accidentalmente, enjuáguese con agua. Si el líquido entra en contacto con los ojos, obtenga además ayuda médica. Es posible que el líquido expulsado de la batería cause irritación o quemaduras.
- **No utilice un paquete de batería o un aparato eléctrico que estén dañados o modificados.** Es posible que las baterías dañadas o modificadas exhiban un comportamiento imprevisible que cause un incendio, una explosión o riesgo de lesiones.
- **No exponga un paquete de batería o un aparato eléctrico a un fuego o a una temperatura excesiva.** Es posible que la exposición a un fuego o a una temperatura superior a 265 °F (130 °C) cause una explosión.

- **Siga todas las instrucciones de carga y no cargue el paquete de batería ni el aparato eléctrico fuera del intervalo de temperatura especificado en las instrucciones.** Es posible que la realización de la carga de manera inadecuada o a temperaturas que estén fuera del intervalo especificado dañe la batería y aumente el riesgo de incendio.
- **Haga que el servicio de ajustes y reparaciones sea realizado por un técnico de reparaciones calificado que utilice únicamente piezas de repuesto idénticas.** Esto garantizará que se mantenga la seguridad del producto.
- **No modifique ni intente reparar el aparato eléctrico o el paquete de batería, excepto tal y como se indique en las instrucciones de uso y cuidado.**
- **Si se producen situaciones que no estén cubiertas en este manual, tenga cuidado y aplique un buen criterio. Contacte al Centro de Servicio al Cliente de EGO para obtener asistencia.**
- **Guarde estas instrucciones.** Consúltelas frecuentemente y úselas para instruir a otras personas que puedan utilizar esta máquina. Si le presta esta máquina a otra persona, préstele también estas instrucciones para evitar un uso incorrecto del producto y posibles lesiones.

¡GUARDE ESTAS INSTRUCCIONES!

INTRODUCCIÓN


Felicitaciones por su selección de la bordeadora COMERCIAL EGO de ion litio de 56 V. Esta bordeadora ha sido diseñada, concebida y fabricada para ofrecerle a usted la mejor confiabilidad y el mejor rendimiento posibles.

En caso de que tenga algún problema que no pueda resolver fácilmente, sírvase contactar al centro de servicio al cliente de EGO llamando al 1-855-EGO-5656.

Este manual contiene información importante sobre el ensamblaje, la utilización y el mantenimiento seguros de su producto. Léalo detenidamente antes de utilizar el producto. Tenga este manual al alcance de la mano para poder consultarlo en cualquier momento.

NÚMERO DE SERIE _____ FECHA DE COMPRA _____
DEBE ANOTAR EL NÚMERO DE SERIE Y LA FECHA DE COMPRA Y CONSERVARLOS EN UN LUGAR SEGURO PARA CONSULTARLOS EN EL FUTURO.

ESPECIFICACIONES

Tensión	56V 
Longitud de la cuchilla	8 pulgadas (203 mm)
Profundidad de bordeado	Hasta 3 pulgadas (76 mm)
Grado de protección contra la penetración	IPX5* (protegida contra los chorros de agua)
Temperatura de funcionamiento recomendada	32 – 104 °F (0 – 40 °C)
Temperatura de almacenamiento recomendada	-4 – 158 °F (-20 – 70 °C)
Peso (sin paquete de batería)	10,4 lb (4,7 kg)

NOTA: La calificación IPX5 se basa en que la máquina y la batería se utilicen juntas como un sistema.

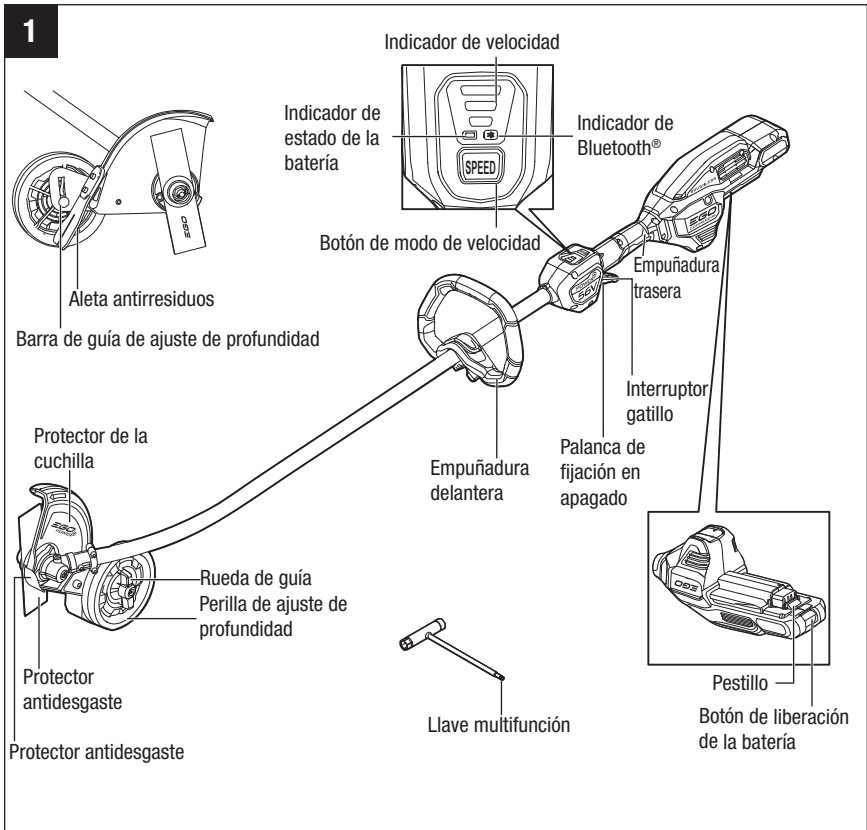
Accesorios recomendados

NOMBRE DE LA PIEZA	NÚMERO DE MODELO
Cuchilla de bordeadora	AEB0800

DESCRIPCIÓN

CONOZCA SU BORDEADORA (Fig. 1)

El uso seguro de este producto requiere entender la información que se encuentra en la máquina y en este manual del operador, así como tener conocimiento del proyecto que se esté intentando realizar. Antes de utilizar este producto, familiarícese con todas las características de funcionamiento y todas las normas de seguridad.



EMPUÑADURA DELANTERA

Para facilitar la utilización y ayudar a prevenir la pérdida de control.

EMPUÑADURA TRASERA

La empuñadura ergonómica con sobremoldura mejora la comodidad y el agarre.

PALANCA DE FIJACIÓN EN APAGADO

Ayuda a prevenir la activación accidental del gatillo. Se debe mover hacia delante antes de que se pueda activar el gatillo.

INTERRUPTOR GATILLO

Para encender y apagar la máquina y controlar la velocidad.

BOTÓN DE MODO DE VELOCIDAD

Cambia entre los modos de velocidad alta, intermedia y baja para las diferentes tareas que se vayan a realizar.

BOTÓN DE LIBERACIÓN DE LA BATERÍA

Libera el paquete de batería de la máquina.

PESTILLO

Fija el paquete de batería cuando este se instala en la máquina.

CUCHILLA

Esta cuchilla de acero corta maleza y plantas verdes blandas.

PROTECTOR DE LA CUCHILLA

Reduce el riesgo de lesiones por causa de objetos lanzados al aire y el contacto con la cuchilla.

PROTECTOR ANTIDESGASTE

Protege la caja de engranajes contra el desgaste.

ALETA ANTIRRESIDUOS

Reduce el riesgo de lesiones por causa de objetos lanzados hacia el operador.

PERILLA DE AJUSTE DE PROFUNDIDAD Y BARRA DE GUÍA DE AJUSTE DE PROFUNDIDAD

Ajusta de la profundidad de corte.

RUEDA DE GUÍA

Rueda sobre el terreno y mantiene la cuchilla de la bordeadora a la altura preajustada para la profundidad de corte requerida.

INDICADOR DE ESTADO DE LA BATERÍA

Indica el estado de la conexión Bluetooth®.

INDICADOR DE BLUETOOTH®

Indica el estado de la conexión Bluetooth®.

NOTA: La marca denominativa y los logotipos Bluetooth® son marcas registradas pertenecientes a Bluetooth SIG, Inc., y cualquier uso de dichas marcas por EGO es bajo licencia.

ENSAMBLAJE

⚠ ADVERTENCIA: Si alguna de las piezas está dañada o falta, no utilice este producto hasta que las piezas hayan sido reemplazadas. El uso de este producto con piezas dañadas o si le faltan piezas podría tener como resultado lesiones corporales graves.

⚠ ADVERTENCIA: No intente modificar este producto ni crear accesorios no recomendados para utilizarse con esta bordeadora. Cualquiera de dichas alteraciones o modificaciones constituye un uso incorrecto y podría provocar una situación peligrosa que cause lesiones corporales posiblemente graves.

⚠ ADVERTENCIA: No ajuste el protector de la cuchilla. El protector de la cuchilla ha sido ajustado en la fábrica de manera que la flecha ubicada en el protector de la cuchilla y el lado abierto apunten alejándose del operador. Esto garantiza que los pedazos cortados y otros residuos sean dirigidos alejándose de la máquina y del operador.

DESEMPAQUETADO

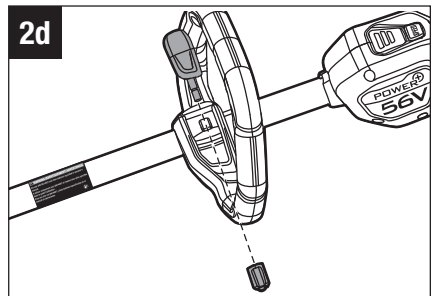
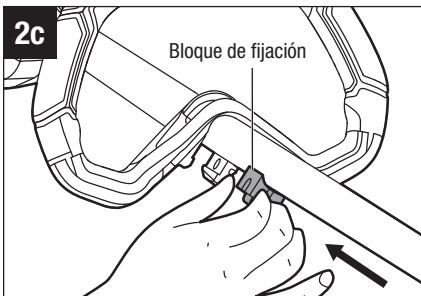
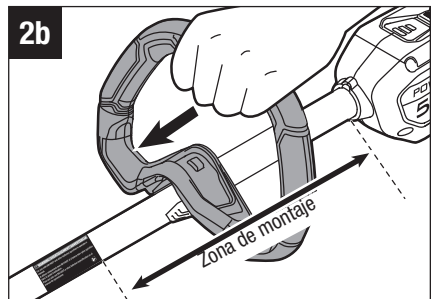
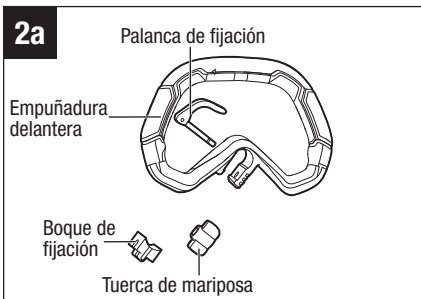
- Este producto requiere ensamblaje.
- Saque cuidadosamente el producto y todos los accesorios de la caja.
- Inspeccione minuciosamente la máquina para asegurarse de que no se hayan producido roturas o daños durante el envío.
- No deseche el material de empaquetamiento hasta que haya inspeccionado minuciosamente y utilizado satisfactoriamente la máquina.
- Si alguna de las piezas está dañada o falta, sírvase devolver el producto al lugar de compra.

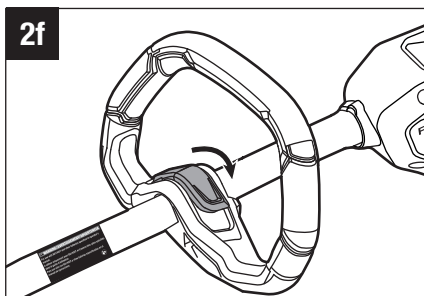
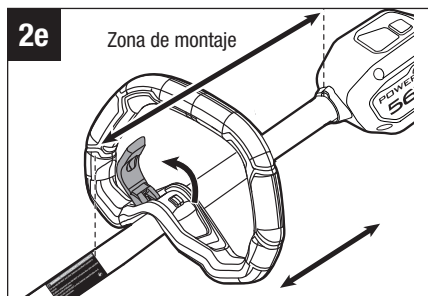
LISTA DE EMPAQUETAMIENTO

NOMBRE DE LA PIEZA	CANTIDAD
Bordeadora	1
Empuñadura delantera	1
Llave multifunción	1
Manual del operador	1

MONTAJE Y AJUSTE DE LA EMPUÑADURA DELANTERA

1. Pare el motor y retire el paquete de batería.
2. Afloje la tuerca de mariposa y retírela con la palanca de fijación y el bloque de fijación de la empuñadura delantera (Fig. 2a).
3. Posicione la parte inclinada de la empuñadura hacia arriba, hacia la empuñadura trasera. Empuje la empuñadura sobre el eje dentro de la zona de montaje, de la manera que se muestra en la Fig. 2b.
4. Inserte el bloque de fijación en la ranura de la empuñadura (Fig. 2c), monte la palanca de fijación y apriete la tuerca de mariposa (Fig. 2d).
5. Jale hacia arriba la palanca de fijación para mover/rotar la empuñadura hasta a posición de utilización cómoda, dentro de la zona de montaje, de la manera que se muestra en la Fig. 2e.
6. Pliegue la palanca de fijación para fijar la empuñadura en la posición correcta (Fig. 2f).





UTILIZACIÓN

⚠ ADVERTENCIA: No deje que la familiaridad con este producto le haga descuidarse. Recuerde que una fracción de segundo de descuido es suficiente para causar lesiones graves.

⚠ ADVERTENCIA: Use siempre protección ocular que esté marcada para cumplir con la norma ANSI Z87.1; use también protección de la audición. Si no se hace así, el resultado podría ser que se lancen objetos hacia los ojos del operador y otras posibles lesiones graves.

⚠ ADVERTENCIA: Para prevenir lesiones corporales graves, retire el paquete de batería de la máquina antes de hacer servicio de ajustes y reparaciones, realizar limpieza, cambiar aditamentos o retirar material de la unidad.

APLICACIONES

Usted puede utilizar este producto para los propósitos que se indican a continuación:

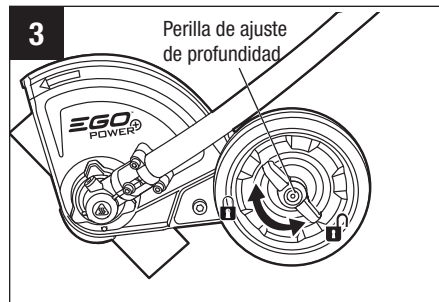
- Bordeado alrededor de pasarelas, orillas de acera, lechos de flores y otras áreas similares.

Antes de cada uso, compruebe si hay piezas dañadas/desgastadas

Compruebe la cuchilla, el protector y la empuñadura delantera, y reemplace toda pieza que esté agrietada, arqueada, doblada o dañada de alguna manera.

AJUSTE DE LA PROFUNDIDAD DE CORTE

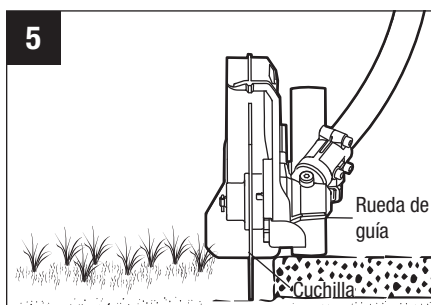
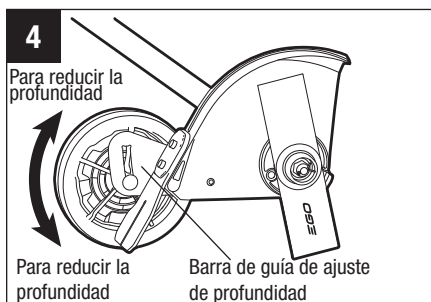
1. Pare el motor y retire el paquete de batería.
2. Afloje la perilla de ajuste de profundidad EN SENTIDO CONTRARIO AL DE LAS AGUJAS DEL RELOJ (Fig. 3).



- Mueva la rueda de guía, junto con la barra de guía de ajuste de profundidad, hacia arriba para aumentar la profundidad de corte o hacia abajo para reducir dicha profundidad (Fig. 4).

La profundidad de corte correcta depende de la desigualdad del terreno, la altura del operador y la manera en que este agarre la bordeadora. Siga estos pasos:

- Ajuste la rueda de guía de manera que la cuchilla justo toque el terreno o rompa la superficie de la tierra (Fig. 5).
- Apriete firmemente la perilla de ajuste de profundidad EN EL SENTIDO DE LAS AGUJAS DEL RELOJ.
- Situándose de pie en la posición de trabajo normal, compruebe de nuevo la profundidad de corte y corríjala si es necesario.

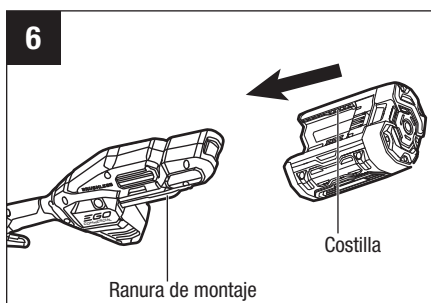


INSTALACIÓN/DESINSTALACIÓN DE LA BATERÍA

NOTA: Cargue completamente el paquete de batería antes del primer uso.

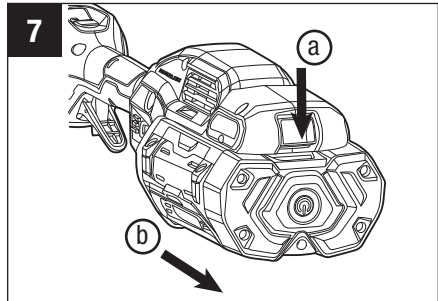
Para instalar (Fig. 6)

Alinee las costillas de la batería con las ranuras de montaje ubicadas en el puerto de la batería de la máquina y deslice el paquete de batería hasta que se acople a presión en la posición correcta.



Para desinstalar (Fig. 7)

⚠ ADVERTENCIA: Esté atento siempre a la ubicación de los pies, los niños o los animales domésticos cuando presione el botón de liberación de la batería. Se podrían producir lesiones graves si el paquete de batería se cae. No retire NUNCA el paquete de batería en una ubicación elevada.



- Presione el botón de liberación de la batería y el paquete de batería se desacoplará del pestillo.
- Agarre el paquete de batería y retírelo de la máquina.

CÓMO AGARRAR LA BORDEADORA

⚠ ADVERTENCIA: Vístase adecuadamente para reducir el riesgo de lesiones cuando utilice esta máquina. No use ropa holgada ni joyas. Use protección ocular y de la audición. Use pantalones largos gruesos, botas y guantes. No use pantalones cortos o sandalias, ni vaya descalzo. Use una careta o una máscara antipolvo en ubicaciones con grandes cantidades de polvo.

⚠ ADVERTENCIA: Retire todos los obstáculos y objetos sólidos del área de trabajo.

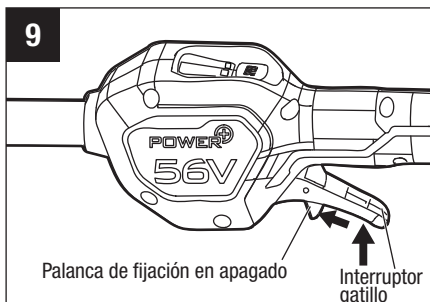


Agarre la bordeadora con la mano derecha en la empuñadura trasera y la mano izquierda en la empuñadura delantera. Mantenga un agarre firme con las dos manos mientras utiliza la máquina. La bordeadora se deberá sostener en una posición cómoda con la empuñadura trasera aproximadamente a la altura de las caderas (Fig. 8).

ARRANQUE/PARADA DE LA BORDEADORA

Para arrancar (Fig. 9)

1. Mueva hacia delante la palanca de fijación en apagado y luego presione el interruptor gatillo para arrancar la bordeadora.
2. La velocidad rotacional de la cuchilla es controlada con el interruptor gatillo. Cuanto más se presione el interruptor gatillo, más rápida será la velocidad de la cuchilla. Ajuste la velocidad para adaptarse a la tarea que se esté realizando.



AVISO: El motor arranca solo al mover hacia delante la palanca de fijación en apagado y presionar al mismo tiempo el interruptor gatillo.

Para parar

Mueva la máquina alejándola del punto que se esté bordeando y suelte el interruptor gatillo para detenerla.

⚠ ADVERTENCIA: Retire siempre el paquete de batería de la máquina durante las pausas de descanso del trabajo y después de acabar el trabajo.

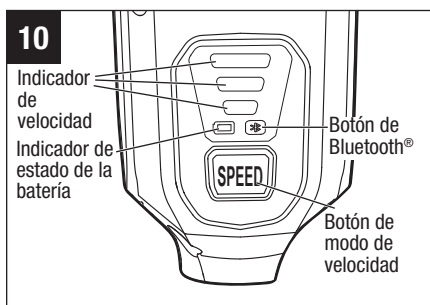
CAMBIO DEL MODO DE VELOCIDAD (FIG. 10)

Esta máquina cuenta con tres modos de velocidad.

Cada vez que se presione el botón de modo de velocidad, el modo de velocidad cambiará.


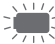

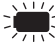


El indicador de velocidad muestra el modo de velocidad activo: Una luz para velocidad baja, dos luces para velocidad intermedia y tres luces para velocidad alta. El modo de velocidad baja proporciona un mejor control de la máquina y un tiempo de funcionamiento más prolongado por carga.




NOTA: El modo de velocidad se puede ajustar antes de encender la máquina o durante su utilización. Cuando la máquina se reanuda después de una pausa, el modo de velocidad regresará a la velocidad previa.



INDICADOR DE ESTADO DE LA BATERÍA E INDICADOR DE VELOCIDAD (FIG. 10)

El indicador de estado de la batería muestra el nivel de carga y el estado de funcionamiento del paquete de batería, y el indicador de velocidad muestra el estado de funcionamiento de la máquina, tal y como se muestra en el cuadro que aparece a continuación. El indicador de estado de la batería y el indicador de velocidad se iluminarán al arrancar la máquina.

Luces indicadoras		Significado
Indicador de estado de la batería	Verde continuo	 Nivel de carga de la batería del 20% al 100%
	Verde parpadeante	 Nivel de carga de la batería del 10% al 20%
	Rojo continuo	 Nivel de carga de la batería de menos del 10%
	Rojo parpadeante	 La carga del paquete de batería está casi agotada y es necesario cargar inmediatamente dicho paquete.
	Naranja continuo	 El paquete de batería está sobrecalentado. Enfríe el paquete de batería hasta que la temperatura descienda por debajo de 152 °F (67 °C). Consulte " Protección contra altas temperaturas de la batería " más adelante.
	Rojo/verde parpadeante alternadamente	 Error del sistema electrónico del paquete de batería. Reemplace el paquete de batería o contacte a un centro de servicio al cliente de EGO. Consulte " Protección contra errores del sistema electrónico de la batería " más adelante.

Luces indicadoras		Significado	
Indicador de velocidad (la ilustración muestra la alta velocidad)	Verde continuo		La máquina está funcionando correctamente.
	Naranja continuo		La máquina está sobrecalentada. Enfríe la máquina hasta que la temperatura descienda por debajo de 176 °F (80 °C). Consulte "Protección contra altas temperaturas de la máquina" más adelante.
	Naranja parpadeante		La máquina está sobrecargada. Consulte "Protección contra sobrecargas de la máquina" más adelante.

Protección contra altas temperaturas de la batería

Si la temperatura de la batería excede 158 °F (70 °C) durante la utilización de la máquina, el circuito de protección contra altas temperaturas apagará inmediatamente la máquina para proteger el paquete de batería contra daños por sobrecalentamiento. El indicador de estado de la batería se iluminará en naranja continuo. Suelte el gatillo y espere hasta que la batería sobrecalentada se enfríe y el indicador se ponga verde, y luego rearranque la máquina.

Protección contra errores del sistema electrónico de la batería

Cuando se produzca un error del sistema electrónico del paquete de batería, el indicador de estado de la batería parpadeará en rojo/verde alternadamente y la máquina se apagará en 3 segundos. Reemplace el paquete de batería o contacte a un centro de servicio al cliente de EGO.

Protección contra sobrecargas de la máquina


Esta máquina cuenta con protección de circuitos contra sobrecargas incorporada. Cuando la máquina esté sobrecargada, el motor se detendrá y el indicador de estado de la batería parpadeará en naranja. Retire el paquete de batería de la máquina y luego reinstálelo y rearranque la máquina. Reduzca la carga de trabajo de la bordeadora. Corte de manera lenta y constante para evitar atorar el motor. Deje que la máquina haga el trabajo, no fuerce la cuchilla de la bordeadora contra el terreno.

Protección contra altas temperaturas de la máquina

Si la temperatura de la máquina excede 194 °F (90 °C) durante su utilización, el circuito de protección contra altas temperaturas apagará inmediatamente la máquina para prevenir daños por sobrecalentamiento. El indicador de velocidad se iluminará en naranja continuo. Suelte el gatillo y espere hasta que la máquina sobrecalentada se enfríe y el indicador de velocidad se ponga verde, y luego reorganice la máquina.

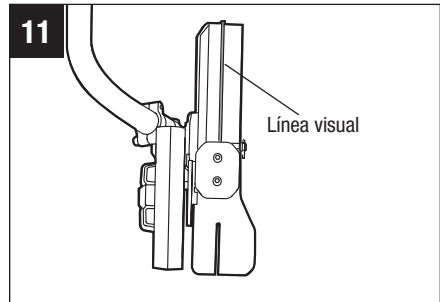
Tecnología inalámbrica Bluetooth®

Los productos con tecnología inalámbrica Bluetooth® incorporada se pueden conectar a dispositivos móviles. Sírvase visitar www.egopowerplus.com/commercial para obtener instrucciones sobre cómo utilizar la función Bluetooth®.

El símbolo  de Bluetooth® se ilumina cuando la máquina se conecta al dispositivo móvil del operador.

CONSEJOS DE UTILIZACIÓN

- Agarre y guíe la bordeadora de manera que la cuchilla esté vertical.
- Utilice la unidad a un ritmo que no sea mayor que el ritmo de caminar normal.
- Corte a un ritmo constante. Si la cuchilla comienza a atorarse, usted está bordeando demasiado rápidamente; reduzca el ritmo.
- No fuerce la cuchilla para que penetre en el piso. Un contacto ligero de la cuchilla contra el borde de la acera, la orilla de la acera, etc., es aceptable y no dañará la bordeadora.
- Camine siempre hacia delante cuando corte y mueva la bordeadora hacia delante. No jale la bordeadora hacia usted.
- Utilice la línea visual para alinear la cuchilla con el borde del lecho (Fig. 11).
- El mejor aspecto se obtiene cuando el pasto está seco. Evite bordear en áreas de tierra mojada o pasto mojado, ya que de lo contrario es posible que el protector de la cuchilla se obstruya y cause un borde desigual. Si el protector de la cuchilla se obstruye, pare el motor, retire el paquete de batería y elimine los residuos del protector de la cuchilla.



MANTENIMIENTO

⚠ ADVERTENCIA: Cuando haga servicio de ajustes y reparaciones, utilice únicamente piezas de repuesto idénticas. Es posible que el uso de cualquier otra pieza cree un peligro o cause daños al producto. Para garantizar la seguridad y la confiabilidad, todas las reparaciones deberán ser realizadas por un técnico de servicio calificado.

⚠ ADVERTENCIA: Las herramientas a batería no tienen que enchufarse en un tomacorriente; por lo tanto, siempre están en condiciones de funcionamiento. Para prevenir lesiones corporales graves, tome precauciones adicionales y tenga cuidado adicional cuando realice mantenimiento o servicio de ajustes y reparaciones, o cuando cambie el aditamento de corte u otros aditamentos.

⚠ ADVERTENCIA: Para prevenir lesiones corporales graves, retire el paquete de batería de la bordeadora antes de hacer servicio de ajustes y reparaciones o cambiar aditamentos adicionales, o cuando el producto no se esté utilizando.

MANTENIMIENTO GENERAL

Evite utilizar solventes cuando limpie piezas de plástico. La mayoría de los plásticos son susceptibles de sufrir daños causados por diversos tipos de solventes comerciales y es posible que resulten dañados por su uso. Use un paño limpio para retirar la suciedad, el polvo, el aceite, la grasa, etc.

⚠ ADVERTENCIA: No deje en ningún momento que líquidos de freno, gasolina, productos a base de petróleo, aceites penetrantes, etc., entren en contacto con las piezas de plástico. Las sustancias químicas pueden dañar, debilitar o destruir el plástico, lo cual puede causar lesiones corporales graves.

⚠ ADVERTENCIA: Cuando limpie la bordeadora, NO la sumerja en agua ni en otros líquidos. Todo el servicio de ajustes y reparaciones de la bordeadora, que no sean los artículos indicados en estas instrucciones de mantenimiento, deberá ser realizado por personal de servicio competente.

REEMPLAZO DE LA CUCHILLA

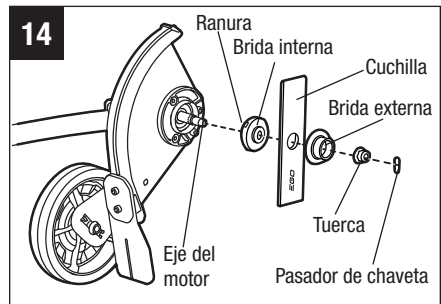
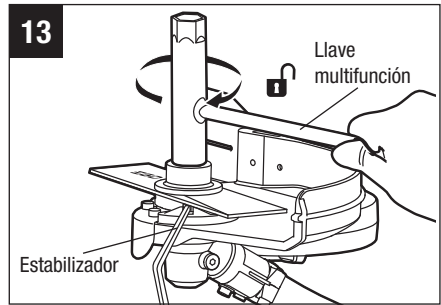
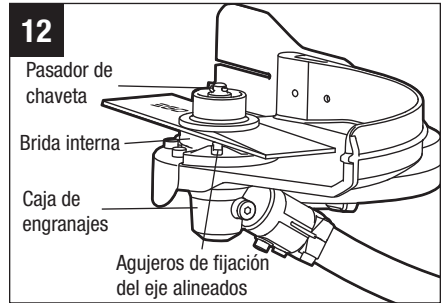
⚠ ADVERTENCIA: No intente enderezar o soldar una cuchilla doblada o agrietada. Es posible que dicha cuchilla se rompa y en ese caso debe ser reemplazada. Recomendamos reemplazarla solo por una cuchilla de bordeadora EGO™.

AVISO: Reemplace la cuchilla si su longitud ya no es suficiente para mantener la separación necesaria con el terreno y obtener la profundidad de corte requerida.

⚠ ADVERTENCIA: Siempre proteja sus manos usando guantes gruesos o envolver la cuchilla con trapos u otros materiales al realizar cualquier mantenimiento en la cuchilla de la bordeadora.

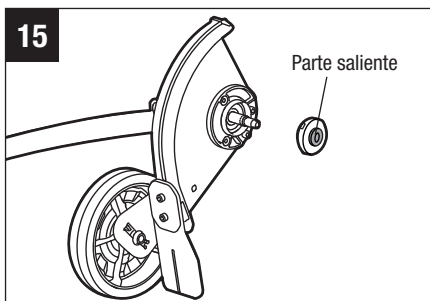
Para desinstalar la cuchilla

1. Pare el motor y retire el paquete de batería.
2. Acueste la bordeadora sobre su parte trasera de manera que la cuchilla esté orientada hacia arriba.
3. Póngase guantes protectores. Utilice unos alicates de punta fina (no incluidos) para retirar el pasador de chaveta del eje del motor (Fig. 12).
4. Rote la cuchilla para alinear la ranura de la brida con el agujero ubicado en la caja de engranajes (Fig. 12).
5. Inserte una varilla de acero en los agujeros alineados, para que actúe como estabilizador. Utilice la llave multifunción proporcionada para aflojar la tuerca EN EL SENTIDO DE LAS AGUJAS DEL RELOJ (Fig. 13).
6. Retire la tuerca, la brida externa, la cuchilla y la brida interna del eje del motor (Fig. 14). Compruébelas y reemplácelas si están desgastadas.

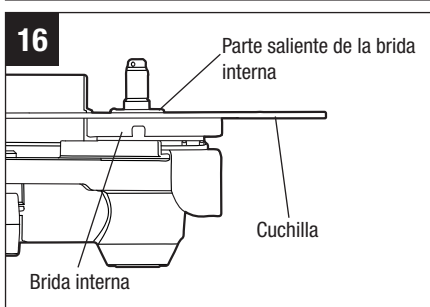


Para instalar la cuchilla

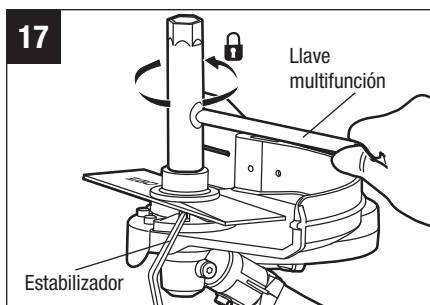
1. Retire el paquete de batería.
2. Ponga la brida interna en el eje del motor con la parte saliente de dicha brida orientada hacia arriba (Fig. 15).



3. Instale la cuchilla nueva sobre la parte saliente de la brida interna, asegurándose de que la cuchilla esté montada firmemente en su posición correcta.
4. Monte la brida externa y la tuerca en el eje, y apriete con los dedos la tuerca EN SENTIDO CONTRARIO AL DE LAS AGUJAS DEL RELOJ.



5. Siga los pasos 4 y 5 que anteceden en la sección "Para desinstalar la cuchilla" con el fin de bloquear la rotación de la cuchilla para apretar firmemente la tuerca EN SENTIDO CONTRARIO AL DE LAS AGUJAS DEL RELOJ.



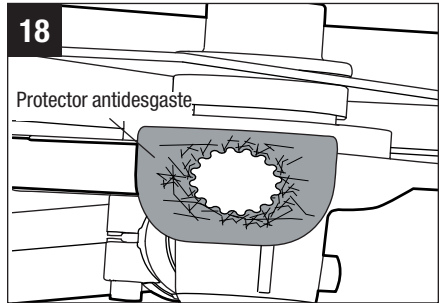
6. Inserte una varilla de acero, como por ejemplo una broca taladradora, con un diámetro de alrededor de 5/32 de pulgada (4 mm), en los agujeros alineados para que actúe como estabilizador. Utilice la llave multifunción suministrada para apretar firmemente la tuerca EN SENTIDO CONTRARIO AL DE LAS AGUJAS DEL RELOJ en el eje (Fig. 12).

7. Inserte un pasador de chaveta nuevo (Ø2x16 mm, no incluido) en el agujero ubicado en el eje del motor. Doble los dos extremos del pasador en sentidos opuestos con unos alicates de punta fija (no incluidos) (vea la Fig. 12).

REEMPLAZO DE OTRAS PIEZAS DESGASTADAS

Inspeccione periódicamente el protector antidesgaste. Si dicho protector está desgastado, haga que sea reemplazado por Servicio al Cliente de EGO en cuanto la caja de engranajes se vuelva visible (Fig. 18).

Haga que una aleta antirresiduos o una rueda de guía desgastadas sean reemplazadas por Servicio al Cliente de EGO.

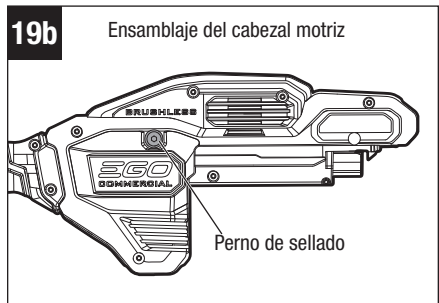
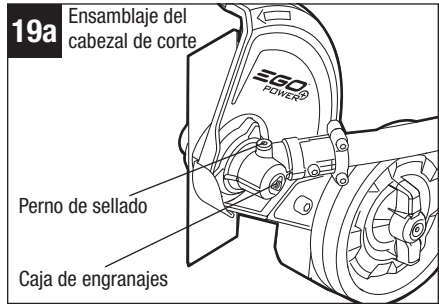


PROTECTOR ANTIDESGASTE DESGASTADO

Los engranajes de transmisión ubicados en los ensamblajes del cabezal de corte y del cabezal motriz necesitan ser lubricados periódicamente con grasa para engranajes. Añada grasa para cajas de engranajes después de aproximadamente cada 50 horas de funcionamiento retirando los pernos de sellado (Fig. 19a y 19b).

No llene completamente la caja de engranajes de transmisión.

1. Para el motor y retire el paquete de batería.
2. Dependiendo de qué perno esté retirando, acueste la bordeadora sobre su parte posterior o sosténgala sobre uno de sus lados, de manera que el perno de sellado que se vaya a retirar esté orientado hacia arriba.
3. Utilice una llave hexagonal de 4 mm (no incluida) para aflojar y retirar el perno de sellado mostrado en la Fig. 19a y 19b.



4. Utilice una jeringa de grasa (no incluida) para inyectar una pequeña cantidad de grasa en el agujero para el perno; no exceda 3/4 de la capacidad.
5. Apriete el perno (los pernos) de sellado después de la inyección.

La grasa deberá cumplir con los siguientes requisitos:

- Penetración de grado NLGI: NLGI-1
- Tipo de espesante: Éster
- Intervalo de temperatura de funcionamiento recomendado:
-40 a 356 °F (-40 a 180 °C)
- Además de lo anterior, la grasa deberá tener también excelentes propiedades de arranque a baja temperatura, PE, cizallamiento mecánico, resistencia a la abrasión y estabilidad oxidativa.

ALMACENAMIENTO DE LA UNIDAD

- Retire el paquete de batería de la bordeadora.
- Limpie minuciosamente la máquina antes de almacenarla.
- Almacene la unidad en un área seca y bien ventilada, cerrada con llave o elevada, fuera del alcance de los niños. No almacene la unidad sobre o adyacente a fertilizantes, gasolina u otras sustancias químicas.

RESOLUCIÓN DE PROBLEMAS

PROBLEMA	CAUSA	SOLUCIÓN
El motor no arranca.	<ul style="list-style-type: none"> ■ El paquete de batería no está instalado en la bordeadora. ■ No hay contacto eléctrico entre la bordeadora y el paquete de batería. ■ La carga del paquete de batería está agotada. ■ La palanca de fijación en apagado y el interruptor gatillo no se presionan simultáneamente. 	<ul style="list-style-type: none"> ■ Instale el paquete de batería en la bordeadora ■ Retire la batería, compruebe los contactos y reinstale el paquete de batería hasta que se acople a presión en la posición correcta. ■ Cargue el paquete de batería con los cargadores EGO indicados en este manual. ■ La palanca de fijación en apagado y el interruptor gatillo no se presionan simultáneamente.
La bordeadora se detiene durante su utilización.	<ul style="list-style-type: none"> ■ El motor está sobrecargado. Consulte el capítulo "Protección contra sobrecarga de la máquina". ■ El paquete de baterías está demasiado caliente. Consulte el capítulo "Protección de alta temperatura de la batería". ■ La máquina está sobrecalentada. Consulte el capítulo "Protección contra altas temperaturas de la máquina". ■ El paquete de batería está desconectado de la máquina. ■ La carga del paquete de batería está agotada. 	<ul style="list-style-type: none"> ■ El motor se recuperará cuando se retire la carga de trabajo. Para trabajar de manera continua, reduzca la carga de trabajo de la bordeadora. ■ Retire la batería y deje que el paquete de batería se enfríen hasta que la temperatura descienda por debajo de 152 °F (67 °C). ■ Retire la batería y enfríe la máquina hasta que la temperatura descienda por debajo de 176 °F (80 °C). ■ Reinstale el paquete de batería. ■ Cargue el paquete de batería con los cargadores EGO indicados en este manual.
Borde desigual.	<ul style="list-style-type: none"> ■ El pasto o la tierra que se están bordeando están demasiado mojados. ■ El protector de la cuchilla está obstruido. 	<ul style="list-style-type: none"> ■ Evite bordear en tierra mojada o pasto mojado. ■ Pare el motor, retire el paquete de batería y elimine los residuos del protector de la cuchilla.



GARANTÍA LIMITADA DE EGO

TÉRMINOS Y DURACIÓN DE LA PÓLIZA DE GARANTÍA

Chervon North America, Inc. (“Chervon North America”), proporciona la siguiente Garantía Limitada para los productos EGO al comprador original de productos EGO.

CHERVON NORTH AMERICA NAPERVILLE, IL 60563

El período de garantía detallado de cada producto EGO se puede encontrar en línea en <http://egopowerplus.com/warranty-policy>.

Sírvase contactar a Servicio al Cliente de EGO llamando gratis al 1-855-EGO-5656 en cualquier momento en que tenga preguntas o reclamos de garantía, o si desea obtener una copia impresa de la garantía.

GARANTÍA LIMITADA DE SERVICIO

Los productos EGO están garantizados contra defectos de material o de fabricación a partir de la fecha de compra minorista original durante el período de garantía aplicable. Para cualquier reclamo de garantía presentado de manera adecuada y oportuna, si Chervon North America determina que un producto presenta algún defecto durante el período de garantía, dicho producto recibirá una reparación o un remplazo gratuitos, según lo determine Chervon North America.

CÓMO OBTENER SERVICIO

Para obtener servicio de garantía, dentro del período de garantía aplicable, sírvase contactar a servicio al cliente de EGO llamando gratis al **1-855-EGO-5656**. Cuando solicite servicio de garantía, deberá presentar el recibo de venta fechado original. Se seleccionará un centro de servicio autorizado para evaluar y reparar el producto si el mismo presenta algún defecto de acuerdo con los términos establecidos en la garantía. Cuando lleve su producto al centro de servicio autorizado, es posible que se requiera un pequeño depósito cuando deje allí su herramienta. Este depósito es reembolsable cuando se considere que el servicio de reparaciones esté cubierto bajo garantía.

LIMITACIONES Y EXCLUSIONES ADICIONALES

Esta garantía limitada se aplica solo al comprador original que realice la compra a un minorista EGO autorizado y no es transferible. Los productos EGO no serán

considerados defectuosos, y esta garantía no se aplicará, en los casos en que el defecto por el que se presente el reclamo sea atribuible a cualquier causa que no sean los defectos definidos anteriormente en este documento. Esta garantía quedará anulada si el producto se ha utilizado para fines de alquiler. Esta garantía no se aplicará a daños causados por accidente, abuso, uso incorrecto, alteración, modificación, reparación no autorizada, contacto con líquidos, incendio, terremoto u otra causa externa; utilización del producto sin seguir las instrucciones, especificaciones o pautas de EGO; o no hacer servicio de ajustes y reparaciones o no mantener adecuadamente el producto. Esta garantía tampoco se aplica a los daños cosméticos, incluyendo, pero sin limitarse a ello, rasguñaduras o abolladuras; defectos causados por el desgaste por el uso normal o defectos que de alguna otra manera se deban al envejecimiento normal del producto.

ESTA GARANTÍA EXPRESA SE DA EN LUGAR DE TODAS LAS DEMÁS GARANTÍAS, EXPRESAS O IMPLÍCITAS, INCLUYENDO, PERO SIN LIMITARSE A ELLO, TODAS LAS GARANTÍAS DE COMERCIABILIDAD O IDONEIDAD PARA UN PROPÓSITO O USO ESPECÍFICO, LAS CUALES QUEDAN EXCLUIDAS. Todas las garantías implícitas, incluyendo las garantías de comerciabilidad o idoneidad para un propósito específico, que no se puedan excluir bajo la ley estatal, están limitadas al período de garantía aplicable definido al comienzo de este artículo. El remedio único y exclusivo en conexión con la compra, instalación, uso y/o rendimiento de los productos EGO es la reparación o el reemplazo del producto tal y como lo determine Chervon North America. La responsabilidad máxima de North America no excederá en ningún caso el precio de compra pagado por el producto. CHERVON NORTH AMERICA NO SERÁ RESPONSABLE ANTE EL USUARIO NI ANTE NADIE MÁS POR DAÑOS EMERGENTES, INCIDENTALES, ESPECIALES, EJEMPLARES, INDIRECTOS O PUNITIVOS QUE SURJAN DEL USO DE LOS PRODUCTOS, INCLUYENDO, PERO SIN LIMITARSE A ELLO, LESIONES CORPORALES, MUERTE, DAÑOS MATERIALES, GANANCIAS PERDIDAS U OTROS PERJUICIOS ECONÓMICOS. Esta garantía le confiere a usted derechos legales específicos y es posible que usted tenga también otros derechos que varían de un estado a otro. Algunos estados no permiten limitaciones en cuanto a la duración de una garantía implícita, la exclusión o limitación de los daños incidentales o emergentes, o las limitaciones al tiempo para emprender ciertas acciones legales, por lo que las limitaciones contenidas en el presente documento no se aplican a los consumidores individuales de esos estados.

Esta garantía está sujeta a la ley de Michigan y se interpretará de acuerdo con dicha ley, con independencia de los principios sobre conflictos de leyes. No se emprenderá ninguna acción legal contra Chervon North America a menos que se presente dentro



del plazo de un (1) año después de que se tenga conocimiento de la base de dicha acción legal o de la cual se debiera haber tenido conocimiento con el ejercicio de una diligencia razonable. Se considerará que se ha renunciado a cualquier acción legal que no se presente oportunamente.

Para obtener servicio al cliente, contáctenos llamando gratis al **1-855-EGO-5656** o en **EGOPOWERPLUS.COM**.

EGO Customer Service,
769 Seward Ave. NW, Suite 102,
Grand Rapids, Michigan 49504.

