

EXCLUSIVELY FOR USE WITH
EGO POWER+ POWER HEAD
PH1400/PH1400-FC/PH1420/PH1420-FC

Français p. 37

Español p. 77

OPERATOR'S MANUAL
**STRING TRIMMER
ATTACHMENT**

MODEL NUMBER STA1600/STA1600-FC

⚠ WARNING: To reduce the risk of injury, the user must read and understand the Operator's Manual before using this product. Save these instructions for future reference.

READ ALL INSTRUCTIONS!



READ & UNDERSTAND
OPERATOR'S MANUAL





TABLE OF CONTENTS

Safety Symbols	3
Symbols	4-5
General Safety Instructions	6-11
Introduction	12
Specifications	13
Packing List	13
Description	14-15
Assembly	16-18
Operation	19-25
Maintenance	26-30
Troubleshooting	31-34
EGO Limited Warranty	35-36

SAFETY SYMBOLS

The purpose of safety symbols is to attract your attention to possible dangers. The safety symbols and the explanations with them deserve your careful attention and understanding. The symbol warnings do not, by themselves, eliminate any danger. The instructions and warnings they give are no substitutes for proper accident prevention measures.

⚠ WARNING: Be sure to read and understand all safety instructions in this Operator’s Manual, including all safety alert symbols such as “**DANGER**”, “**WARNING**”, and “**CAUTION**” before using this machine. Failure to follow all instructions listed below may result in electric shock, fire, and/or serious personal injury.

The definitions below describe the level of severity for each signal word. Please read the manual and pay attention to these symbols.	
	This is the safety alert symbol. It is used to alert you to potential personal injury hazards. Obey all safety messages that follow this symbol to avoid possible injury or death.
	DANGER indicates a hazardous situation which, if not avoided, will result in death or serious injury.
	WARNING indicates a hazardous situation which, if not avoided, could result in death or serious injury.
	CAUTION, used with the safety alert symbol, indicates a hazardous situation which, if not avoided, will result in minor or moderate injury.

DAMAGE PREVENTION AND INFORMATION MESSAGES

These inform the user of important information and/or instructions that could lead to equipment or other property damage if they are not followed. Each message is preceded by the word “NOTICE”, as in the example below:

NOTICE: Equipment and/or property damage may result if these instructions are not followed.

SYMBOLS

This page depicts and describes safety symbols that may appear on this product. Read, understand, and follow all instructions on the machine before attempting to assemble and operate it.

	Safety Alert	Indicates a potential personal injury hazard.
	Read & Understand Operator's Manual	To reduce the risk of injury, user must read and understand the operator's manual before using this product.
	Wear Eye Protection	Always wear safety goggles or safety glasses with side shields and a full face shield when operating this product.
	Recycle Symbol	This product uses lithium-ion (Li-Ion) batteries. Local, state, or federal laws may prohibit disposal of batteries in ordinary trash. Consult your local waste authority for information regarding available recycling and/or disposal options.
	Beware of thrown objects	Alerts user to beware of thrown objects
	Disconnect battery before maintenance	Alerts user to disconnect battery before maintenance.
	Wear ear protection	Alerts user to wear ear protection
	Wear head protection	Alerts user to wear head protection

	<p>The distance between the machine and bystanders shall be at least 50 ft (15 m)</p>	<p>Alerts user to keep the distance between the machine and bystanders be at least 50 ft (15 m)</p>
	<p>Do not use metal blades</p>	<p>Alerts user not to use metal blades</p>
<p>IPX4</p>	<p>Ingress Protection Degree</p>	<p>Protection from splashing water</p>
<p>V</p>	<p>Volt</p>	<p>Voltage</p>
<p>mm</p>	<p>Millimeter</p>	<p>Length or size</p>
<p>cm</p>	<p>Centimeter</p>	<p>Length or size</p>
<p>in.</p>	<p>Inch</p>	<p>Length or size</p>
<p>kg</p>	<p>Kilogram</p>	<p>Weight</p>
<p>lb</p>	<p>Pound</p>	<p>Weight</p>
	<p>Direct Current</p>	<p>Type or a characteristic of current</p>

GENERAL SAFETY INSTRUCTIONS

⚠ WARNING! Read all safety warnings, instructions, illustrations and specifications provided with this power tool. Failure to follow all instructions listed below may result in electric shock, fire and/or serious injury.

SAVE ALL WARNINGS AND INSTRUCTIONS FOR FUTURE REFERENCE

The term “power tool” in the warnings refers to your mains-operated (corded) power tool or battery-operated (cordless) power tool.

Work area safety

- **Keep work area clean and well lit.** Cluttered or dark areas invite accidents.
- **Do not operate power tools in explosive atmospheres, such as in the presence of flammable liquids, gases or dust.** Power tools create sparks which may ignite the dust or fumes.
- **Keep children and bystanders away while operating a power tool.** Distractions can cause you to lose control.

Electrical safety

- **Power tool plugs must match the outlet. Never modify the plug in any way. Do not use any adapter plugs with earthed (grounded) power tools.** Unmodified plugs and matching outlets will reduce risk of electric shock.
- **Avoid body contact with earthed or grounded surfaces, such as pipes, radiators, ranges and refrigerators.** There is an increased risk of electric shock if your body is earthed or grounded.
- **Do not operate the machine in rain or wet conditions.** Water entering the machine may increase the risk of electric shock or malfunction that could result in personal injury.
- **Do not abuse the cord. Never use the cord for carrying, pulling or unplugging the power tool. Keep cord away from heat, oil, sharp edges or moving parts.** Damaged or entangled cords increase the risk of electric shock.
- **When operating a power tool outdoors, use an extension cord suitable for outdoor use.** Use of a cord suitable for outdoor use reduces the risk of electric shock.

- **If operating a power tool in a damp location is unavoidable, use a ground fault circuit interrupter (GFCI) protected supply.** Use of a GFCI reduces the risk of electric shock.

Personal safety

- **Stay alert, watch what you are doing and use common sense when operating a power tool. Do not use a power tool while you are tired or under the influence of drugs, alcohol or medication.** A moment of inattention while operating power tools may result in serious personal injury.
- **Use personal protective equipment. Always wear eye protection.** Protective equipment such as a dust mask, non-skid safety shoes, hard hat or hearing protection used for appropriate conditions will reduce personal injuries.
- **Prevent unintentional starting. Ensure the switch is in the off-position before connecting to power source and/or battery pack, picking up or carrying the tool.** Carrying power tools with your finger on the switch or energising power tools that have the switch on invites accidents.
- **Remove any adjusting key or wrench before turning the power tool on.** A wrench or a key left attached to a rotating part of the power tool may result in personal injury.
- **Do not overreach. Keep proper footing and balance at all times.** This enables better control of the power tool in unexpected situations.
- **Dress properly. Do not wear loose clothing or jewelry. Keep your hair and clothing away from moving parts.** Loose clothes, jewelry or long hair can be caught in moving parts.
- **If devices are provided for the connection of dust extraction and collection facilities, ensure these are connected and properly used.** Use of dust collection can reduce dust-related hazards.
- **Do not let familiarity gained from frequent use of tools allow you to become complacent and ignore tool safety principles.** A careless action can cause severe injury within a fraction of a second.

Power tool use and care

- **Do not force the power tool. Use the correct power tool for your application.** The correct power tool will do the job better and safer at the rate for which it was designed.

- **Do not use the power tool if the switch does not turn it on and off.** Any power tool that cannot be controlled with the switch is dangerous and must be repaired.
- **Disconnect the plug from the power source and/or remove the battery pack, if detachable, from the power tool before making any adjustments, changing accessories, or storing power tools.** Such preventive safety measures reduce the risk of starting the power tool accidentally.
- **Store idle power tools out of the reach of children and do not allow persons unfamiliar with the power tool or these instructions to operate the power tool.** Power tools are dangerous in the hands of untrained users.
- **Maintain power tools and accessories. Check for misalignment or binding of moving parts, breakage of parts and any other condition that may affect the power tool's operation. If damaged, have the power tool repaired before use.** Many accidents are caused by poorly maintained power tools.
- **Keep cutting tools sharp and clean.** Properly maintained cutting tools with sharp cutting edges are less likely to bind and are easier to control.
- **Use the power tool, accessories and tool bits etc. in accordance with these instructions, taking into account the working conditions and the work to be performed.** Use of the power tool for operations different from those intended could result in a hazardous situation.
- **Keep handles and grasping surfaces dry, clean and free from oil and grease.** Slippery handles and grasping surfaces do not allow for safe handling and control of the tool in unexpected situations.

Battery tool use and care

- **Recharge only with the charger specified by the manufacturer.** A charger that is suitable for one type of battery pack may create a risk of fire when used with another battery pack.
- **Use power tools only with specifically designated battery packs.** Use of any other battery packs may create a risk of injury and fire.
- **When battery pack is not in use, keep it away from other metal objects, like paper clips, coins, keys, nails, screws or other small metal objects, that can make a connection from one terminal to another.** Shorting the battery terminals together may cause burns or a fire.

- **Under abusive conditions, liquid may be ejected from the battery; avoid contact. If contact accidentally occurs, flush with water. If liquid contacts eyes, additionally seek medical help.** Liquid ejected from the battery may cause irritation or burns.
- **Do not use a battery pack or tool that is damaged or modified.** Damaged or modified batteries may exhibit unpredictable behaviour resulting in fire, explosion or risk of injury.
- **Do not expose a battery pack or tool to fire or excessive temperature.** Exposure to fire or temperature above 265°F (130°C) may cause explosion.
- **Follow all charging instructions and do not charge the battery pack or tool outside the temperature range specified in the instructions.** Charging improperly or at temperatures outside the specified range may damage the battery and increase the risk of fire.

Service

- **Have your power tool serviced by a qualified repair person using only identical replacement parts.** This will ensure that the safety of the power tool is maintained.
- **Never service damaged battery packs.** Service of battery packs should only be performed by the manufacturer or authorized service providers.

String trimmer safety warnings

- **Do not use the machine in bad weather conditions, especially when there is a risk of lightning.** This decreases the risk of being struck by lightning.
- **Thoroughly inspect the area for wildlife where the machine is to be used.** Wildlife may be injured by the machine during operation.
- **Thoroughly inspect the area where the machine is to be used and remove all stones, sticks, wires, bones, and other foreign objects.** Thrown objects can cause personal injury.
- **Before using the machine, always visually inspect to see that the cutter or blade and the cutter or blade assembly are not damaged.** Damaged parts increase the risk of injury.
- **Follow instructions for changing accessories.** Improperly tightened blade securing nuts or bolts may either damage the blade or result in it becoming detached.

- **Wear eye, ear, head and hand protection.** Adequate protective equipment will reduce personal injury by flying debris or accidental contact with the cutting line or blade.
- **While operating the machine, always wear non-slip and protective footwear. Do not operate the machine when barefoot or wearing open sandals.** This reduces the chance of injury to the feet from contact with the moving cutters or lines
- **While operating the machine, always wear long trousers.** Exposed skin increases the likelihood of injury from thrown objects.
- **Keep bystanders away while operating the machine.** Thrown debris can result in serious personal injury.
- **Always use two hands when operating the machine.** Holding the machine with both hands will avoid loss of control.
- **Hold the machine by the insulated gripping surfaces only, because the cutting line or blade may contact hidden wiring.** Cutting line or blades contacting a “live” wire may make exposed metal parts of the machine “live” and could give the operator an electric shock.
- **Always keep proper footing and operate the machine only when standing on the ground.** Slippery or unstable surfaces may cause a loss of balance or control of the machine.
- **Do not operate the machine on excessively steep slopes.** This reduces the risk of loss of control, slipping and falling which may result in personal injury.
- **When working on slopes, always be sure of your footing, always work across the face of slopes, never up or down and exercise extreme caution when changing direction.** This reduces the risk of loss of control, slipping and falling which may result in personal injury.
- **Keep all parts of the body away from the cutter, line or blade when the machine is operating. Before you start the machine, make sure the cutter, line or blade is not contacting anything.** A moment of inattention while operating the machine may result in injury to yourself or others.
- **Do not operate the machine above waist height.** This helps prevent unintended cutter or blade contact and enables better control of the machine in unexpected situations.
- **When cutting brush or saplings that are under tension, be alert for spring back.** When the tension in the wood fibers is released, the brush or sapling may strike the operator and/or throw the machine out of control.

- **Use extreme caution when cutting brush and saplings.** The slender material may catch the blade and be whipped toward you or pull you off balance.
- **Maintain control of the machine and do not touch cutters, lines or blades and other hazardous moving parts while they are still in motion.** This reduces the risk of injury from moving parts.
- **Carry the machine with the machine switched off and away from your body.** Proper handling of the machine will reduce the likelihood of accidental contact with a moving cutter, line or blade
- **Only use replacement cutters, lines, cutting heads and blades specified by the manufacturer.** Incorrect replacement parts may increase the risk of breakage and injury.
- **When clearing jammed material or servicing the machine, make sure the switch is off and the battery pack is removed.** Unexpected starting of the machine while clearing jammed material or servicing may result in serious personal injury.
- **Damage to Trimmer** - If you strike a foreign object with the trimmer or it becomes entangled, stop the tool immediately, check for damage and have any damage repaired before further operation is attempted. Do not operate with a broken guard or spool.
- **If the equipment should start to vibrate abnormally, stop the motor and check immediately for the cause.** Vibration is generally a warning of trouble. A loose head may vibrate, crack, break or come off the trimmer, which may result in serious or fatal injury. Make sure that the cutting attachment is properly fixed in position. If the head loosens after fixing it in position, replace it immediately. Never use a trimmer with a loose cutting attachment.
- **Use Only With The 56V Lithium-Ion Power Head PH1400/PH1400-FC/PH1420/PH1420-FC.**

NOTE: SEE YOUR POWER HEAD OPERATOR'S MANUAL FOR ADDITIONAL SPECIFIC SAFETY RULES.

SAVE THESE INSTRUCTIONS!



INTRODUCTION

Congratulations on your selection of the STRING TRIMMER ATTACHMENT. It has been designed, engineered and manufactured to give you the best possible dependability and performance.

Should you experience any problem you cannot easily remedy, please contact EGO customer service center 1-855-EGO-5656.

This manual contains important information on the safe assembly, operation and maintenance of your string trimmer. Read it carefully before using the string trimmer. Keep this manual handy so you can refer to it at any time.

SERIAL NUMBER _____ DATE OF PURCHASE _____

YOU SHOULD RECORD BOTH SERIAL NUMBER AND DATE OF PURCHASE AND KEEP THEM IN A SAFE PLACE FOR FUTURE REFERENCE

SPECIFICATIONS

Maximum Speed	5800 /min (RPM)
Cutting Mechanism	Bump Head
Cutting Line Type	0.095" (2.4 mm) nylon twist line
Cutting Swath	16 in. (40 cm)
Recommended Operating Temperature	32°F – 104°F (0°C – 40°C)
Recommended Storage Temperature	-4°F – 158°F (-20°C – 70°C)
Weight	3.36 lb. (1.53 kg)

Recommended Cutting Line

PART NAME	TYPE	MODEL NUMBER
Cutting Line	0.095"/2.4mm twist line	AL2420P AL2420PD AL2450S

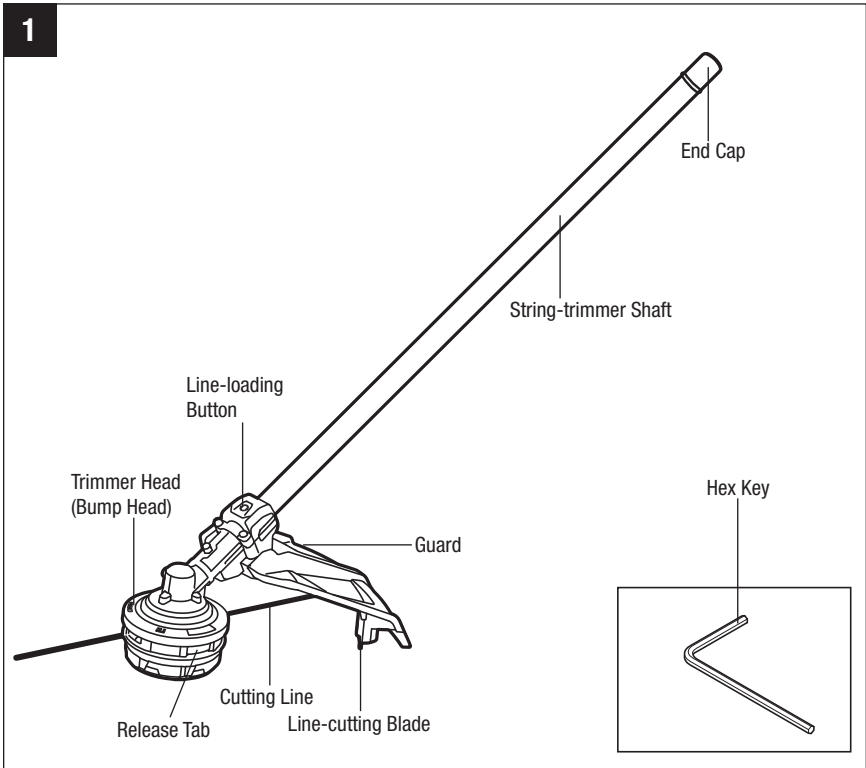
PACKING LIST

Part Name	Quantity
String Trimmer Attachment	1
Guard	1
4 mm Hex Key	1
Operator's Manual	1

DESCRIPTION

KNOW YOUR STRING TRIMMER ATTACHMENT (Fig. 1)

The safe use of this product requires an understanding of the information on the tool and in this operator's manual, as well as knowledge of the project you are attempting. Before using this product, familiarize yourself with all operating features and safety rules.



⚠ WARNING: Never operate the tool without the guard firmly in place. The guard must always be on the tool to protect the user.

TRIMMER HEAD (BUMP HEAD)

Stores the cutting line and releases the cutting line when the head is lightly tapped on the ground during operation.

GUARD

Reduces the risk of injury from foreign objects flung backwards toward the operator and from contact with the cutting attachment.

LINE-CUTTING BLADE

Steel blade on the guard that maintains the cutting line at the proper length.

RELEASE TAB

Releases the spool retainer from the spool base.

LINE-LOADING BUTTON

Press this button to automatically wind the line into the trimmer head.

ASSEMBLY

⚠ WARNING: If any parts are damaged or missing, do not operate this product until the parts are replaced. Use of this product with damaged or missing parts could result in serious personal injury.

⚠ WARNING: Do not attempt to modify this product or create accessories not recommended for use with this string trimmer. Any such alteration or modification is misuse and could result in a hazardous condition leading to possibly serious personal injury.

⚠ WARNING: Do not connect to power head until assembly is complete. Failure to comply could result in accidental starting and possible serious personal injury.

UNPACKING

- This product requires assembly.
- Carefully remove the product and any accessories from the box. Make sure that all items listed in the packing list are included.

⚠ WARNING: Do not use this product if any parts on the Packing List are already assembled to your product when you unpack it. Parts on this list are not assembled to the product by the manufacturer and require customer installation. Use of a product that may have been improperly assembled could result in serious personal injury.

- Inspect the tool carefully to make sure that no breakage or damage occurred during shipping.
- Do not discard the packing material until you have carefully inspected and satisfactorily operated the tool.
- If any parts are damaged or missing, please return the product to the place of purchase.

MOUNTING THE GUARD

NOTICE: Install the guard before the attachment is connected to the power head.

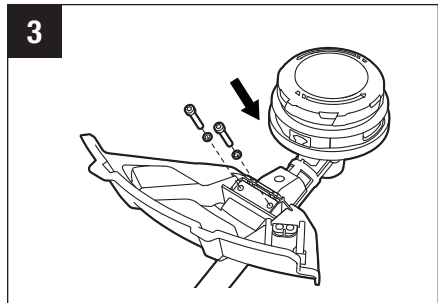
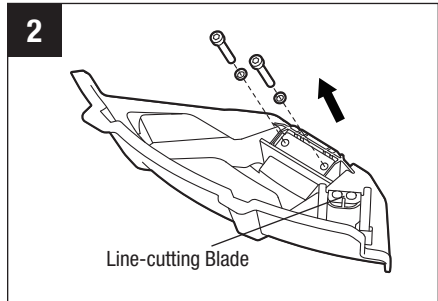
⚠ WARNING: To reduce the risk of injury to people, do not operate without guard in place.

⚠ WARNING: Always wear gloves when mounting or replacing the guard. Be careful of the line-cutting blade on the guard and protect your hands from being injured by the blade.

1. Loosen the two bolts in the guard with the supplied hex key; remove the bolts and spring washers from the guard (Fig. 2).

2. Lift the trimmer head and face it upward; align the two mounting holes in the guard with the two assembly holes in the base of the shaft. Make sure that the internal surface of the guard faces towards the trimmer head (Fig. 3).

3. Use the supplied hex key to secure the guard in place with the bolts and washers.



CONNECTING THE STRING TRIMMER ATTACHMENT TO THE POWER HEAD

⚠ WARNING: Never attach or adjust any attachment while the power head is running or with the battery installed. Failure to stop the motor and remove the battery may cause serious personal injury.

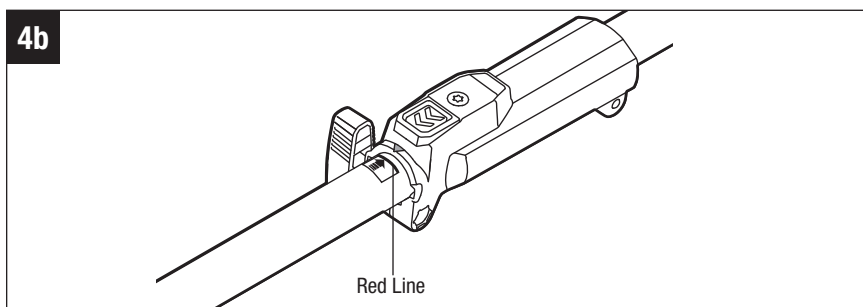
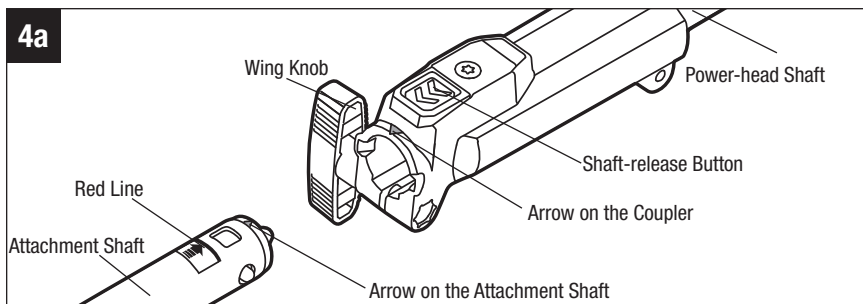
This string trimmer attachment is designed for use with EGO Power Head PH1400/PH1400-FC/PH1420/PH1420-FC.

The string trimmer attachment connects to the power head by means of a coupler device.

1. Stop the motor and remove the battery pack.
2. Loosen the wing knob on the power-head coupler.

3. If the end cap is on the string trimmer attachment shaft, remove it and save it in a safe place for later use. Align the arrow on the string trimmer shaft with the arrow on the coupler (Fig. 4a) and push the string trimmer shaft into the coupler until you hear a clear “CLICK” sound. The coupler should be positioned all the way to the RED LINE labeled on the string trimmer shaft: the red line must be flush with the coupler edge (Fig. 4b).
4. Pull the shaft of the string trimmer attachment to verify that it is securely locked into the coupler. If not, rotate the string trimmer shaft from side to side in the coupler until a clear “CLICK” sound indicates that it is engaged.
5. Tighten the wing knob securely.

⚠ WARNING: Be certain that the wing knob is fully tightened before operating the equipment; check it periodically for tightness during use to avoid serious personal injury.



REMOVING THE ATTACHMENT FROM THE POWER HEAD

1. Stop the motor and remove the battery pack.
2. Loosen the wing knob.
3. Press the shaft-release button and, with the button depressed, pull or twist the attachment shaft out of the coupler.

OPERATION

⚠ WARNING: Do not allow familiarity with this product to make you careless. Remember that a careless fraction of a second is sufficient to inflict serious injury.

⚠ WARNING: Always wear safety goggles or safety glasses with side shield marked to comply with ANSI Z87.1. Failure to do so could result in objects being thrown into your eyes and other possible serious injuries.

⚠ WARNING: Do not use any attachments or accessories not recommended by the manufacturer of this product. The use of attachments or accessories not recommended can result in serious personal injury.

APPLICATIONS

You may use this product for the purpose listed below:

- Trimming grass and weeds from around porches, fences, and decks.

HOLDING THE STRING TRIMMER WITH POWER HEAD (Fig. 5)

⚠ WARNING: Dress properly to reduce the risk of injury when operating this tool. Do not wear loose clothing or jewelry. Wear eye and ear/hearing protectors. Wear heavy, long pants, boots and gloves. Do not wear short pants or sandals or go barefoot.



Hold the string trimmer with one hand on the rear handle and your other hand on the front handle. Keep a firm grip with both hands while operating the tool. The string trimmer should be held at a comfortable position, with the rear handle at about hip height. The trimmer head should be parallel to the ground so that it easily contacts the material to be cut without the operator having to bend over.

USING THE STRING TRIMMER

⚠ WARNING: To avoid serious personal injury, wear goggles or safety glasses at all times when operating this unit. Wear a face mask or dust mask in dusty locations.

Clear the area to be cut before each use. Remove all objects, such as rocks, broken glass, nails, wire, or string that can be thrown or become entangled in the cutting attachment. Clear the area of children, bystanders, and pets. At a minimum, keep all children, bystanders and pets at least 50 feet (15m) away; there still may be risk to bystanders from thrown objects. Bystanders should be encouraged to wear eye protection. If you are approached, stop the motor and cutting attachment immediately.

⚠ WARNING: To prevent serious personal injury, remove the battery pack from the tool before servicing, cleaning, changing attachments or removing material from the unit.

Before each use check for damaged/worn parts

Check the trimmer head, guard and front handle and replace any parts that are cracked, warped, bent, or damaged in any way.

The line-cutting blade on the edge of the guard can dull over time. It is recommended that you periodically sharpen it with a file or replace it with a new blade.

⚠ WARNING: Always wear gloves when mounting or replacing the guard or when sharpening or replacing the blade. Note the location of the blade on the guard and protect your hand from injury.

Clean the trimmer after each use

See the Maintenance section for cleaning instructions.

⚠ WARNING: Never use water to clean your trimmer. Avoid using solvents when cleaning plastic parts. Most plastics are susceptible to damage from various types of commercial solvents. Use clean clothes to remove dirt, dust, oil, grease, etc.

Check for blockage of the trimmer head

To prevent blockage, keep the trimmer head clean. Remove grass clippings, leaves, dirt and any other accumulated debris before and after each use.

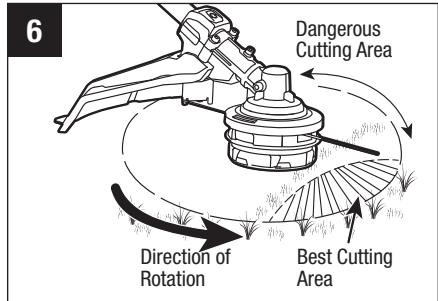
When blockage happens, stop the string trimmer and remove the battery, then remove any grass that may have wrapped itself around the motor shaft or trimmer head.

TO START/STOP THE TOOL

See "**STARTING/STOPPING THE POWER HEAD**" section in the power head PH1400/PH1400-FC/PH1420/PH1420-FC operator's manual.

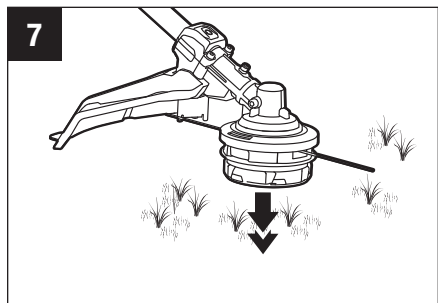
Tips for best trimming results (Fig. 6)

- The correct angle for the cutting attachment is parallel to the ground.
- Do not force the trimmer. Allow the very tip of the line to do the cutting (especially along walls). Cutting with more than the tip will reduce cutting efficiency and may overload the motor.
- The cutting height is determined by the distance of the cutting line from the lawn surface.
- Grass over 8 inches (20 cm) should be cut by working from top to the bottom in small increments to avoid premature line wear or motor drag.
- Slowly move the trimmer into and out of the area being cut, maintaining the cutting head position at the desired cutting height. This movement can be either a forward-backward motion or a side-to-side motion. Cutting shorter lengths produces best results.
- Trim only when grass and weeds are dry.
- Wire and picket fences can cause extra string wear or breakage. Stone and brick walls, curbs, and wood may wear strings rapidly.
- Avoid trees and shrubs. Tree bark, wood moldings, siding, and fence posts can easily be damaged by the strings.



ADJUSTING CUTTING LINE LENGTH

The trimmer head allows the operator to release more cutting line without stopping the motor. As line becomes frayed or worn, additional line can be released by lightly tapping the trimmer head on the ground while operating the trimmer (Fig. 7).



⚠ WARNING: Do not remove or alter the line-cutting blade assembly. Excessive line length will cause the motor to overheat and may result in serious personal injury.

For best results, tap the trimmer head on bare ground or hard soil. If line release is attempted in tall grass, the motor may overheat. Always keep the trimming line fully extended. Line release becomes more difficult as the cutting line becomes shorter.

LINE REPLACEMENT

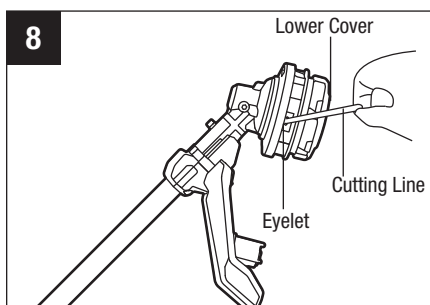
⚠ WARNING: Never use metal-reinforced line, wire, or rope, etc. These can break off and become dangerous projectiles.

⚠ WARNING: Always use the recommended nylon cutting line with diameter no more than 0.095 in (2.4mm). Using line other than that specified may cause the string trimmer to overheat or become damaged.

The string trimmer is equipped with an advanced **POWERLOAD™** system. The cutting line can be wound into the spool simply by pressing a single button. Loading a full spool can usually be completed in 12 seconds. **Avoid repeated operation of the winding system in rapid succession to reduce the possibility of motor damage.**

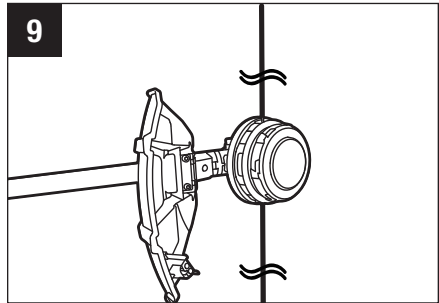
NOTICE: The **POWERLOAD™** system is only available when the attachment is connected to Power Head PH1420/PH1420-FC and the battery pack is installed.

1. Remove the battery pack from the power head.
2. Cut one piece of cutting line 13 ft. (4 m) long.
3. Insert the line into the eyelet (Fig. 8) and push the line until the end of the line comes out of the opposite eyelet.

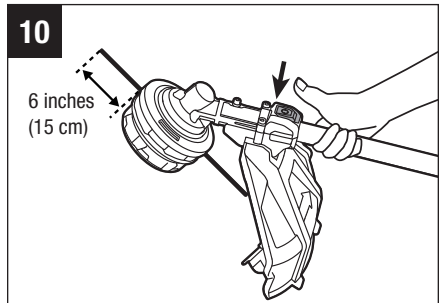


NOTICE: If the line cannot be inserted into the eyelet due to lower cover is stuck, install the battery pack onto the power head, then press the line-loading button briefly to reset the lower cover.

4. Remove the battery pack if it has been installed onto the power head in the NOTICE after step 3.
5. Pull the line from the other side until equal lengths of the line appear on both sides of the trimmer head (Fig. 9).
6. Install the battery pack onto the power head.



7. Press and hold the line-loading button to start the line-winding motor. The line will be wound into the trimmer head continuously (Fig. 10).
8. Watch the remaining line length carefully. Prepare to release the button as soon as approximately 7.5 inches (19 cm) of line are left on each side. Briefly press the line-loading button to adjust the length until 6 inches (15 cm) of the line is showing on each side.



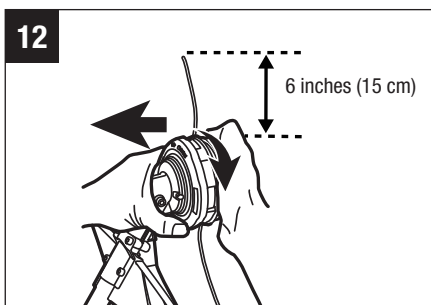
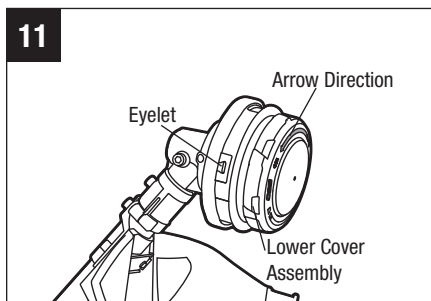
9. Push down on the trimmer head while pulling on the lines to manually advance the line in order to check for proper assembly of the cutting line.

NOTICE: In case the line is pulled into the trimmer head by accident, open the head and pull the cutting line out from the spool. Follow the section “**RELOADING THE CUTTING LINE**” in this manual to reload the line.

NOTICE: When the attachment is connected to Power Head PH1400/ PH1400-FC, the **POWERLOAD™** system won't be functioning. In this case, the line should be reloaded manually. Refer to the section “**Manual line replacement**” in this manual to reload the line.

Manual line replacement

1. Remove the battery pack.
2. Cut one piece of cutting line 13 ft. (4 m) long.
3. Insert the line into the eyelet (Fig. 11) and push the line until the end of the line comes out of the opposite eyelet.
4. Pull the line from the other side until equal lengths of line appear on both sides.
5. Press and rotate lower cover assembly in the direction indicated by the arrow to wind the cutting line onto the spool that until approximately 6 inches (15 cm) of line is showing on each side (Fig. 12).

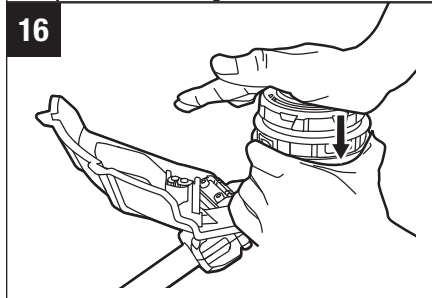
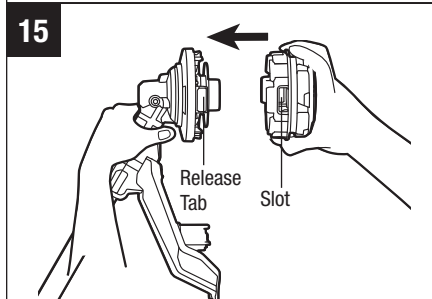
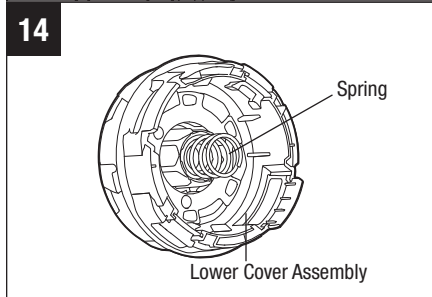
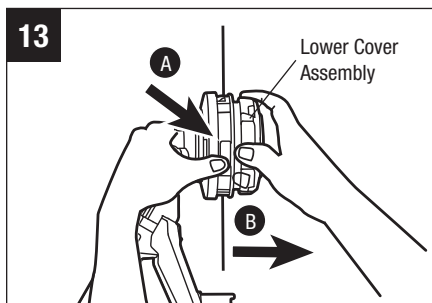


6. Push the lower cover assembly down while pulling on both ends of the line to manually advance the line and to check for proper assembly of the trimmer head.

RELOADING THE CUTTING LINE

NOTICE: When the cutting line breaks from the eyelet or the cutting line is not released when the trimmer head is tapped, you will need to remove the remaining cutting line from the trimmer head and follow the steps below to reload the line.

1. Remove the battery pack from the power head.
2. Press the release tabs (A) on the trimmer head and remove the lower cover assembly of the trimmer head by pulling it straight out (Fig. 13).
3. Remove the cutting line from the trimmer head.
4. Insert the spring into the slot in the lower cover assembly if it got separated from the lower spring assembly (Fig. 14).
5. With one hand holding the trimmer, use another hand to grasp the lower cover assembly and align the slots in the lower cover assembly with the release tabs. Press the lower cover assembly until it snaps into place, at which time you will hear a distinct click sound (Fig. 15, 16).
6. Follow the instructions in the “**LINE REPLACEMENT**” section to reload the cutting line.



MAINTENANCE

⚠ WARNING: When servicing, use only identical replacement parts. Use of any other parts may create a hazard or cause product damage. To ensure safety and reliability, all repairs should be performed by a qualified service technician.

⚠ WARNING: Battery tools do not have to be plugged into an electrical outlet; therefore, they are always in operating condition. To prevent serious personal injury, take extra precautions and care when performing maintenance, service or for changing the cutting attachment or other attachments.

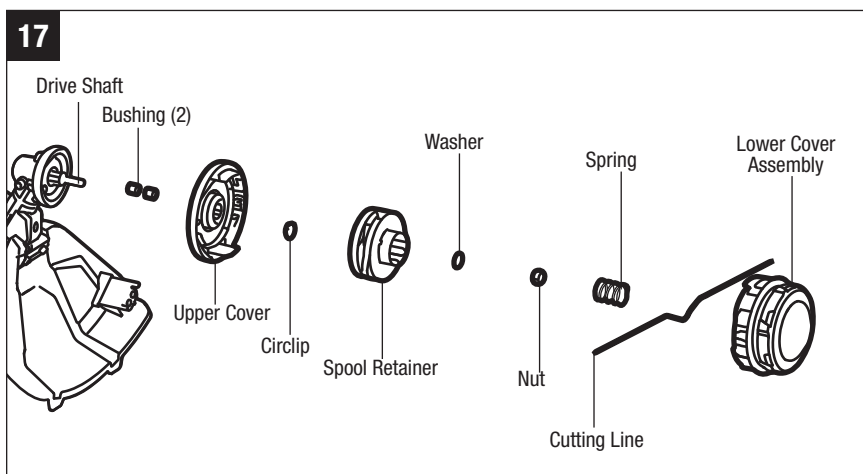
⚠ WARNING: To prevent serious personal injury, remove the battery pack from the power head before servicing, cleaning, changing add-on attachments or when the product is not in use.

All string trimmer service, other than the items listed in these maintenance instructions, should be performed by competent string trimmer service personnel.

TRIMMER HEAD REPLACEMENT

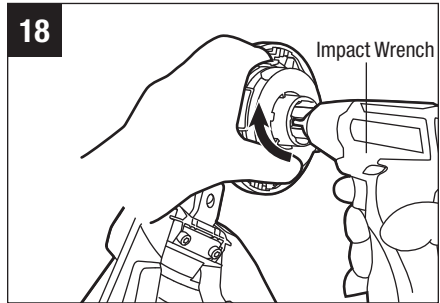
⚠ DANGER: If the head loosens after it is fixed in position, replace it immediately. Never use a trimmer with a loose cutting attachment. Replace a cracked, damaged or worn out cutting head immediately, even if damage is limited to superficial cracks. Such attachments may shatter at high speed and cause serious injury.

Familiarize yourself with the trimmer head (Fig. 17).



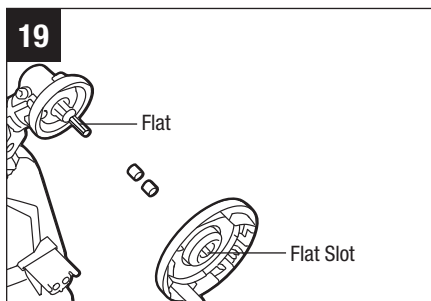
Remove the trimmer head

1. Remove the battery pack from the power head.
2. Press the release tabs on the trimmer head and remove the lower cover assembly of the trimmer head by pulling it straight out. (Fig. 13).
3. Remove the cutting line from the trimmer head.
4. Take the spring out of the spool assembly, if it got separated from the lower spring assembly. Save it for reassembly.
5. Wear gloves. Use one hand to grasp the spool assembly to stabilize it, and use the other hand to hold a 14 mm socket wrench or impact wrench (not included) to loosen the nut in the **CLOCKWISE** direction (Fig. 18).
6. Remove the nut, washer and spool retainer from the drive shaft (Fig. 17).
7. Use needle nose pliers (not included) to remove the circlip. Remove the upper cover and two bushings from the drive shaft (Fig. 17).
8. Replace with a new trimmer head and mount it by following instructions in the chapter “**Install the new trimmer head**”.



Install the new trimmer head

1. Mount the two bushings on the drive shaft.
2. Align the flat slot in the upper cover with the flat in the drive shaft and mount the upper cover into place (Fig. 19).
3. Mount the circlip, spool retainer, and washer in that order (Fig. 17). Use a 14 mm socket or impact wrench on the nut to tighten it **COUNTERCLOCKWISE**.
4. Following steps 4 and 5 in “**RELOADING THE CUTTING LINE**” section in this manual to mount the lower cover assembly.
5. Follow the instructions in “**LINE REPLACEMENT**” section in this manual to reload the cutting line.
6. Start the tool to see whether the string trimmer will work normally. If it does not, reassemble as described above.



SHARPEN THE LINE-CUTTING BLADE

⚠ WARNING: Always protect your hands by wearing heavy gloves when performing any maintenance on the line-cutting blade.

1. Remove the battery.
2. Remove the line-cutting blade from the guard.
3. Secure the blade in a vise.
4. Wear proper eye protection and gloves and be careful not to cut yourself.
5. Carefully file the cutting edges of the blade with a fine-tooth file or sharpening stone, maintaining the original cutting edge angle.
6. Replace the blade on the guard and secure it in place with the two screws.

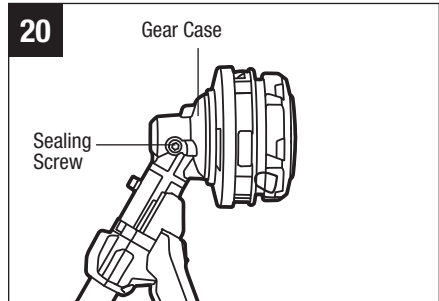
TRANSMISSION GEARS LUBRICATION

The transmission gears in the gear case need be lubricated periodically with gear grease. Check the gear case grease level about every 50 hours of operation by removing the sealing screw on the side of the case.

If no grease can be seen on the sides of the gear, follow the steps below to fill with gear grease up to 3/4 capacity.

Do not completely fill the transmission gear case.

1. Hold the string trimmer on its side so that the sealing screw is facing upwards (Fig. 20).
2. Use the hex key provided to loosen and remove the sealing screw.
3. Use a grease syringe (not included) to inject some grease into the screw hole, taking care not to exceed 3/4 capacity.
4. Tighten the sealing screw after injection.



CLEAN THE UNIT

- Remove the battery.
- Clear any grass that may have wrapped itself around the drive shaft or trimmer head.
- Use a small brush or a small vacuum cleaner to clean the air vents on the rear housing.
- Keep the air vents free of obstructions.
- Clean the unit using a damp cloth with a mild detergent.
- Do not use any strong detergents on the plastic housing or the handle. They can be damaged by certain aromatic oils, such as pine and lemon, and by solvents such as kerosene. Moisture can also cause a shock hazard. Wipe off any moisture with a soft dry cloth.

STORING THE UNIT

- Remove the battery pack from the power head.
- Clean the tool thoroughly before storing it.
- Store the unit in a dry, well-ventilated area, locked-up or up high, out of the reach of children. Do not store the unit on or adjacent to fertilizers, gasoline, or other chemicals.

TROUBLESHOOTING

PROBLEM	CAUSE	SOLUTION
String trimmer fails to start.	<ul style="list-style-type: none">■ The battery pack is not attached to the power head.■ No electrical contact between the power head and the battery pack.■ The battery pack charge is depleted.■ The lock-off lever and trigger are not depressed simultaneously.	<ul style="list-style-type: none">■ Attach the battery pack to the power head.■ Remove battery, check contacts and reinstall the battery pack until it snaps into place.■ Charge the battery pack with EGO chargers listed in power head manual.■ Follow the section “STARTING/ STOPPING THE POWER HEAD” in the manual for PH1420/PH1420-FC/PH1400/PH1400-FC.

PROBLEM	CAUSE	SOLUTION
<p>String trimmer stops while cutting.</p>	<ul style="list-style-type: none"> ■ The guard is not mounted on the trimmer, resulting in an overly long cutting line and motor overload. ■ Heavy cutting line is used. ■ The drive shaft or trimmer head is bound with grass. ■ The motor is overloaded. ■ The battery pack or string trimmer is too hot. ■ The battery pack is disconnected from the tool. ■ The battery pack is depleted. 	<ul style="list-style-type: none"> ■ Remove the battery pack and mount the guard on the trimmer. ■ Use recommended nylon cutting line with diameter no greater than 0.095 in. (2.4 mm). ■ Stop the trimmer, remove the battery, and remove the grass from the drive shaft and trimmer head. ■ Remove the trimmer head from the grass. The motor will recover as soon as the load is removed. When cutting, move the trimmer head in and out of the grass to be cut and remove no more than 8 inches (20 cm) of length in a single cut. ■ Allow the battery pack or trimmer to cool until the temperature drops below 152°F (67°C). ■ Re-install the battery pack. ■ Charge the battery pack with EGO chargers listed in power head manual.

PROBLEM	CAUSE	SOLUTION
Trimmer head will not advance line.	<ul style="list-style-type: none"> ■ The drive shaft or trimmer head is bound with grass. ■ There is not enough line on the spool. ■ The line is tangled in the spool. ■ The line is too short. 	<ul style="list-style-type: none"> ■ Stop the trimmer, remove the battery, and clean the drive shaft and trimmer head. ■ Remove the battery and replace the cutting line; follow the section "LOADING THE CUTTING LINE" in this manual. ■ Remove the battery, remove the line from the spool and rewind; follow the section "LOADING THE CUTTING LINE" in this manual. ■ Remove the battery and pull the lines manually while alternately pressing down and releasing the trimmer head.
Grass wraps around trimmer head and motor housing.	<ul style="list-style-type: none"> ■ Cutting tall grass at ground level. 	<ul style="list-style-type: none"> ■ Cut tall grass from the top down, removing no more than 8 inches (20 cm) in each pass to prevent wrapping.
The blade is not cutting the line.	<ul style="list-style-type: none"> ■ The line-cutting blade on the edge of the guard has become dull. 	<ul style="list-style-type: none"> ■ Sharpen the line-cutting blade with a file or replace it with a new blade.
Cracks on the trimmer head or the spool retainer comes loose from spool base.	<ul style="list-style-type: none"> ■ The trimmer head is worn out. ■ The nut that locks the trimmer head is loose. 	<ul style="list-style-type: none"> ■ Replace the trimmer head immediately; follow the section "TRIMMER HEAD REPLACEMENT" in this manual. ■ Open the trimmer head and use a 14 mm socket or impact wrench to tighten the nut.

PROBLEM	CAUSE	SOLUTION
<p>The cutting line cannot be wound into the trimmer head properly.</p>	<ul style="list-style-type: none"> ■ Improper cutting line is used. ■ Grass debris or dirt has accumulated in the trimmer head and blocked the movement of line spool. ■ Motor is overheated due to repeatedly operating the line winding system. ■ Low battery charge. 	<ul style="list-style-type: none"> ■ We suggest that you use EGO original nylon cutting line, see “Recommended Cutting Line” section in this manual. If using EGO nylon line and the problem persists, please call EGO customer service for advice. ■ Remove the battery, open the trimmer head and clean it thoroughly. ■ Let the string trimmer work under no load for a few minutes to cool the motor, then try to reload the line. ■ Charge the battery.
<p>The cutting line cannot be passed through the trimmer head when inserting the line.</p>	<ul style="list-style-type: none"> ■ The cutting line is split or bent at the end. ■ The lower cover is not released to position after reinstalling. 	<ul style="list-style-type: none"> ■ Cut the worn end of line and reinsert. ■ Attach the battery pack onto the trimmer; press the line loading button to briefly start the power loading to reset the lower cover.



EGO LIMITED WARRANTY

WARRANTY POLICY TERMS AND DURATION

Chervon North America, Inc. (“Chervon North America”) provides the following Limited Warranty for EGO products to the original purchaser of EGO products.

The detailed warranty period for each EGO product can be found online at <http://egopowerplus.com/warranty-policy>.

Please contact EGO Customer Service Toll-Free at 1-855-EGO-5656 any time you have questions or warranty claims or would like a hard copy of the warranty.

LIMITED SERVICE WARRANTY

EGO products are warranted against defects in material or workmanship from the date of original retail purchase for the applicable warranty period. For any properly and timely submitted warranty claim, if Chervon North America determines a product to be defective during the warranty period, the product will receive free repair or replacement as determined by Chervon North America.

HOW TO OBTAIN SERVICE

For warranty service, within the applicable warranty period, please contact EGO customer service toll-free at **1-855-EGO-5656**. When requesting warranty service, you must present the original dated sales receipt. An authorized service center will be selected to evaluate and repair the product if defective according to the stated warranty terms. When bringing your product to the authorized service center, there may be a small deposit that will be required when dropping off your tool. This deposit is refundable when the repair service is deemed to be covered under warranty.

ADDITIONAL LIMITATIONS & EXCLUSIONS

This limited warranty applies only to the original purchaser from an authorized EGO retailer and is not transferable. EGO products shall not be considered defective, and this warranty will not apply, where the claimed defect is attributable to any cause other than the above-defined defects. This warranty shall be void if the product has been used for rental purposes. This warranty shall not apply to damage caused by accident, abuse, misuse, alteration, modification, unauthorized repair, liquid contact, fire, earthquake or other external cause; operating the product outside EGO’s instructions, specifications or guidelines; or failure to properly service or maintain the product. This warranty also does not apply to cosmetic damage, including but not limited to scratches or dents; defects caused by normal wear and tear or otherwise due to the normal aging of the product.



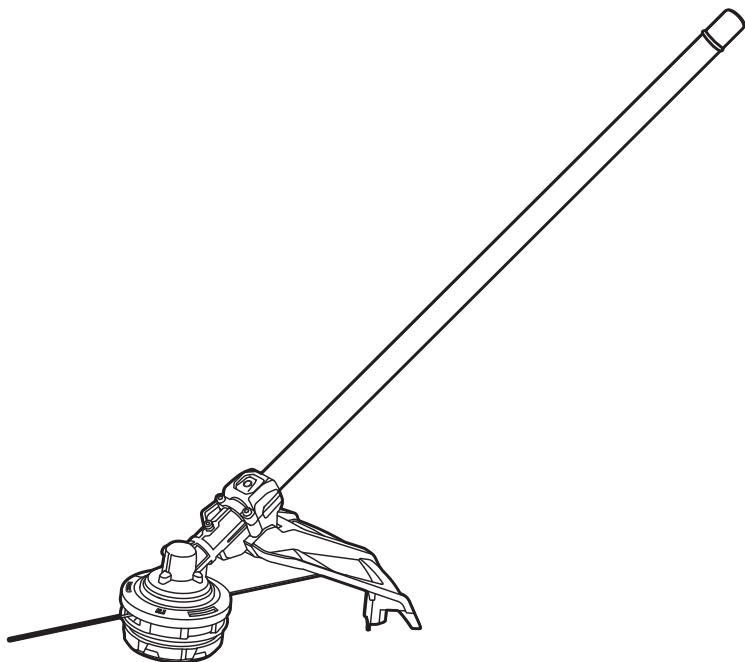
THIS EXPRESS WARRANTY IS GIVEN IN LIEU OF ALL OTHER WARRANTIES, EXPRESS OR IMPLIED, INCLUDING, BUT NOT LIMITED TO, ANY WARRANTIES OF MERCHANTABILITY OR FITNESS FOR PARTICULAR PURPOSE OR USE, WHICH ARE DISCLAIMED. Any implied warranties, including warranties of merchantability or fitness for a particular purpose, that cannot be disclaimed under state law are limited to the applicable warranty period defined at the beginning of this article. The sole and exclusive remedy in connection with the purchase, installation, use, and/or performance of the EGO products is repair or replacement of the product as determined by Chervon North America. Chervon North America's maximum liability shall not in any case exceed the purchase price paid for the product. CHERVON NORTH AMERICA SHALL NOT BE LIABLE TO THE USER OR TO ANYONE ELSE FOR CONSEQUENTIAL, INCIDENTAL, SPECIAL, EXEMPLARY, INDIRECT, OR PUNITIVE DAMAGES ARISING FROM USE OF THE PRODUCTS, INCLUDING BUT NOT LIMITED TO PERSONAL INJURY, DEATH, PROPERTY DAMAGE, LOST PROFITS, OR OTHER ECONOMIC INJURY. This warranty gives you specific legal rights, and you may also have other rights which vary from state to state. Some states do not allow limitations on how long an implied warranty lasts, the exclusion or limitation of incidental or consequential damages, or the limitations on time to bring certain actions, so such limitations contained herein do not apply to individual consumers in those states.

This warranty is subject to and shall be interpreted according to Michigan law without regard to principles of conflicts of laws. No legal action shall be brought against Chervon North America unless filed within one (1) year after the basis for such legal action becomes known, or with the exercise of reasonable diligence should have become known. Any action not timely filed shall be deemed waived.

For customer service contact us toll-free at: **1-855-EGO-5656** or **EGOPOWERPLUS.COM**.

EGO Customer Service
769 Seward Ave. NW, Suite 102
Grand Rapids, Michigan 49504.

EGO™



EXCLUSIVEMENT POUR UTILISATION
AVEC LA TÊTE D'ALIMENTATION EGO
POWER+ PH1400/PH1400-FC/PH1420/
PH1420-FC

GUIDE D'UTILISATION

TAILLE-BORDURE ADAPTABLE

NUMÉRO DE MODÈLE STA1600/STA1600-FC

⚠ AVERTISSEMENT : Afin de réduire les risques de blessure, l'utilisateur doit lire et comprendre le guide d'utilisation avant d'utiliser ce produit. Conservez le présent guide afin de pouvoir le consulter ultérieurement.

LISEZ TOUTES LES INSTRUCTIONS !



ASSUREZ-VOUS DE LIRE ET DE
COMPRENDRE LE GUIDE D'UTILISATION

TABLE DES MATIÈRES

Symboles de sécurité	39
Symboles	40-41
Consignes de sécurité générales	42-49
Introduction	49
Spécifications	50
Liste des pièces	50
Description	51-54
Assemblage	55-56
Fonctionnement	57-64
Entretien	65-69
Dépannage	70-73
Garantie limitée D'EGO	74-76

SYMBOLES DE SÉCURITÉ

L'objectif des symboles de sécurité est d'attirer votre attention sur les dangers potentiels. Vous devez examiner attentivement et bien comprendre les symboles de sécurité et les explications qui les accompagnent. Les symboles d'avertissement en tant que tels n'éliminent pas le danger. Les consignes et les avertissements qui y sont associés ne remplacent en aucun cas les mesures préventives adéquates.

⚠ AVERTISSEMENT: Assurez-vous de lire et de comprendre toutes les consignes de sécurité présentées dans le présent mode d'emploi, notamment toutes les consignes de sécurité indiquées par « **DANGER** », « **AVERTISSEMENT** » et « **MISE EN GARDE** ». Le non-respect des consignes de sécurité ci-dessous peut occasionner une décharge électrique, un incendie ou des blessures graves.

Les définitions ci-dessous décrivent le niveau de gravité pour chaque terme signalant un danger. Veuillez lire le mode d'emploi et regarder la signification de ces symboles	
	C'est le symbole d'alerte relatif à la sécurité. Il est utilisé pour vous avertir de l'existence possible d'un danger de lésion corporelle. Obéissez à tous les messages relatifs à la sécurité qui suivent ce symbole pour éviter tout risque de blessure ou même de mort.
	DANGER indique une situation dangereuse qui, si elle n'est pas évitée, causera la mort d'une personne ou une blessure grave.
	AVERTISSEMENT indique une situation dangereuse qui, si elle n'est pas évitée, pourrait causer la mort d'une personne ou une blessure grave.
	MISE EN GARDE , conjointement avec le symbole d'alerte en liaison avec la sécurité, indique une situation dangereuse qui, si elle n'est pas évitée, causera une blessure légère ou modérée.

MESSAGES D'INFORMATION ET DE PRÉVENTION DES DOMMAGES





Ils informent l'utilisateur d'informations et/ou d'instructions importantes qui pourraient entraîner des dommages matériels ou aux équipements s'ils ne sont pas suivis. Chaque message est précédé par le terme « **AVIS** », comme dans l'exemple ci-dessous :

AVIS : Un dommage matériel et/ou aux équipements peut survenir si ces instructions ne sont pas suivies.

SYMBOLES

Vous trouverez ci-dessous les symboles de sécurité qui peuvent être présents sur le produit, accompagnés de leur description. Vous devez lire, comprendre et suivre toutes les instructions présentes sur la machine avant de commencer à l'assembler ou à l'utiliser.

	<p>Alerte de sécurité</p>	<p>Indique un risque de blessure.</p>
	<p>Lire et comprendre le guide d'utilisation</p>	<p>Afin de réduire les risques de blessure, l'utilisateur doit lire et comprendre le guide d'utilisation avant d'utiliser ce produit.</p>
	<p>Porter des lunettes de sécurité</p>	<p>Lorsque vous utilisez ce produit, portez toujours des lunettes de protection ou de sécurité à écrans latéraux et un masque de protection complet.</p>
	<p>Symbole de recyclage</p>	<p>Le produit fonctionne à l'aide d'une pile au lithium-ion (Li-ion). La législation locale, provinciale ou fédérale peut interdire la mise au rebut des piles dans les ordures ménagères. Consultez l'organisme local de gestion des déchets au sujet des possibilités offertes en ce qui concerne la mise au rebut ou le recyclage.</p>
	<p>Faites attention aux objets projetés.</p>	<p>Alerte l'utilisateur pour qu'il se méfie des objets projetés.</p>
	<p>Débranchez la pile avant toute opération d'entretien.</p>	<p>Alerte l'utilisateur pour qu'il débranche la pile avant toute opération d'entretien.</p>
	<p>Portez un dispositif de protection des oreilles.</p>	<p>Alerte l'utilisateur pour lui demander de porter un dispositif de protection des oreilles.</p>

	<p>Portez un casque pour protéger votre tête.</p>	<p>Alerte l'utilisateur pour lui demander de porter un casque.</p>
	<p>La distance entre la machine et les personnes présentes doit être d'au moins 15 m / 50 pi.</p>	<p>Alerte l'utilisateur pour qu'il maintienne une distance d'au moins 15 m / 50 pi entre la machine et les autres personnes présentes.</p>
	<p>N'utilisez pas de lames pour le métal.</p>	<p>Alerte l'utilisateur pour lui demander de ne pas utiliser des lames pour le métal.</p>
<p>IPX4</p>	<p>Indice de protection</p>	<p>Protection contre les éclaboussures d'eau</p>
<p>V</p>	<p>Volt</p>	<p>Tension</p>
<p>mm</p>	<p>Millimètre</p>	<p>Longueur ou taille</p>
<p>cm</p>	<p>Centimètre</p>	<p>Longueur ou taille</p>
<p>in.</p>	<p>Pouce</p>	<p>Longueur ou taille</p>
<p>kg</p>	<p>Kilogramme</p>	<p>Poids</p>
<p>lb</p>	<p>Livre</p>	<p>Poids</p>
	<p>Courant continu</p>	<p>Type de courant ou caractéristique de courant</p>

CONSIGNES DE SÉCURITÉ GÉNÉRALES

⚠ AVERTISSEMENT ! Lisez tous les avertissements relatifs à la sécurité, ainsi que toutes les instructions, les illustrations et les spécifications fournies avec cet outil électrique. Le non-respect de toutes les instructions figurant ci-après pourrait causer un choc électrique, un incendie et/ou des blessures graves.

CONSERVEZ TOUS LES AVERTISSEMENTS ET TOUTES LES INSTRUCTIONS POUR RÉFÉRENCE FUTURE.

Le terme « outil électrique » dans les avertissements fait référence à votre outil électrique à cordon d'alimentation électrique branché dans une prise secteur ou à votre outil électrique à piles sans fil.

Sécurité de la zone de travail

- **Gardez votre zone de travail propre et bien éclairée.** Des zones encombrées ou sombres sont propices aux accidents.
- **N'utilisez pas des outils électriques dans une atmosphère explosive, par exemple en présence de liquides, de gaz ou de poussières inflammables.** Les outils électriques produisent des étincelles qui risquent de mettre feu aux poussières ou émanations de fumée.
- **Gardez les enfants et autres personnes présentes à une distance suffisante lorsque vous utilisez un outil électrique.** Des distractions risqueraient de vous faire perdre le contrôle.

Sécurité électrique

- **La fiche de l'outil électrique doit correspondre à la prise de courant. Ne modifiez jamais la fiche de quelque façon que ce soit. N'utilisez pas d'adaptateurs de fiches avec des outils électriques mis à la terre/à la masse.** L'emploi de fiches non modifiées et de prises de courant correspondant naturellement aux fiches réduira le risque de choc électrique.
- **Évitez tout contact de votre corps avec des surfaces mises à la terre ou à la masse, telles que des surfaces de tuyaux, de radiateurs, de cuisinières et de réfrigérateurs.** Il existe un risque accru de choc électrique si votre corps est en contact avec la terre ou la masse.

- **N'exposez pas la machine à la pluie ou à un environnement humide.** La pénétration d'eau dans la machine peut augmenter le risque de choc électrique ou de dysfonctionnement pouvant entraîner des blessures corporelles.
- **N'utilisez pas le cordon de façon abusive. N'utilisez pas le cordon pour porter, tirer ou débrancher l'outil électrique. Tenez le cordon à distance de toute source de chaleur, d'huile, de bords tranchants ou de pièces mobiles.** Des cordons endommagés ou entortillés augmentent le risque de choc électrique.
- **Lorsque vous utilisez un outil électrique à l'extérieur, employez un cordon de rallonge approprié pour un emploi à l'extérieur.** L'utilisation d'un cordon approprié pour une utilisation à l'extérieur réduit le risque de choc électrique.
- **S'il est inévitable d'utiliser un outil électrique dans un environnement humide, utilisez une alimentation protégée par un disjoncteur avec circuit de fuite à la terre (GFCI).** L'utilisation d'un circuit GFCI réduit le risque de choc électrique.

Sécurité personnelle

- **Faites preuve de vigilance et de bon sens, et observez attentivement ce que vous faites lorsque vous utilisez un outil électrique. N'utilisez pas un outil électrique si vous êtes fatigué(e) ou sous l'influence de drogues, d'alcool ou de médicaments.** Un simple moment d'inattention pendant que vous utilisez un outil électrique pourrait causer une blessure grave.
- **Utilisez des équipements de protection individuelle.** Portez toujours des équipements de protection des yeux. Des équipements de protection tels qu'un masque de protection contre la poussière, des chaussures de sécurité antidérapantes, un casque ou un dispositif de protection de l'ouïe utilisés en fonction des conditions réduiront le nombre des blessures.
- **Empêchez une mise en marche accidentelle. Assurez-vous que l'interrupteur est dans la position d'arrêt (OFF) avant de connecter l'appareil à une source d'alimentation et/ou à un bloc-piles, de le soulever ou de le transporter.** Le fait de transporter des outils électriques avec le doigt sur l'interrupteur ou de mettre sous tension des outils électriques avec l'interrupteur en position de marche invite les accidents.
- **Retirez toute clé de réglage pouvant être attachée à l'outil avant de mettre l'outil électrique sous tension.** Une clé laissée attachée à une pièce en rotation de l'outil électrique pourrait causer une blessure.

- **Ne vous penchez pas excessivement au-dessus de l'outil.** Veillez à toujours garder un bon équilibre et un appui stable. Ceci permet de mieux contrôler l'outil électrique dans des situations inattendues.
- **Portez des vêtements appropriés. Ne portez pas de bijoux ou de vêtements amples.** Gardez vos cheveux et vos vêtements à une distance suffisante des pièces mobiles. Les vêtements amples, bijoux ou cheveux longs pourraient être attrapés par des pièces mobiles.
- **Si des dispositifs sont fournis pour le raccordement d'accessoires d'extraction et de collecte de la poussière, assurez-vous qu'ils sont connectés et utilisés de façon appropriée.** L'emploi correct des accessoires de collecte de la poussière peut réduire les dangers associés à la poussière.
- **Ne laissez pas la familiarité résultant de l'utilisation fréquente des outils vous inciter à devenir complaisant(e) et à ignorer les principes de sécurité relatifs aux outils.** Une action négligente pourrait causer des blessures graves en une fraction de seconde.

Utilisation et entretien de l'outil électrique

- **N'imposez pas de contraintes excessives à l'outil électrique. Utilisez l'outil électrique approprié pour votre application.** L'outil électrique correct fera le travail plus efficacement et avec plus de sécurité à la vitesse à laquelle il a été conçu pour fonctionner.
- **N'utilisez pas l'outil électrique si l'interrupteur de marche/arrêt ne permet pas de le mettre sous tension/hors tension.** Tout outil électrique qui ne peut pas être contrôlé par son interrupteur est dangereux et doit être réparé.
- **Débranchez la fiche de la source d'alimentation électrique et/ou retirez le bloc-piles de l'outil électrique (s'il est amovible) avant d'y apporter de quelconques modifications, de changer d'accessoire ou de ranger l'outil électrique.** De telles mesures de sécurité préventives réduisent le risque de déclenchement accidentel de l'outil électrique.
- **Rangez les outils électriques qui ne sont pas utilisés activement hors de portée des enfants, et ne laissez aucune personne n'ayant pas lu ces instructions et ne sachant pas comment utiliser un tel outil électrique se servir de cet outil.** Les outils électriques sont dangereux quand ils sont entre les mains d'utilisateurs n'ayant pas reçu la formation nécessaire à leur utilisation.

- **Entretenez de façon appropriée les outils électriques et les accessoires.** Assurez-vous que les pièces en mouvement sont bien alignées et qu'elles ne se coincent pas, qu'il n'y a pas de pièces cassées ou qu'il n'existe aucune situation pouvant affecter le fonctionnement de l'outil électrique. Si l'outil électrique est endommagé, faites-le réparer avant de vous en servir à nouveau. De nombreux accidents sont causés par des outils électriques mal entretenus.
- **Gardez les outils de coupe tranchants et propres.** Des outils de coupe entretenus de façon adéquate avec des bords de coupe tranchants sont moins susceptibles de se coincer et sont plus faciles à contrôler.
- **Utilisez l'outil électrique, les accessoires, les embouts de l'outil, etc. conformément à ces instructions, en tenant compte des conditions de travail et de la tâche à accomplir.** L'utilisation de l'outil électrique pour des opérations différentes de celles pour lesquelles il est conçu pourrait causer une situation dangereuse.
- **Gardez les poignées et les surfaces de préhension propres, sèches et exemptes de toute trace d'huile ou de graisse.** Les poignées et les surfaces de préhension glissantes ne permettent pas une manipulation et un contrôle sûrs de l'outil dans des situations inattendues.

Utilisation et entretien de l'outil électrique à pile

- **Ne rechargez l'outil qu'avec le chargeur indiqué par le fabricant.** Un chargeur qui est approprié pour un type de bloc-piles pourrait créer un risque d'incendie quand il est utilisé avec un autre bloc-piles.
- **Utilisez votre outil électrique exclusivement avec des blocs-piles conçus spécifiquement pour celui-ci.** L'emploi de tout autre bloc-piles risquerait de causer des blessures et un incendie.
- **Lorsque le bloc-piles n'est pas utilisé, gardez-le à une distance suffisante des autres objets en métal, comme des trombones, pièces de monnaie, clés, clous, vis ou autres petits objets en métal qui pourraient établir une connexion entre une borne et une autre.** Le court-circuitage des bornes d'une pile pourrait causer des brûlures ou un incendie.
- **Dans des conditions d'utilisation abusives, du liquide pourrait être éjecté de la pile ; évitez tout contact. En cas de contact accidentel, lavez avec de l'eau. En cas de contact de liquide avec les yeux, consultez un professionnel de santé.** Tout liquide éjecté d'une pile peut causer de l'irritation ou des brûlures.

- **N'utilisez pas un bloc-piles ou un outil qui est endommagé ou a été modifié.** Des piles endommagées ou modifiées peuvent se comporter de façon imprévisible et causer un incendie, une explosion ou des blessures.
- **N'exposez pas un bloc-piles ou un outil à un feu ou à une température excessive.** L'exposition à un feu ou à une température supérieure à 130° C / 265° F pourrait causer une explosion.
- **Suivez toutes les instructions relatives à la charge et ne chargez pas le bloc-piles ou l'outil en dehors de la plage de température spécifiée dans les instructions.** Une charge dans des conditions appropriées ou à des températures en dehors de la plage spécifiée pourrait endommager la pile et augmenter le risque d'incendie.

Service après-vente

- **Faites entretenir votre outil électrique par un réparateur compétent n'utilisant que des pièces de rechange identiques.** Ceci assurera le maintien de la sécurité de l'outil électrique.
- **Ne tentez jamais de réparer des blocs-piles endommagés.** La réparation de blocs-piles ne doit être effectuée que par le fabricant ou un prestataire de services agréé.

Avertissements relatifs à la sécurité pour le taille-bordure/coupe-herbe

- **N'utilisez pas la machine si le temps est mauvais, en particulier s'il existe un risque de foudre.** Ceci réduit le risque d'être frappé par la foudre.
- **Inspectez attentivement la zone dans laquelle la machine doit être utilisée pour tenir compte de la présence possible d'animaux sauvages.** Les animaux sauvages peuvent être blessés par la machine pendant son fonctionnement.
- **Inspectez minutieusement la zone où la machine doit être utilisée, et retirez tous les paillasons, traîneaux, planches, fils, os et autres corps étrangers.** La projection d'objets peut causer des blessures.
- **Avant d'utiliser la machine, vérifiez toujours visuellement que le couteau ou la lame et l'ensemble de couteau ou de lame ne sont pas endommagés.** Les pièces endommagées augmentent le risque de blessure.
- **Suivez les instructions pour le changement d'accessoires.** Des écrous ou boulons de fixation de la lame mal serrés peuvent endommager la lame ou la détacher.

- **Portez des lunettes de protection, un protège-oreilles, un masque pour la tête et des gants.** Des équipements de protection adéquats réduiront les blessures corporelles causées par la projection de débris ou par un contact accidentel avec le fil de coupe ou la lame.
- **Lors de l'utilisation de la machine, portez toujours des chaussures antidérapantes et protectrices.** N'utilisez pas la machine si vous êtes pieds nus ou si vous portez des sandales ouvertes. Cela réduit les risques de blessures aux pieds en cas de contact avec les couteaux ou les fils en mouvement.
- **Lorsque vous utilisez la machine, portez toujours des pantalons longs.** Une peau exposée augmente le risque de blessure par des objets lancés.
- **Tenez les autres personnes présentes à l'écart pendant l'utilisation de la machine.** La chute de débris pourrait causer des blessures graves.
- **Tenez toujours la machine des deux mains pendant son fonctionnement.** Tenez la machine des deux mains pour éviter d'en perdre le contrôle.
- **Tenez seulement la machine par ses surfaces de préhension isolées, parce que le fil de coupe ou la lame pourrait entrer en contact avec des fils sous tension dissimulés.** Un fil de coupe ou une lame qui entre en contact avec un fil sous tension peut mettre les parties en métal exposées de la machine sous tension et causer un choc électrique à l'opérateur.
- **Gardez toujours un bon équilibre et n'utilisez la machine que si vous êtes debout sur le sol.** Les surfaces glissantes ou instables peuvent vous faire perdre l'équilibre ou vous faire perdre le contrôle de la machine.
- **N'utilisez pas la machine sur des pentes excessivement raides.** Cela réduit le risque de perte de contrôle, de glissement et de chute pouvant entraîner des blessures.
- **Lorsque vous travaillez sur des pentes, soyez toujours sûr(e) de votre équilibre, travaillez toujours en travers de la pente, jamais vers le haut ou vers le bas, et soyez extrêmement prudent(e) lorsque vous changez de direction.** Cela réduit le risque de perte de contrôle, de glissement et de chute pouvant entraîner des blessures.
- **Gardez toutes les parties de votre corps à une distance suffisante du couteau, du fil de coupe ou de la lame lorsque la machine est en marche. Avant de démarrer la machine, assurez-vous que le couteau, le fil de coupe ou la lame n'entre pas en contact avec quoi que ce soit.** Un simple moment d'inattention pendant que vous utilisez la machine pourrait causer une blessure à vous-même ou à d'autres personnes se trouvant à proximité.

- **N'utilisez pas la machine pour couper plus haut que la hauteur de la taille.** Ceci contribue à prévenir un contact accidentel avec le couteau ou la lame et assure un meilleur contrôle de la machine dans des situations inattendues.
- **Lorsque vous coupez des broussailles ou des gaules qui sont sous tension, soyez alerte en raison du risque d'effet de rebond.** Lorsque la tension dans les fibres de bois est relâchée, la broussaille ou la gaule sous tension risque de heurter l'opérateur et/ou de lui faire perdre le contrôle de la machine.
- **Faites preuve d'une grande prudence lorsque vous coupez des broussailles et des jeunes arbres.** Les morceaux de bois minces risquent d'être attrapés par la lame et projetés vers vous à grande vitesse ou de vous déséquilibrer.
- **Gardez le contrôle de la machine et ne touchez pas les couteaux, les fils de coupe ou les lames et autres pièces mobiles dangereuses lorsqu'ils sont en mouvement.** Cela permet de réduire le risque de blessures due aux pièces mobiles.
- **Transportez la machine après l'avoir mise hors tension et en la tenant éloignée de votre corps.** Une manipulation correcte de la machine réduira le risque de contact accidentel avec un couteau, un fil de coupe ou une lame en mouvement
- **N'utilisez que les couteaux, fils de coupe, têtes de coupe et lames de rechange spécifiés par le fabricant.** Des pièces de rechange incorrectes peuvent augmenter le risque de casse et de blessure.
- **Lorsque vous retirez des déchets coincés ou lorsque vous effectuez une opération de maintenance de la machine, assurez-vous que l'interrupteur est en position d'arrêt et que le bloc-piles a été retiré.** Une mise en marche inattendue de la machine pendant que l'opérateur s'efforce d'en retirer des déchets coincés ou est en train d'effectuer une opération d'entretien pourrait causer une blessure grave.
- **Endommagement du taille-bordure/coupe-herbe** – Si vous heurtez un corps étranger avec le taille-bordure/coupe-herbe ou s'il s'emmêle, arrêtez immédiatement l'outil, vérifiez s'il est endommagé et faites-le réparer avant de poursuivre l'opération. N'utilisez pas cet outil avec une bobine ou un dispositif de protection cassé.

- **Si l'équipement commence à vibrer de façon anormale, arrêtez immédiatement le moteur et recherchez la cause du problème.** Des vibrations sont généralement un signe avant-coureur d'un problème. Une tête mal fixée peut vibrer, se fendre, se casser ou se détacher du taille-bordure/ coupe-herbe, ce qui peut entraîner des blessures graves, ou même mortelles. Assurez-vous que l'attachement de coupe est correctement fixé en place. Si la tête se desserre après avoir été fixée en place, remplacez-la immédiatement. N'utilisez jamais un taille-bordure/coupe-herbe dont un attachement de coupe est mal assujéti.
- **A n'utiliser qu'avec le bloc moteur Lithium-Ion de 56 V PH1400/PH1400-FC/ PH1420/PH1420-FC.**

REMARQUE : VOIR LE MODE D'EMPLOI DE VOTRE BLOC MOTEUR POUR PLUS DE RÈGLES DE SÉCURITÉ SPÉCIFIQUES.

CONSERVEZ CES INSTRUCTIONS !

INTRODUCTION

Nous vous félicitons d'avoir choisi ce TAILLE-BORDURE ADAPTABLE. Cet outil a été conçu et fabriqué afin de vous offrir la meilleure fiabilité et le meilleur rendement possible.

Si vous éprouvez un problème que vous n'arrivez pas à régler facilement, veuillez communiquer avec le centre de service à la clientèle d'EGO au 1-855-EGO-5656.

Le présent guide contient des renseignements importants pour assembler, utiliser et entretenir le taille-bordure en toute sécurité. Lisez-le soigneusement avant d'utiliser le taille-bordure.

Conservez ce guide à portée de main afin de pouvoir le consulter à tout moment.

NUMÉRO DE SÉRIE _____ DATE D'ACHAT _____

NOUS VOUS RECOMMANDONS DE NOTER LE NUMÉRO DE SÉRIE ET LA DATE D'ACHAT ET DE LES CONSERVER EN LIEU SÛR AFIN DE POUVOIR LES CONSULTER ULTÉRIEUREMENT.

SPÉCIFICATIONS

Vitesse maximale :	5 800 tr/min
Mécanisme de coupe	Tête de coupe
Type de fil de coupe	Fil de nylon torsadé de 2,4 mm (0,095 po)
Largeur de coupe	40 cm (16 po)
Température de fonctionnement recommandée	0°C-40°C(32°F-104°F)
Température de stockage recommandée	-20°C-70°C(-4°F-158°F)
Poids	1,53 kg (3,36 lb)

Fil de coupe recommandé

NOM DE PIÈCE	TYPE	NUMÉRO DE MODÈLE
Fil de coupe	Fil torsadé de 2,4 mm (0,095 po)	AL2420P AL2420PD AL2450S

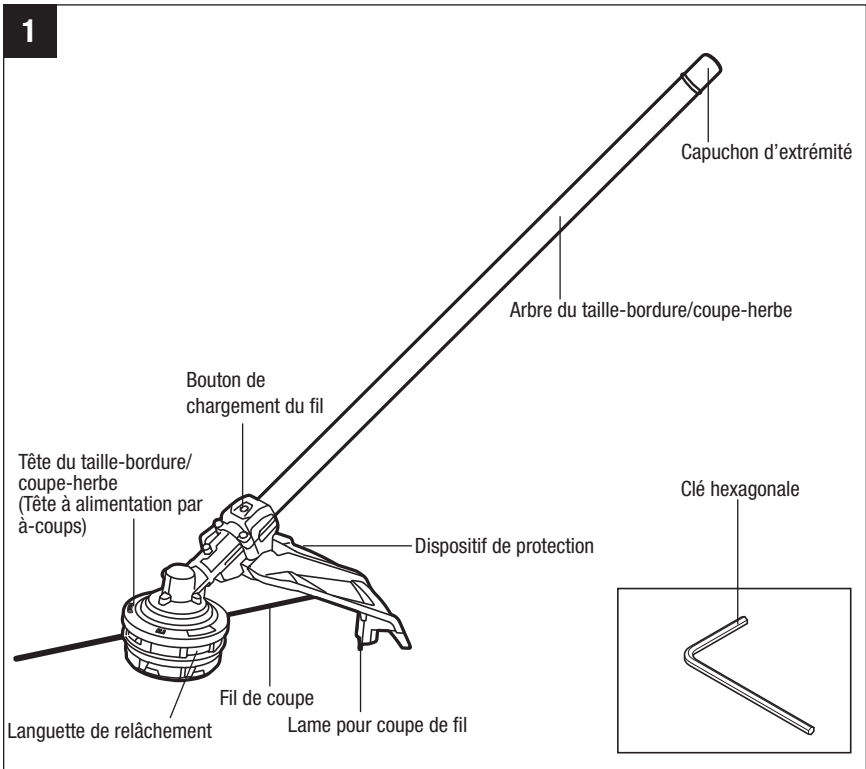
LISTE DES PIÈCES

NOM DE PIÈCE	QUANTITÉ
Attachement de taille-bordure/coupe-herbe	1
Dispositif de protection	1
Clé hexagonale de 4 mm	1
Mode d'emploi	1

DESCRIPTION

FAMILIARISEZ-VOUS AVEC VOTRE ATTACHEMENT DE TAILLE-BORDURE/COUPE-HERBE (Fig. 1)

Pour que ce produit puisse être utilisé en toute sécurité, il est nécessaire de comprendre les informations figurant sur l'outil et dans son mode d'emploi, et de bien maîtriser le projet que vous voulez réaliser. Avant d'utiliser ce produit, familiarisez-vous avec toutes ses fonctionnalités et les consignes de sécurité qui s'y appliquent.



⚠ AVERTISSEMENT : N'utilisez jamais l'outil sans que le dispositif de protection ne soit fermement en place. Le dispositif de protection doit toujours être installé sur l'outil afin d'assurer la sécurité de l'opérateur.

TÊTE DE TAILLE-BORDURE (TÊTE À ALIMENTATION PAR À-COUPS)

Sert à ranger le fil de coupe et à le relâcher quand on tapote légèrement la tête sur un sol ferme pendant le fonctionnement.

DISPOSITIF DE PROTECTION

Réduit le risque de blessures causées par des corps étrangers projetés en direction de l'opérateur et par un contact avec l'attache de coupe.

LAME POUR COUPE DE FIL

Lame en acier intégrée au dispositif de protection qui maintient le fil de coupe à la longueur appropriée.

LANGUETTE DE DÉVERROUILLAGE

Libère le dispositif de retenue de la bobine de la base de la bobine.

BOUTON DE CHARGEMENT DU FIL

Appuyez sur ce bouton pour enrouler automatiquement le fil dans la tête du taille-bordure.

ASSEMBLAGE

⚠ AVERTISSEMENT : Si certaines pièces sont endommagées ou manquantes, n'utilisez pas ce produit avant que ces pièces aient été remplacées. L'utilisation de ce produit avec des pièces endommagées ou manquantes pourrait causer des blessures graves.

⚠ AVERTISSEMENT : Ne tentez pas de modifier ce produit ou de créer des accessoires qu'il n'est pas recommandé d'utiliser avec ce taille-bordure/coupe-herbe. Une telle altération ou modification constituerait une utilisation abusive et pourrait créer une situation dangereuse avec risque de blessures graves.

⚠ AVERTISSEMENT : Ne branchez pas dans le bloc moteur avant d'avoir terminé l'assemblage. Si vous ne respectez pas cet avertissement, vous risqueriez de causer un démarrage accidentel pouvant entraîner des blessures graves.

DÉBALLAGE

- Ce produit nécessite un assemblage.
- Retirez le produit et tous les accessoires de la boîte en prenant les précautions nécessaires. Assurez-vous que tous les articles indiqués sur la liste des pièces sont inclus.

⚠ AVERTISSEMENT : N'utilisez pas ce produit si de quelconques pièces figurant sur la liste des pièces sont déjà montées sur votre produit lorsque vous le sortez de son emballage. Les pièces figurant sur cette liste ne sont pas montées sur le produit par le fabricant. Elles nécessitent une installation par le client. Une utilisation d'un produit pouvant avoir été assemblé de façon incorrecte pourrait causer des blessures graves.

- Inspectez attentivement cet outil pour vous assurer qu'aucun dommage ou bris de pièce(s) ne s'est produit pendant le transport.
- Ne jetez pas les matériaux d'emballage avant d'avoir inspecté attentivement le produit et de l'avoir mis en marche de façon satisfaisante.
- Si une pièce quelconque est endommagée ou manquante, rapportez le produit dans le magasin où vous l'avez acheté.

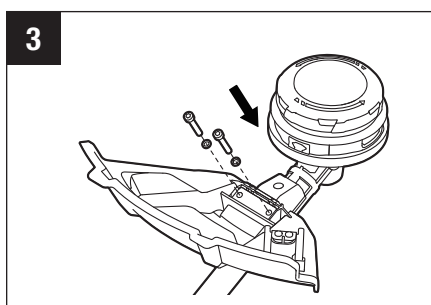
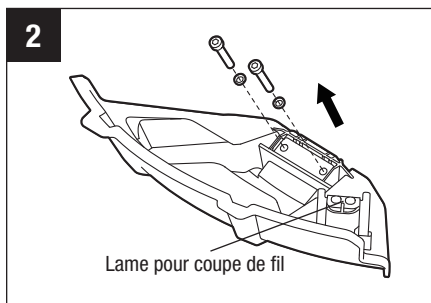
MONTAGE DU DISPOSITIF DE PROTECTION

AVIS : Installez le dispositif de protection avant de connecter l'attacheement au bloc moteur.

⚠ AVERTISSEMENT : Pour réduire les risques de blessures, n'utilisez pas l'outil sans le dispositif de protection en place.

⚠ AVERTISSEMENT : Portez toujours des gants lorsque vous montez ou remplacez le dispositif de protection. Faites attention à la lame de coupe de fil sur le dispositif de protection, et protégez-vous les mains pour qu'elles ne risquent pas d'être blessées par la lame.

1. Desserrez les deux boulons sur le dispositif de protection en utilisant la clé hexagonale fournie ; retirez les boulons et les rondelles à ressort du dispositif de protection (Fig. 2).
2. Soulevez la tête du taille-bordure/coupe-herbe et orientez-la vers le haut ; alignez les deux trous de montage dans le dispositif de protection sur les deux trous de montage dans la base de l'arbre. Assurez-vous que la surface interne du dispositif de protection est orientée vers la tête du taille-haie/cope-herbe (Fig. 3).
3. Utilisez la clé hexagonale fournie pour fixer le dispositif de protection en place avec les boulons et les rondelles.



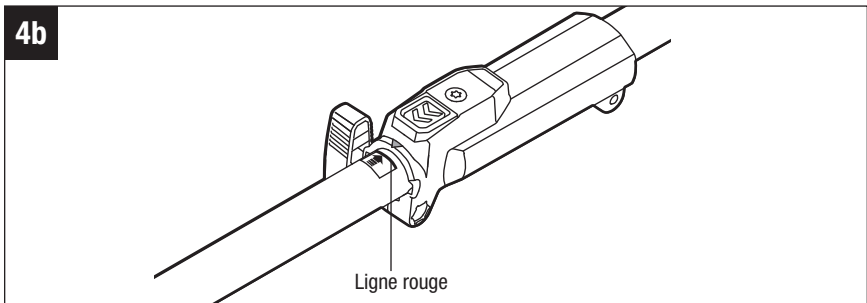
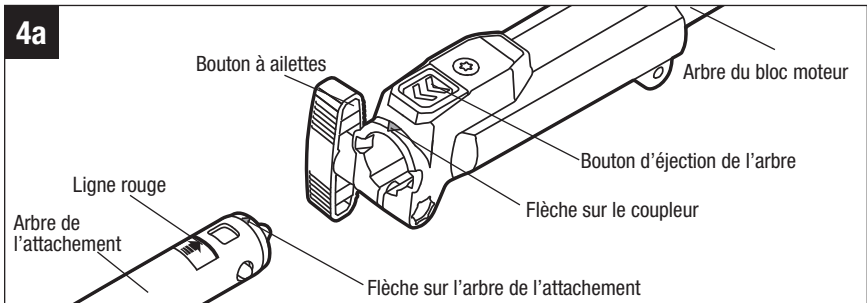
CONNEXION DE L'ATTACHEMENT DU TAILLE-BORDURE/COUPE-HERBE AU BLOC MOTEUR

⚠ AVERTISSEMENT : Ne fixez ou ne réglez jamais un attacheement lorsque le bloc moteur est en marche ou lorsque la pile est installée. Si vous n'arrêtez pas le moteur et ne retirez pas la pile, vous risquez de vous blesser gravement.

Cet attacheement de taille-bordure/cope-herbe est conçu pour être utilisé uniquement avec le bloc moteur EGO PH1400/ PH1400-FC/ PH1420/ PH1420-FC.

L'attachement de taille-bordure/coupe-herbe est relié au bloc moteur au moyen d'un dispositif de couplage.

1. Arrêtez le moteur et retirez le bloc-piles.
2. Desserrez le bouton à ailettes du coupleur du bloc moteur.
3. Retirez le capuchon de l'arbre de l'attachement de taille-bordure/coupe-herbe s'il y est installé, et conservez-le dans un endroit sûr en vue d'une utilisation ultérieure. Alignez la flèche de l'arbre du taille-bordure/coupe-herbe sur la flèche du coupleur (Fig. 4a) et poussez l'arbre du taille-bordure/coupe-herbe dans le coupleur jusqu'à ce que vous entendiez clairement un déclic. Le coupleur doit être positionné en étant enfoncé complètement, jusqu'à la LIGNE ROUGE inscrite sur l'arbre du taille-bordure/coupe-herbe : la ligne rouge doit être au même niveau que le bord du coupleur (Fig. 4b).



4. Tirez sur l'arbre de l'attachement de taille-bordure/coupe-herbe pour vérifier qu'il est bien verrouillé dans le coupleur. Si ce n'est pas le cas, faites tourner l'arbre du taille-bordure/coupe-herbe d'un côté à l'autre dans le coupleur jusqu'à ce qu'un déclic clair indique qu'il est bien engagé.
5. Serrez à fond le bouton à ailettes.

⚠ AVERTISSEMENT : Assurez-vous que le bouton à ailettes est serré à fond avant de mettre l'équipement en marche ; vérifiez-le de temps en temps pour vous assurer qu'il est bien serré pendant l'utilisation de la machine pour éviter tout risque de blessure grave.

RETRAIT DE L'ATTACHEMENT DU BLOC MOTEUR.

1. Arrêtez le moteur et retirez le bloc-piles.
2. Desserrez le bouton à ailettes.
3. Appuyez sur le bouton d'éjection de l'arbre et, avec le bouton enfoncé, tirez ou tournez l'attacheement pour le faire sortir du coupleur

FONCTIONNEMENT

⚠ AVERTISSEMENT : Ne laissez pas l'habitude de l'utilisation de ce produit vous empêcher de prendre toutes les précautions requises. N'oubliez jamais qu'une fraction de seconde d'inattention suffit pour entraîner de graves blessures.

⚠ AVERTISSEMENT : Utilisez toujours un équipement de protection des yeux avec des écrans latéraux indiquant qu'il est conforme à la norme ANSI Z87.1. Si vous ne portez pas un tel dispositif de protection, vous pourriez subir des blessures graves, y compris en conséquence de la projection d'objets dans vos yeux.

⚠ AVERTISSEMENT : N'utilisez pas d'attachelements ou d'accessoires qui ne sont pas recommandés par le fabricant de ce produit. L'utilisation d'attachelements ou d'accessoires non recommandés pourrait causer des blessures graves.

APPLICATIONS

Vous pouvez utiliser ce produit pour faire ce qui suit :

- Taille de gazon et des mauvaises herbes autour des vérandas, des clôtures et des terrasses.

TENUE DU TAILLE-BORDURE/ COUPE HERBE AVEC LE BLOC- MOTEUR (Fig. 5)

⚠ AVERTISSEMENT : Habillez-vous de façon appropriée pour réduire le risque de blessure lorsque vous utilisez cet outil. Ne portez pas de bijoux ou de vêtements amples. Portez des lunettes de sécurité et des protège-oreilles ou un autre équipement de protection de l'ouïe. Portez des pantalons longs robustes, des bottes et des gants. Ne portez pas de shorts ou de sandales, et n'utilisez pas cet outil en étant pieds nus.



Tenez le taille-bordure/coupe-herbe avec une main sur la poignée arrière et l'autre main sur la poignée avant. Gardez une prise ferme avec les deux mains pendant l'utilisation de l'outil. Le taille-bordure/coupe-herbe doit être tenu dans une position confortable, la poignée arrière se trouvant à peu près à hauteur des hanches. La tête du taille-bordure/coupe-herbe est parallèle au sol et entre facilement en contact avec le matériau à couper sans que l'opérateur ait à se pencher.

UTILISATION DU TAILLE-BORDURE/COUPE-HERBE

⚠ AVERTISSEMENT : Pour éviter des blessures graves, portez des lunettes de protection ou des lunettes de sécurité à tout moment lorsque vous utilisez cet appareil. Portez un masque facial ou un masque de protection contre la poussière dans les endroits poussiéreux.

Dégagez la zone à couper avant chaque utilisation. Retirez tous les objets, tels que les pierres, le verre brisé, les clous, le fil de fer ou la ficelle qui peuvent être jetés dans l'attachement de coupe ou s'emmêler dans celui-ci. Assurez-vous qu'il n'y a pas d'enfants ou d'autres personnes, ou des animaux domestiques, à proximité. Au minimum, gardez tous les enfants, les autres personnes présentes et les animaux domestiques à une distance d'au moins 15 m / 50 pi ; les personnes présentes peuvent malgré tout être exposées à la projection d'objets. Toutes les personnes présentes doivent être encouragées à porter des lunettes de protection. Si quelqu'un s'approche de vous, arrêtez immédiatement le moteur et l'attachement de coupe.

⚠ AVERTISSEMENT : Pour éviter tout risque de blessure grave, retirez le bloc-piles de l'outil avant de le réparer ou de le nettoyer, ou de retirer des déchets de l'outil.

Assurez-vous qu'il n'y a pas de pièces endommagées ou excessivement usées avant chaque utilisation.

Inspectez la tête du taille-bordure/coupe-herbe, son dispositif de protection et la poignée avant, et remplacez toutes les pièces qui sont fissurées, tordues, recourbées ou endommagées de quelque façon que ce soit.

La lame pour couper le fil sur le bord du dispositif de protection peut s'émousser avec le temps. Il est recommandé que vous affûtiez périodiquement la lame avec une lime ou que vous la remplaciez par une nouvelle lame.

⚠ AVERTISSEMENT : Portez toujours des gants quand vous montez ou remplacez le dispositif de protection ou quand vous affûtez ou remplacez la lame. Notez la position de la lame sur le dispositif de protection et faites en sorte que votre main ne soit pas exposée à une blessure.

Nettoyez le taille-bordure/coupe-herbe après chaque utilisation.

Veuillez consulter la rubrique Maintenance pour des instructions sur le nettoyage.

⚠ AVERTISSEMENT : N'utilisez jamais d'eau pour nettoyer votre taille-haie. Évitez d'utiliser des solvants lorsque vous nettoyez des pièces en plastique. La plupart des plastiques sont susceptibles d'être endommagés par divers types de solvants commerciaux. Utilisez des chiffons propres pour retirer les saletés, la poussière, l'huile, la graisse, etc.

Assurez-vous que la tête du taille-bordure/coupe-herbe n'est pas bloquée

Pour éviter tout blocage, gardez la tête du taille-bordure/coupe herbe propre. Retirez toute l'herbe coupée, les feuilles, les saletés et tous les autres débris accumulés avant et après chaque utilisation.

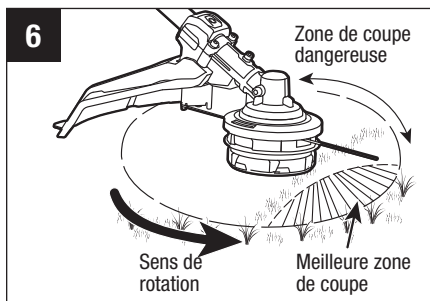
En cas de blocage, arrêtez le taille-bordure/coupe-herbe et retirez la batterie, puis enlevez toute l'herbe qui a pu s'enrouler autour de l'arbre du moteur ou de la tête du taille-bordure/coupe-herbe.

MISE EN MARCHÉ/ ARRÊT DE L'OUTIL

Voir la section « **DÉMARRAGE/ARRÊT DU BLOC MOTEUR** » dans le mode d'emploi du bloc moteur PH1400/ PH1400 -FC/PH1420/PH1420-FC.

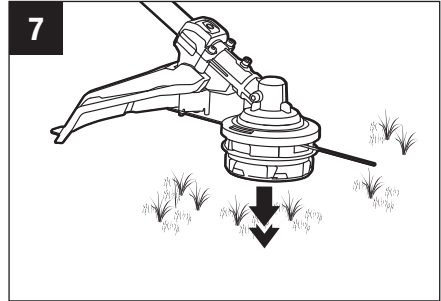
Conseils pour obtenir les meilleurs résultats de l'utilisation du taille-bordure/ coupe-herbe (Fig. 6)

- L'angle correct pour l'attachement de coupe est quand il est parallèle au sol.
- Ne forcez pas le taille-bordure/ coupe-herbe. Laissez la pointe du fil faire la coupe (en particulier le long des murs). Si vous coupez avec plus que la pointe, vous réduisez l'efficacité de la coupe et vous risquez également de surcharger le moteur.
- La hauteur de coupe est déterminée par la distance entre le fil de coupe et la surface de la pelouse.
- L'herbe de plus de 20 cm / 8 po de haut doit être coupée en travaillant de haut en bas en petits incréments pour éviter une usure prématurée du fil ou un ralentissement du moteur.
- Déplacez lentement le taille-bordure/coupe-herbe dans la zone à couper et maintenez la position de la tête de coupe à la hauteur de coupe désirée. Ce mouvement peut être soit un mouvement d'avant en arrière, soit un mouvement latéral. Le fait de couper des longueurs plus courtes produit les meilleurs résultats.
- Ne coupez pas quand la pelouse et les mauvaises herbes sont mouillées.
- Le contact avec les fils de fer et les clôtures peut causer une usure plus rapide ou le bris de l'équipement. Tout contact avec les murs en pierres ou en briques, les trottoirs et le bois peut user rapidement la chaîne de l'équipement.
- Évitez les arbres et les arbustes. L'écorce des arbres, les moulures en bois, les revêtements d'habitations et les poteaux de clôtures peuvent être facilement endommagés par cet équipement.



RÉGLAGE DE LA LIGNE DE COUPE LONGUEUR

La tête du taille-bordure/coupe-herbe permet à l'opérateur de relâcher une longueur supplémentaire de fil de coupe sans devoir arrêter le moteur. Lorsque fil s'effiloche ou devient usé, il est possible de relâcher plus de fil en tapotant légèrement la tête du taille-haie contre le sol tout en laissant le taille-haie en marche (Fig. 7).



⚠ AVERTISSEMENT : Ne retirez pas et n'altérez pas l'ensemble de lame pour couper le fil. Une longueur de fil excessive causera la surchauffe du moteur et pourrait entraîner une blessure grave.

Pour obtenir les meilleurs résultats possibles, tapotez la tête du taille-haie sur le sol nu ou sur une surface dure. Si vous tentez de relâcher le fil dans de l'herbe haute, le moteur risque de surchauffer. Gardez toujours le fil de coupe complètement sorti. Il est plus difficile de relâcher du fil si le fil de coupe est plus court.

REMPACEMENT DU FIL

⚠ AVERTISSEMENT : N'utilisez jamais un fil renforcé par du métal, un fil métallique, une corde, etc. Ils risqueraient de se casser et de devenir des projectiles dangereux.

⚠ AVERTISSEMENT : Utilisez toujours le fil de coupe en nylon recommandé avec un diamètre ne dépassant pas 2,4 mm / 0,095 po. L'utilisation d'un fil de diamètre différent de celui qui est indiqué pourrait causer une surchauffe du taille-bordure/coupe-herbe ou son endommagement.

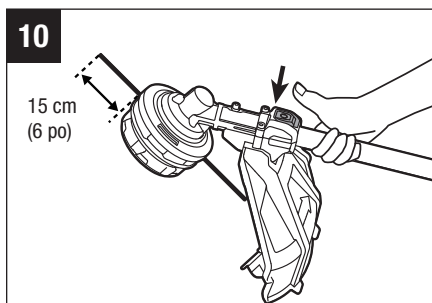
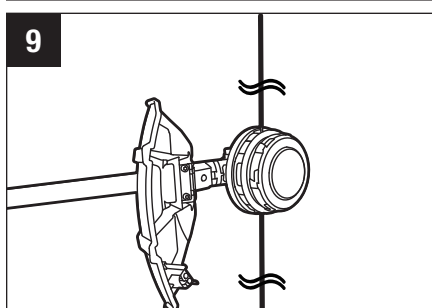
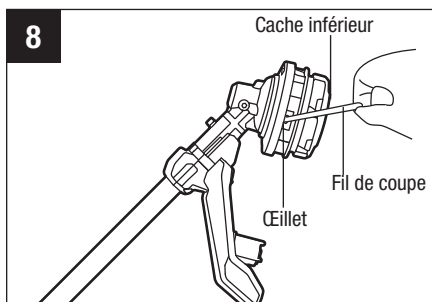
Le taille-bordure/coupe-herbe est muni d'un système **POWERLOAD™** très perfectionné. Le fil de coupe peut être enroulé sur la bobine simplement en appuyant sur un seul bouton. Le chargement d'une bobine pleine peut habituellement être réalisé en 12 secondes. **Évitez de répéter l'activation du système d'enroulement en succession rapide afin de réduire le risque d'endommagement du moteur.**

AVIS : Le système **POWERLOAD™** n'est disponible que lorsque l'attachement est connecté au bloc-moteur PH1420/PH1420-FC et lorsque le bloc-pile est installé.

1. Détachez le bloc-piles du bloc moteur.
2. Coupez un morceau de fil de coupe de 4 m / 13 pi de long.
3. Insérez le fil dans l'œillet (Fig. 8) et poussez le fil jusqu'à ce que le bout du fil ressorte de l'œillet opposé.

AVIS : Si le fil ne peut pas être inséré dans l'œillet parce que le cache inférieur est bloqué, installez le bloc-piles sur le bloc-moteur, puis appuyez brièvement sur le bouton de chargement du fil pour réinitialiser le cache inférieur.

4. Retirez le bloc-piles s'il avait été installé sur le bloc moteur conformément à l'AVIS suivant la troisième étape.
5. Tirez le fil de l'autre côté jusqu'à ce que des longueurs de fil égales apparaissent des deux côtés de la tête du taille-bordure/coupe-herbe (Fig.9).
6. Installez le bloc-piles sur le bloc moteur.
7. Appuyez sur le bouton de charge du fil pour mettre le moteur d'enroulement du fil en marche. Le fil sera enroulé continuellement sur la tête du taille-bordure/coupe-herbe (Fig. 10).



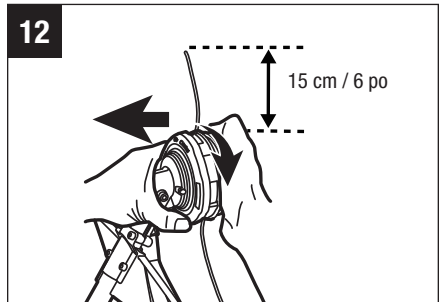
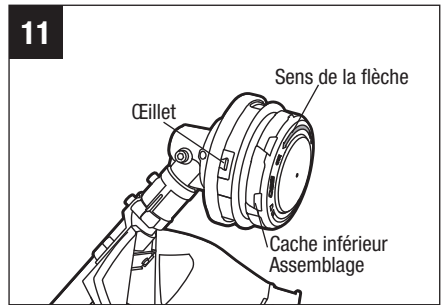
8. Observez attentivement la longueur de fil restante. Préparez-vous à relâcher le bouton dès qu'il restera environ 19 cm / 7,5 po de fil de chaque côté. Appuyez brièvement sur le bouton de chargement du fil afin de régler la longueur jusqu'à ce que 15 cm / 6 po de fil soit visible de chaque côté.
9. Poussez la tête du taille-bordure/coupe-herbe vers le bas tout en tirant sur les fils pour faire avancer manuellement le fil afin de vérifier le bon assemblage du fil de coupe.

AVIS : Au cas où le fil serait attiré dans la tête du taille-bordure/coupe-herbe par accident, ouvrez la tête et tirez sur le fil de coupe pour le faire sortir de la bobine. Suivez les instructions de la section intitulée « **RECHARGEMENT DU FIL DE COUPE** » dans ce mode d'emploi pour recharger le fil.

AVIS : Lorsque l'attachement est connecté au bloc moteur PH1400/ PH1400-FC, le système **POWERLOAD™** ne fonctionne pas. Dans ce cas, le fil doit être rechargé manuellement. Reportez-vous à la section intitulée « **Remplacement manuel du fil de coupe** » de ce mode d'emploi pour recharger le fil.

REPLACEMENT MANUEL DU FIL DE COUPE

1. Retirez le bloc-piles.
2. Coupez un morceau de fil de coupe de 4 m / 13 pi de long.
3. Insérez le fil dans l'œillet (Fig. 11) et poussez le fil jusqu'à ce que le bout du fil ressorte de l'œillet opposé.
4. Tirez le fil de l'autre côté jusqu'à ce que des longueurs de fil égales apparaissent des deux côtés.
5. Appuyez sur l'ensemble de cache inférieur et faites-le tourner dans le sens indiqué par la flèche pour enrouler le fil de coupe autour de la bobine jusqu'à ce qu'une longueur de fil d'environ 15 cm / 6 po soit visible de chaque côté (Fig. 12).
6. Poussez l'ensemble de cache inférieur vers le bas tout en tirant sur deux extrémités du fil pour faire avancer manuellement le fil et pour vérifier le bon assemblage de la tête du taille-bordure/coupe-herbe.

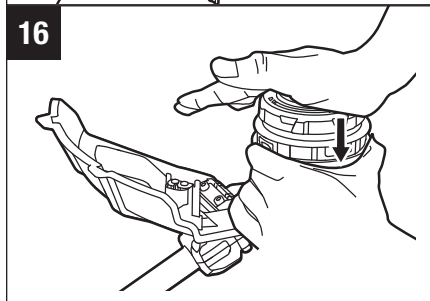
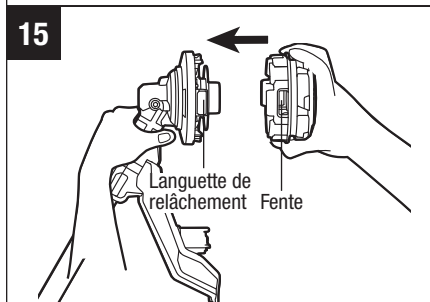
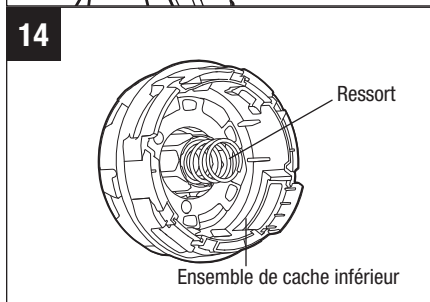
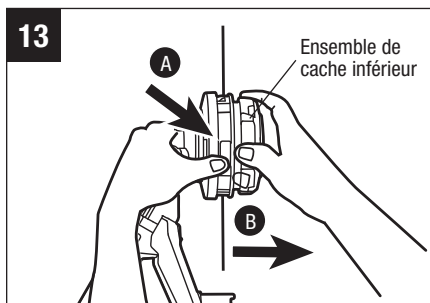


RECHARGEMENT DU FIL DE COUPE

AVIS : Lorsque le fil de coupe se casse en sortant de l'œillet ou lorsque le fil de coupe n'est pas relâché quand la tête du taille-bordure est taraudée, vous devrez retirer le fil de coupe restant de la tête de coupe et suivre les étapes ci-dessous pour recharger le fil.

1. Détachez le bloc-piles du bloc moteur.
2. Appuyez sur les languettes de relâchement (A) sur la tête du taille-bordure/coupe-herbe et retirez l'ensemble de cache inférieur de la tête du taille-bordure/coupe-herbe en tirant tout droit pour le faire sortir (Fig. 13).
3. Retirez le fil de coupe de la tête du taille-bordure/coupe-herbe.
4. Insérez le ressort dans la fente de l'ensemble du couvercle inférieur s'il s'est détaché de l'ensemble du ressort inférieur (Fig. 14).
5. Tout en tenant le taille-bordure/coupe-herbe d'une main, servez-vous de l'autre main pour saisir l'ensemble de cache inférieur, et alignez les fentes dans l'ensemble de cache inférieur sur les languettes de relâchement. Appuyez sur l'ensemble de cache inférieur jusqu'à ce qu'il soit positionné en place. Vous entendrez alors un déclic très clair (Fig. 15, 16).
6. Suivez les instructions figurant dans la section intitulée

« **REEMPLACEMENT DU FIL DE COUPE** » pour recharger le fil de coupe.



ENTRETIEN

⚠ AVERTISSEMENT : Lors de toute réparation, n'utilisez que des pièces de rechange identiques. L'utilisation de toutes autres pièces de rechange pourrait créer un danger ou endommager le produit. Pour assurer la sécurité et la fiabilité, toutes les réparations doivent être effectuées par un technicien de service qualifié.

⚠ AVERTISSEMENT : Il n'est pas nécessaire de brancher les outils alimentés par des piles dans une prise de courant ; ils sont toujours en état de fonctionnement. Pour éviter tout risque de blessure grave, prenez des précautions supplémentaires lorsque vous effectuez une opération d'entretien ou de maintenance, ou lorsque vous changez l'attachement de coupe ou d'autres attachements.

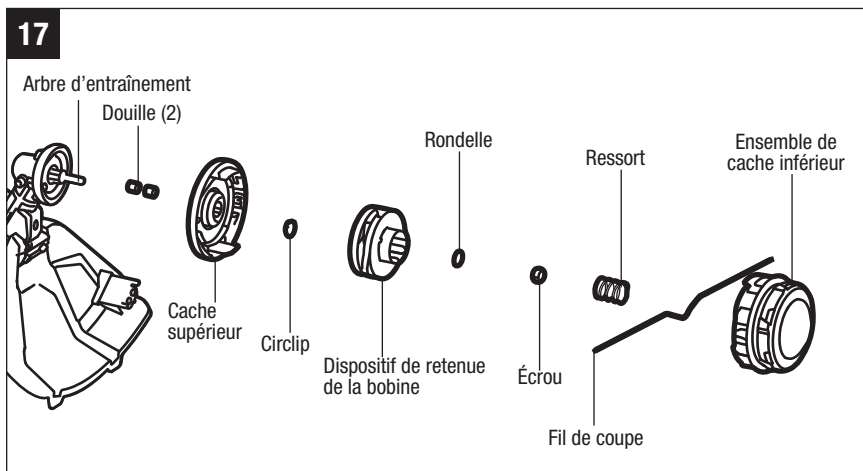
⚠ AVERTISSEMENT : Pour éviter tout risque de blessure grave, retirez le bloc-piles du bloc moteur avant de le réparer ou de le nettoyer, ou de changer des attachements, ou lorsque le produit n'est pas utilisé.

Toutes les opérations d'entretien du taille-haie, à l'exception de celles qui sont mentionnées dans ces instructions de maintenance, doivent être effectuées par des techniciens qualifiés pour la réparation d'un taille-haie.

REPLACEMENT DE LA TÊTE DU TAILLE-BORDURE/COUPE-HERBE

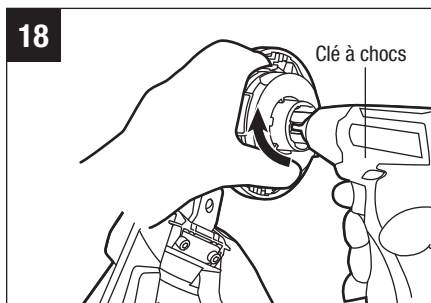
⚠ DANGER : Si la tête se desserre après avoir été fixée en place, remplacez-la immédiatement. N'utilisez jamais un taille-bordure/coupe-herbe dont un attachement de coupe est mal assujéti. Remplacez immédiatement toute tête fissurée, endommagée ou usée, même si le dommage est limité à des fissures superficielles. De tels attachements risqueraient de se fracasser à haute vitesse et de causer des blessures graves.

Familiarisez-vous avec la tête du taille-bordure/coupe-herbe (Fig. 17).



Retrait de la tête du taille-bordure/coupe-herbe

1. Détachez le bloc-piles du bloc moteur.
2. Appuyez sur les languettes de relâchement de la tête du taille-bordure/coupe-herbe et retirez l'ensemble de cache inférieur de la tête du taille-bordure/coupe-herbe en tirant tout droit pour le faire sortir. (Fig. 13).
3. Retirez le fil de coupe de la tête du taille-bordure/coupe-herbe.
4. Retirez le ressort de l'ensemble de la bobine s'il s'est détaché de l'ensemble du ressort inférieur. Conservez-le en vue du remontage.
5. Portez des gants. Utilisez une main pour saisir l'ensemble de bobine afin de le stabiliser et utilisez l'autre main pour tenir une clé à chocs ou une clé à douille de 14 mm (non incluse) pour desserrer l'écrou dans le **SENS DES AIGUILLES D'UNE MONTRE** (Fig. 18).
6. Retirez l'écrou, la rondelle et le dispositif de retenue de la bobine de l'arbre d'entraînement (Fig. 17).



7. Utilisez une pince à becs pointus (non incluse) pour détacher le circlip. Retirez le cache supérieur et deux rondelles de l'arbre d'entraînement (Fig. 17).
8. Remplacez la tête par une nouvelle tête de taille-bordure/coupe-herbe et montez-la en suivant les instructions du chapitre intitulé « **Installation de la nouvelle tête de taille-bordure/coupe-herbe** ».

Installation de la nouvelle tête du taille-bordure/coupe-herbe

1. Montez les deux douilles sur l'arbre d'entraînement.
 2. Alignez la fente plate dans le cache supérieur sur la partie plate de l'arbre d'entraînement et montez le cache supérieur en place (Fig. 19).
-
3. Montez le circlip, le dispositif de retenue de la bobine et la rondelle dans cet ordre (Fig. 17). Utilisez une douille de 14 mm ou une clé à chocs pour serrer l'écrou **DANS LE SENS CONTRAIRE DES AIGUILLES D'UNE MONTRE**.
 4. Suivez les étapes 4 & 5 de la section intitulée « **RECHARGEMENT DU FIL DE COUPE** » dans ce mode d'emploi pour monter l'ensemble de cache inférieur.
 5. Suivez les instructions figurant dans la section intitulée « **REMPLACEMENT DU FIL DE COUPE** » dans ce mode d'emploi pour recharger le fil de coupe.
 6. Mettez l'outil en marche pour voir si le taille-bordure/coupe-herbe fonctionne normalement. S'il ne fonctionne pas normalement, remontez-le tel que décrit ci-dessus.

AFFÛTAGE DE LA LAME DE COUPE DU FIL

⚠ AVERTISSEMENT : Protégez toujours vos mains en portant des gants épais lorsque vous effectuez des travaux d'entretien sur la lame de coupe du fil.

1. Retirez la pile.
2. Retirez la lame de coupe du fil du dispositif de protection.
3. Sécurisez la lame dans un étau.

4. Portez une protection des yeux appropriée ainsi que des gants, et faites attention de ne pas vous couper.
5. Affûtez les bords de coupe de la lame avec précaution en utilisant une lime à dents fines ou une pierre à aiguiser, et veillez à conserver l'angle du bord de coupe d'origine.
6. Remettez la lame sur le dispositif de protection et sécurisez-la en place au moyen des deux vis prévues à cet effet.

LUBRIFICATION DES ENGRENAGES DE LA BOÎTE DE VITESSES

Les engrenages de la boîte de vitesses doivent être lubrifiés périodiquement avec de la graisse à engrenages. Vérifiez le niveau de graisse de la boîte de vitesses environ toutes les 50 heures de fonctionnement en retirant la vis de couverture sur le côté du cache.

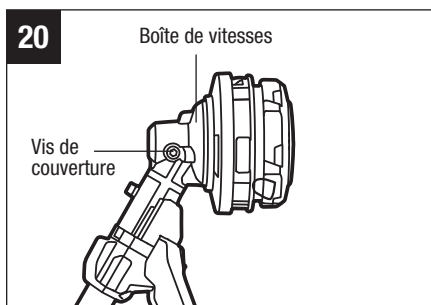
Si vous ne voyez pas de graisse sur les côtés des engrenages, suivez les étapes ci-dessous pour remplir la boîte de vitesses jusqu'aux 3/4 de sa capacité.

Ne remplissez pas complètement la boîte de vitesses de graisse.

1. Tenez le taille-bordure/coupe-herbe sur son côté de façon que la vis de couverture soit orientée vers le haut (Fig. 20).
2. Utilisez la clé hexagonale fournie pour desserrer et retirer la vis de couverture.
3. Utilisez un pistolet à graisse (non fourni) pour injecter de la graisse dans le trou de la vis ; ne dépassez pas les 3/4 de la capacité.
4. Serrez la vis de couverture après l'injection.

NETTOYAGE DE L'ÉQUIPEMENT

- Retirez la pile.
- Retirez toute l'herbe qui peut s'être accumulée autour de l'arbre d'entraînement ou de la tête du taille-bordure/coupe-herbe.



- Utilisez une petite brosse ou un petit aspirateur pour nettoyer les événements d'aération sur le logement arrière.
- Assurez-vous que les événements d'aération ne sont jamais bouchés.
- Nettoyez l'équipement en utilisant un chiffon humide avec un détergent doux.
- N'utilisez pas de détergents trop forts sur le boîtier en plastique ou sur la poignée. Ils pourraient être endommagés par certaines huiles aromatiques, comme le pin et le citron, et par des solvants tels que le kérosène. L'humidité peut également causer un risque de choc. Essuyez toute humidité avec un chiffon doux et sec.

RANGEMENT DE L'ÉQUIPEMENT

- Détachez le bloc-piles du bloc moteur.
- Nettoyez soigneusement l'outil avant de le ranger.
- Rangez l'outil dans un endroit sec et bien aéré, verrouillé ou en hauteur, hors de portée des enfants. Ne rangez pas cet équipement sur des engrais, de l'essence ou d'autres produits chimiques, ou à proximité de ceux-ci.

DÉPANNAGE

PROBLÈME	CAUSE	SOLUTION
Le taille-bordure ne démarre pas.	<ul style="list-style-type: none">■ Le bloc-pile n'est pas installé dans l'ensemble moteur.■ Il n'y a pas de contact électrique entre l'ensemble moteur et le bloc-pile.■ Le bloc-pile est déchargé.■ Le levier de blocage et la gâchette ne sont pas enclenchés simultanément.	<ul style="list-style-type: none">■ Attachez le bloc-piles au bloc moteur.■ Retirez les piles, inspectez les contacts et réinstallez le bloc-piles jusqu'à ce qu'il s'enclenche en place.■ Chargez le bloc-piles avec un chargeur EGO indiqué dans le mode d'emploi du bloc moteur.■ Suivez les instructions de la section intitulée « DÉMARRAGE/ARRÊT DU BLOC MOTEUR » dans le mode d'emploi de la machine PH1420/ PH1420-FC/ PH1400/PH1400-FC.

PROBLÈME	CAUSE	SOLUTION
<p>Le taille-bordure/coupe-herbe cesse de fonctionner pendant qu'il est en train de couper.</p>	<ul style="list-style-type: none"> ■ Le dispositif de protection n'est pas monté sur le taille-bordure/coupe-herbe, ce qui produit un fil de coupe excessivement long et entraîne la surcharge du moteur. ■ Un fil de coupe lourd est utilisé. ■ De l'herbe empêche l'arbre du moteur ou la tête du taille-bordure/coupe-herbe de fonctionner normalement. ■ Le moteur est en état de surcharge. ■ Le bloc-piles ou le taille-bordure/coupe-herbe est trop chaud. ■ Le bloc-piles est déconnecté de l'outil. ■ Les piles du bloc-piles sont déchargées. 	<ul style="list-style-type: none"> ■ Retirez le bloc-piles et montez le dispositif de protection sur le taille-bordure/coupe-herbe. ■ Utilisez un fil de coupe en nylon recommandé avec un diamètre ne dépassant pas 2,4 mm / 0,095 po. ■ Arrêtez le taille-bordure/coupe-herbe, retirez les piles et détachez l'herbe pouvant s'être accumulée sur l'arbre d'entraînement et la tête du taille-bordure/coupe-herbe. ■ Retirez de l'herbe la tête du taille-bordure/coupe-herbe. Le moteur pourra recommencer à fonctionner dès que la charge aura été retirée. Lorsque vous êtes en train de couper, déplacez la tête du taille-bordure/coupe-herbe pour la faire entrer dans l'herbe à couper et l'en faire sortir, et ne retirez pas plus de 20 cm / 8 po de long en une seule opération de coupe. ■ Laissez le bloc-piles ou le taille-bordure/coupe-herbe refroidir jusqu'à ce que la température descende en dessous de 67° C / 152° F. ■ Réinstallez le bloc-piles. ■ Chargez le bloc-piles avec un chargeur EGO indiqué dans le mode d'emploi du bloc moteur.

PROBLÈME	CAUSE	SOLUTION
La tête du taille-bordure/ coupe-herbe ne fait pas avancer le fil.	<ul style="list-style-type: none"> ■ De l'herbe empêche l'arbre du moteur ou la tête du taille-bordure/coupe-herbe de fonctionner normalement. ■ Il ne reste pas assez de fil sur la bobine. ■ Le fil est emmêlé dans la bobine. ■ Le fil est trop court. 	<ul style="list-style-type: none"> ■ Arrêtez le taille-bordure/coupe-herbe, retirez les piles et nettoyez l'arbre du moteur et la tête du taille-bordure/coupe-herbe. ■ Retirez la pile et remplacez le fil de coupe en suivant les instructions figurant dans la section intitulée « CHARGEMENT DU FIL DE COUPE » de ce mode d'emploi. ■ Retirez la pile, puis retirez le fil de coupe de la bobine et rebobinez en suivant les instructions figurant dans la section intitulée « CHARGEMENT DU FIL DE COUPE » de ce mode d'emploi. ■ Retirez la pile et tirez à la main sur les fils tout en enfonçant et relâchant alternativement la tête du taille-bordure/ coupe-herbe.
De l'herbe enveloppe la tête du taille-bordure/ coupe-herbe et le boîtier du moteur.	<ul style="list-style-type: none"> ■ Coupe d'herbes hautes au niveau du sol. 	<ul style="list-style-type: none"> ■ Coupez l'herbe haute de haut en bas, en ne coupant pas plus de 20 cm / 8 po à la fois afin d'éviter qu'elle ne s'accumule autour de l'outil.
La lame ne coupe pas le fil.	<ul style="list-style-type: none"> ■ La lame pour couper le fil sur le bord du dispositif de protection est émoussée. 	<ul style="list-style-type: none"> ■ Affûtez la lame pour couper le fil avec une lime ou remplacez-la par une nouvelle lame.
Fissures sur la tête du taille-bordure/coupe-herbe ou détachement du dispositif de retenue de la bobine de la base de la bobine.	<ul style="list-style-type: none"> ■ La tête du taille-bordure/ coupe-herbe est usée. ■ L'écrou qui verrouille la tête du taille-bordure/ coupe-herbe est mal assujéti. 	<ul style="list-style-type: none"> ■ Remplacez immédiatement la tête du taille-bordure/coupe-herbe en suivant les instructions figurant dans la section « REMPLACEMENT DE LA TÊTE DU TAILLE-BORDURE » de ce mode d'emploi. ■ Ouvrez la tête du taille-bordure/coupe-herbe et utilisez une clé à chocs ou une douille de 14 mm pour serrer l'écrou.

PROBLÈME	CAUSE	SOLUTION
<p>Le fil de coupe ne peut pas être enroulé correctement dans la tête du taille-bordure.</p>	<ul style="list-style-type: none"> ■ Un fil de coupe inapproprié est utilisé. ■ Des débris d'herbe ou des saletés se sont accumulés dans la tête du taille-bordure/coupe-herbe et ont bloqué le mouvement de la bobine de fil. ■ Le moteur est surchauffé en raison d'une utilisation répétée du système d'enroulement du fil. ■ Piles presque déchargées. 	<ul style="list-style-type: none"> ■ Nous suggérons que vous utilisiez le fil de coupe en nylon d'origine d'EGO ; voir la rubrique « Fil de coupe recommandé » de ce mode d'emploi. Si vous utilisez le fil en nylon et le problème persiste, veuillez contacter le centre de service à la clientèle d'EGO pour demander conseil. ■ Retirez la pile, ouvrez la tête du taille-bordure/coupe-herbe et nettoyez-la complètement. ■ Laissez le taille-bordure/coupe-herbe fonctionner à vide pendant quelques minutes afin de refroidir le moteur, puis essayez de recharger le fil. ■ Rechargez la pile.
<p>Le fil de coupe ne peut pas être acheminé à travers la tête du taille-bordure/coupe-herbe quand vous insérez le fil.</p>	<ul style="list-style-type: none"> ■ Le fil de coupe est fendu ou recourbé à son extrémité. ■ Le cache inférieur n'est pas relâché dans sa position après la réinstallation. 	<ul style="list-style-type: none"> ■ Coupez le bout usé du fil et réinsérez le fil. ■ Attachez le bloc-piles au taille-bordure/coupe-herbe ; appuyez sur le bouton de chargement du fil pour déclencher brièvement le système de charge électrique afin de réinitialiser le cache inférieur.

GARANTIE LIMITÉE D'EGO

CONDITIONS ET DURÉE DE LA POLITIQUE DE GARANTIE

Chervon North America, Inc. (« Chervon North America ») accorde la Garantie limitée suivante pour les produits EGO à l'acheteur initial de produits EGO.

La période de garantie détaillée de chaque produit EGO est indiquée en ligne à l'adresse <http://egopowerplus.com/warranty-policy>.

Veillez contacter le Service à la clientèle d'EGO en téléphonant au 1-855-EGO-5656 (appel gratuit) à tout moment en cas de questions, si vous voulez vous prévaloir de la garantie ou si vous souhaitez obtenir une version sur papier de la garantie.

GARANTIE LIMITÉE DE SERVICE APRÈS-VENTE

Les produits EGO sont garantis contre tout défaut de matériel ou de fabrication à partir de la date d'achat au détail originale et pendant la période de garantie applicable.

Pour toute demande de garantie soumise correctement et dans les délais, si Chervon North America détermine qu'un produit est défectueux pendant la période de garantie, le produit sera réparé ou remplacé gratuitement, selon ce qui aura été déterminé par Chervon North America.

COMMENT OBTENIR DE L'ASSISTANCE DANS LE CADRE DU SERVICE APRÈS-VENTE

Pour obtenir de l'assistance dans le cadre de la garantie (pendant la période de garantie applicable), veuillez contacter le service à la clientèle d'EGO en téléphonant au **1-855-EGO-5656** (appel gratuit). Lorsque vous demandez de l'assistance dans le cadre de la garantie, vous devez présenter le reçu de vente original daté. Un centre de service après-vente agréé sera sélectionné pour évaluer et réparer le produit défectueux conformément aux conditions de garantie énoncées. Lorsque vous apportez votre produit au centre de service après-vente agréé, il se peut qu'une petite caution vous soit demandée lors du dépôt de votre outil. Cette caution est remboursable lorsque le service de réparation est considéré comme étant couvert par la garantie.

LIMITATIONS ET EXCLUSIONS SUPPLÉMENTAIRES

Cette garantie limitée ne s'applique qu'à l'acheteur initial d'un produit à un revendeur agréé EGO, et elle ne peut pas être cédée. Les produits EGO ne sont pas considérés comme défectueux et la présente garantie ne s'applique pas lorsque le défaut invoqué est imputable à une cause autre que les défauts définis ci-dessus. Cette garantie est nulle et non avenue si le produit a été utilisé à des fins de location. La présente garantie ne s'applique pas aux dommages causés par un accident, un abus, une mauvaise utilisation, une altération, une modification, une réparation non autorisée, un contact avec un liquide, un incendie, un tremblement de terre ou toute autre cause externe ; par une utilisation du produit en dehors des instructions, spécifications ou directives d'EGO ; ou par un manquement à l'entretien ou à la maintenance convenable du produit. Cette garantie ne s'applique pas non plus aux dommages esthétiques, y compris, mais sans s'y limiter, les rayures ou les bosses, ainsi qu'aux défauts causés par l'usure normale ou autrement dus au vieillissement normal du produit.

CETTE GARANTIE EXPRESSE EST DONNÉE EN LIEU ET PLACE DE TOUTE AUTRE GARANTIE, EXPRESSE OU IMPLICITE, Y COMPRIS, MAIS SANS S'Y LIMITER, TOUTE GARANTIE DE QUALITÉ MARCHANDE OU D'ADÉQUATION À UN USAGE PARTICULIER, QUI EST REJETÉE. Toute garantie implicite, y compris la garantie de qualité marchande ou d'adéquation à un usage particulier qui ne peut être rejetée en vertu de la loi de l'État ou de la province est limitée à la période de garantie applicable définie au début de cet article. Le seul et unique recours en rapport avec l'achat, l'installation, l'utilisation et/ou la performance des produits EGO est la réparation ou le remplacement du produit selon la décision de Chervon North America. La responsabilité maximale de Chervon North America ne dépassera en aucun cas le prix d'achat payé pour le produit. CHERVON NORTH AMERICA NE SERA PAS RESPONSABLE ENVERS L'UTILISATEUR OU TOUTE AUTRE PERSONNE DES DOMMAGES CONSÉCUTIFS, ACCIDENTELS, SPÉCIAUX, EXEMPLAIRES, INDIRECTS OU PUNITIFS RÉSULTANT DE L'UTILISATION DES PRODUITS, Y COMPRIS, MAIS SANS S'Y LIMITER, LES PRÉJUDICES CORPORELS, LA MORT, LES DOMMAGES MATÉRIELS, LA PERTE DE BÉNÉFICES OU TOUT AUTRE DOMMAGE ÉCONOMIQUE. Cette garantie vous confère des garanties juridiques particulières, et vous pouvez aussi avoir d'autres droits, qui varient selon l'État ou la province. Étant donné que certains États et certaines provinces ne permettent pas de limitations quant à la durée d'une garantie implicite ou ne permettent pas l'exclusion ou la limitation des dommages indirects ou secondaires, ou le délai de prescription pour intenter certaines actions, il est possible que les limitations contenues aux présentes ne s'appliquent pas à consommateurs dans ces États ou provinces.

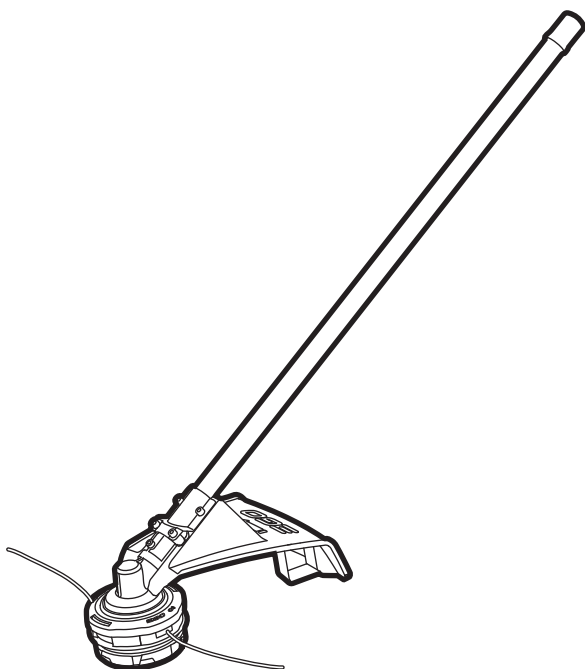


Cette garantie est soumise au droit du Michigan et doit être interprétée conformément au droit du Michigan sans tenir compte des principes de conflits de lois. Aucune action en justice ne pourra être intentée contre Chervon North America si elle n'est pas déposée dans un délai d'un (1) an après que le fondement de cette action en justice aura été connu, ou qu'il aurait dû l'être si une diligence raisonnable avait été exercée. Toute action non intentée dans les délais est réputée abandonnée.

Pour le service à la clientèle, contactez-nous en téléphonant au numéro suivant (appel gratuit) : **1-855-EGO-5656** ou **EGOPOWERPLUS.COM**.

EGO Customer Service,
769 Seward Ave. NW, Suite 102,
Grand Rapids, Michigan 49504.

EGO™



EXCLUSIVAMENTE PARA USO CON EL
CABEZAL MOTOR POWER+ PH1400/
PH1400-FC/PH1420/PH1420-FC

MANUAL DEL USUARIO

ACCESORIO PARA ORILLADORA DE HILO

NÚMERO DE MODELO STA1600/STA1600-FC

⚠ ADVERTENCIA: para reducir el riesgo de lesiones, el usuario debe leer y comprender el Manual del usuario antes de usar este producto. Guarde estas instrucciones para consultarlas en el futuro.

¡LEA TODAS LAS INSTRUCCIONES!



LEA Y COMPRENDA
EL MANUAL DEL OPERADOR

ÍNDICE

Símbolos de seguridad	79
Símbolos	80-81
Instrucciones generales de seguridad.....	82-89
Introducción.....	89
Especificaciones	90
Lista de empaque	90
Descripción	91-92
Ensamblaje	93-95
Operación	97-104
Mantenimiento.....	105-108
Solución de problemas	110-113
Garantía limitada de EGO.....	115-116

SÍMBOLOS DE SEGURIDAD

El propósito de los símbolos de seguridad es alertarlo sobre posibles peligros. Los símbolos de seguridad y sus explicaciones merecen una atención y comprensión minuciosas. Las advertencias de los símbolos, por sí mismas, no eliminan los peligros. Las instrucciones y las advertencias no sustituyen las medidas de prevención de accidentes que correspondan.

⚠ ADVERTENCIA: Antes de utilizar esta herramienta, asegúrese de leer y comprender todas las instrucciones de seguridad en este Manual del propietario, incluidos todos los símbolos de alerta de seguridad como “**PELIGRO**”, “**ADVERTENCIA**” y “**PRECAUCIÓN**”. No seguir todas las instrucciones que se indican a continuación podría resultar en descargas eléctricas, incendios y/o lesiones personales graves.

Las definiciones que aparecen a continuación describen el nivel de gravedad de cada palabra de aviso. Por favor, lea el manual y preste atención a estos símbolos.

	<p>Este es el símbolo de alerta de seguridad. Se utiliza para alertarle a usted de posibles peligros de lesiones corporales. Obedezca todos los mensajes de seguridad que sigan a este símbolo para evitar posibles lesiones o la muerte.</p>
	<p>PELIGRO indica una situación peligrosa que, si no se evita, causará la muerte o lesiones graves.</p>
	<p>ADVERTENCIA indica una situación peligrosa que, si no se evita, podría causar la muerte o lesiones graves.</p>
	<p>PRECAUCIÓN, utilizada con el símbolo de alerta de seguridad, indica una situación peligrosa que, si no se evita, podría causar lesiones leves o moderadas.</p>

MENSAJES DE PREVENCIÓN DE DAÑOS E INFORMACIÓN

Estos mensajes ofrecen al usuario información y/o instrucciones importantes que, de no seguirse, podrían causar daños al equipo u otros daños materiales. Antes de cada mensaje, aparece la palabra “**AVISO**”, como en el ejemplo a continuación:

AVISO: Si no se siguen estas instrucciones se pueden producir daños al equipo y/o daños materiales.

SÍMBOLOS

Esta página muestra y describe los símbolos de seguridad que pueden aparecer en este producto. Lea, comprenda y siga todas las instrucciones de la máquina antes de ensamblarla y utilizarla.

	<p>Alerta de seguridad</p>	<p>Indica un peligro potencial de producir lesiones.</p>
	<p>Lea y comprenda el Manual del usuario</p>	<p>Para reducir el riesgo de lesiones, el usuario debe leer y comprender el Manual del usuario antes de usar este producto.</p>
	<p>Use lentes de protección</p>	<p>Use siempre gafas de seguridad o anteojos con protección lateral y un protector facial al operar este producto.</p>
	<p>Símbolo de reciclaje</p>	<p>Este producto usa baterías de iones de litio. Es posible que las leyes municipales, provinciales o nacionales prohíban desechar las baterías con los residuos comunes. Consulte a la autoridad local en materia de residuos sobre las opciones de eliminación y reciclaje disponibles.</p>
	<p>Tenga cuidado con los objetos lanzados al aire</p>	<p>Alerta al usuario para que tenga cuidado con los objetos lanzados al aire</p>
	<p>Desconecte la batería antes de realizar mantenimiento</p>	<p>Alerta al usuario para que desconecte la batería antes de realizar mantenimiento.</p>
	<p>Use protección de oídos</p>	<p>Alerta al usuario para que use protección de oídos</p>
	<p>Use protección de la cabeza</p>	<p>Alerta al usuario para que use protección de la cabeza</p>

	<p>La distancia entre la máquina y los curiosos deberá ser de al menos 50 pies (15 m)</p>	<p>Alerta al usuario para que mantenga la distancia entre la máquina y los curiosos para que sea de al menos 50 pies (15 m)</p>
	<p>No utilice hojas metálicas</p>	<p>Alerta al usuario para que no utilice hojas metálicas</p>
<p>IPX4</p>	<p>Grado de protección de admisión</p>	<p>Protección contra salpicaduras de agua</p>
<p>V</p>	<p>Voltio</p>	<p>Voltaje</p>
<p>mm</p>	<p>Milímetro</p>	<p>Longitud o tamaño</p>
<p>cm</p>	<p>Centímetro</p>	<p>Longitud o tamaño</p>
<p>in.</p>	<p>Pulgada</p>	<p>Longitud o tamaño</p>
<p>kg</p>	<p>Kilogramo</p>	<p>Peso</p>
<p>lb</p>	<p>Libra</p>	<p>Peso</p>
	<p>Corriente continua</p>	<p>Tipo o característica de la corriente</p>

INSTRUCCIONES GENERALES DE SEGURIDAD

⚠ ¡ADVERTENCIA! Lea todas las advertencias de seguridad, instrucciones, ilustraciones y especificaciones suministradas con esta herramienta eléctrica. Si no se siguen todas las instrucciones que se indican a continuación, es posible que el resultado sea descargas eléctricas, incendio y/o lesiones graves.

GUARDE TODAS LAS ADVERTENCIAS E INSTRUCCIONES PARA REFERENCIA FUTURA

La expresión “herramienta eléctrica” que se incluye en las advertencias se refiere a su herramienta eléctrica alimentada por la red eléctrica (alámbrica) o su herramienta eléctrica alimentada por baterías (inalámbrica).

Seguridad en el área de trabajo

- **Mantenga el área de trabajo limpia y bien iluminada.** Las áreas de trabajo desordenadas u oscuras invitan a que se produzcan accidentes.
- **No utilice herramientas eléctricas en atmósferas explosivas, tales como las existentes en presencia de líquidos, gases o polvos inflamables.** Las herramientas eléctricas generan chispas, las cuales pueden incendiar el polvo o los vapores.
- **Mantenga alejados a los niños y a los curiosos mientras esté utilizando una herramienta eléctrica.** Las distracciones pueden hacer que usted pierda el control.

Seguridad eléctrica

- **Los enchufes de las herramientas eléctricas deben coincidir con el tomacorriente. No modifique nunca el enchufe de ninguna manera. No utilice enchufes adaptadores con herramientas eléctricas conectadas a tierra (puestas a masa).** Los enchufes no modificados y los tomacorrientes coincidentes reducirán el riesgo de descargas eléctricas.
- **Evite el contacto del cuerpo con las superficies conectadas a tierra o puestas a masa, tales como tuberías, radiadores, estufas de cocina y refrigeradores.** Hay un mayor riesgo de descargas eléctricas si el cuerpo del operador está conectado a tierra o puesto a masa.

- **No utilice la máquina en la lluvia ni en condiciones mojadas.** Es posible que la entrada de agua en la máquina aumente el riesgo de descargas eléctricas o malfuncionamiento que podrían causar lesiones corporales.
- **No maltrate del cable. No use nunca el cable para transportar, jalar o desenchufar la herramienta eléctrica. Mantenga el cable alejado del calor, el aceite, los bordes afilados o las piezas móviles.** Los cables dañados o enredados aumentan el riesgo de descargas eléctricas.
- **Cuando utilice una herramienta eléctrica a la intemperie, use un cable de extensión adecuado para uso a la intemperie.** La utilización de un cable adecuado para uso a la intemperie reduce el riesgo de descargas eléctricas.
- **Si es inevitable utilizar una herramienta eléctrica en un lugar húmedo, utilice una fuente de alimentación protegida por un interruptor de circuito accionado por corriente de pérdida a tierra (GFCI, por sus siglas en inglés).** El uso de un GFCI reduce el riesgo de descargas eléctricas.

Seguridad personal

- **Manténgase alerta, fíjese en lo que está haciendo y use el sentido común cuando utilice una herramienta eléctrica. No utilice una herramienta eléctrica mientras esté cansado o bajo la influencia de drogas, alcohol o medicamentos.** Es posible que un momento de desatención mientras se estén utilizando herramientas eléctricas cause lesiones corporales graves.
- **Utilice equipo de protección personal. Use siempre protección ocular.** Los equipos de protección, tales como una máscara antipolvo, zapatos de seguridad antideslizantes, casco o protección de la audición, utilizados según lo requieran las condiciones, reducirán las lesiones corporales.
- **Prevenga los arranques accidentales. Asegúrese de que el interruptor esté en la posición de apagado antes de conectar la herramienta a una fuente de alimentación y/o a un paquete de batería, levantar la herramienta o transportarla.** Si se transportan herramientas eléctricas con el dedo en el interruptor o si se suministra corriente a herramientas eléctricas que tengan el interruptor en la posición de encendido se invita a que se produzcan accidentes.
- **Retire todas las llaves de ajuste o de tuerca antes de encender la herramienta eléctrica.** Es posible que una llave de tuerca o de ajuste que se deje sujeta a una pieza rotativa de la herramienta eléctrica cause lesiones corporales.

- **No intente alcanzar demasiado lejos. Mantenga un apoyo de los pies y un equilibrio adecuados en todo momento.** Esto permite un mejor control de la herramienta eléctrica en situaciones inesperadas.
- **Vístase adecuadamente. No se ponga ropa holgada ni joyas. Mantenga el pelo y la ropa alejados de las piezas móviles.** La ropa holgada, las joyas o el pelo largo pueden quedar atrapados en las piezas móviles.
- **Si se proporcionan dispositivos para la conexión de instalaciones de extracción y recolección de polvo, asegúrese de que dichas instalaciones estén conectadas y se utilicen correctamente.** El uso de recolección de polvo puede reducir los peligros relacionados con el polvo.
- **No deje que la familiaridad obtenida con el uso frecuente de las herramientas le permita volverse complaciente e ignorar los principios de seguridad de las herramientas.** Una acción descuidada puede causar lesiones graves en una fracción de segundo.

Uso y cuidado de las herramientas eléctricas

- **No fuerce la herramienta eléctrica. Utilice la herramienta eléctrica correcta para la aplicación que vaya a realizar.** La herramienta eléctrica correcta hará el trabajo mejor y de manera más segura a la capacidad nominal para la que fue diseñada.
- **No utilice la herramienta eléctrica si el interruptor no la enciende y apaga.** Cualquier herramienta eléctrica que no se pueda controlar con el interruptor es peligrosa y debe ser reparada.
- **Desconecte el enchufe de la fuente de alimentación y/o retire el paquete de batería de la herramienta eléctrica, si es retirable, antes de hacer cualquier ajuste, cambiar accesorios o almacenar herramientas eléctricas.** Dichas medidas preventivas de seguridad reducen el riesgo de arrancar accidentalmente la herramienta eléctrica.
- **Guarde las herramientas eléctricas inactivas fuera del alcance de los niños y no deje que las personas que no estén familiarizadas con la herramienta eléctrica o estas instrucciones utilicen la herramienta eléctrica.** Las herramientas eléctricas son peligrosas en las manos de los usuarios que no hayan recibido capacitación.

- **Realice mantenimiento de las herramientas eléctricas y los accesorios. Compruebe si hay desalineación o atoramiento de las piezas móviles, rotura de piezas y cualquier otra situación que pueda afectar al funcionamiento de la herramienta eléctrica. Si la herramienta eléctrica está dañada, haga que la reparen antes de utilizarla.** Muchos accidentes son causados por herramientas eléctricas que reciben un mantenimiento deficiente.
- **Mantenga las herramientas de corte afiladas y limpias.** Las herramientas de corte mantenidas adecuadamente, con bordes de corte afilados, tienen menos probabilidades de atorarse y son más fáciles de controlar.
- **Utilice la herramienta eléctrica, los accesorios, las brocas de la herramienta, etc., de acuerdo con estas instrucciones, teniendo en cuenta las condiciones de trabajo y el trabajo que se vaya a realizar.** El uso de la herramienta eléctrica para operaciones distintas a las previstas podría causar una situación peligrosa.
- **Mantenga los mangos y las superficies de agarre secos, limpios y libres de aceite y grasa.** Es posible que los mangos resbalosos y las superficies de agarre resbalosas no permitan un manejo y un control seguros de la herramienta en situaciones inesperadas.

Uso y cuidado de las herramientas a batería

- **Recargue las baterías solo con el cargador especificado por el fabricante.** Es posible que un cargador que sea adecuado para un tipo de paquete de batería cree un riesgo de incendio cuando se utilice con otro paquete de batería.
- **Utilice las herramientas eléctricas solo con paquetes de batería designados específicamente.** Es posible que el uso de cualquier otro paquete de batería cree un riesgo de lesiones e incendio.
- **Cuando el paquete de batería no se esté utilizando, manténgalo alejado de otros objetos metálicos, tales como clips sujetapapeles, monedas, llaves, clavos, tornillos u otros objetos metálicos pequeños, que puedan hacer una conexión de un terminal al otro.** Si se cortocircuitan juntos los terminales de la batería, es posible que se causen quemaduras o un incendio.
- **En condiciones abusivas es posible que se expulse líquido de la batería; evite el contacto. Si se produce contacto accidentalmente, enjuáguese con agua. Si el líquido entra en contacto con los ojos, obtenga además ayuda médica.** Es posible que el líquido expulsado de la batería cause irritación o quemaduras.

- **No utilice un paquete de batería o una herramienta que estén dañados o modificados.** Es posible que las baterías dañadas o modificadas exhiban un comportamiento imprevisible que cause incendio, explosión o riesgo de lesiones.
- **No exponga un paquete de batería o una herramienta a un fuego o a una temperatura excesiva.** Es posible que la exposición a un fuego o a una temperatura superior a 265 °F (130 °C) cause una explosión.
- **Siga todas las instrucciones de carga y no cargue el paquete de batería ni la herramienta fuera del intervalo de temperatura especificado en las instrucciones.** Es posible que la realización de la carga de manera inadecuada o a temperaturas que estén fuera del intervalo especificado dañe la batería y aumente el riesgo de incendio.

Servicio de ajustes y reparaciones

- **Haga que su herramienta eléctrica reciba servicio de ajustes y reparaciones por un técnico de reparaciones calificado que utilice únicamente piezas de repuesto idénticas.** Esto garantizará que se mantenga la seguridad de la herramienta eléctrica.
- **No haga nunca servicio de ajustes y reparaciones de paquetes de batería dañados.** El servicio de ajustes y reparaciones de los paquetes de batería deberá ser realizado solo por el fabricante o por proveedores de servicio autorizados.

Advertencias de seguridad para la orilladora de hilo

- **No utilice la máquina en malas condiciones climáticas, especialmente cuando haya riesgo de rayos.** Esto reduce el riesgo de ser alcanzado por rayos.
- **Inspeccione minuciosamente el área para comprobar si hay animales salvajes en el lugar donde se vaya a utilizar la máquina.** Es posible que los animales salvajes sean lesionados por la máquina durante su utilización.
- **Inspeccione minuciosamente el área donde se va a utilizar la máquina y retire todas las piedras, palos, alambres, huesos y otros objetos extraños.** Los objetos lanzados al aire pueden causar lesiones corporales.
- **Antes de utilizar la máquina, inspeccione siempre visualmente el cortador o la hoja y el ensamblaje del cortador o de la hoja para asegurarse de que no estén dañados.** Las piezas dañadas aumentan el riesgo de lesiones.
- **Siga las instrucciones para cambiar accesorios.** Si las tuercas o los pernos que sujetan la hoja están apretados incorrectamente, es posible que dañen la hoja o hagan que esta se desprenda.

- **Use protección ocular, de oídos, de la cabeza y de las manos.** El equipo de protección adecuado reducirá las lesiones corporales por causa de residuos lanzados al aire o contacto accidental con el hilo de corte o la hoja.
- **Mientras esté utilizando la máquina, use siempre calzado antideslizante y protector. No utilice la máquina cuando esté descalzo o usando sandalias abiertas.** Esto reduce la posibilidad de lesiones en los pies por causa del contacto con los cortadores o los hilos en movimiento.
- **Mientras esté utilizando la máquina, use siempre pantalones largos.** La piel al descubierto aumenta la posibilidad de lesiones por causa de objetos lanzados al aire.
- **Mantenga alejados a los curiosos mientras esté utilizando la máquina.** Los residuos lanzados al aire pueden causar lesiones corporales graves.
- **Use siempre las dos manos cuando utilice la máquina.** Al agarrar la máquina con ambas manos se evitará la pérdida de control.
- **Agarre la máquina solo por las superficies de agarre con aislamiento, porque es posible que el hilo de corte o la hoja entre en contacto con cables ocultos.** Si el hilo de corte o las hojas entran en contacto con un cable que tenga corriente, es posible que hagan que las partes metálicas de la máquina que estén al descubierto tengan corriente, lo cual podría causar una descarga eléctrica al operador.
- **Mantenga siempre un apoyo adecuado de los pies y utilice la máquina solo cuando esté de pie en el piso.** Es posible que las superficies resbalosas o inestables causen una pérdida de equilibrio o de control de la máquina.
- **No utilice la máquina en pendientes excesivamente inclinadas.** Esto reduce el riesgo de pérdida de control, resbalamiento y caída, lo cual puede tener como resultado lesiones corporales.
- **Cuando trabaje en pendientes, esté siempre seguro del apoyo de los pies, trabaje siempre transversalmente a la cara de las pendientes, nunca hacia arriba o hacia abajo, y tenga precaución extrema cuando cambie de dirección.** Esto reduce el riesgo de pérdida de control, resbalamiento y caída, lo cual puede tener como resultado lesiones corporales.
- **Mantenga todas las partes del cuerpo alejadas del cortador, el hilo o la hoja cuando la máquina esté en funcionamiento. Antes de arrancar la máquina, asegúrese de que el cortador, el hilo o la hoja no esté en contacto con nada.** Es posible que un momento de desatención mientras se esté utilizando la máquina tenga como resultado lesiones a usted mismo o a otras personas.

- **No utilice la máquina por encima de la altura de la cintura.** Esto ayuda a prevenir un contacto accidental con el cortador o la hoja y permite un mejor control de la máquina en situaciones inesperadas.
- **Cuando corte arbustos o retoños que estén bajo tensión, esté alerta al efecto de resorte.** Al liberarse la tensión de las fibras de madera, es posible que el arbusto o el retoño golpee al operador y/o lance la máquina fuera de control.
- **Tenga precaución extrema cuando corte arbustos y retoños.** Es posible que el material delgado se enganche en la hoja y sea lanzado hacia usted o que lo jale y lo desequilibre.
- **Mantenga el control de la máquina y no toque los cortadores, los hilos o las hojas y otras piezas móviles peligrosas mientras aún estén en movimiento.** Esto reduce el riesgo de lesiones por causa de las piezas móviles.
- **Transporte la máquina con el interruptor de la misma en la posición de apagado y alejada de su cuerpo.** Un manejo adecuado de la máquina reducirá la posibilidad de contacto accidental con un cortador, un hilo o una hoja en movimiento.
- **Utilice solo los cortadores, hilos, cabezas de corte y hojas especificados por el fabricante.** Es posible que las piezas de repuesto incorrectas aumenten el riesgo de rotura y lesiones.
- **Cuando despeje material atorado o haga servicio de ajustes y reparaciones de la máquina, asegúrese de que el interruptor esté en la posición de apagado y que el paquete de batería se haya retirado.** Es posible que un arranque accidental de la máquina mientras se esté despejando material atorado o haciendo servicio de ajustes y reparaciones tenga como resultado lesiones corporales graves.
- **Daños a la orilladora:** Si golpea un objeto extraño con la orilladora o si esta se engancha, pare de inmediato la herramienta, compruebe si tiene daños y haga que todos los daños sean reparados antes de intentar cualquier utilización adicional. No utilice la orilladora con un protector roto o una bobina rota.
- **Si el equipo comienza a vibrar anormalmente, pare el motor y realice una comprobación inmediata para determinar la causa.** Generalmente, la vibración es una advertencia de problemas. Es posible que un cabezal flojo vibre, se agriete, se rompa o se desprenda de la orilladora, lo cual puede causar lesiones graves o mortales. Asegúrese de que el aditamento de corte esté fijo adecuadamente en la posición correcta. Si el cabezal se afloja después de fijarlo en la posición correcta, reemplácelo de inmediato. No utilice nunca una orilladora con un aditamento de corte flojo.

- Utilice el producto solo con el cabezal motriz de ion litio de 56 V PH1400/PH1400-FC/PH1420/PH1420-FC.

NOTA: CONSULTE EL MANUAL DEL OPERADOR DE SU CABEZAL MOTRIZ PARA OBTENER NORMAS DE SEGURIDAD ESPECÍFICAS ADICIONALES.

¡GUARDE ESTAS INSTRUCCIONES!

INTRODUCCIÓN

Felicitaciones por elegir un ACCESORIO PARA ORILLADORA DE HILO. Está pensado, diseñado y fabricado para brindarle el mejor rendimiento y confiabilidad posibles.

En caso de que tuviera algún problema que no pudiera resolver fácilmente, póngase en contacto con el Centro de Servicio al Cliente de EGO llamando al 1-855-EGO-5656.

Este manual contiene información importante para el ensamble, la operación y el mantenimiento seguro de su orilladora de hilo. Léalo atentamente antes de usar la orilladora de hilo. Mantenga este manual a mano para poder consultarlo en cualquier momento.

NÚMERO DE SERIE _____ FECHA DE COMPRA _____

DEBE ANOTAR EL NÚMERO DE SERIE Y LA FECHA DE COMPRA Y CONSERVARLOS EN UN LUGAR SEGURO PARA CONSULTARLOS EN EL FUTURO.

ESPECIFICACIONES

Velocidad máxima	5800 /min (RPM)
Mecanismo de corte	Cabezal de golpe
Tipo de hilo de corte	Hilo de nailon enrollado de 2,4 mm (0,095 pulg.)
Ancho de corte	40 cm (16 pulg.)
Temperatura de funcionamiento recomendada	0°C-40°C(32°F-104°F)
Temperatura de almacenamiento recomendada	-20°C-70°C(-4°F-158°F)
Peso	3,36 lb (1,53 kg)

Hilo de corte recomendado

NOMBRE DE LA PIEZA	TIPO	NÚMERO DE MODELO
Hilo de corte	Hilo enrollado de 2,4 mm (0,095 pulg.) (recomendado)	AL2420P AL2420PD AL2450S

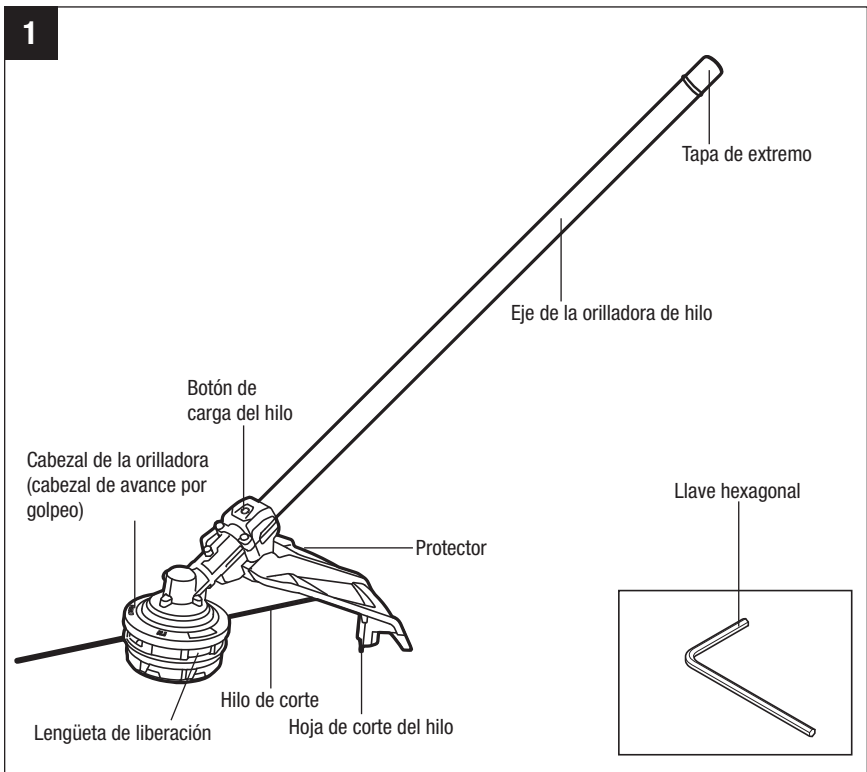
LISTA DE EMPAQUE

NOMBRE DE LA PIEZA	CANTIDAD
Aditamento de orilladora de hilo	1
Protector	1
Llave hexagonal de 4 mm	1
Manual del operador	1

DESCRIPCIÓN

CONOZCA SU ADITAMENTO DE ORILLADORA DE HILO (Fig. 1)

El uso seguro de este producto requiere entender la información que está en la herramienta y en este manual del operador, así como tener conocimiento del proyecto que se esté intentando realizar. Antes de utilizar este producto, familiarícese con todas las características de funcionamiento y todas las normas de seguridad.



⚠ ADVERTENCIA: No utilice nunca la herramienta sin tener el protector firmemente instalado en la posición correcta. El protector debe estar siempre en la herramienta para proteger al usuario.

CABEZAL DE LA ORILLADORA (CABEZAL DE AVANCE POR GOLPEO)

Almacena el hilo de corte y libera dicho hilo cuando el cabezal es golpeado ligeramente contra terreno firme durante la utilización.

PROTECTOR

Reduce el riesgo de lesiones causadas por objetos extraños que sean lanzados al aire hacia atrás, hacia el operador, y por el contacto con el aditamento de corte.

HOJA DE CORTE DEL HILO

Hoja de acero ubicada en el protector que mantiene el hilo de corte a la longitud adecuada.

LENGÜETA DE LIBERACIÓN

Libera el retenedor de la bobina para separarlo de la base de la bobina.

BOTÓN DE CARGA DEL HILO

Presione esté botón para enrollar automáticamente el hilo en el cabezal de la orilladora.

ENSAMBLAJE

⚠ ADVERTENCIA: Si cualquiera de las piezas está dañada o falta, no utilice este producto hasta que las piezas hayan sido reemplazadas. La utilización de este producto con piezas dañadas o si le faltan piezas podría causar lesiones corporales graves.

⚠ ADVERTENCIA: No intente modificar este producto ni crear accesorios no recomendados para utilizarse con esta orilladora de hilo. Cualquiera de dichas alteraciones o modificaciones constituye un uso incorrecto y podría provocar una situación peligrosa que cause posibles lesiones corporales graves.

⚠ ADVERTENCIA: No conecte la unidad al cabezal motriz hasta que se haya completado el ensamblaje. Si no se cumple con esta advertencia, el resultado podría ser arranques accidentales y posibles lesiones corporales graves.

DESEMPAQUETADO

- Este producto requiere ensamblaje.
- Saque cuidadosamente el producto y todos los accesorios de la caja. Asegúrese de que todos los artículos indicados en la lista de empaquetamiento estén incluidos.

⚠ ADVERTENCIA: No utilice este producto si cualquiera de las piezas de la lista de empaquetamiento ya está ensamblada en el producto cuando lo desempaque. Las piezas incluidas en esta lista no son ensambladas en el producto por el fabricante y requieren instalación por el cliente. La utilización de un producto que pueda haber sido ensamblado incorrectamente podría causar lesiones corporales graves.

- Inspeccione minuciosamente la herramienta para asegurarse de que no se hayan producido roturas o daños durante el envío.
- No deseche el material de empaquetamiento hasta que haya inspeccionado minuciosamente y utilizado satisfactoriamente la herramienta.
- Si alguna pieza está dañada o falta, sírvase devolver el producto al lugar de compra.

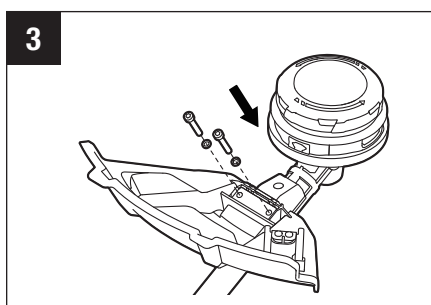
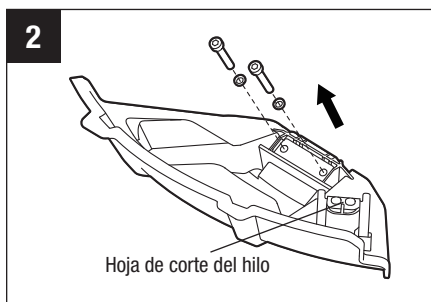
MONTAJE DEL PROTECTOR

AVISO: Instale el protector antes de conectar el aditamento al cabezal motriz.

⚠ ADVERTENCIA: Para reducir el riesgo de lesiones a las personas, no utilice la unidad sin el protector en la posición correcta.

⚠ ADVERTENCIA: Use siempre guantes cuando monte o reemplace el protector. Tenga cuidado con la hoja de corte del hilo ubicada en el protector y protéjase las manos para que no sean lesionadas por la hoja.

1. Afloje los dos pernos ubicados en el protector con la llave hexagonal suministrada; retire los pernos y las arandelas elásticas del protector (Fig. 2).



2. Levante el cabezal de la orilladora y oriéntelo hacia arriba; alinee los dos agujeros de montaje ubicados en el protector con los dos agujeros de ensamblaje ubicados en la base del eje. Asegúrese de que la superficie interna del protector esté orientada hacia el cabezal de la orilladora (Fig. 3).
3. Utilice la llave hexagonal suministrada para fijar el protector en la posición correcta con los pernos y las arandelas.

CONEXIÓN DEL ADITAMENTO DE ORILLADORA DE HILO AL CABEZAL MOTRIZ

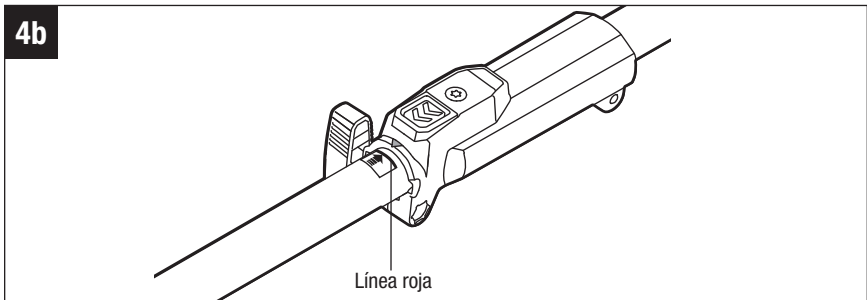
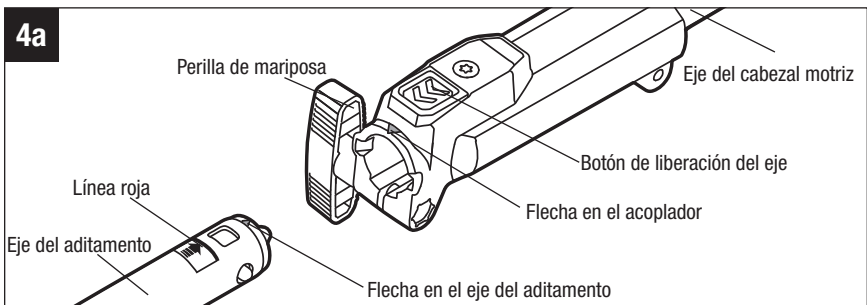
⚠ ADVERTENCIA: No instale ni ajuste nunca un aditamento mientras el cabezal motriz esté en funcionamiento o con la batería instalada. Si no se detiene el motor y se retira la batería es posible que se causen lesiones corporales graves.

Este aditamento de orilladora de hilo está diseñado para utilizarse con el cabezal motriz EGO PH1400/PH1400-FC/ PH1420/PH1420-FC.

El aditamento de orilladora de hilo se conecta al cabezal motriz por medio de un dispositivo de acoplador.

1. Pare el motor y retire el paquete de batería.
2. Afloje la perilla de mariposa ubicada en el acoplador del cabezal motriz.
3. Si la tapa de extremo está en el eje del aditamento de la orilladora de hilo, retírela y guárdela en un lugar seguro para utilizarse más tarde. Alinee la flecha ubicada en el eje de la orilladora de hilo con la flecha ubicada en el acoplador (Fig. 4a) y empuje el eje de la orilladora de hilo hacia el interior del acoplador hasta que oiga un sonido de “CLIC” nítido. El acoplador se deberá posicionar de manera que llegue completamente hasta la LÍNEA ROJA etiquetada en el eje de la orilladora de hilo: la línea roja debe estar al ras con el borde del acoplador (Fig. 4b).
4. Jale el eje del aditamento de la orilladora de hilo para verificar que esté firmemente bloqueado en el interior del acoplador. Si no lo está, rote el eje de la orilladora de hilo de un lado a otro en el acoplador hasta que un sonido de “CLIC” nítido indique que se ha acoplado.
5. Apriete firmemente la perilla de mariposa.

⚠ ADVERTENCIA: Asegúrese de que la perilla de mariposa esté completamente apretada antes de utilizar el equipo; compruebe periódicamente su apriete durante el uso para evitar lesiones corporales graves.



DESINSTALACIÓN DEL ADITAMENTO DEL CABEZAL MOTRIZ

1. Pare el motor y retire el paquete de batería.
2. Afloje la perilla de mariposa.
3. Presione el botón de liberación del eje y, con el botón presionado, jale o gire el eje del aditamento para sacarlo del acoplador.

OPERACIÓN

⚠ ADVERTENCIA: No deje que la familiaridad con este producto le haga volverse descuidado. Recuerde que una fracción de segundo de descuido es suficiente para causar lesiones graves.

⚠ ADVERTENCIA: Use siempre anteojos de seguridad o gafas de seguridad con escudos laterales marcados para cumplir con la norma ANSI Z87.1. Si no se hace así, el resultado podría ser que se lancen objetos hacia los ojos del operador y otras posibles lesiones graves.

⚠ ADVERTENCIA: No utilice aditamentos ni accesorios no recomendados por el fabricante de este producto. El uso de aditamentos o accesorios no recomendados puede causar lesiones corporales graves.

APLICACIONES

Usted puede utilizar este producto para los fines que se indican a continuación:

- Orillar pasto y maleza de alrededor de porches, cercas y terrazas.

CÓMO AGARRAR LA ORILLADORA DE HILO CON EL CABEZAL MOTRIZ (Fig. 5)

⚠ ADVERTENCIA: Vístase adecuadamente para reducir el riesgo de lesiones cuando utilice esta herramienta. No se ponga ropa holgada ni joyas. Use protección ocular y de los oídos/la audición. Use pantalones largos gruesos, botas y guantes. No use pantalones cortos ni sandalias, ni vaya descalzo.

5



Agarre la orilladora de hilo con una mano en la empuñadura trasera y la otra mano en la empuñadura delantera. Mantenga un agarre firme con las dos manos mientras utiliza la herramienta. La orilladora de hilo se deberá agarrar en una posición cómoda, con la empuñadura trasera aproximadamente a la altura de la cadera. El cabezal de la orilladora deberá estar paralelo al piso para que entre en contacto fácilmente con el material que se va a cortar sin que el operador tenga que doblarse hacia delante.

UTILIZACIÓN DE LA ORILLADORA DE HILO

⚠ ADVERTENCIA: Para evitar lesiones corporales graves, use anteojos o gafas de seguridad en todo momento cuando utilice esta unidad. Use una máscara facial o una máscara antipolvo en ubicaciones en las que haya grandes cantidades de polvo.

Despeje el área que se vaya a cortar antes de cada uso. Retire todos los objetos, tales como rocas, vidrio roto, cables, alambres o hilos, que puedan ser lanzados al aire o engancharse en el aditamento de corte. Despeje el área de niños, curiosos y animales domésticos. Como mínimo, mantenga a todos los niños, curiosos y animales domésticos al menos a 50 pies (15 m) de distancia; es posible que aún haya riesgo para las personas que estén presentes por causa de objetos lanzados al aire. Se deberá instar a las personas que estén presentes a que usen protección ocular. Si alguien se acerca a usted, detenga inmediatamente el motor y el aditamento de corte.

⚠ ADVERTENCIA: Para prevenir lesiones corporales graves, retire el paquete de batería de la herramienta antes de hacer servicio de ajustes y reparaciones, realizar limpieza, cambiar aditamentos o retirar material de la unidad.

Antes de cada uso, compruebe si hay piezas dañadas/desgastadas

Compruebe el cabezal de la orilladora, el protector y la empuñadura delantera, y reemplace toda pieza que esté agrietada, arqueada, doblada o dañada de alguna manera.

La hoja de corte del hilo ubicada en el borde del protector se puede desafilarse con el tiempo. Se recomienda afilarla periódicamente con una lima o reemplazarla por una hoja nueva.

⚠ ADVERTENCIA: Use siempre guantes cuando monte o reemplace el protector, o cuando afile o reemplace la hoja. Fijese en la ubicación de la hoja en el protector y protéjase la mano contra las lesiones.

Limpié la orilladora después de cada uso

Consulte la sección Mantenimiento para obtener instrucciones de limpieza.

⚠ ADVERTENCIA: No utilice nunca agua para limpiar la orilladora. Evite utilizar solventes cuando limpie piezas de plástico. La mayoría de los plásticos son susceptibles de sufrir daños causados por diversos tipos de solventes comerciales. Use un paño limpio para eliminar la suciedad, el polvo, el aceite, la grasa, etc.

Compruebe si hay bloqueos en el cabezal de la orilladora

Para prevenir los bloqueos, mantenga limpio el cabezal de la orilladora. Retire el pasto cortado, las hojas, la suciedad y todos los demás residuos acumulados antes y después de cada uso.

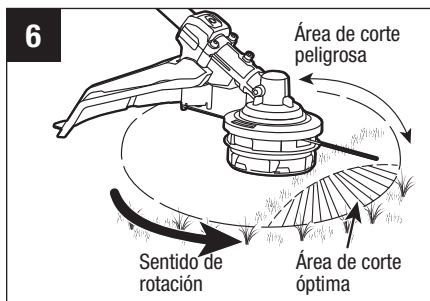
Cuando se produzca un bloqueo, pare la orilladora de hilo y retire la batería, y luego retire todo el pasto que se pueda haber enrollado alrededor del eje del motor o el cabezal de la orilladora.

PARA ARRANCAR/PARAR LA HERRAMIENTA

Consulte la sección "**ARRANQUE/PARADA DEL CABEZAL MOTRIZ**" del manual del operador del cabezal motriz PH1400/PH1400-FC/PH1420/PH1420-FC.

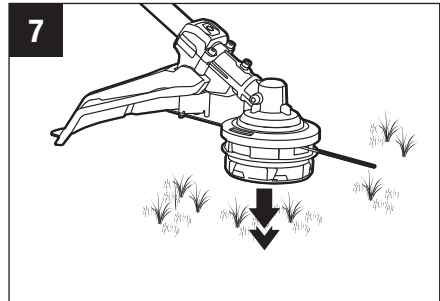
Consejos para obtener los mejores resultados de orillado (Fig. 6)

- El ángulo de corte para el aditamento de corte es paralelo al terreno.
- No fuerce la orilladora. Deje que el extremo de la punta del hilo haga el corte (especialmente a lo largo de las paredes). Si se corta con más parte del hilo que su punta, se reducirá la eficacia de corte y es posible que se sobrecargue el motor.
- La altura de corte se determina por la distancia del hilo de corte a la superficie del césped.
- El pasto de más de 8 pulgadas (20 cm) se deberá cortar trabajando desde la parte de arriba hacia la parte de abajo en pequeños incrementos para evitar un desgaste prematuro del hilo o arrastre del motor.
- Mueva lentamente la orilladora hacia dentro y hacia fuera del área que se esté cortando, manteniendo la posición del cabezal de corte a la altura de corte deseada. Este movimiento puede ser hacia delante y hacia detrás o de un lado a otro. El corte de longitudes más cortas produce los mejores resultados.
- Orille solo cuando el pasto y la maleza estén secos.
- Las cercas de alambre y de estacas puntiagudas pueden causar desgaste adicional o rotura del hilo. Es posible que las paredes de piedra y ladrillo, las orillas de acera y la madera desgasten rápidamente los hilos.
- Evite los árboles y los setos. La corteza de árbol, las molduras de madera, los paneles laterales y los postes de cerca pueden ser dañados fácilmente por los hilos.



AJUSTE DE LA LONGITUD DEL HILO DE CORTE

El cabezal de la orilladora permite al operador liberar más hilo de corte sin detener el motor. A medida que el hilo se deshilacha o se desgasta, se puede liberar hilo adicional golpeando suavemente el cabezal de la orilladora contra el terreno mientras se está utilizando la orilladora (Fig. 7).



⚠ ADVERTENCIA: No retire ni altere el ensamblaje de la hoja de corte del hilo. Una longitud excesiva del hilo hará que el motor se sobrecaliente y es posible que cause lesiones corporales graves.

Para obtener los mejores resultados, golpee suavemente el cabezal de la orilladora contra terreno pelado o tierra dura. Si se intenta liberar el hilo en pasto alto, es posible que el motor se sobrecaliente. Mantenga siempre el hilo orillador completamente extendido. La liberación del hilo se vuelve más difícil a medida que dicho hilo se vuelve más corto.

REEMPLAZO DEL HILO

⚠ ADVERTENCIA: No utilice nunca hilo, alambre o cuerda, etc., que estén reforzados con metal. Estos elementos pueden romperse y convertirse en proyectiles peligrosos.

⚠ ADVERTENCIA: Utilice siempre el hilo de corte de nylon recomendado con un diámetro de no más de 0,095 pulgadas (2,4 mm). Es posible que la utilización de un hilo que no sea el especificado haga que la orilladora de hilo se sobrecaliente o sufra daños.

La orilladora de hilo está equipada con un avanzado sistema **POWERLOAD™**. El hilo de corte se puede enrollar en la bobina simplemente presionando un botón. Generalmente, el proceso de carga de una bobina completa se puede completar en 12 segundos.

Evite la utilización repetida del sistema de enrollado en sucesión rápida, para reducir la posibilidad de daños al motor.

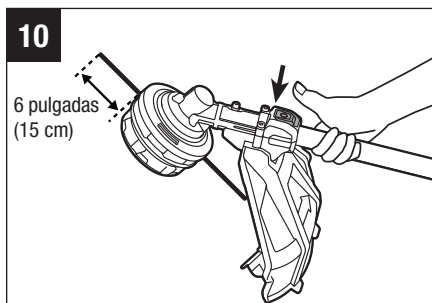
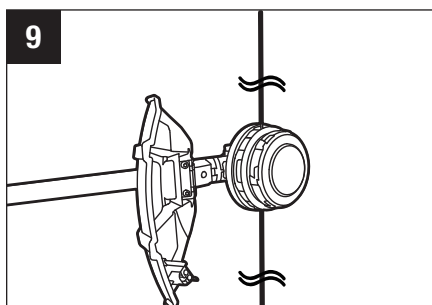
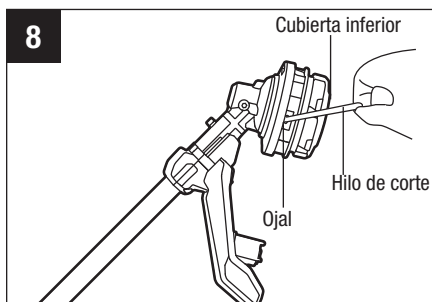
AVISO: El sistema **POWERLOAD™** solo está disponible cuando el aditamento está conectado al cabezal motriz PH1420/PH1420-FC y el paquete de batería esté instalado.

1. Retire el paquete de batería del cabezal motriz.
2. Corte un pedazo de hilo de corte de 13 pies (4 m) de longitud.
3. Inserte el hilo en el ojal (Fig. 8) y empuje el hilo hasta que el extremo del mismo salga por el ojal opuesto.

AVISO: Si el hilo no se puede insertar en el ojal debido a que la cubierta inferior está atorada, instale el paquete de batería en el cabezal motriz y luego presione brevemente el botón de carga del hilo para reajustar la cubierta inferior.

4. Retire el paquete de batería si se ha instalado en el cabezal motriz en el AVISO después del paso 3.
5. Jale el hilo desde el otro lado hasta que longitudes iguales del mismo aparezcan a ambos lados del cabezal de la orilladora (Fig.9).
6. Instale el paquete de batería en el cabezal motriz.
7. Presione y mantenga presionado el botón de carga del hilo para arrancar el motor de enrollado del hilo. El hilo se enrollará continuamente en el cabezal de la orilladora (Fig. 10).

8. Observe minuciosamente la longitud del hilo restante. Prepárese para soltar el botón en cuanto queden aproximadamente 7,5 pulgadas (19 cm) de hilo a cada lado. Presione brevemente el botón de carga del hilo para ajustar la longitud hasta que se vean 6 pulgadas (15 cm) del hilo a cada lado.



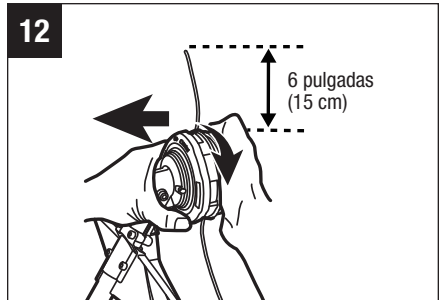
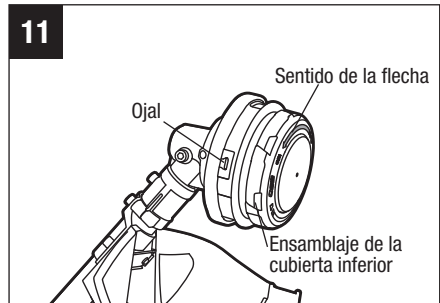
- Empuje hacia abajo el cabezal de la orilladora mientras jala los hilos para hacer avanzar manualmente el hilo con el fin de comprobar si el ensamblaje del hilo de corte es correcto.

AVISO: En el caso de que el hilo sea jalado hacia el interior del cabezal de la orilladora por accidente, abra el cabezal y jale el hilo de corte hacia fuera de la bobina. Siga la sección “**RECARGA DEL HILO DE CORTE**” de este manual para recargar el hilo.

AVISO: Cuando el aditamento esté conectado al cabezal motriz PH1400/ PH1400-FC, el sistema **POWERLOAD™** no estará funcionando. En este caso, el hilo se deberá recargar manualmente. Consulte la sección “**Reemplazo manual del hilo**” de este manual para recargar el hilo.

Reemplazo manual del hilo

- Retire el paquete de batería.
- Corte un pedazo de hilo de corte de 13 pies (4 m) de longitud.
- Inserte el hilo en el ojal (Fig. 11) y empuje el hilo hasta que el extremo del mismo salga por el ojal opuesto.
- Jale el hilo desde el otro lado hasta que longitudes iguales del hilo aparezcan a ambos lados.
- Presione y rote el ensamblaje de la cubierta inferior en el sentido indicado por la flecha para enrollar el hilo de corte en la bobina hasta que se vean aproximadamente 6 pulgadas (15 cm) de hilo a cada lado (Fig. 12).

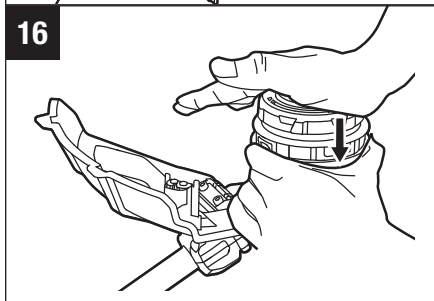
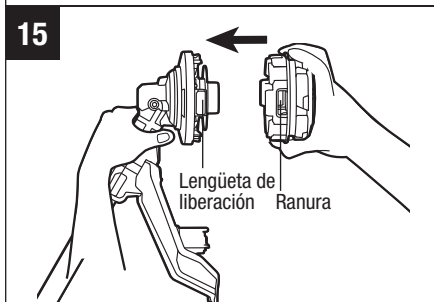
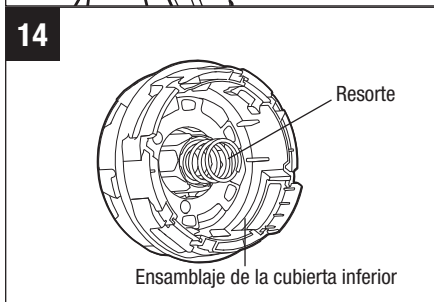
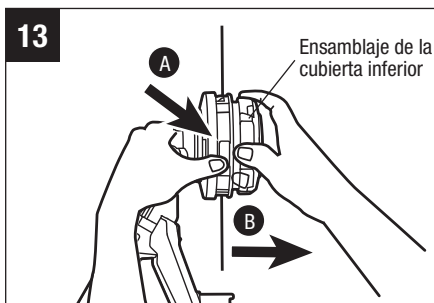


- Empuje hacia abajo el ensamblaje de la cubierta inferior mientras jala ambos extremos del hilo para hacer avanzar manualmente el hilo y para comprobar si el ensamblaje del cabezal de la orilladora es correcto.

RECARGA DEL HILO DE CORTE

AVISO: Cuando el hilo de corte se rompa y se separe del ojal para el hilo, o cuando dicho hilo no sea liberado al golpear suavemente el cabezal de la orilladora, será necesario retirar el hilo de corte restante del cabezal de la orilladora y seguir los pasos que se indican a continuación para recargar el hilo.

1. Retire el paquete de batería del cabezal motriz.
2. Presione las lengüetas de liberación (A) ubicadas en el cabezal de la orilladora y retire el ensamblaje de la cubierta inferior del cabezal de la orilladora jalándolo directamente hacia fuera (Fig. 13).
3. Retire el hilo de corte del cabezal de la orilladora.
4. Inserte el resorte en la ranura ubicada en el ensamblaje de la cubierta inferior si se ha separado del ensamblaje del resorte inferior (Fig. 14).
5. Con una mano agarrando la orilladora, utilice la otra mano para agarrar el ensamblaje de la cubierta inferior y alinee las ranuras ubicadas en el ensamblaje de la cubierta inferior con las lengüetas de liberación. Presione el ensamblaje de la cubierta inferior hasta que se acople a presión en la posición correcta, en cuyo momento usted oírá un sonido de clic inconfundible (Fig. 15, 16).
6. Siga las instrucciones de la sección **"REEMPLAZO DEL HILO"** para recargar el hilo de corte.



MANTENIMIENTO

⚠ ADVERTENCIA: Cuando haga servicio de ajustes y reparaciones, utilice solo piezas de repuesto idénticas. Es posible que el uso de cualquier otra pieza cree un peligro o cause daños al producto. Para garantizar la seguridad y la confiabilidad, todas las reparaciones deberán ser realizadas por un técnico de servicio calificado.

⚠ ADVERTENCIA: Las herramientas a batería no tienen que enchufarse en un tomacorriente; por lo tanto, siempre están en condiciones de funcionamiento. Para prevenir lesiones corporales graves, tome precauciones adicionales y tenga cuidado adicional cuando realice mantenimiento o servicio de ajustes y reparaciones, o para cambiar el aditamento de corte u otros aditamentos.

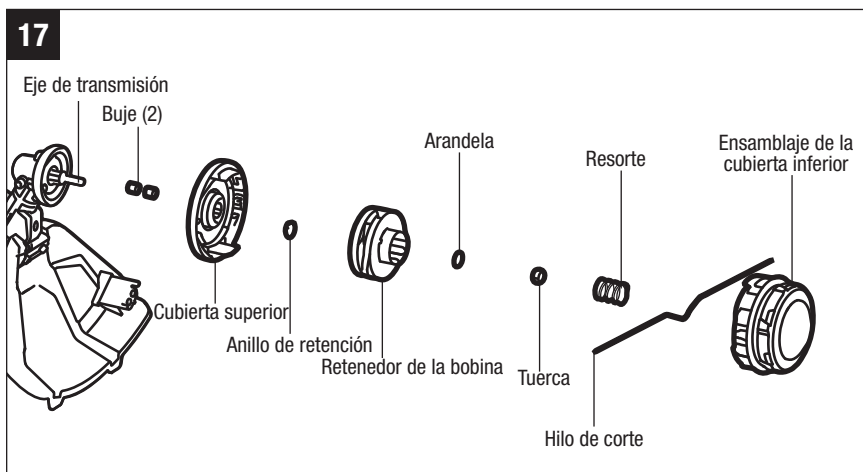
⚠ ADVERTENCIA: Para prevenir lesiones corporales graves, retire el paquete de batería del cabezal motriz antes de hacer servicio de ajustes y reparaciones, realizar limpieza, cambiar aditamentos adicionales o cuando el producto no se esté utilizando.

Todo el servicio de ajustes y reparaciones de la orilladora de hilo, que no sea de los artículos indicados en estas instrucciones de mantenimiento, deberá ser realizado por personal competente de servicio de orilladoras de hilo.

REEMPLAZO DEL CABEZAL DE LA ORILLADORA

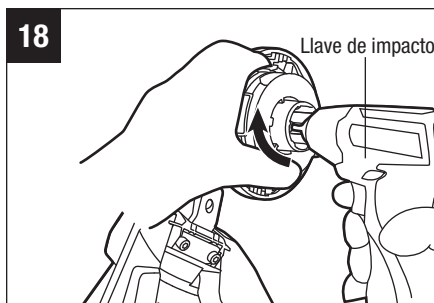
⚠ PELIGRO: Si el cabezal se afloja después de estar fijo en la posición correcta, reemplácelo de inmediato. No utilice nunca una orilladora con un aditamento de corte flojo. Reemplace inmediatamente un cabezal de corte agrietado, dañado o desgastado, incluso si el daño está limitado a grietas superficiales. Es posible que dichos aditamentos se rompan en pedazos a alta velocidad y causen lesiones graves.

Familiarícese con el cabezal de la orilladora (Fig. 17).



Retire el cabezal de la orilladora

1. Retire el paquete de batería del cabezal motriz.
2. Presione las lengüetas de liberación ubicadas en el cabezal de la orilladora y retire el ensamblaje de la cubierta inferior del cabezal de la orilladora jalándolo directamente hacia fuera. (Fig. 13).

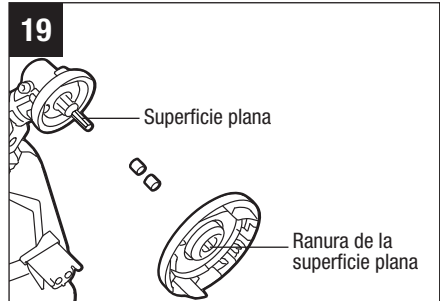


3. Retire el hilo de corte del cabezal de la orilladora.
4. Saque el resorte del ensamblaje de la bobina, si se ha separado del ensamblaje del resorte inferior. Guárdelo para reensamblarlo.
5. Use guantes. Utilice una mano para agarrar el ensamblaje de la bobina con el fin de estabilizarlo y utilice la otra mano para agarrar una llave de tubo o una llave de impacto de 14 mm (no incluidas) con el fin de aflojar la tuerca en el **SENTIDO DE LAS AGUJAS DEL RELOJ** (Fig. 18).
6. Retire la tuerca, la arandela y el retenedor de la bobina del eje de transmisión (Fig. 17).

7. Utilice unos alicates de punta fina (no incluidos) para retirar el anillo de retención. Retire la cubierta superior y los dos bujes del eje de transmisión (Fig. 17).
8. Reemplace el cabezal de la orilladora por uno nuevo y móntelo siguiendo las instrucciones incluidas en el capítulo “**Instale el cabezal de la orilladora nuevo**”.

Instale el cabezal de la orilladora nuevo

1. Monte los dos bujes en el eje de transmisión.
2. Alinee la ranura plana ubicada en la cubierta superior con la superficie plana ubicada en el eje de transmisión y monte la cubierta superior en la posición correcta (Fig. 19).



3. Monte el anillo de retención, el retenedor de la bobina y la arandela en ese orden (Fig. 17). Utilice una llave de tubo o de impacto de 14 mm en la tuerca para apretarla **EN SENTIDO CONTRARIO AL DE LAS AGUJAS DEL RELOJ**.
4. Siguiendo los pasos 4 y 5 de la sección “**RECARGA DEL HILO DE CORTE**” de este manual para montar el ensamblaje de la cubierta inferior.
5. Siga las instrucciones de la sección “**REEMPLAZO DEL HILO**” de este manual para recargar el hilo de corte.
6. Arranque la herramienta para ver si la orilladora de hilo funciona normalmente. Si no funciona normalmente, reensámblela tal y como se ha descrito anteriormente.

AFILE LA HOJA DE CORTE DEL HILO

⚠ ADVERTENCIA: Protéjase siempre las manos usando guantes gruesos cuando realice cualquier mantenimiento en la hoja de corte del hilo.

1. Retire la batería.
2. Retire del protector la hoja de corte del hilo.
3. Fije la hoja en una prensa de tornillo.

4. Use protección ocular adecuada y guantes adecuados, y tenga cuidado de no cortarse.
5. Lime cuidadosamente los bordes de corte de la hoja con una lima de dientes finos o una piedra de afilar, manteniendo el ángulo original de los bordes de corte.
6. Reinstale la hoja en el protector y fíjela en la posición correcta con los dos tornillos.

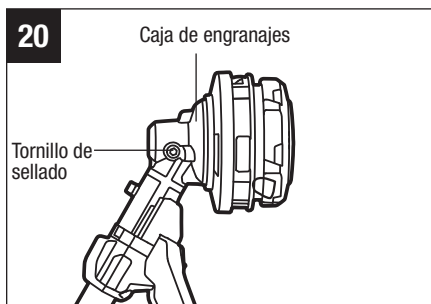
LUBRICACIÓN DE LOS ENGRANAJES DE TRANSMISIÓN

Los engranajes de transmisión ubicados en la caja de engranajes necesitan ser lubricados periódicamente con grasa para engranajes. Compruebe el nivel de grasa de la caja de engranajes aproximadamente cada 50 horas de funcionamiento retirando el tornillo de sellado ubicado en un lado de la caja de engranajes.

Si no se puede ver grasa en los lados del engranaje, siga los pasos que se indican a continuación para llenar la caja de engranajes con grasa para engranajes hasta $3/4$ de la capacidad.

No llene completamente la caja de engranajes de transmisión.

1. Sostenga la orilladora de hilo sobre uno de sus lados de manera que el tornillo de sellado esté orientado hacia arriba (Fig. 20).
2. Utilice la llave hexagonal proporcionada para aflojar y retirar el tornillo de sellado.
3. Utilice una jeringa de grasa (no incluida) para inyectar un poco de grasa en el agujero para el tornillo, teniendo cuidado de no exceder $3/4$ de la capacidad.
4. Apriete el tornillo de sellado después de la inyección.



LIMPIE LA UNIDAD

- Retire la batería.
- Retire todo el pasto que se pueda haber enrollado alrededor del eje de transmisión o del cabezal de la orilladora.
- Utilice un cepillo pequeño o una aspiradora pequeña para limpiar las aberturas de ventilación de la carcasa trasera.
- Mantenga las aberturas de ventilación libres de obstrucciones.
- Limpie la unidad utilizando un paño húmedo con un detergente suave.
- No utilice detergentes fuertes en la carcasa del plástico ni en la empuñadura. Tanto la carcasa como la empuñadura pueden resultar dañados por ciertos aceites aromáticos, tales como los de pino y limón, y por solventes tales como el queroseno. La humedad también puede causar un peligro de descargas eléctricas. Si hay humedad, elimínela con un paño suave y seco.

ALMACENAMIENTO DE LA UNIDAD

- Retire el paquete de batería del cabezal motriz.
- Limpie minuciosamente la herramienta antes de almacenarla.
- Almacene la unidad en un área seca y bien ventilada, cerrada con llave o en alto, fuera del alcance de los niños. No almacene la unidad sobre ni adyacente a fertilizantes, gasolina u otras sustancias químicas.

SOLUCIÓN DE PROBLEMAS

PROBLEMA	CAUSA	SOLUTION
La orilladora de hilo no arranca.	<ul style="list-style-type: none">■ El paquete de baterías no está bien ensamblado al cabezal motor.■ No hay contacto eléctrico entre el cabezal motor y el paquete de baterías.■ El paquete de baterías está agotado.■ La palanca de bloqueo y el gatillo no se presionaron simultáneamente.	<ul style="list-style-type: none">■ Instale el paquete de batería en el cabezal motriz.■ Retire la batería, compruebe los contactos y reinstale el paquete de batería hasta que se acople a presión en la posición correcta.■ Cargue el paquete de batería con los cargadores EGO indicados en el manual del cabezal motriz.■ Siga la sección “ARRANQUE/PARADA DEL CABEZAL MOTRIZ” del manual del PH1420/PH1420-FC/PH1400/PH1400-FC.

PROBLEMA	CAUSA	SOLUTION
<p>La orilladora de hilo se detiene mientras está cortando.</p>	<ul style="list-style-type: none"> ■ El protector no está montado en la orilladora, lo cual hace que el hilo de corte sea excesivamente largo y sobrecarga del motor. ■ Se está utilizando hilo de corte pesado. ■ El eje de transmisión o el cabezal de la orilladora están atorados con pasto. ■ El motor está sobrecalentado. ■ El paquete de batería o la orilladora de hilo están demasiado calientes. ■ El paquete de batería está desconectado de la herramienta. ■ El paquete de batería está agotado. 	<ul style="list-style-type: none"> ■ Retire el paquete de batería y monte el protector en la orilladora. ■ Utilice el hilo de corte de nylon recomendado con un diámetro de no más de 0,095 pulgadas (2,4 mm). ■ Pare la orilladora, retire la batería y retire el pasto del eje de transmisión y del cabezal de la orilladora. ■ Retire del pasto el cabezal de la orilladora. El motor se recuperará en cuanto se retire la carga de trabajo. Cuando corte, mueva el cabezal de la orilladora hacia dentro y hacia fuera del pasto que se vaya a cortar y retire no más de 8 pulgadas (20 cm) de longitud en un solo corte. ■ Deje que el paquete de batería o la orilladora se enfrien hasta que la temperatura descienda por debajo de 152 °F (67 °C). ■ Reinstale el paquete de batería. ■ Cargue el paquete de batería con los cargadores EGO indicados en el manual del cabezal motriz.

PROBLEMA	CAUSA	SOLUTION
El cabezal de la orilladora no hace avanzar el hilo.	<ul style="list-style-type: none"> ■ El eje de transmisión o el cabezal de la orilladora están atorados con pasto. ■ No hay suficiente hilo en la bobina. ■ El hilo está enredado en la bobina. ■ El hilo es demasiado corto. 	<ul style="list-style-type: none"> ■ Pare la orilladora, retire la batería y limpie el eje de transmisión y el cabezal de la orilladora. ■ Retire la batería y reemplace el hilo de corte; siga la sección "CARGA DEL HILO DE CORTE" de este manual. ■ Retire la batería, retire el hilo de la bobina y rebobínelo; siga la sección "CARGA DEL HILO DE CORTE" de este manual. ■ Retire la batería y jale manualmente los hilos a la vez que presiona hacia abajo y suelta alternadamente el cabezal de la orilladora.
El pasto se enrolla alrededor del cabezal de la orilladora y de la carcasa del motor.	<ul style="list-style-type: none"> ■ Se está cortando pasto alto al nivel del terreno. 	<ul style="list-style-type: none"> ■ Corte el pasto alto de arriba abajo, retirando no más de 8 pulgadas (20 cm) en cada pasada para evitar que el pasto se enrolle.
La hoja no está cortando el hilo.	<ul style="list-style-type: none"> ■ La hoja de corte del hilo ubicada en el borde del protector se ha desafilado. 	<ul style="list-style-type: none"> ■ Afíle la hoja de corte del hilo con una lima o reemplácela por una hoja nueva.
Hay grietas en el cabezal de la orilladora o el retenedor de la bobina se afloja de la base de la bobina.	<ul style="list-style-type: none"> ■ El cabezal de la orilladora está desgastado. ■ La tuerca que fija el cabezal de la orilladora está floja. 	<ul style="list-style-type: none"> ■ Reemplace inmediatamente el cabezal de la orilladora; siga la sección "REEMPLAZO DEL CABEZAL DE LA ORILLADORA" de este manual. ■ Abra el cabezal de la orilladora y utilice una llave de tubo o de impacto de 14 mm para apretar la tuerca.

PROBLEMA	CAUSA	SOLUTION
<p>El hilo de corte no se puede enrollar adecuadamente en el cabezal de la orilladora.</p>	<ul style="list-style-type: none"> ■ Se está utilizando un hilo de corte incorrecto. ■ Se han acumulado residuos de pasto o suciedad en el cabezal de la orilladora y han bloqueado el movimiento de la bobina de hilo. ■ El motor está sobrecalentado debido a la utilización repetida del sistema de enrollado del hilo. ■ Carga baja de la batería. 	<ul style="list-style-type: none"> ■ Le sugerimos que utilice hilo de corte de nylon original EGO, consulte la sección “Hilo de corte recomendado” de este manual. Si utiliza hilo de nylon EGO y el problema persiste, sírvase llamar a servicio al cliente de EGO. ■ Retire la batería, abra el cabezal de la orilladora y límpielo minuciosamente. ■ Deje que la orilladora de hilo funcione sin carga durante unos minutos para enfriar el motor y luego intente recargar el hilo. ■ Cargue la batería.
<p>El hilo de corte no se puede pasar a través del cabezal de la orilladora al insertar el hilo.</p>	<ul style="list-style-type: none"> ■ El hilo de corte está dividido o doblado en el extremo. ■ La cubierta inferior no se ha liberado hasta la posición correcta después de reinstalarla. 	<ul style="list-style-type: none"> ■ Corte el extremo desgastado del hilo y reinsertelo. ■ Instale el paquete de batería en la orilladora; presione el botón de carga del hilo para iniciar brevemente el proceso de carga de energía con el fin de reajustar la cubierta inferior.

GARANTÍA LIMITADA DE EGO

TÉRMINOS Y DURACIÓN DE LA PÓLIZA DE GARANTÍA

Chervon North America, Inc. (“Chervon North America”), proporciona la siguiente Garantía Limitada para los productos EGO al comprador original de productos EGO.

El período de garantía detallado de cada producto EGO se puede encontrar en línea en <http://egopowerplus.com/warranty-policy>.

Sírvase contactar a Servicio al Cliente de EGO llamando gratis al 1-855-EGO-5656 en cualquier momento en que tenga preguntas o reclamos de garantía, o si desea obtener una copia impresa de la garantía.

GARANTÍA LIMITADA DE SERVICIO

Los productos EGO están garantizados contra defectos de material o de fabricación a partir de la fecha de compra minorista original durante el período de garantía aplicable. Para cualquier reclamo de garantía presentado de manera adecuada y oportuna, si Chervon North America determina que un producto presenta algún defecto durante el período de garantía, dicho producto recibirá una reparación o un remplazo gratuitos, según lo determine Chervon North America.

CÓMO OBTENER SERVICIO

Para obtener servicio de garantía, dentro del período de garantía aplicable, sírvase contactar a servicio al cliente de EGO llamando gratis al **1-855-EGO-5656**. Cuando solicite servicio de garantía, deberá presentar el recibo de venta fechado original. Se seleccionará un centro de servicio autorizado para evaluar y reparar el producto si el mismo presenta algún defecto de acuerdo con los términos establecidos en la garantía. Cuando lleve su producto al centro de servicio autorizado, es posible que se requiera un pequeño depósito cuando deje allí su herramienta. Este depósito es reembolsable cuando se considere que el servicio de reparaciones esté cubierto bajo garantía.

LIMITACIONES Y EXCLUSIONES ADICIONALES

Esta garantía limitada se aplica solo al comprador original que realice la compra a un minorista EGO autorizado y no es transferible. Los productos EGO no serán considerados defectuosos, y esta garantía no se aplicará, en los casos en que el defecto por el que se presente el reclamo sea atribuible a cualquier causa que no sean los defectos definidos anteriormente en este documento. Esta garantía quedará anulada si el producto se ha utilizado para fines de alquiler. Esta garantía no se aplicará a daños causados por accidente, abuso, uso incorrecto, alteración, modificación, reparación no autorizada, contacto con líquidos, incendio, terremoto u otra causa externa; utilización del producto sin seguir las instrucciones, especificaciones o pautas de EGO; o no hacer servicio de ajustes y reparaciones o no mantener adecuadamente el producto. Esta garantía tampoco se aplica a los daños cosméticos, incluyendo, pero sin limitarse a ello, rasguñaduras o abolladuras; defectos causados por el desgaste por el uso normal o defectos que de alguna otra manera se deban al envejecimiento normal del producto.

ESTA GARANTÍA EXPRESA SE DA EN LUGAR DE TODAS LAS DEMÁS GARANTÍAS, EXPRESAS O IMPLÍCITAS, INCLUYENDO, PERO SIN LIMITARSE A ELLO, TODAS LAS GARANTÍAS DE COMERCIABILIDAD O IDONEIDAD PARA UN PROPÓSITO O USO ESPECÍFICO, LAS CUALES QUEDAN EXCLUIDAS. Todas las garantías implícitas, incluyendo las garantías de comerciabilidad o idoneidad para un propósito específico, que no se puedan excluir bajo la ley estatal, están limitadas al período de garantía aplicable definido al comienzo de este artículo. El remedio único y exclusivo en conexión con la compra, instalación, uso y/o rendimiento de los productos EGO es la reparación o el reemplazo del producto tal y como lo determine Chervon North America. La responsabilidad máxima de North America no excederá en ningún caso el precio de compra pagado por el producto. CHERVON NORTH AMERICA NO SERÁ RESPONSABLE ANTE EL USUARIO NI ANTE NADIE MÁS POR DAÑOS EMERGENTES, INCIDENTALES, ESPECIALES, EJEMPLARES, INDIRECTOS O PUNITIVOS QUE SURJAN DEL USO DE LOS PRODUCTOS, INCLUYENDO, PERO SIN LIMITARSE A ELLO, LESIONES CORPORALES, MUERTE, DAÑOS MATERIALES, GANANCIAS PERDIDAS U OTROS PERJUICIOS ECONÓMICOS. Esta garantía le confiere a usted derechos legales específicos y es posible que usted tenga también otros derechos que varían de un estado a otro. Algunos estados no permiten limitaciones en cuanto a la duración de una garantía implícita, la exclusión o limitación de los daños incidentales o emergentes, o las limitaciones al tiempo para emprender ciertas acciones legales, por lo que las limitaciones contenidas en el presente documento no se aplican a los consumidores individuales de esos estados.



Esta garantía está sujeta a la ley de Michigan y se interpretará de acuerdo con dicha ley, con independencia de los principios sobre conflictos de leyes. No se emprenderá ninguna acción legal contra Chervon North America a menos que se presente dentro del plazo de un (1) año después de que se tenga conocimiento de la base de dicha acción legal o de la cual se debiera haber tenido conocimiento con el ejercicio de una diligencia razonable. Se considerará que se ha renunciado a cualquier acción legal que no se presente oportunamente.

Para obtener servicio al cliente, contáctenos llamando gratis al **1-855-EGO-5656** o en **EGOPOWERPLUS.COM**.

EGO Customer Service,
769 Seward Ave. NW, Suite 102,
Grand Rapids, Michigan 49504.

09/2023

116

ACCESORIO PARA ORILLADORA DE HILO — STA1600/STA1600-FC